



US00D362066S

United States Patent [19]

[11] Patent Number: **Des. 362,066**

Petruschke et al.

[45] Date of Patent: **** Sep. 5, 1995**

[54] **DISPOSABLE SURGICAL TROCAR**

[56] **References Cited**

[75] Inventors: **Haans K. Petruschke**, Kirtland; **Scott C. Marlow**, Chesterland, both of Ohio

U.S. PATENT DOCUMENTS

D. 349,574	8/1994	Metcalf et al.	D24/146
5,030,206	7/1991	Lander	604/164
5,147,316	9/1992	Castillenti	604/164
5,295,993	3/1994	Green	604/264 X
5,318,585	6/1994	Guy	604/164 X
5,356,421	10/1994	Castro	604/164 X
5,383,861	1/1995	Hempel et al.	604/164 X
5,387,196	2/1995	Green et al.	606/167 X

[73] Assignee: **Marlow Surgical Technologies, Inc.**, Willoughby, Ohio

Primary Examiner—Louis S. Zarfaz
Assistant Examiner—I. Simmons
Attorney, Agent, or Firm—Thompson, Hine and Flory

[**] Term: **14 Years**

[21] Appl. No.: **30,683**

[57] CLAIM

The ornamental design for a disposable surgical trocar, as shown and described.

[22] Filed: **Nov. 4, 1994**

DESCRIPTION

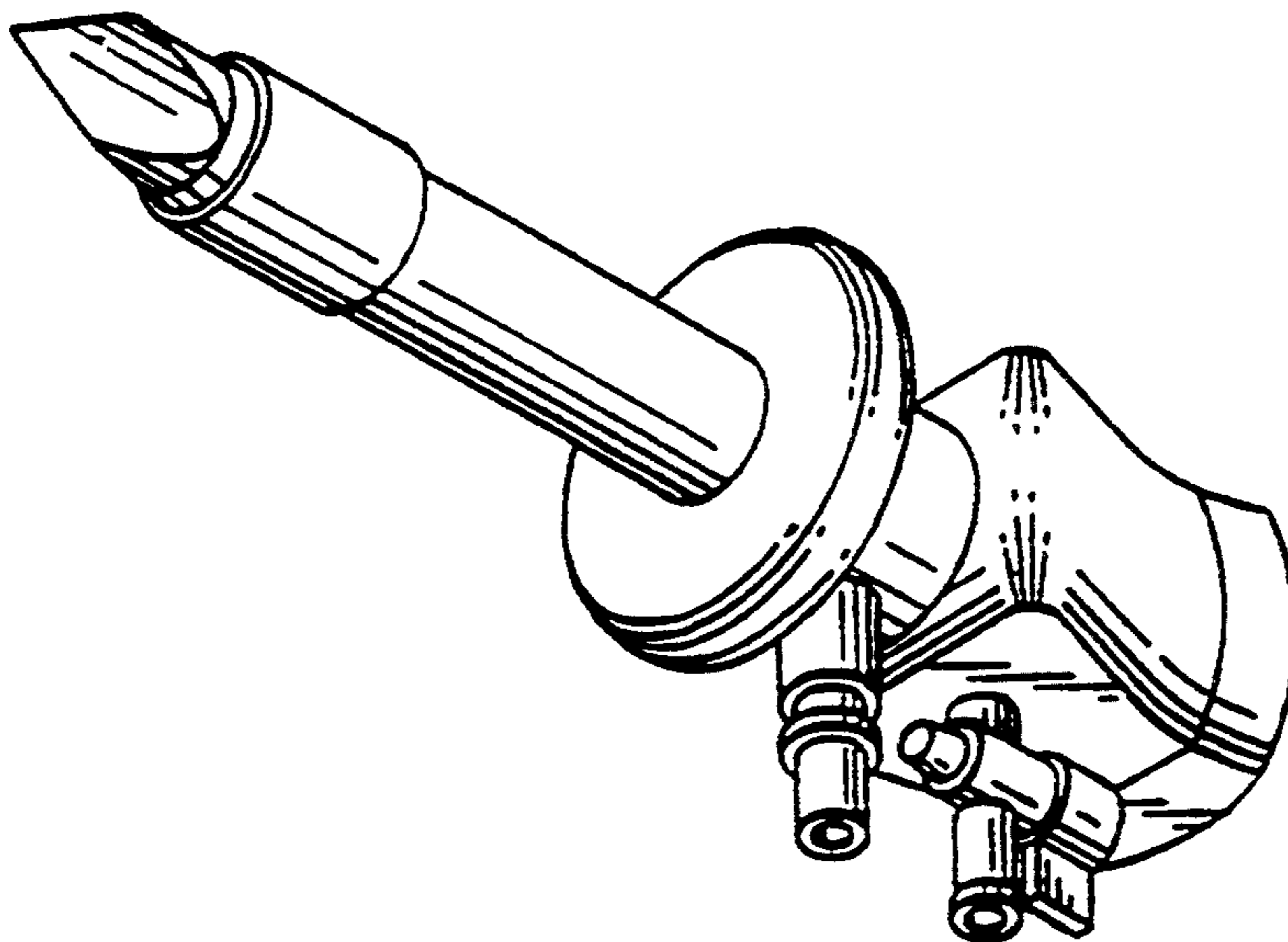
Related U.S. Application Data

[62] Division of Ser. No. 2,133, Nov. 30, 1992, Pat. No. Des. 358,209.

[52] U.S. Cl. **D24/146; D24/147**

[58] Field of Search **D24/146, 112; 604/164, 604/264, 158, 184, 165, 272, 265, 166, 168, 165, 159, 185; 128/753, 754**

FIG. 1 is a bottom left perspective view of a disposable surgical trocar, showing our new design; FIG. 2 is a rear elevational view thereof; FIG. 3 is a left side elevational view thereof, the right side elevational view being identical thereto; FIG. 4 is a front elevational view thereof; FIG. 5 is a bottom plan view thereof; and, FIG. 6 is a top plan view thereof.



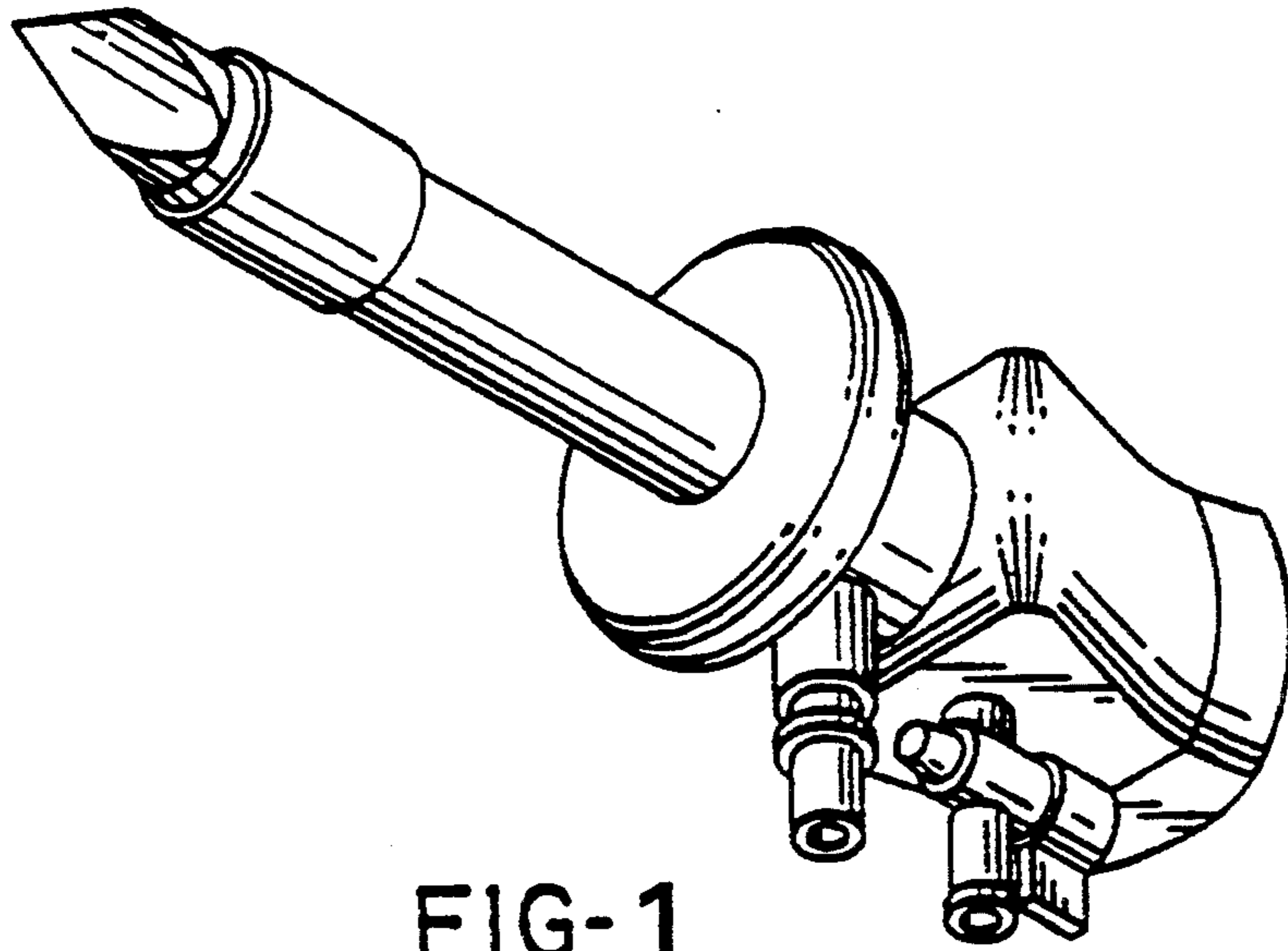


FIG-1

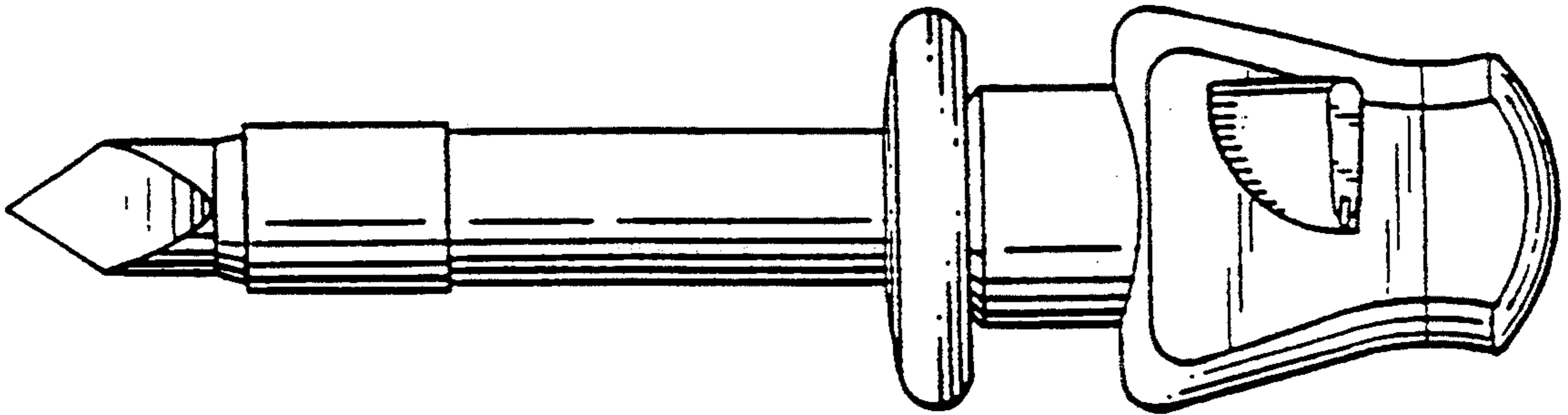


FIG-2

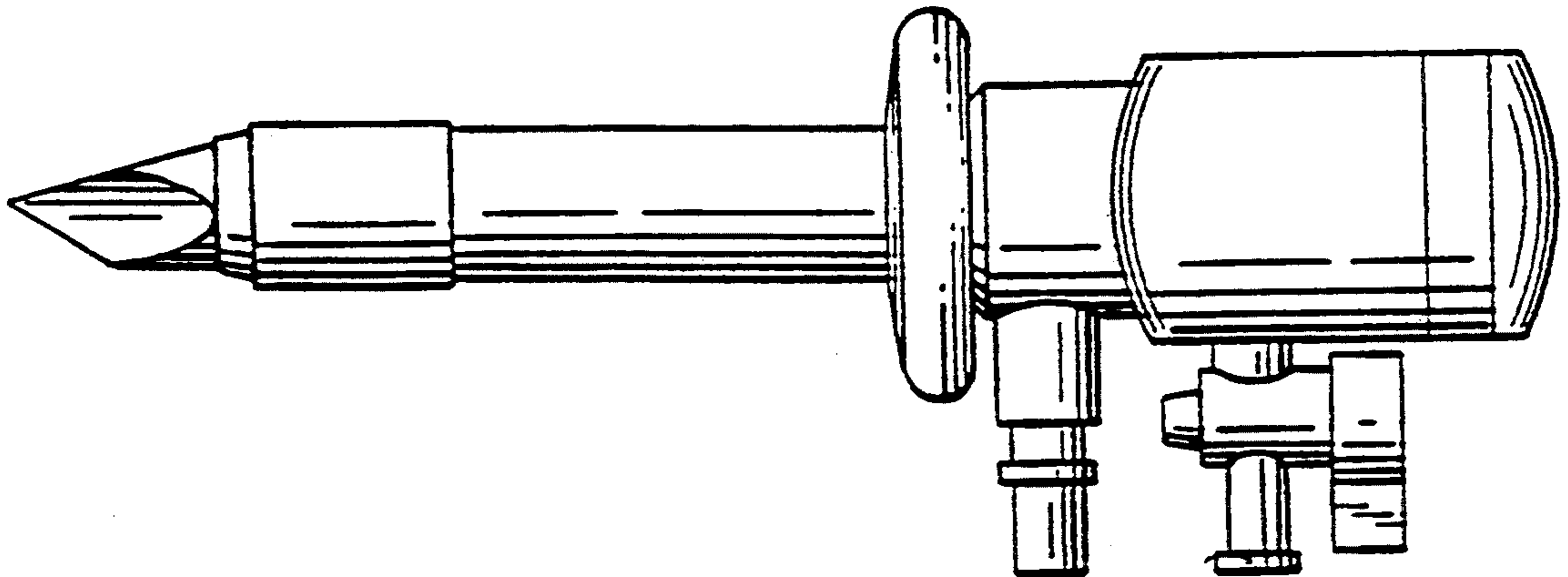


FIG-3

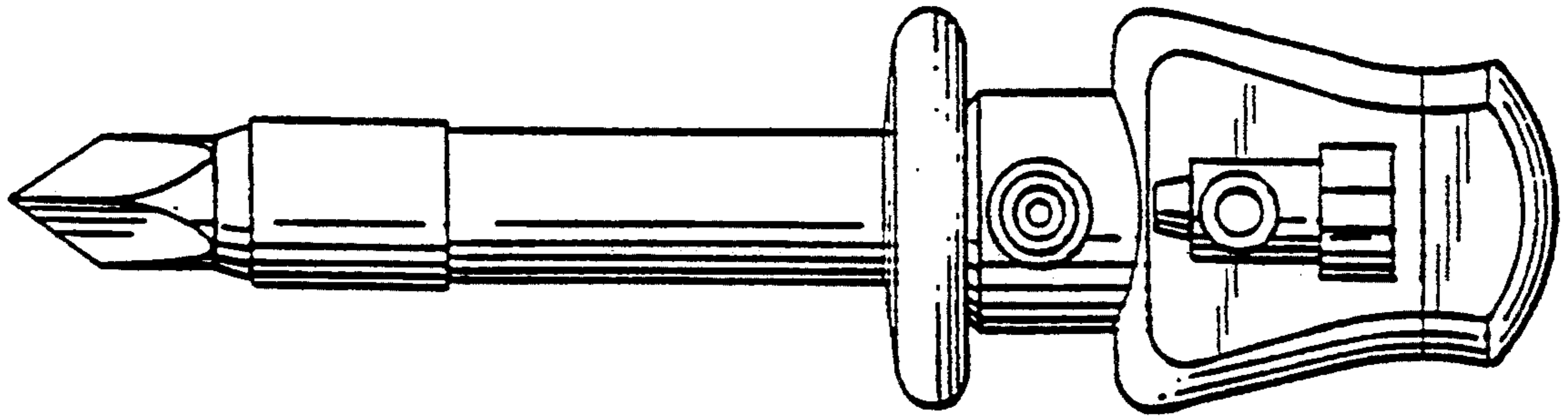


FIG-4

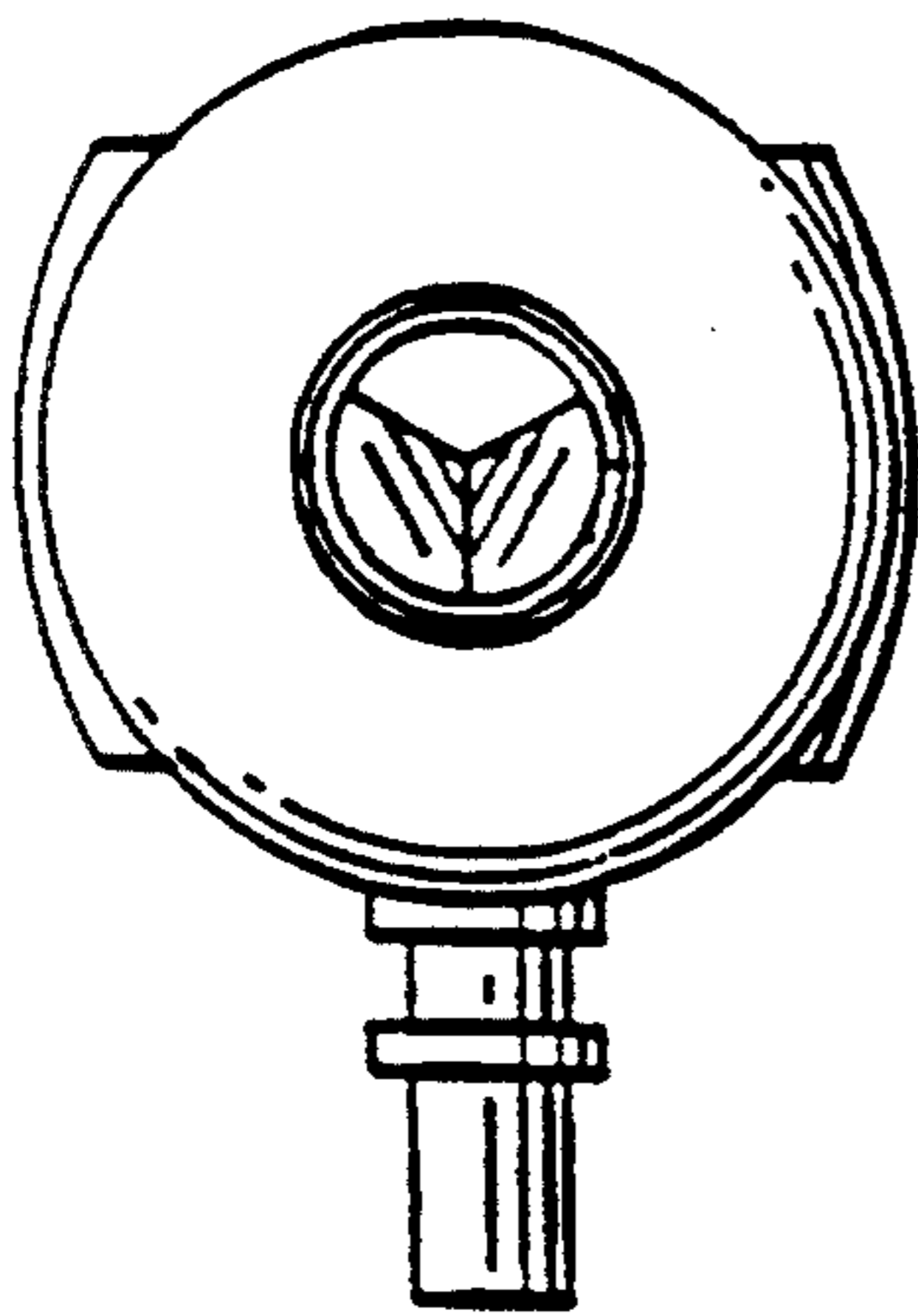


FIG-5

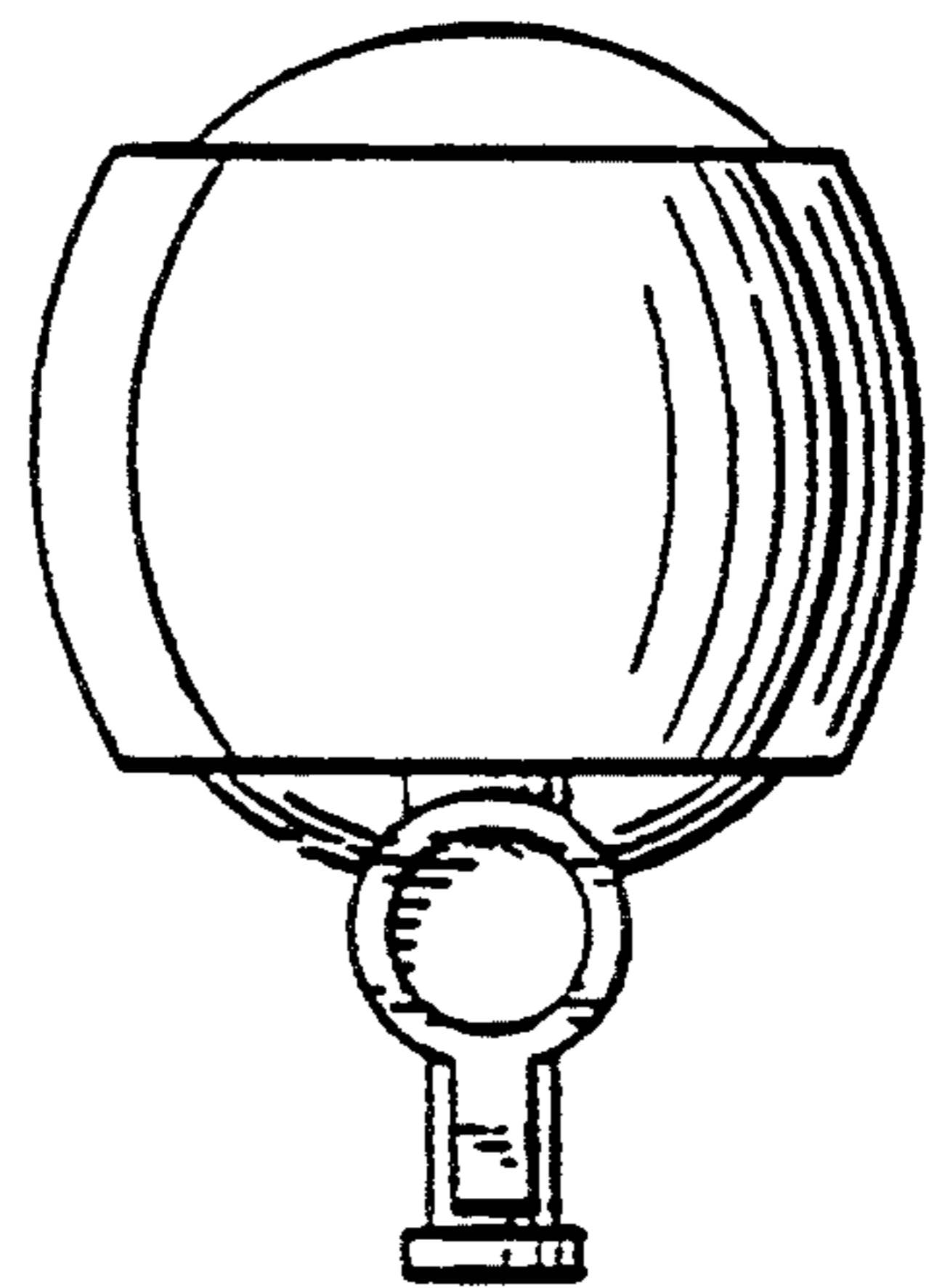


FIG-6