



US00D362061S

United States Patent [19]

[11] Patent Number: **Des. 362,061**

McGinnis et al.

[45] Date of Patent: **** Sep. 5, 1995**

[54] **RESPIRATORY MASK BODY**

[75] Inventors: **Gerald E. McGinnis**, Export; **Patrick M. Handke**, Monroeville; **Andrew Serowski**, Pittsburgh; **Doris M. Wong**, Trafford, all of Pa.

[73] Assignee: **Respironics, Inc.**, Murrysville, Pa.

[**] Term: **14 Years**

[21] Appl. No.: **17,739**

[22] Filed: **Jan. 21, 1994**

[52] U.S. Cl. **D24/110.4**

[58] Field of Search **D24/110, 110.4;**
128/206.12, 206.17, 206.19, 205.25, 200.27,
206.24

[56] **References Cited**

U.S. PATENT DOCUMENTS

D. 293,613	1/1988	Wingler	D24/110.4
D. 302,746	8/1989	Shirley	D24/110.4
D. 321,419	11/1991	Wallace	D24/110.4
D. 323,908	2/1992	Hollister et al.	D24/110.4
4,799,477	1/1989	Lewis	128/206.24

Primary Examiner—Stella Reid

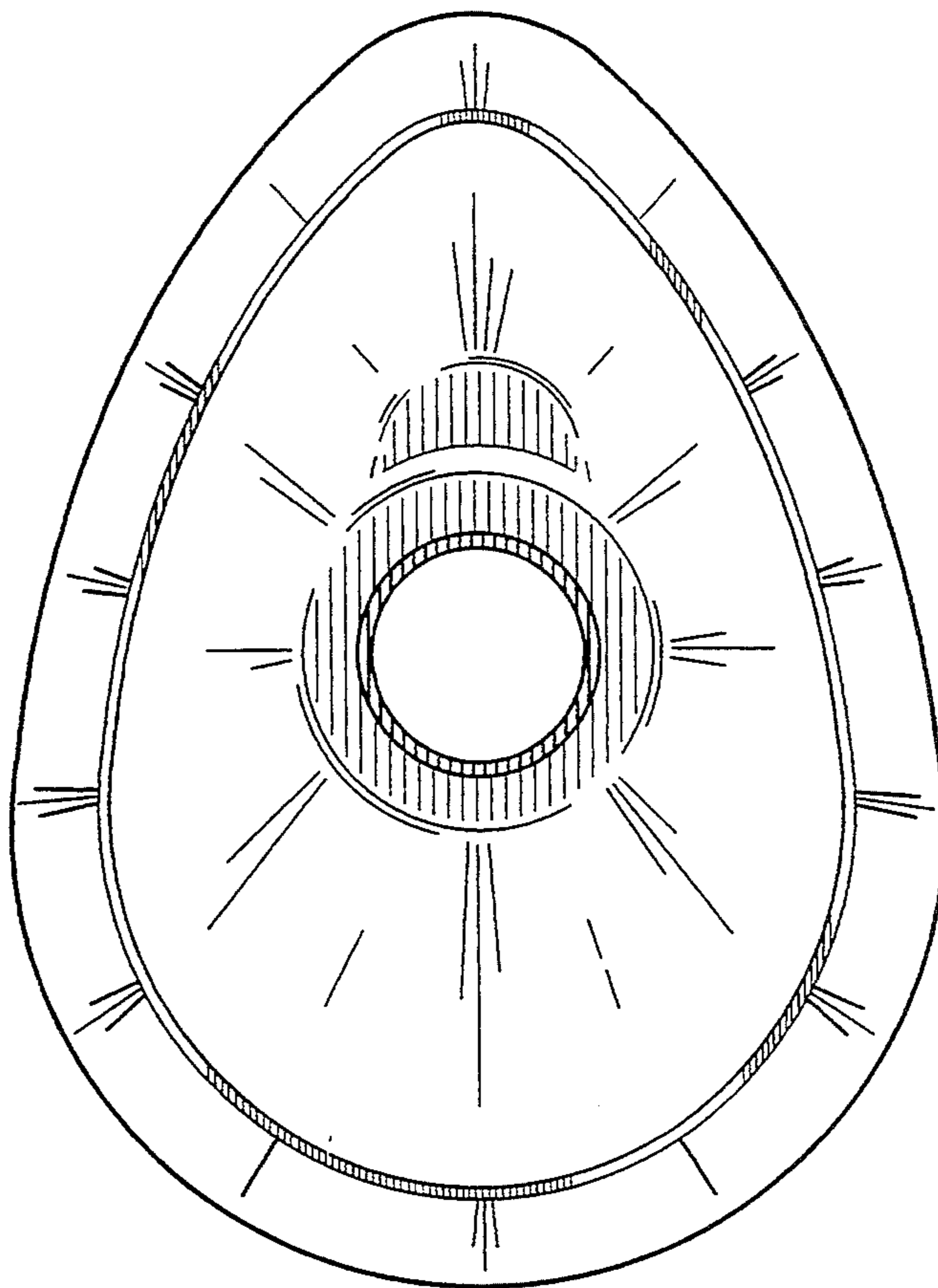
Attorney, Agent, or Firm—Reed Smith Shaw & McClay

[57] **CLAIM**

The ornamental design for a respiratory mask body, as shown and described.

DESCRIPTION

FIG. 1 is front elevational view of a respiratory mask body showing a first embodiment of my new design; FIG. 2 is a bottom plan view of the respiratory mask body shown in FIG. 1; FIG. 3 is a top plan view of the respiratory mask body shown in FIG. 1; FIG. 4 is a rear elevational view of the respiratory mask body shown in FIG. 1; FIG. 5 is a right elevational view of the respiratory mask body shown in FIG. 1, the left side view of being a reverse image thereof; FIG. 6 is a front elevational view of the respiratory mask body showing a second embodiment of my new design; FIG. 7 is a bottom plan view of the respiratory mask body shown in FIG. 6; FIG. 8 is a top plan view of the respiratory mask body shown in FIG. 6; FIG. 9 is a rear elevational view of the respiratory mask body shown in FIG. 6; and, FIG. 10 is a right side elevation view of the respiratory mask body shown in FIG. 6, the left side view being a reverse image thereof.



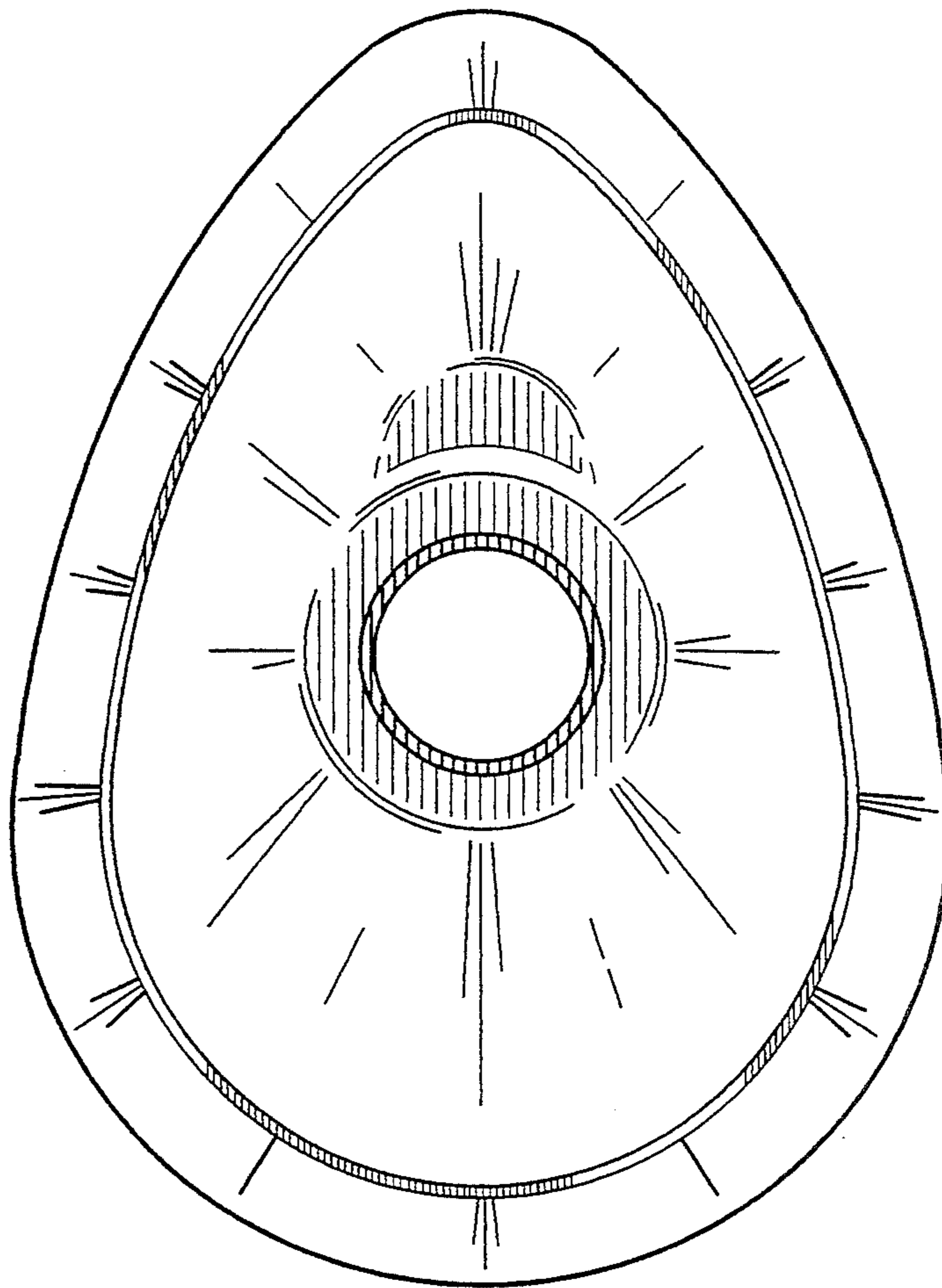


FIG. 1

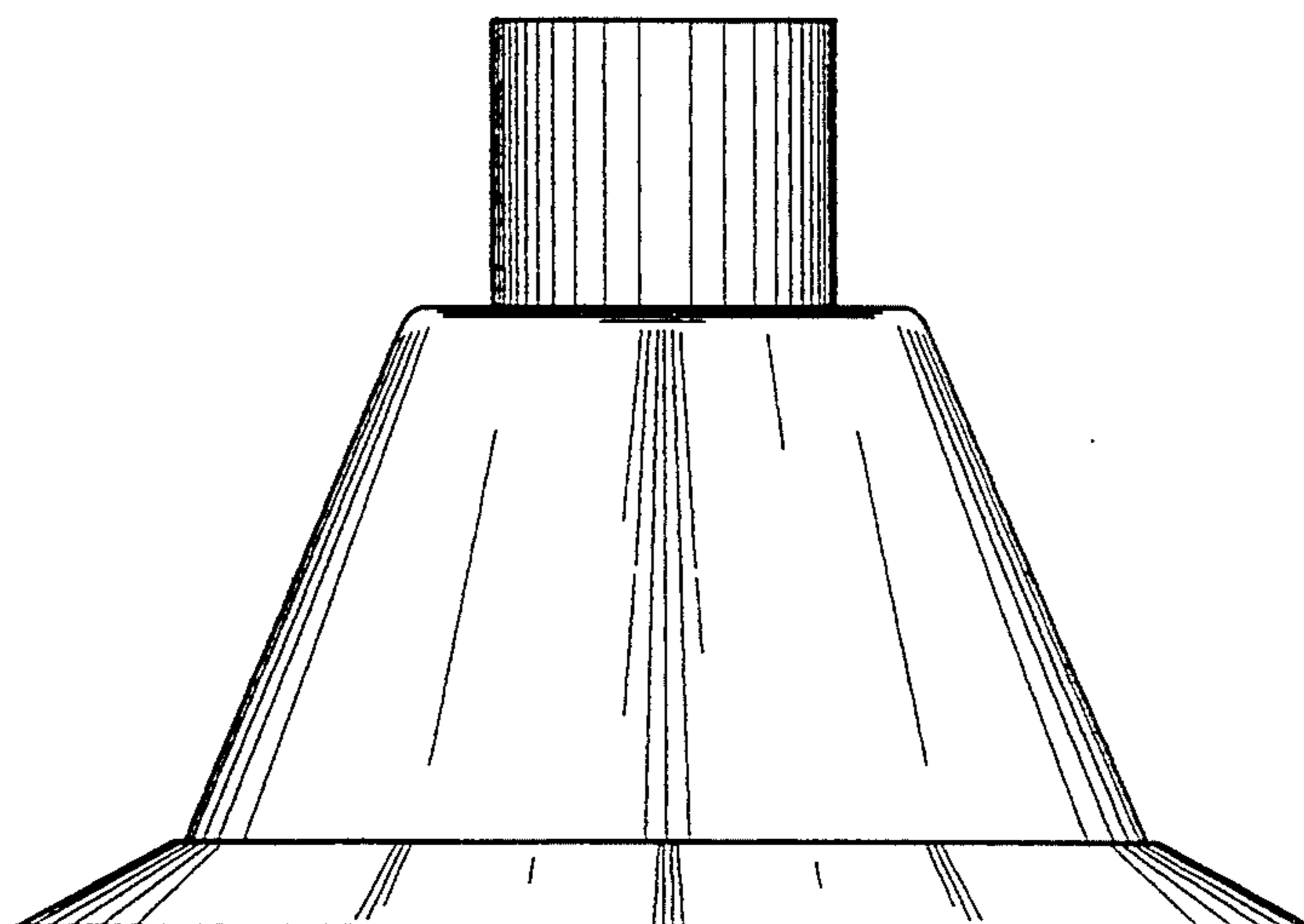


FIG. 2

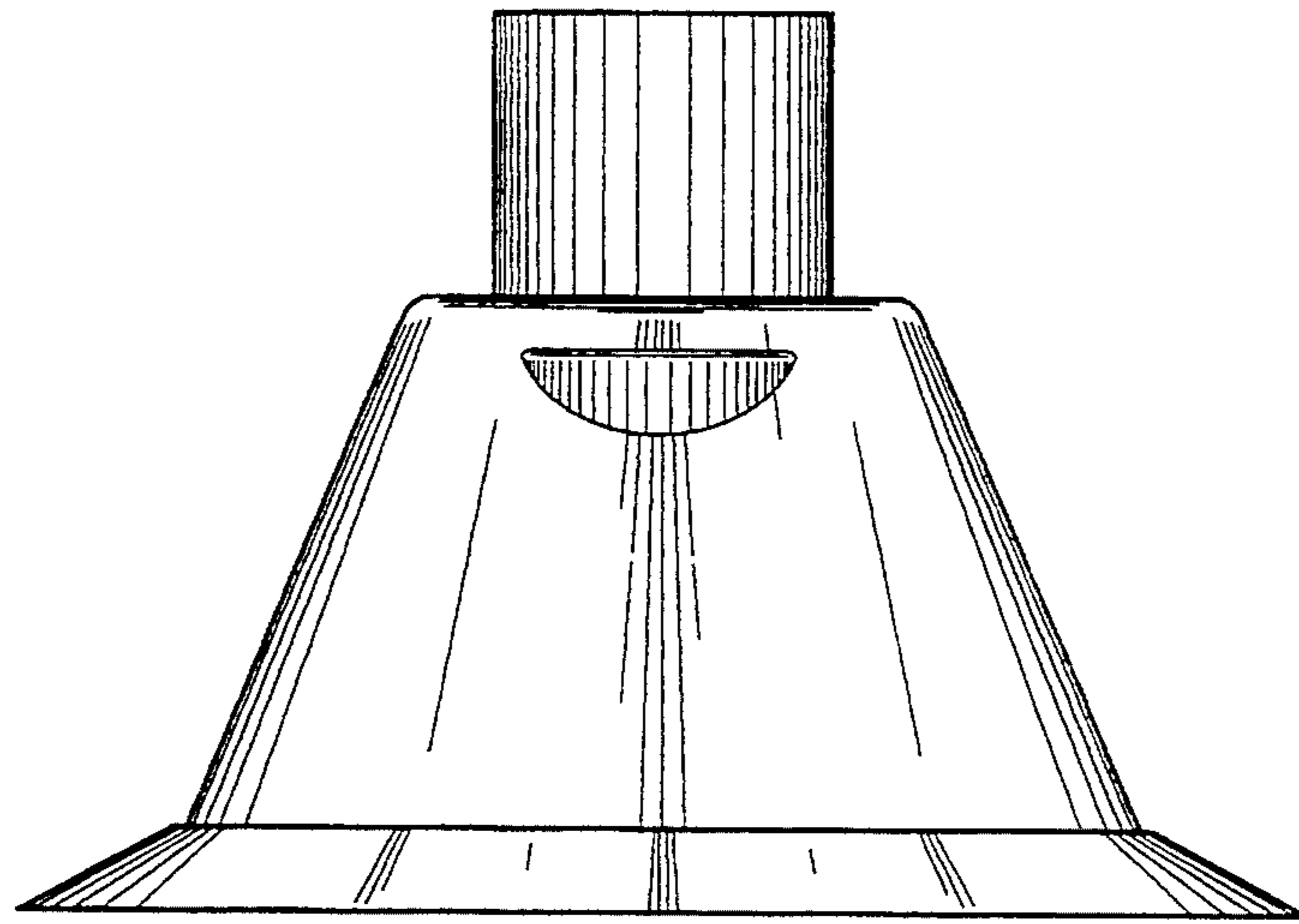


FIG. 3

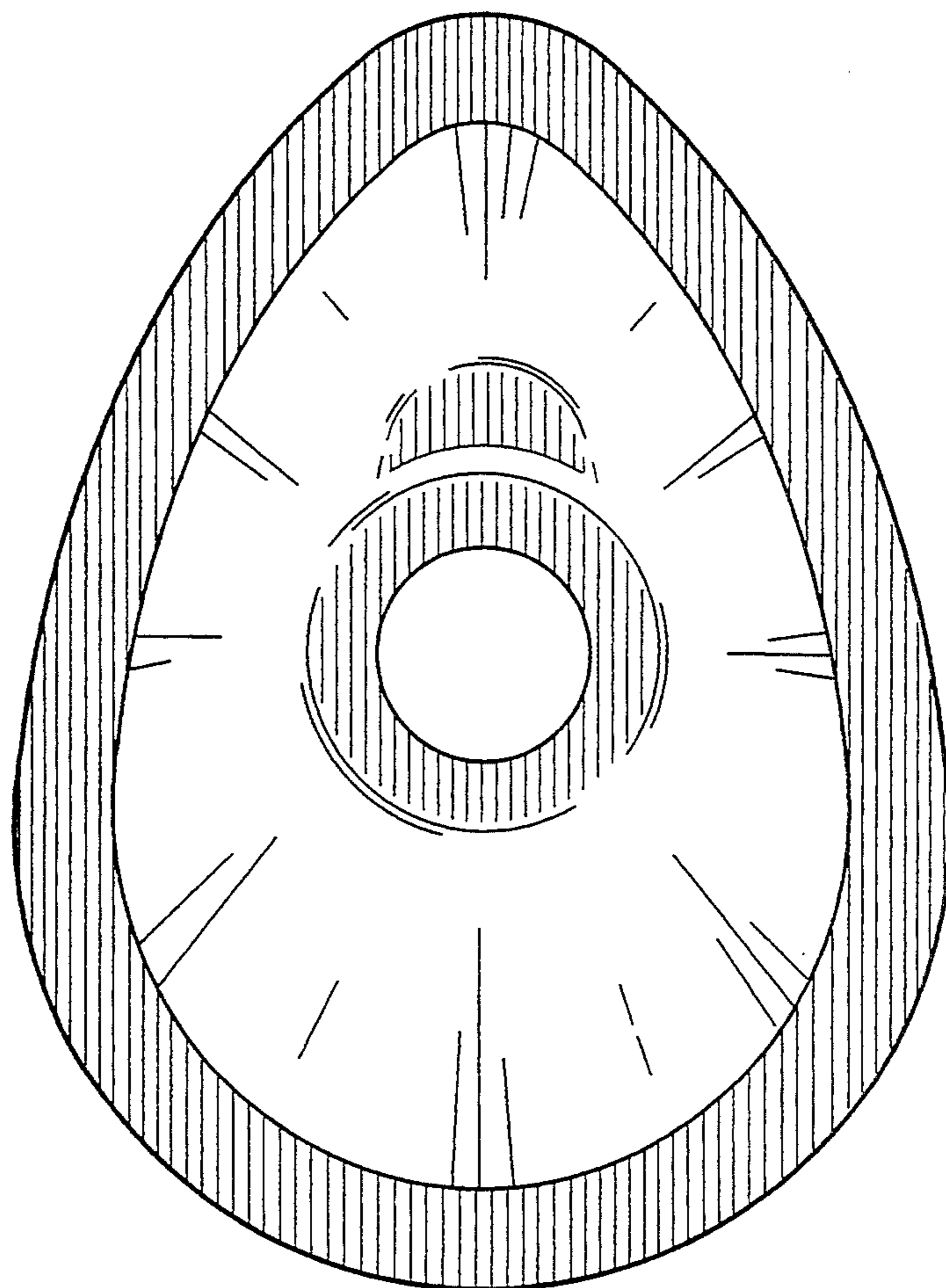


FIG. 4

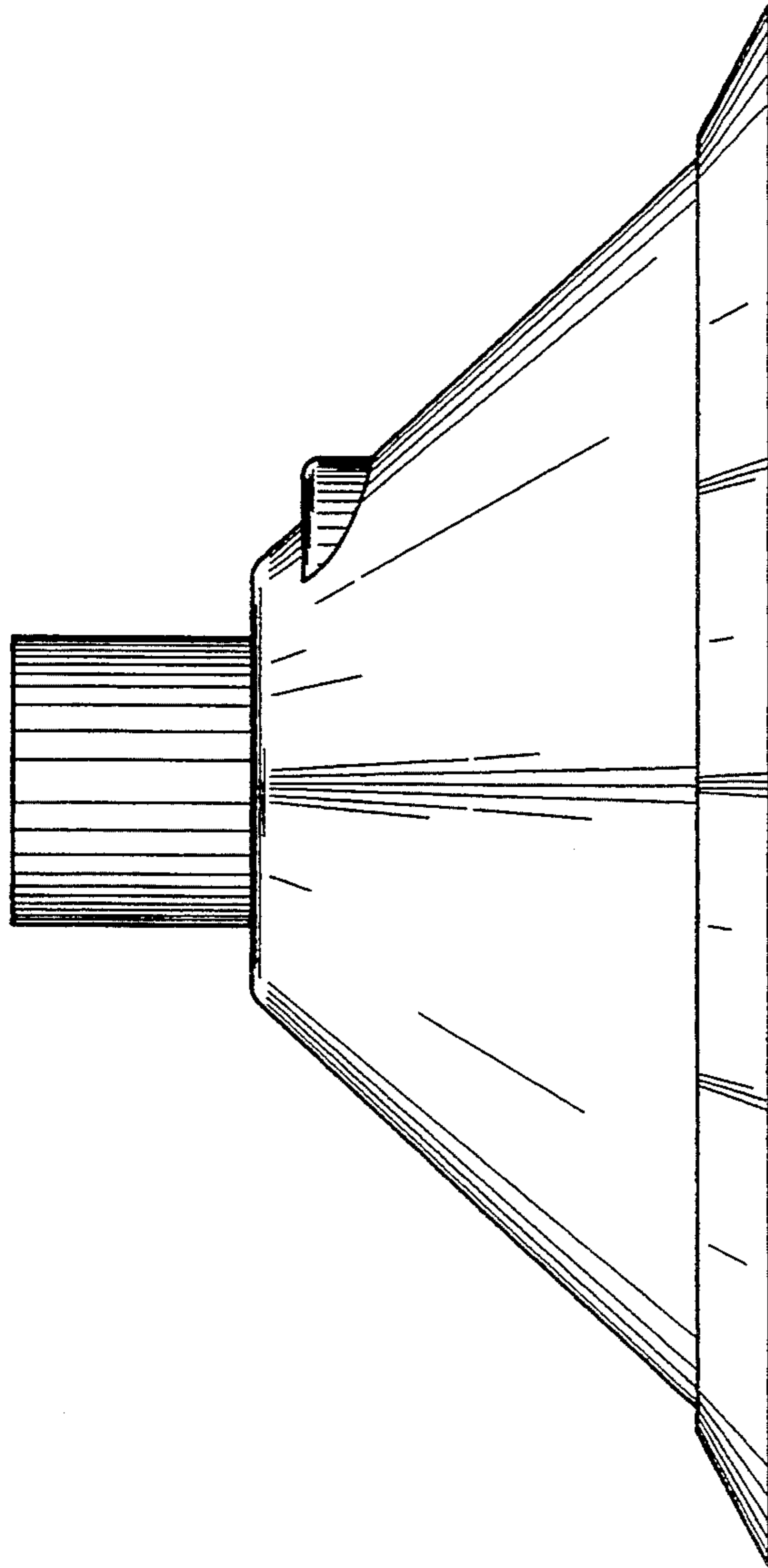


FIG. 5

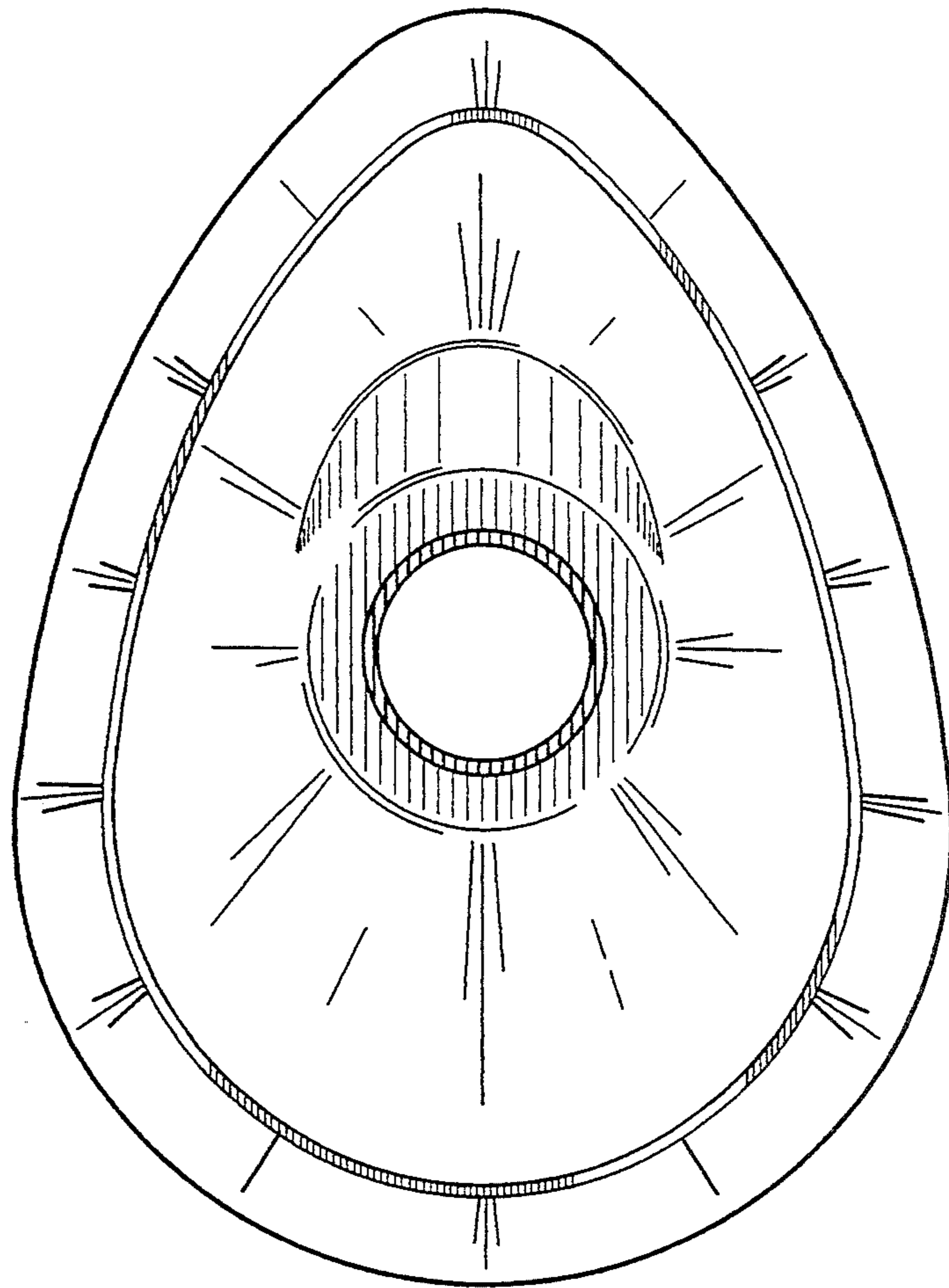


FIG. 6

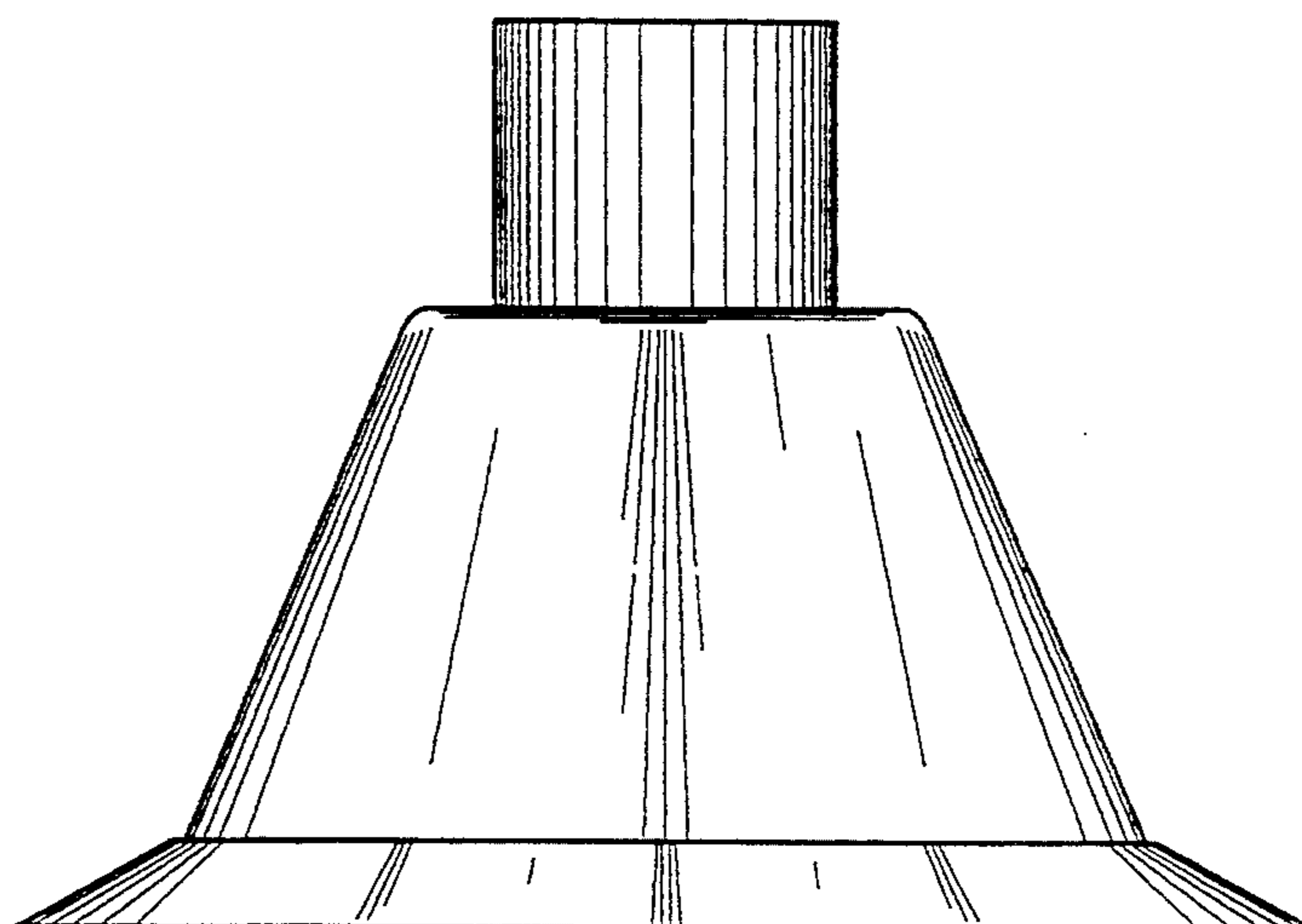


FIG. 7

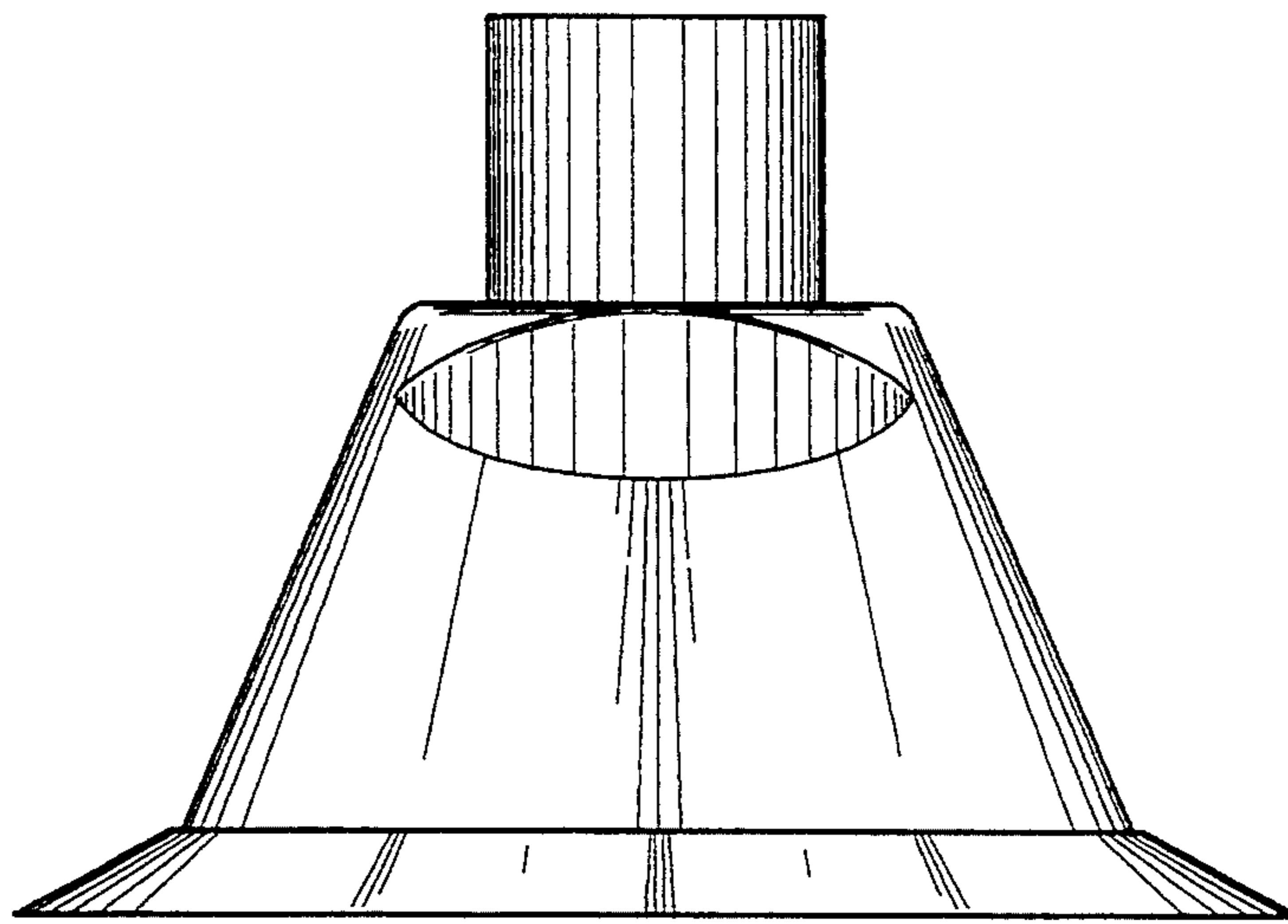


FIG. 8

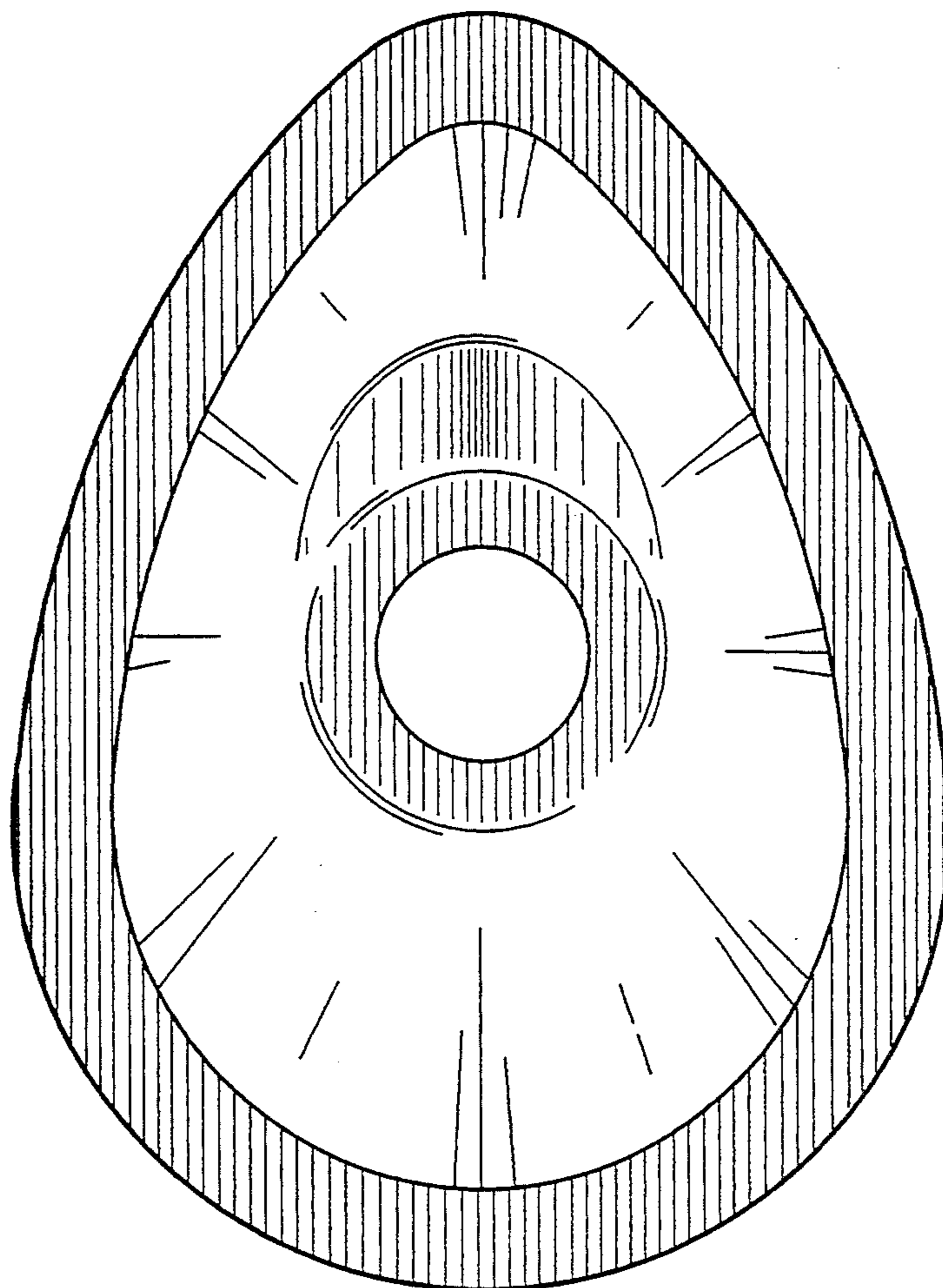


FIG. 9

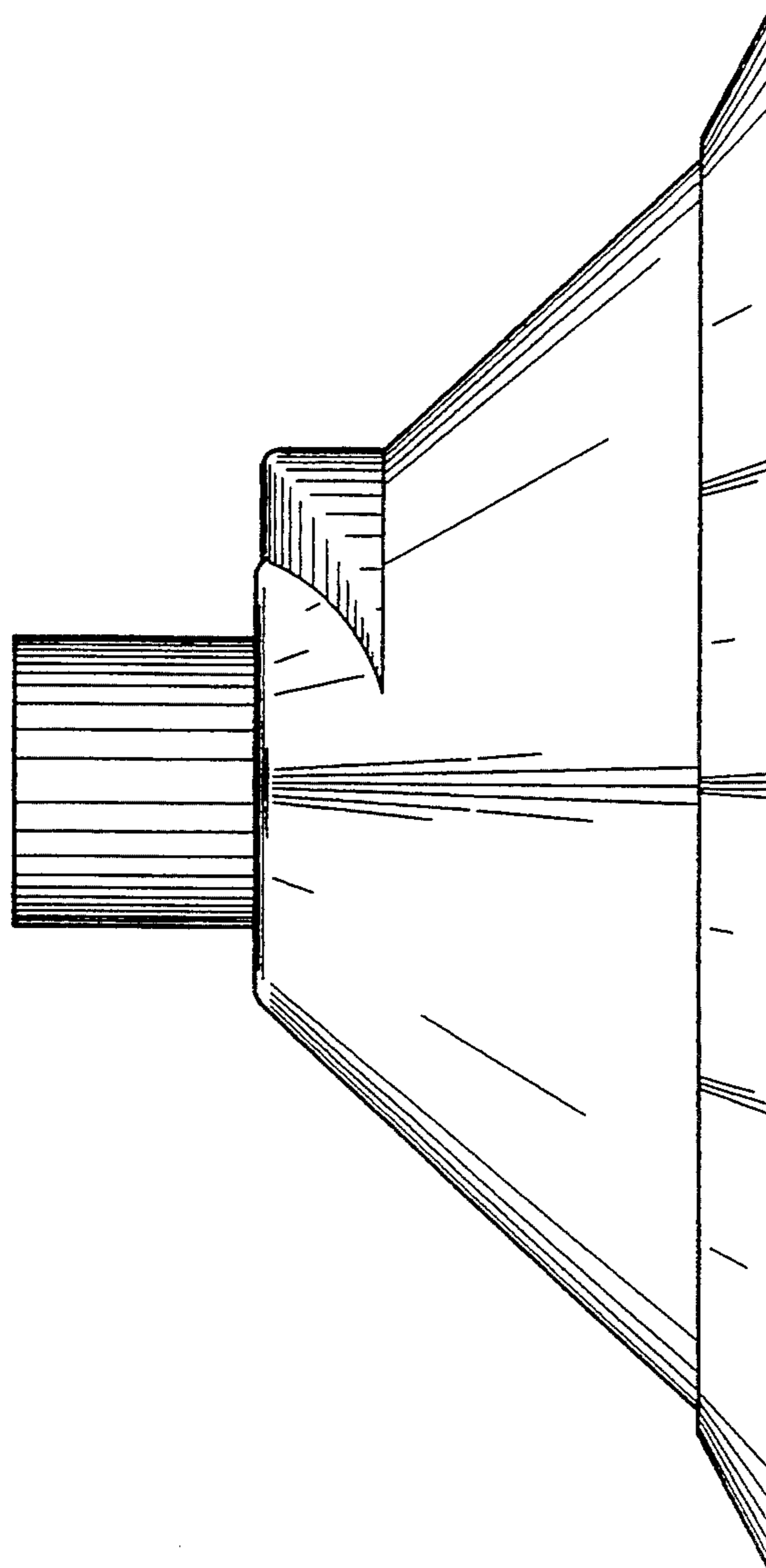


FIG. 10