



US00D362059S

United States Patent [19]

[11] Patent Number: **Des. 362,059**

Wojcik

[45] Date of Patent: **** Sep. 5, 1995**

[54] REGISTER COVER

[76] Inventor: **William Wojcik**, 1430-C South Mint St., Charlotte, N.C. 28203

[**] Term: **14 Years**

[21] Appl. No.: **20,059**

[22] Filed: **Mar. 18, 1994**

[52] U.S. Cl. **D23/393; D23/388; D25/47**

[58] Field of Search **D23/388, 393; D25/152, D25/153, 156, 47; 52/473, 507; 49/371, 74.1; 454/284, 289**

[56] **References Cited**

U.S. PATENT DOCUMENTS

D. 304,497	11/1989	Briggs, Sr.	D25/47
1,404,161	1/1992	Page	52/473
5,163,871	11/1992	Huibregtse et al.	454/289
5,187,896	2/1993	Ross	49/74.1
5,339,591	8/1994	Underdahl	52/473

FOREIGN PATENT DOCUMENTS

534075 12/1956 Canada 454/309

Primary Examiner—Lisa P. Lichtenstein
Attorney, Agent, or Firm—Clifton Ted Hunt

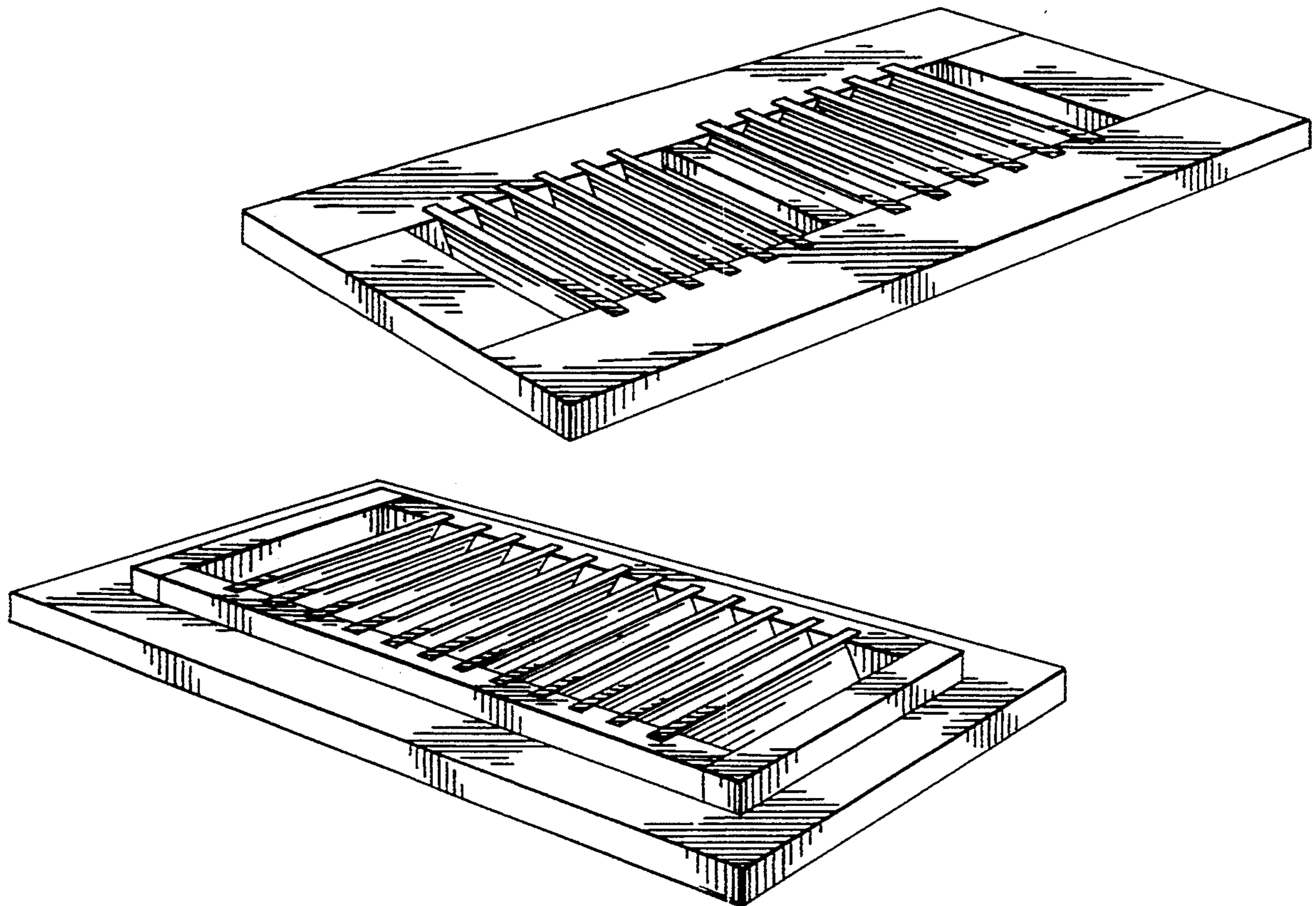
[57] **CLAIM**

The ornamental design for a register cover, as shown and described.

DESCRIPTION

FIG. 1 is a perspective view looking at the top, one end and one side of the register cover;
 FIG. 2 is a perspective view looking at the bottom, one end and one side of the unit shown in FIG. 1;
 FIG. 3 is a top plan view of the unit shown in FIG. 1;
 FIG. 4 is a side view looking at the side opposite that shown in FIG. 2;
 FIG. 5 is an end view looking at the end opposite that shown in FIG. 2;
 FIG. 6 is an inverse plan view of the unit shown in FIG. 1;
 FIG. 7 is a perspective view looking at the top, one end and one side of the register cover, showing a second embodiment of my new design;
 FIG. 8 is a perspective view looking at the bottom, one end and one side of the unit shown in FIG. 7;
 FIG. 9 is a top plan view of the unit shown in FIG. 7;
 FIG. 10 is a side view looking at the side opposite that shown in FIG. 8;
 FIG. 11 is an end view looking at the end opposite that shown in FIG. 8; and,
 FIG. 12 is an inverse plan view of the unit shown in FIG. 7.

The pattern in FIGS. 7-12 represents marble.



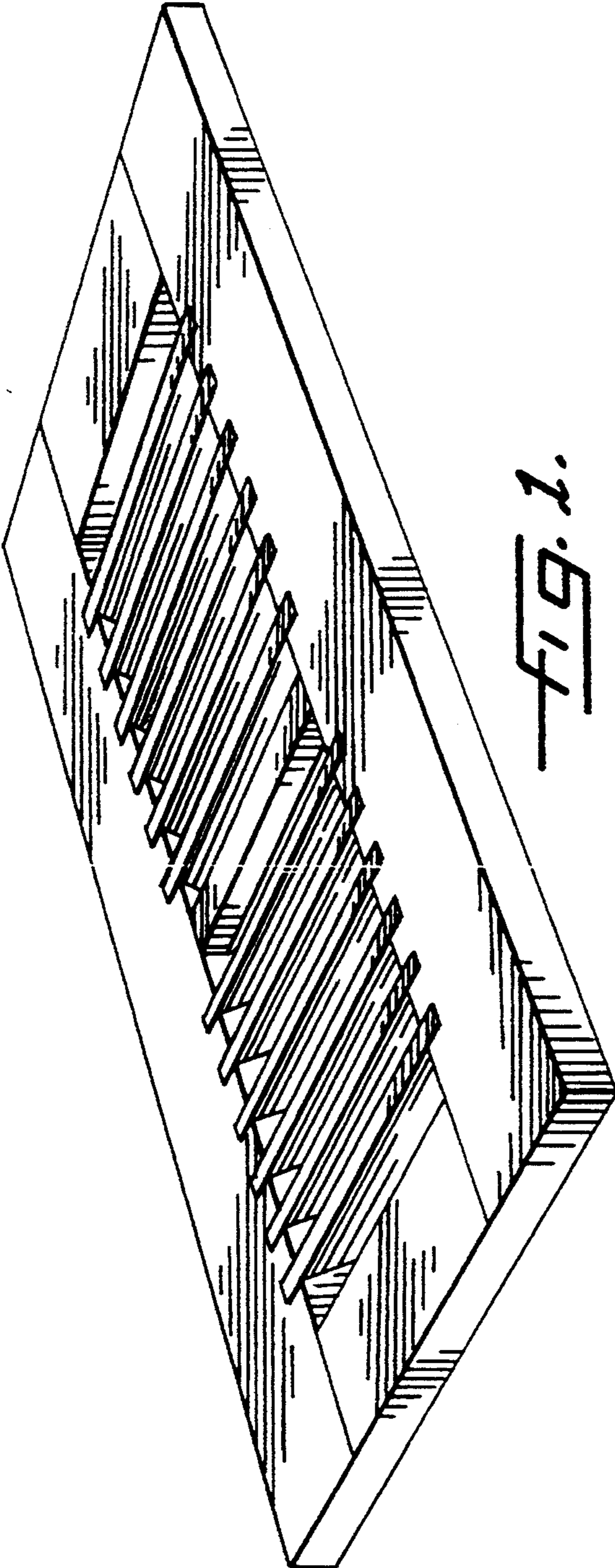


FIG. 1.

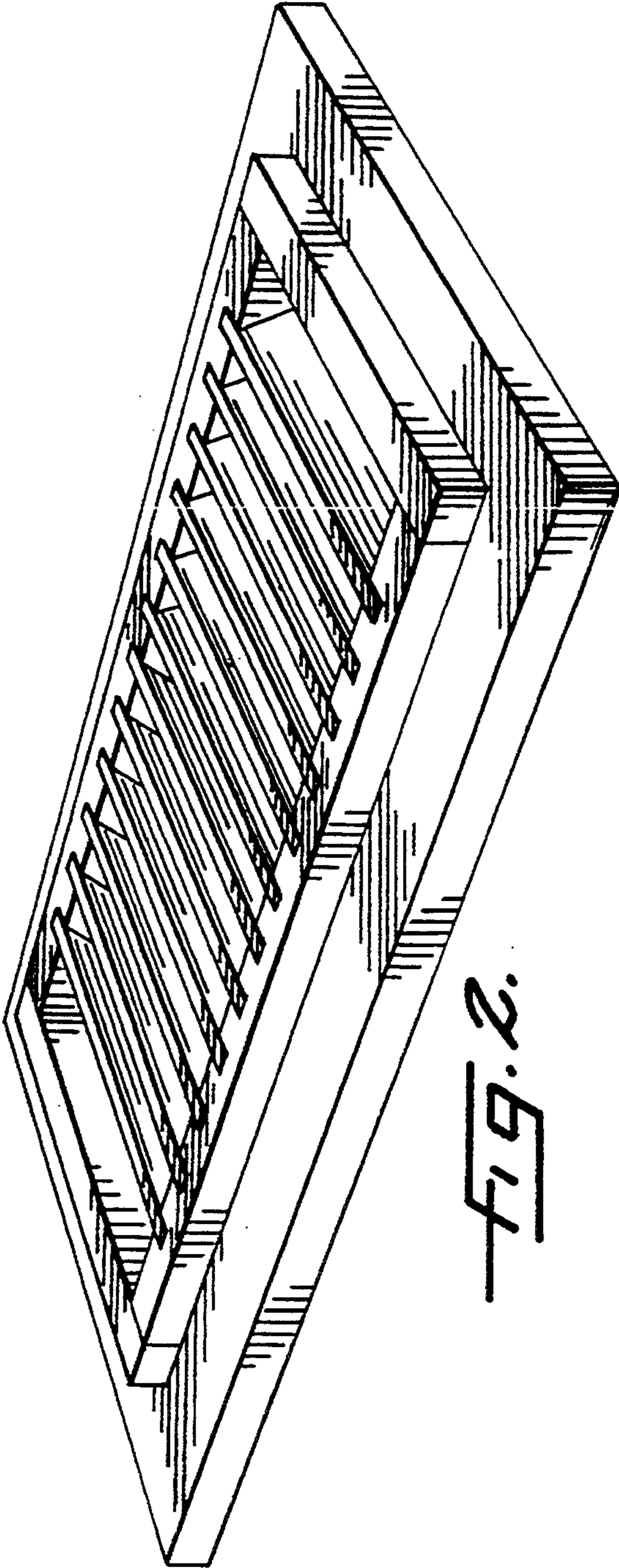


FIG. 2.

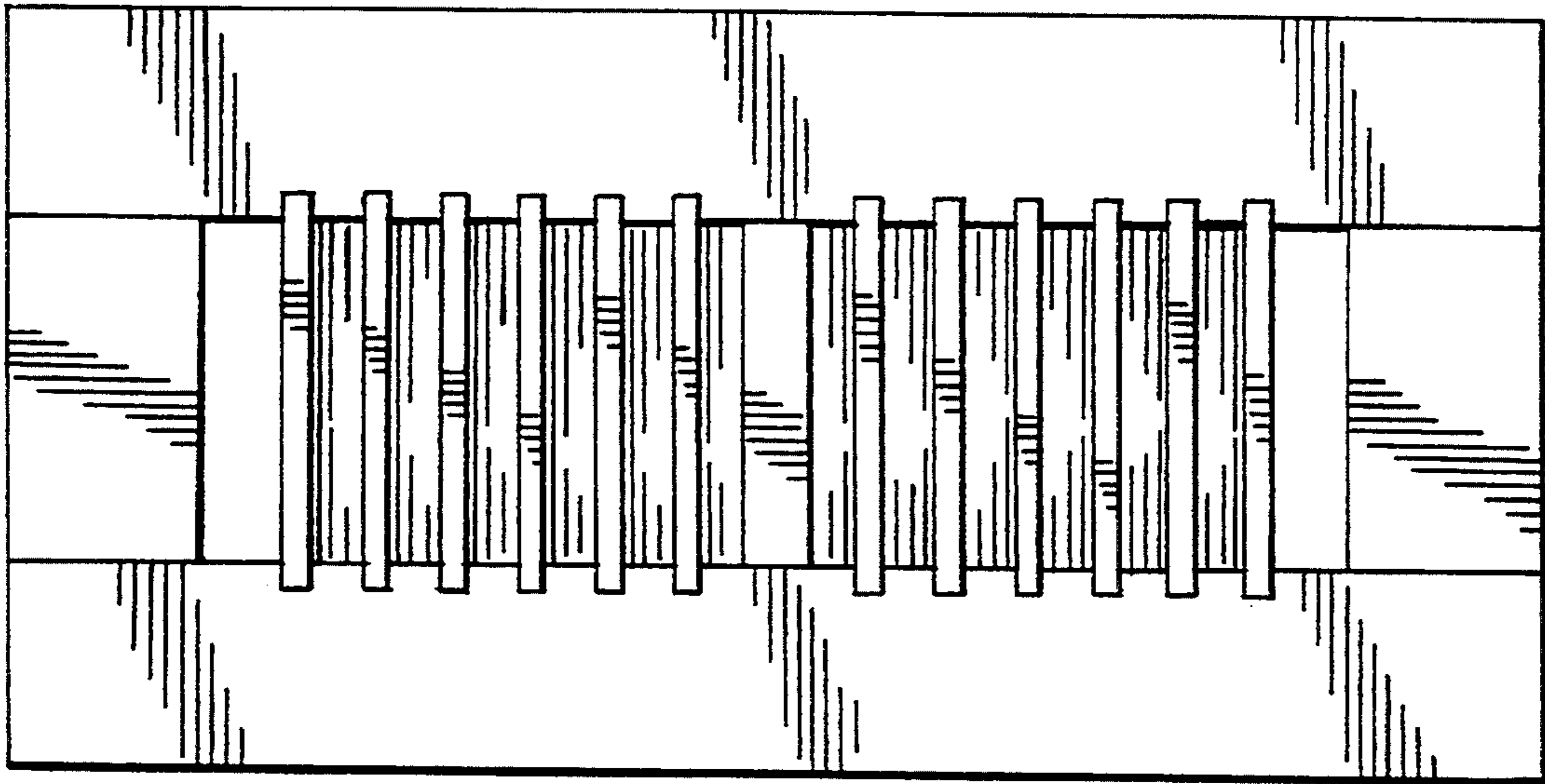


FIG. 3.

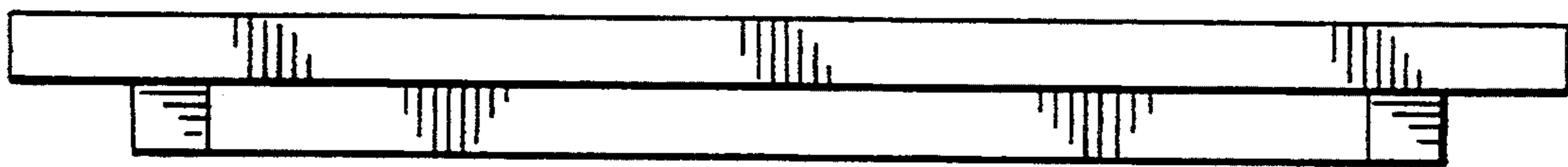


FIG. 4.



FIG. 5.

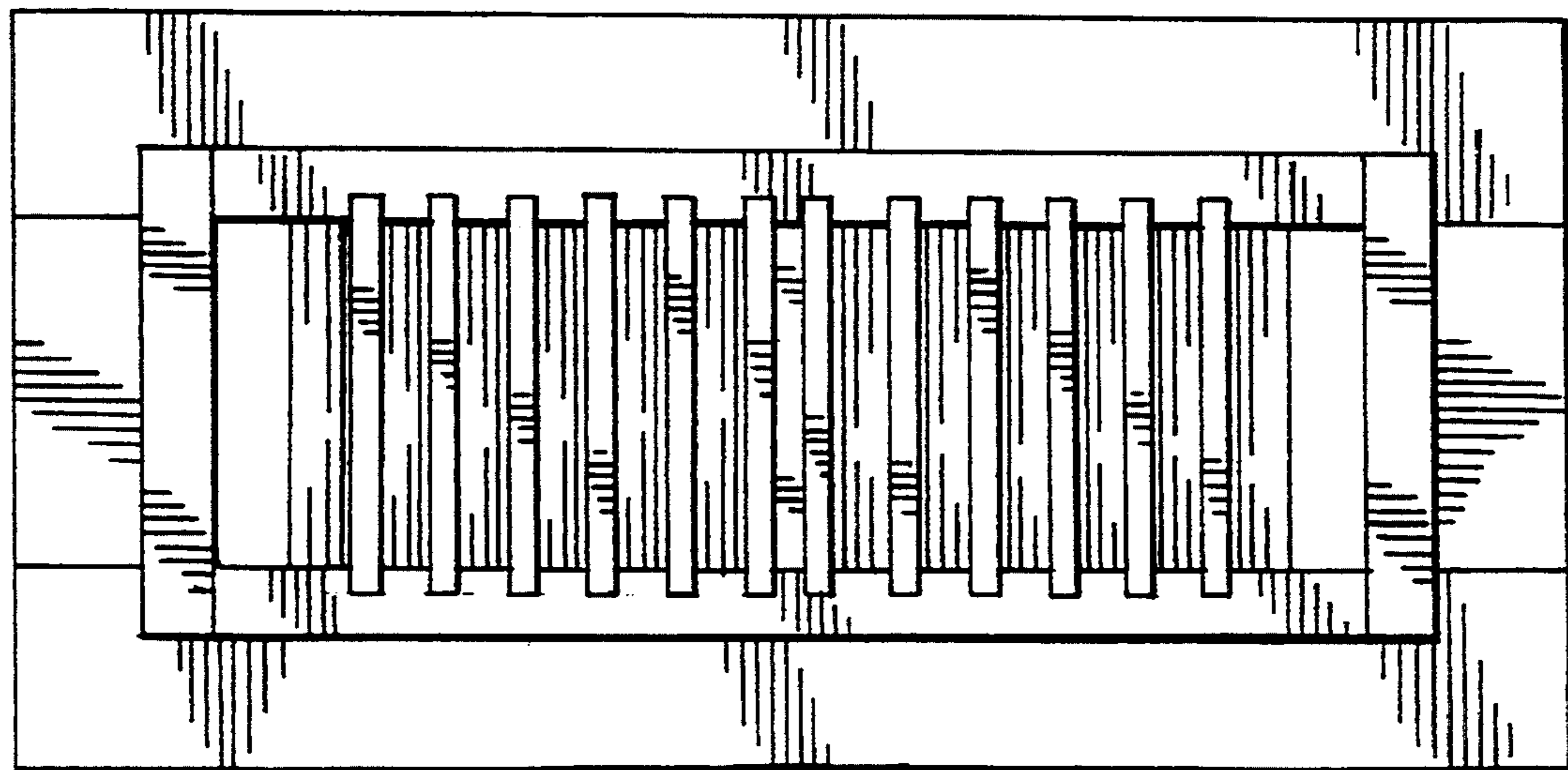
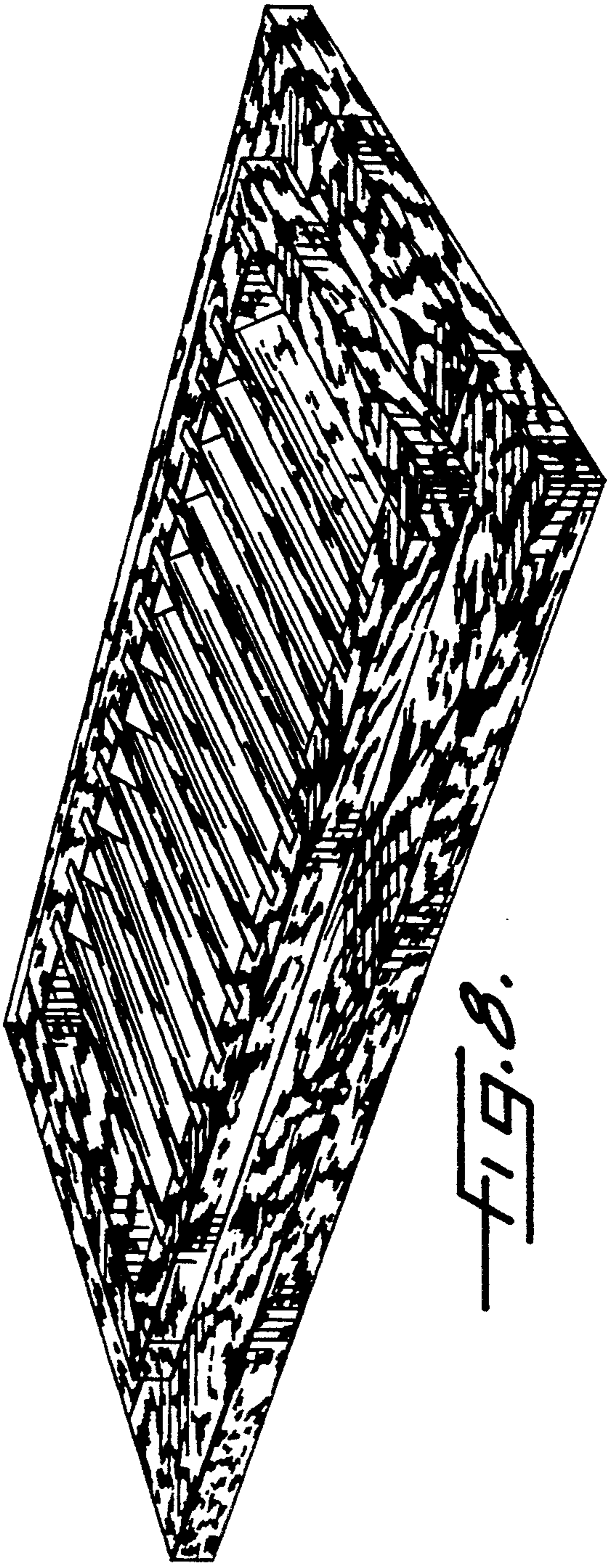
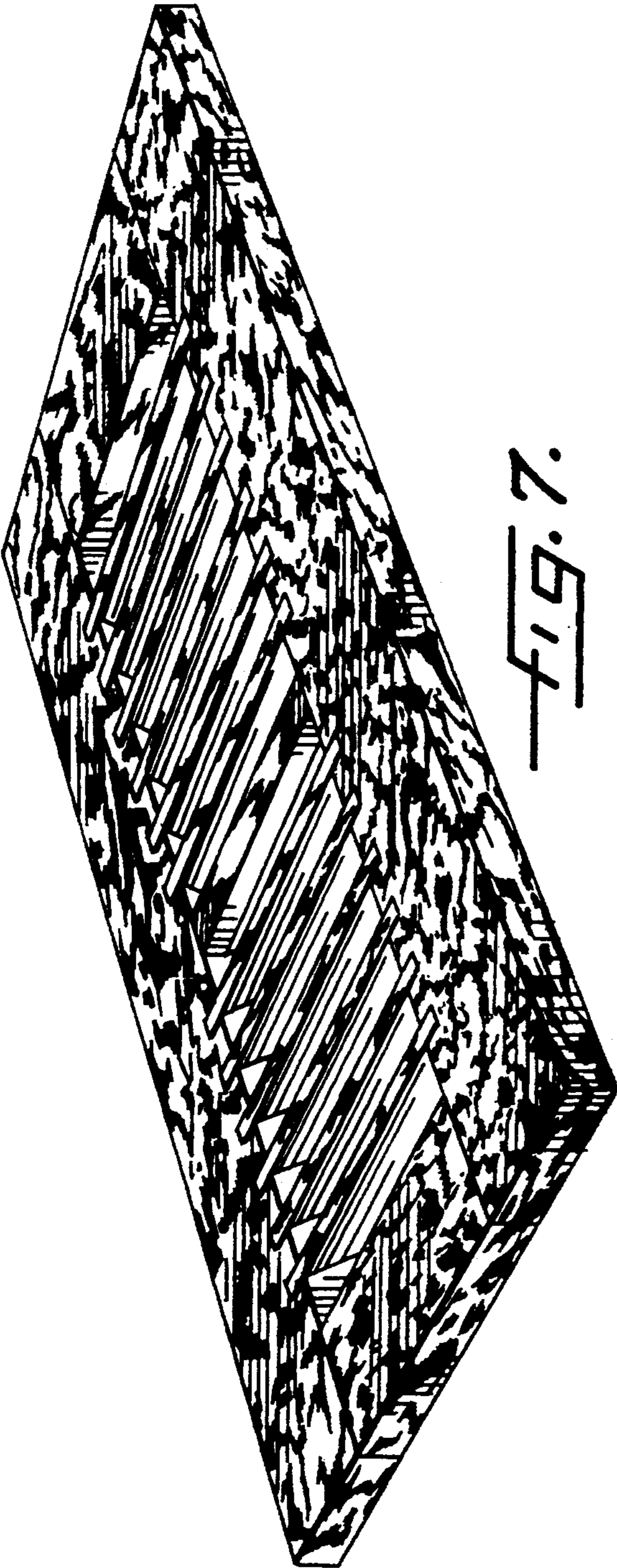


FIG. 6.



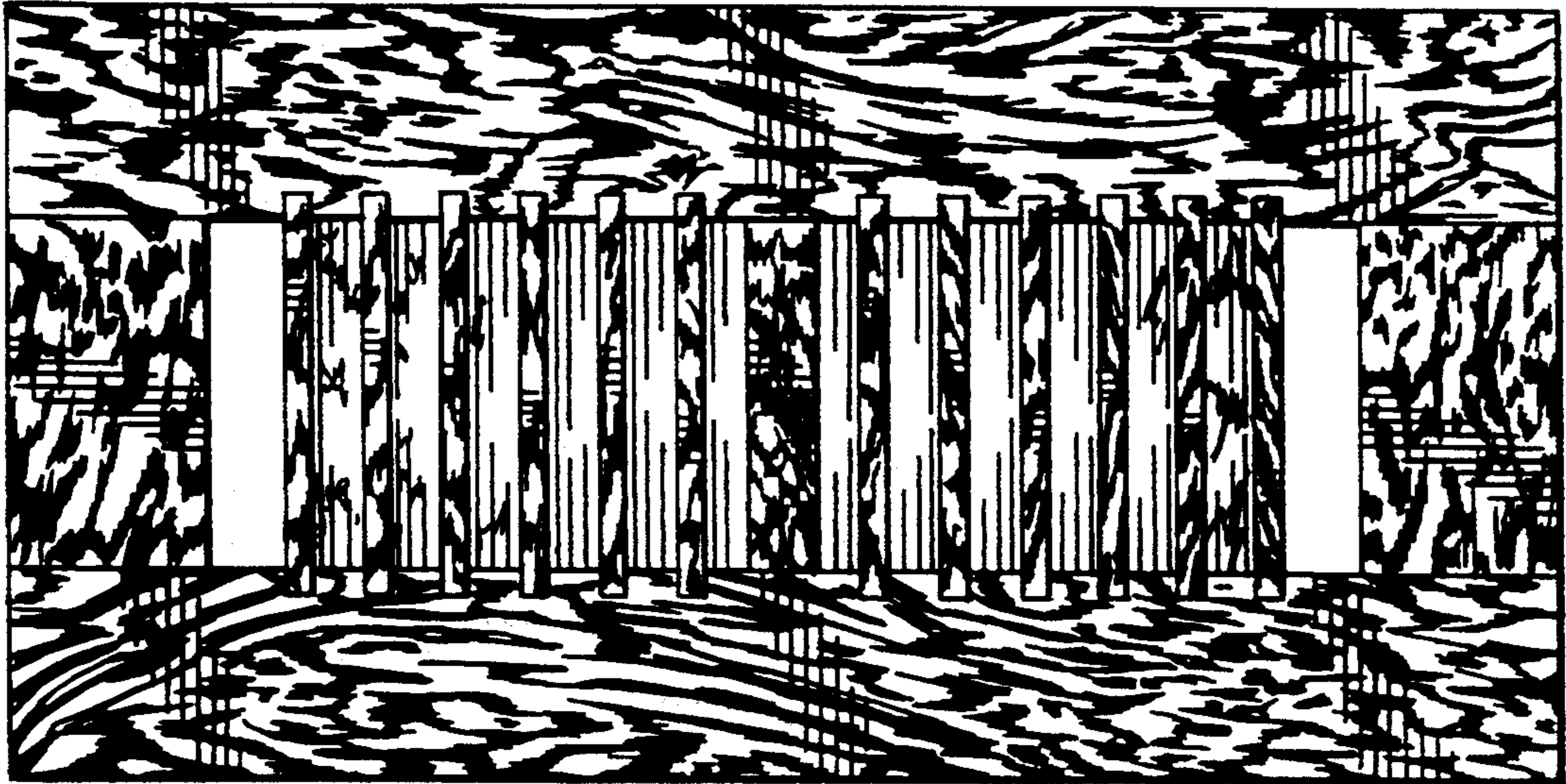


FIG. 9.



FIG. 10.

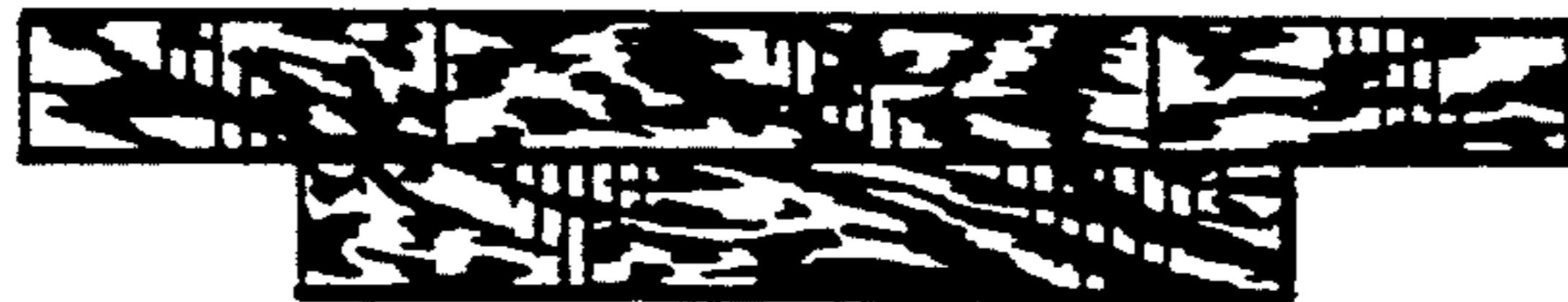


FIG. 11.

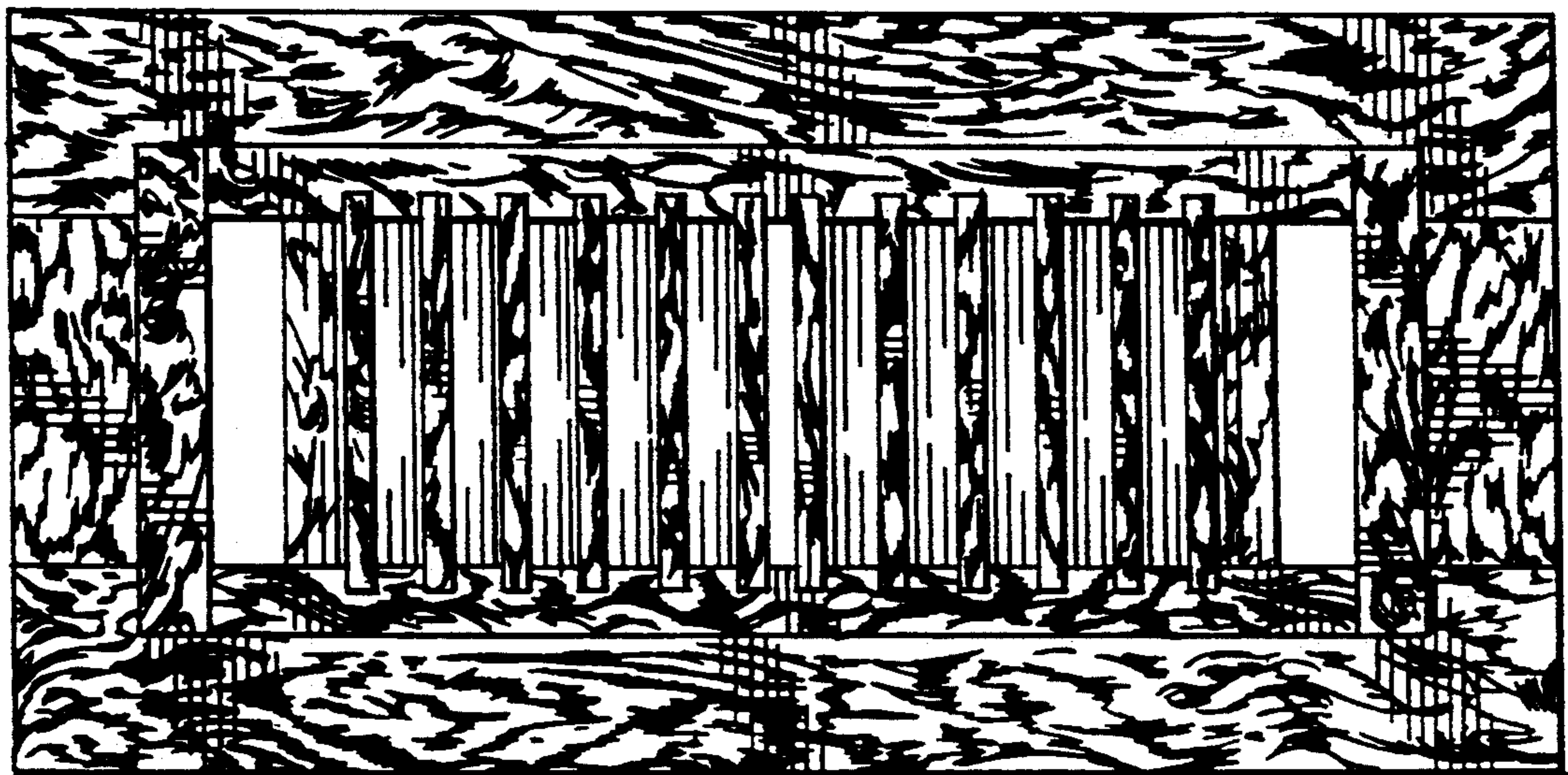


FIG. 12.