



US00D362056S

United States Patent [19]

[11] Patent Number: **Des. 362,056**

Grandinetti

[45] Date of Patent: **** Sep. 5, 1995**

[54] **COMBINED LOW PROFILE
NON-PRESSURIZED THERMOSYPHON
STORAGE TANK AND COLLECTOR UNIT
OF A SOLAR WATER HEATER**

4,766,885 8/1988 Muramatsu 126/640

FOREIGN PATENT DOCUMENTS

[76] Inventor: **John D. Grandinetti**, 2169 Kauhana St., Honolulu, Hi. 96816

138949 8/1983 Japan 126/640
157441 9/1984 Japan 126/640

[**] Term: **14 Years**

Primary Examiner—Lisa P. Lichtenstein

[21] Appl. No.: **902,057**

[57] CLAIM

[22] Filed: **Jun. 19, 1992**

The ornamental design for a combined low profile non-pressurized thermosyphon storage tank and collector unit for a solar water heater, as shown.

[52] U.S. Cl. **D23/318; D13/102;
D23/314; D23/386**

DESCRIPTION

[58] Field of Search **D23/318, 386; D13/102;
126/640, 623**

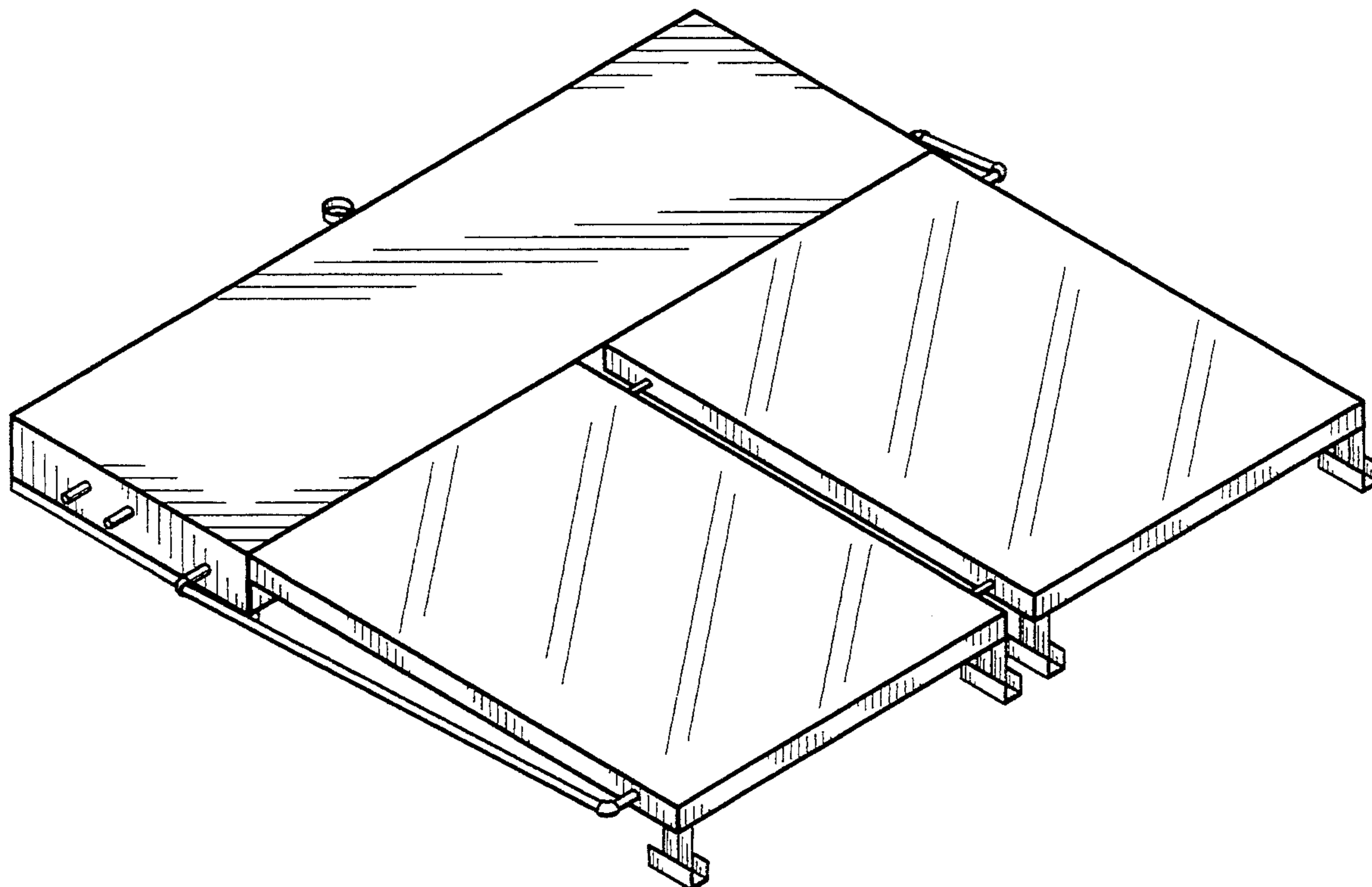
FIG. 1 is a perspective view of a combined low profile non-pressurized thermosyphon storage tank and collector unit for a solar water heater;

[56] References Cited

U.S. PATENT DOCUMENTS

D. 254,686 4/1980 Riley D23/318
4,078,603 3/1978 Saunders 126/640
4,599,994 7/1986 Cole 126/640

FIG. 2 is a top plan view;
FIG. 3 is a right side elevation view;
FIG. 4 is a left side elevation view;
FIG. 5 is a bottom elevation view; and,
FIG. 6 is a top elevation view.



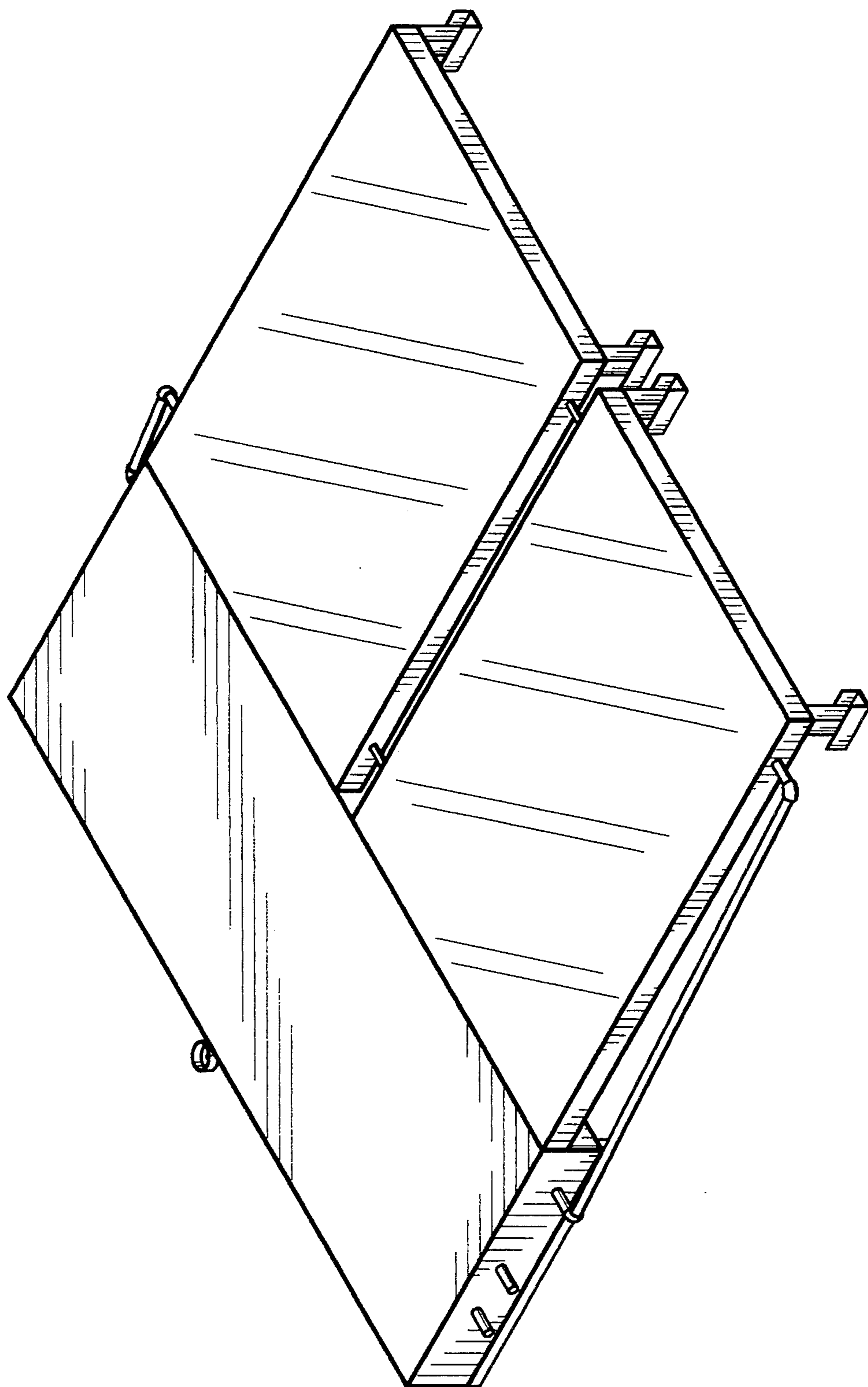


Fig 1

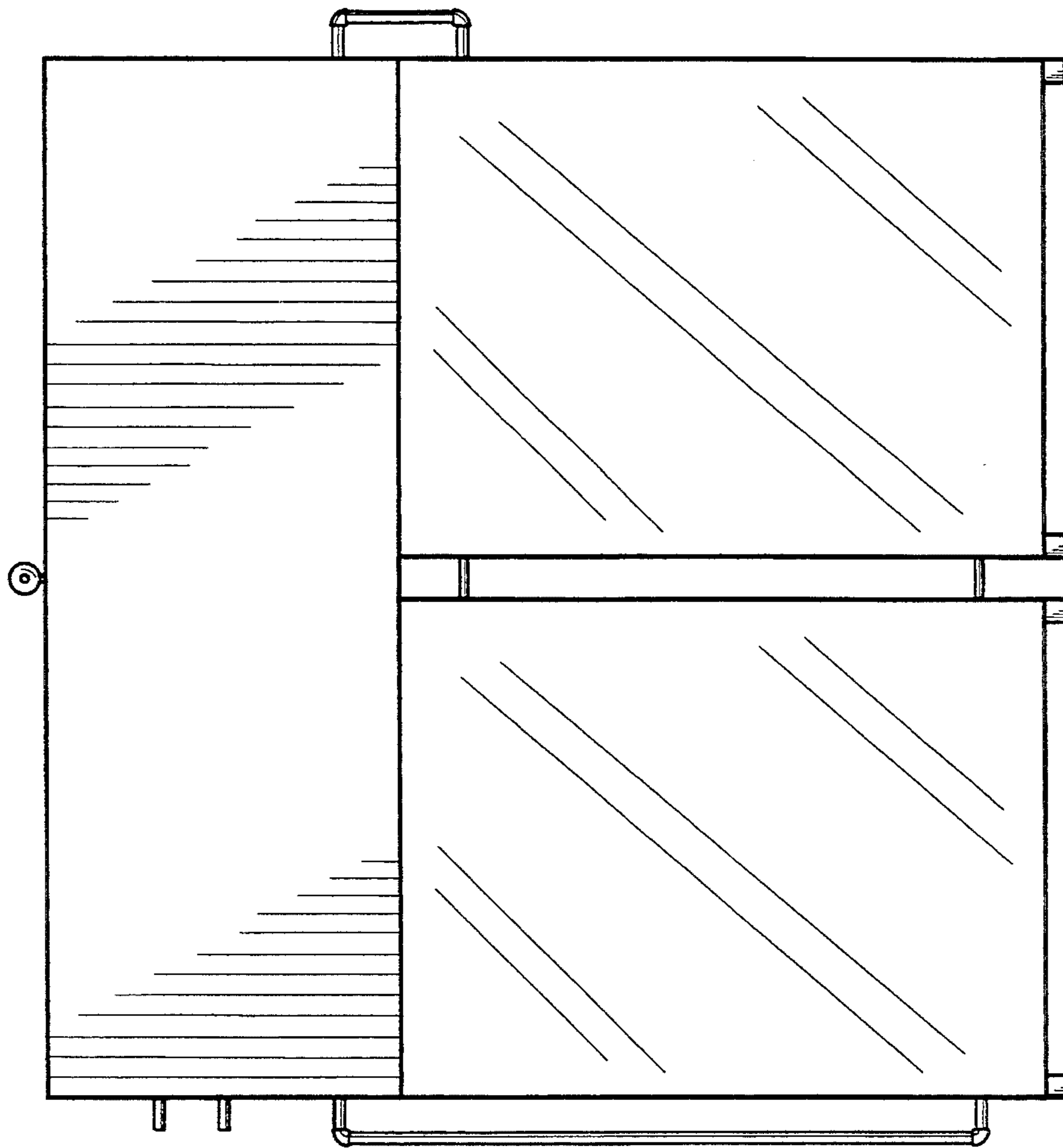


Fig 2



Fig 3



Fig 4



Fig 5

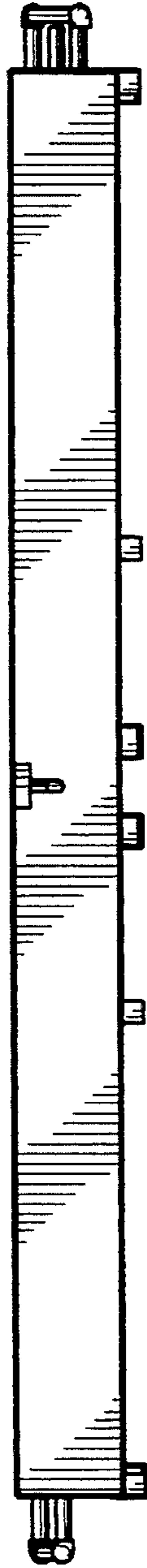


Fig 6