



US00D362050S

# United States Patent [19]

[11] Patent Number: **Des. 362,050**

Jacuzzi

[45] Date of Patent: **\*\* Sep. 5, 1995**

[54] WHIRLPOOL BATH

[75] Inventor: **Remo Jacuzzi**, Little Rock, Ark.

[73] Assignee: **Jason International, Inc.**, North Little Rock, Ark.

[\*\*] Term: **14 Years**

[21] Appl. No.: **20,979**

[22] Filed: **Apr. 6, 1994**

[52] U.S. Cl. .... **D23/277**

[58] Field of Search ..... **D23/270-283;**  
**D24/201-205; 4/538-539, 541.1-541.6, 575.1,**  
**579, 589, 590, 591, 592, 593, 594**

[56] **References Cited**

### U.S. PATENT DOCUMENTS

- D. 216,119 11/1969 Kaiser ..... D23/280.1
- D. 265,923 8/1982 Cuttriss ..... D23/280.1
- D. 278,742 5/1985 Stoirs, Jr. .... D23/280.3
- D. 300,661 4/1989 Dowse ..... D24/204

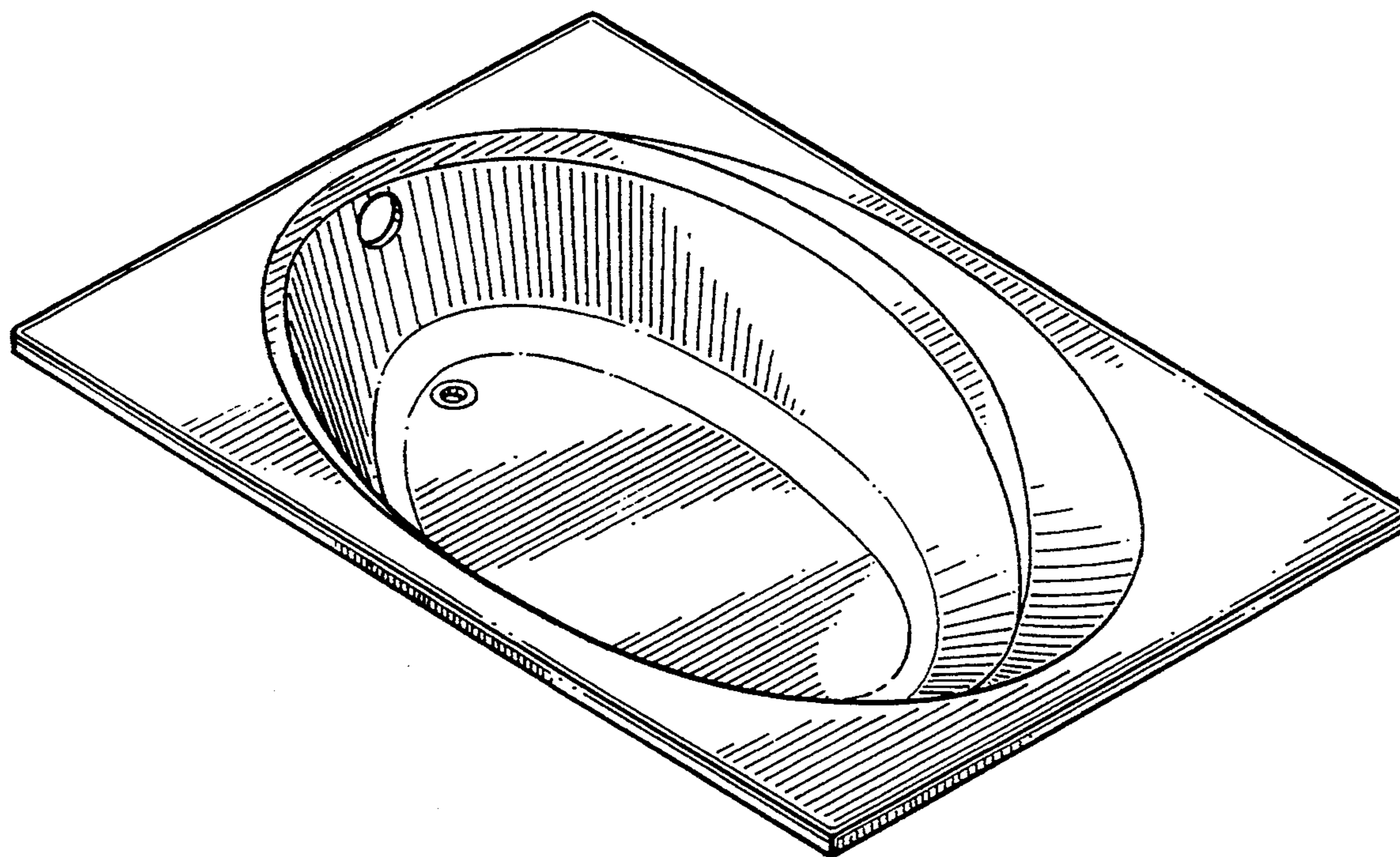
*Primary Examiner*—Lou Zarfes  
*Assistant Examiner*—E. Watterson  
*Attorney, Agent, or Firm*—Banner & Allegretti, Ltd.

[57] **CLAIM**

The ornamental design for a whirlpool bath, as shown and described.

### DESCRIPTION

FIG. 1 is an isometric view of a whirlpool bath showing my new design;  
FIG. 2 is a top plan view thereof;  
FIG. 3 is a right side view thereof, the left side view thereof being a mirror image;  
FIG. 4 is a cross sectional view along lines 4—4 of FIG. 2;  
FIG. 5 is a front view thereof;  
FIG. 6 is a back view thereof;  
FIG. 7 is a cross sectional view along lines 7—7 of FIG. 2; and,  
FIG. 8 is a bottom plan view thereof.



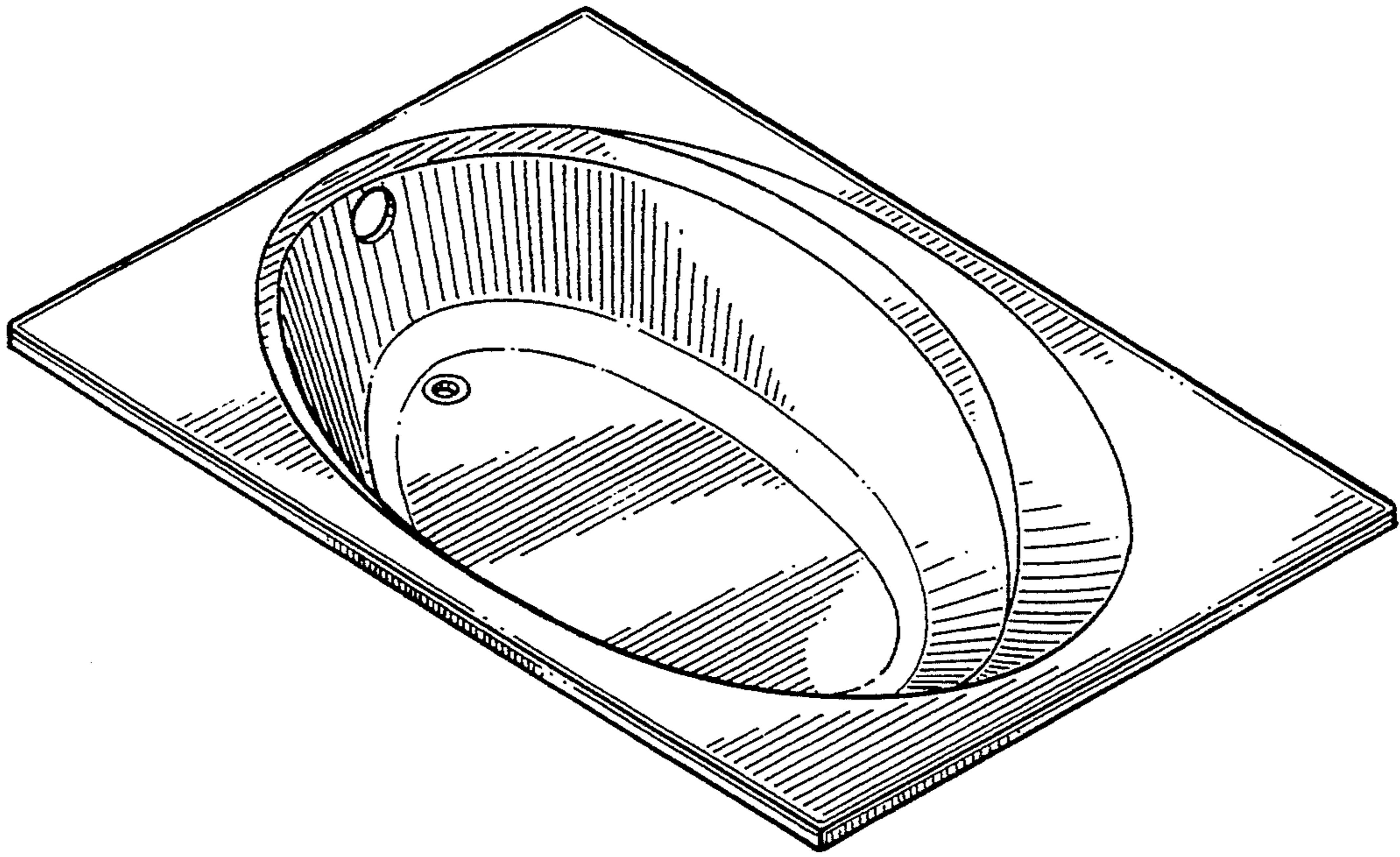


FIG. 1

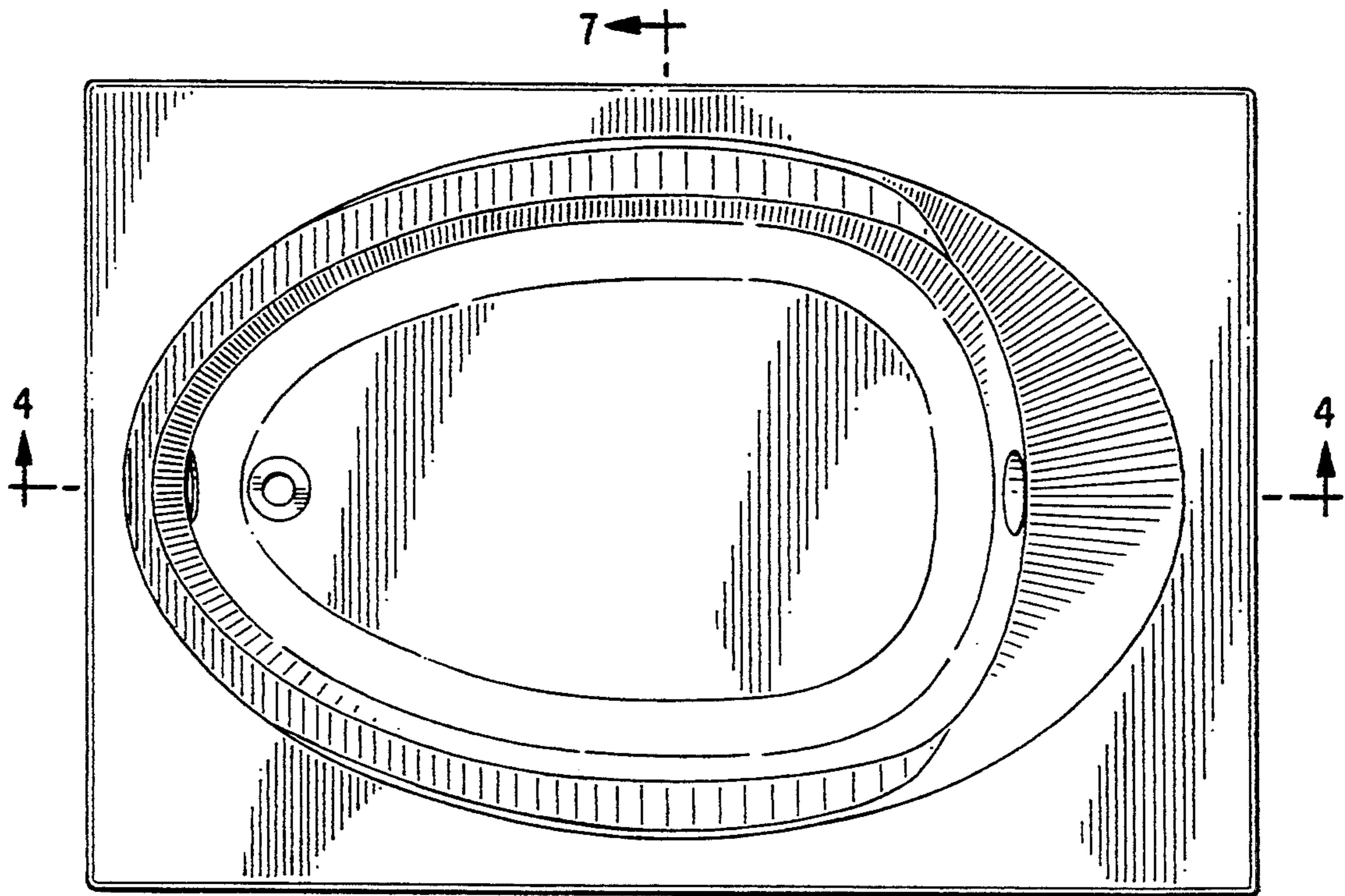


FIG. 2

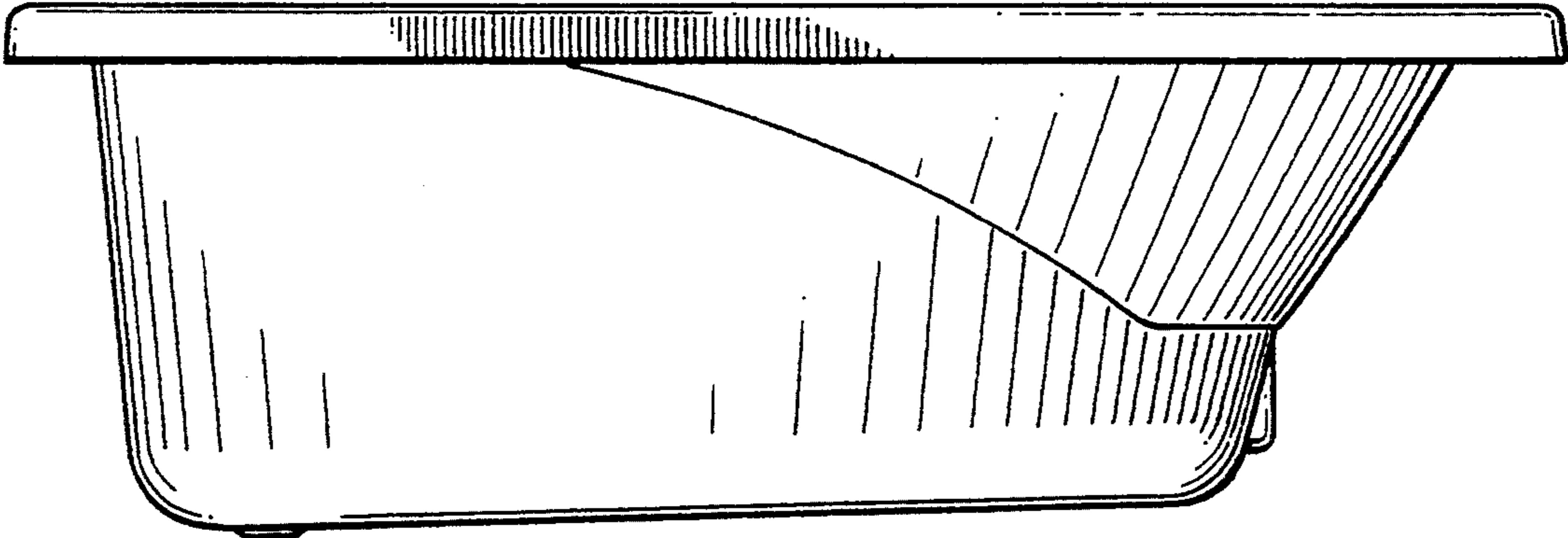


FIG. 3

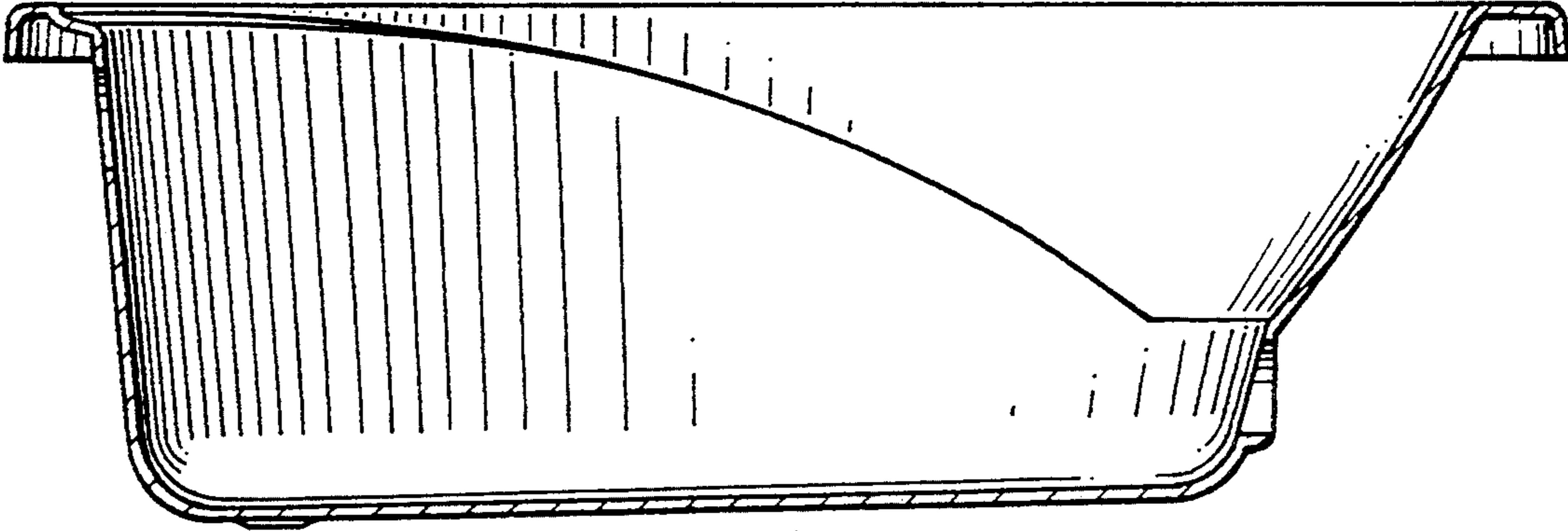


FIG. 4

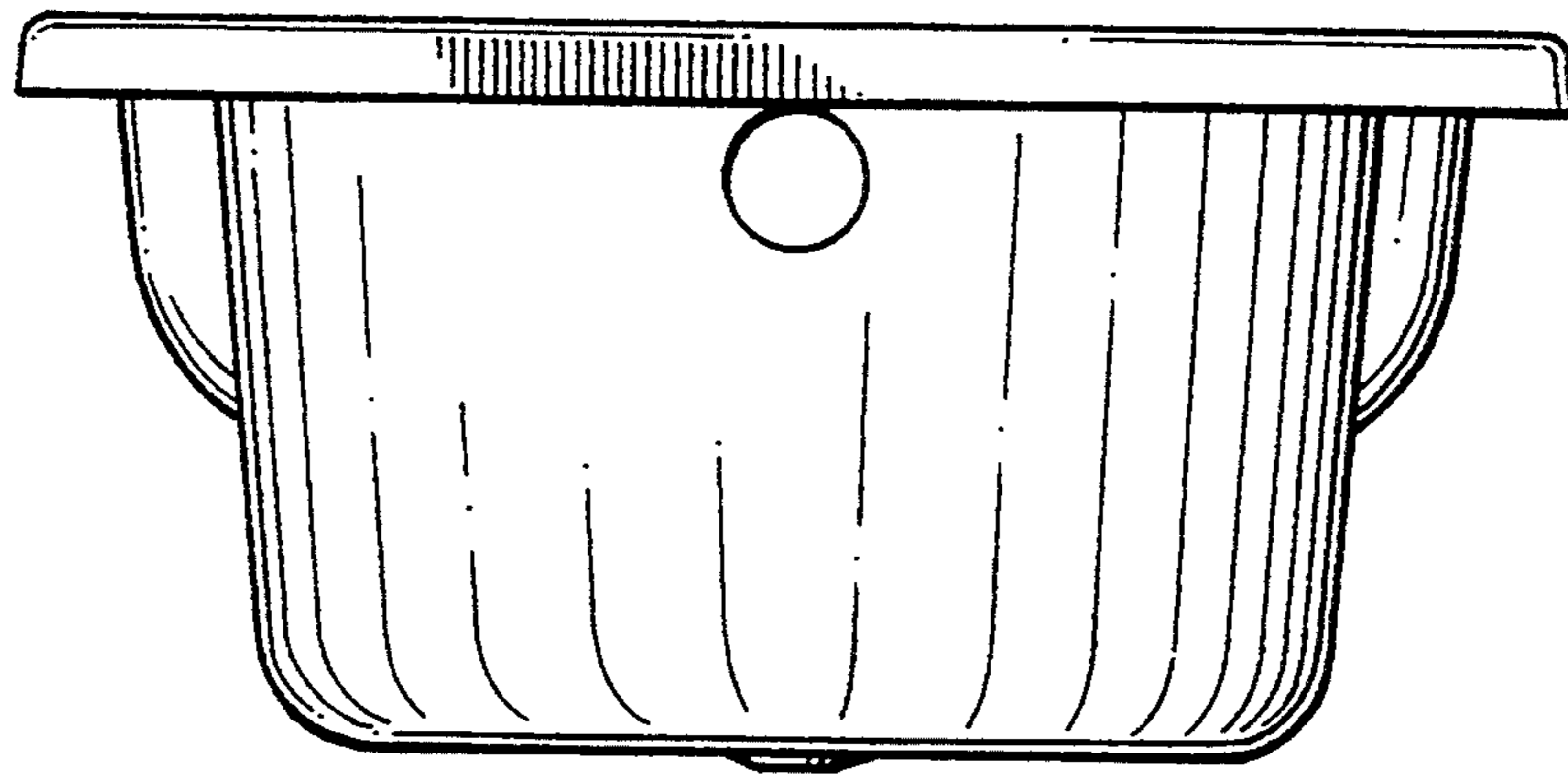


FIG. 5

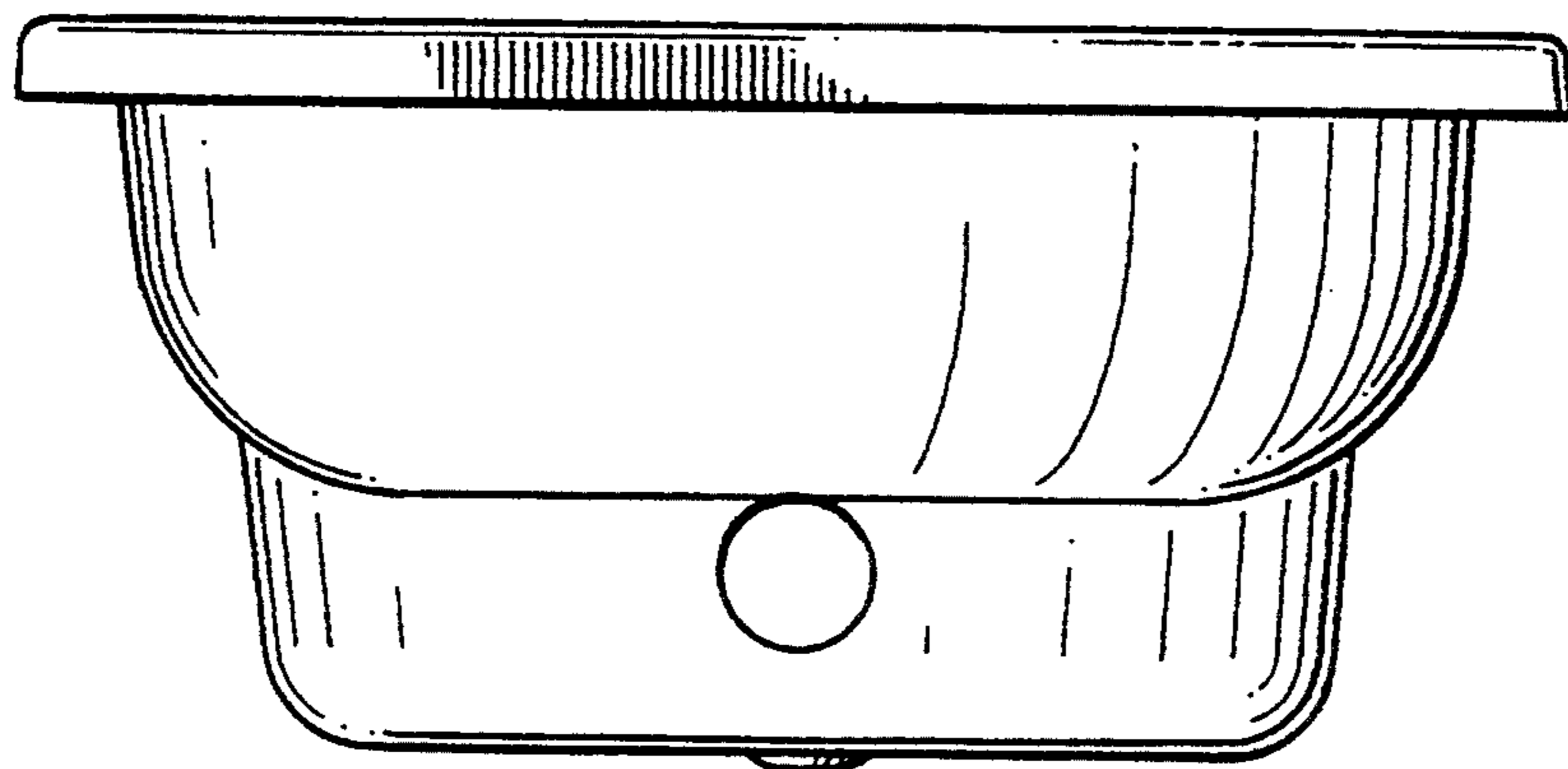


FIG. 6

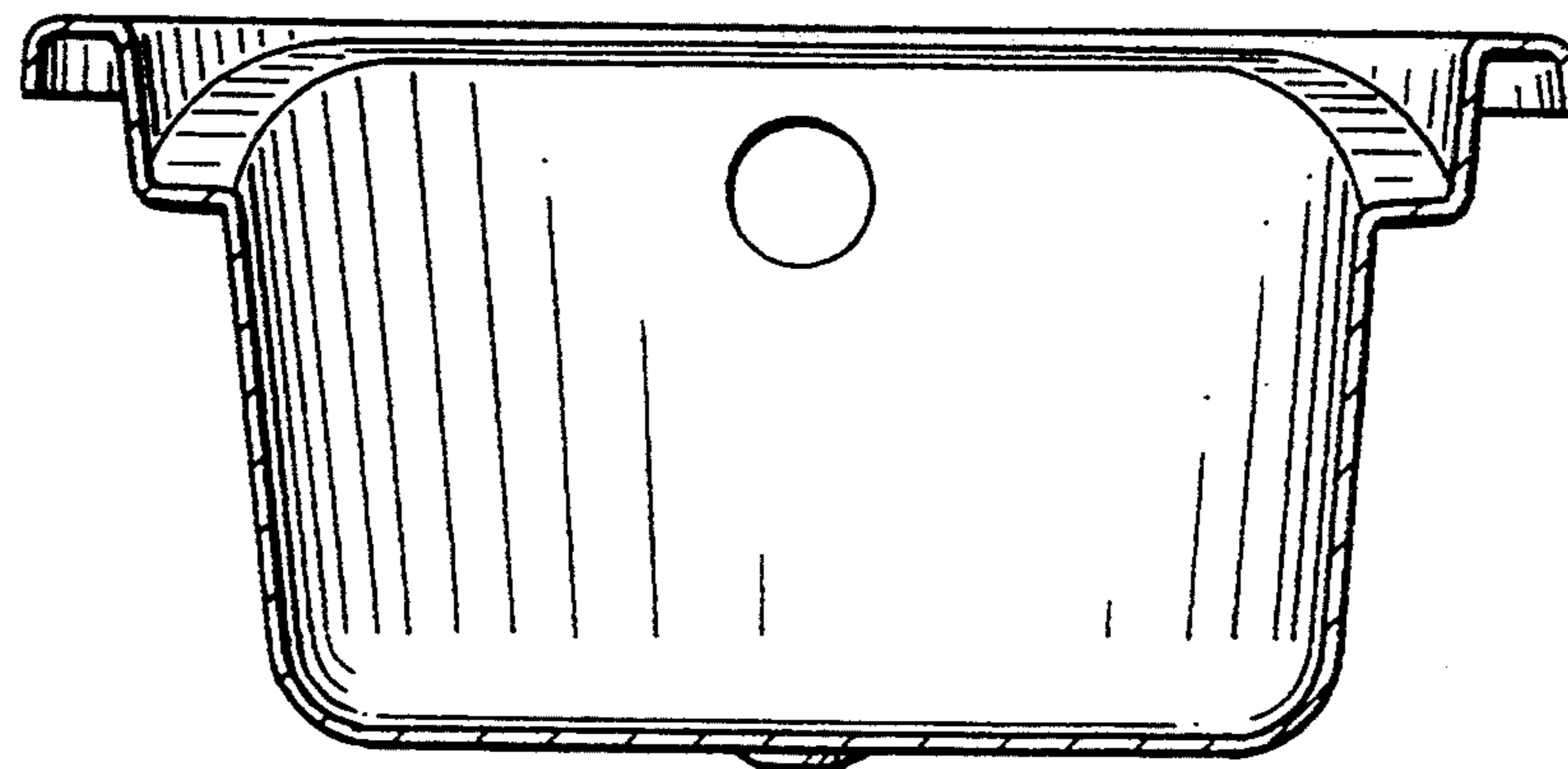


FIG. 7

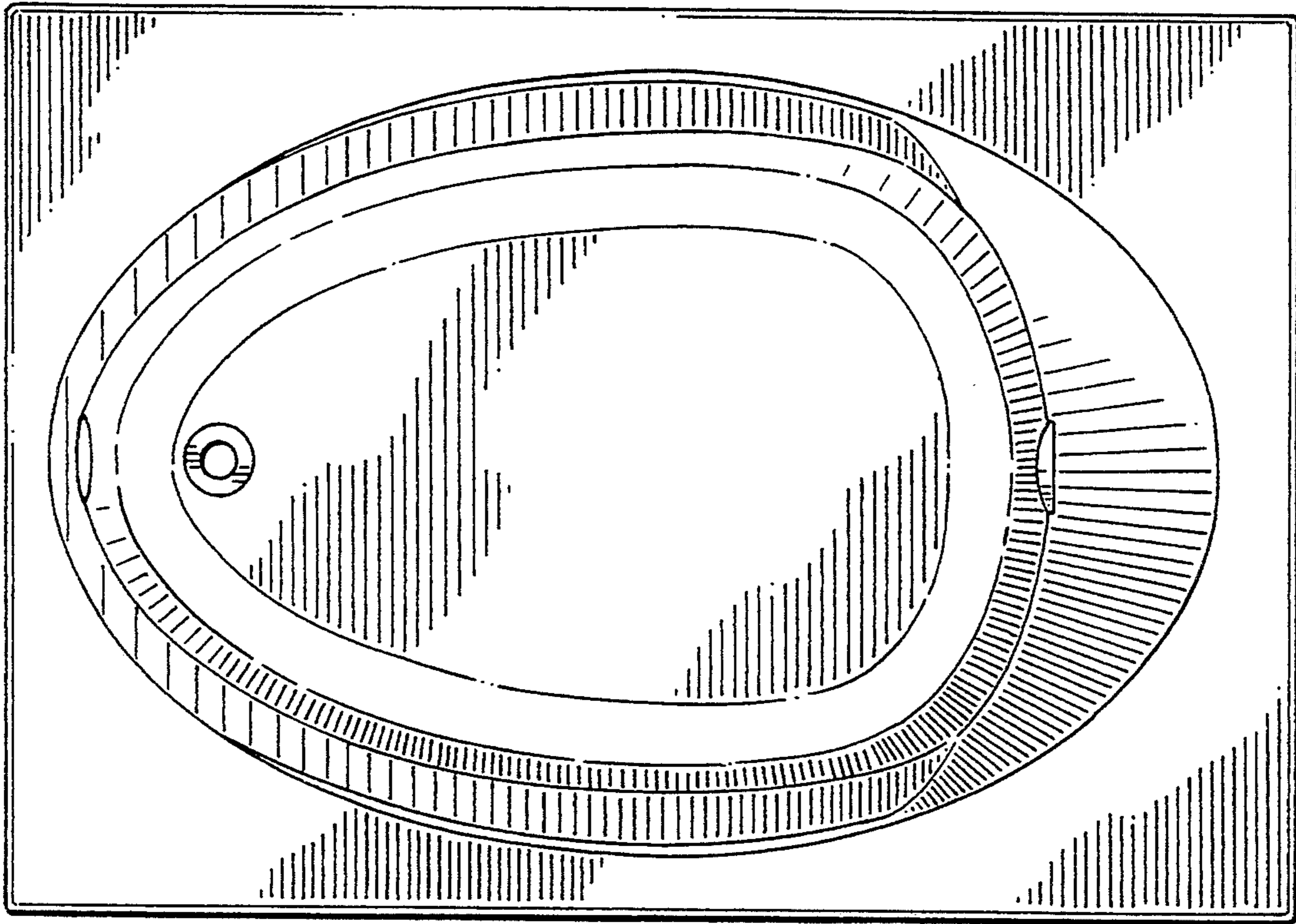


FIG. 8