



US00D362049S

# United States Patent [19]

[11] Patent Number: **Des. 362,049**

**Jacuzzi**

[45] Date of Patent: **\*\* Sep. 5, 1995**

[54] **WHIRLPOOL BATH AND SPA**  
 [75] Inventor: **Remo Jacuzzi**, Little Rock, Ark.  
 [73] Assignee: **Jason International, Inc.**, North Little Rock, Ark.  
 [\*\*] Term: **14 Years**

*Assistant Examiner*—Eric Watterson  
*Attorney, Agent, or Firm*—Banner & Allegretti, Ltd.

[21] Appl. No.: **20,978**  
 [22] Filed: **Apr. 6, 1994**  
 [52] U.S. Cl. .... **D23/277**  
 [58] Field of Search ..... **D23/270-283;**  
                                   **D24/201-205; 4/538, 539, 541.1-541.6, 575.1,**  
                                   **579, 589, 590, 591, 592, 593, 594**

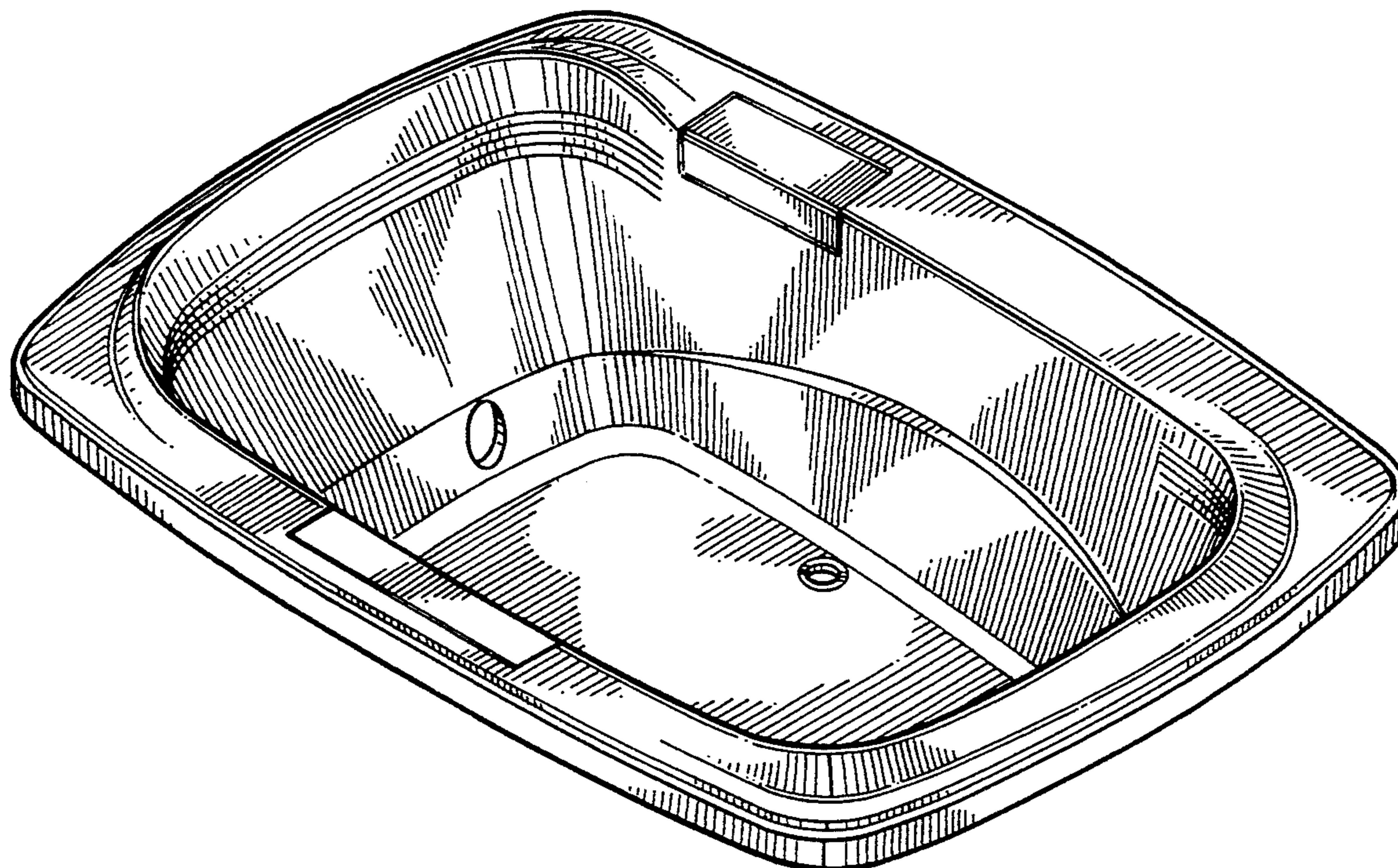
[57] **CLAIM**  
 The ornamental design for a whirlpool bath and spa, as shown and described.

[56] **References Cited**  
**U.S. PATENT DOCUMENTS**  
 D. 286,568 11/1986 Kingsley ..... D23/277  
 D. 300,360 3/1989 Jacuzzi ..... D24/204  
 D. 308,574 6/1990 D’Innocente et al. .... D24/204  
 D. 350,392 9/1994 Kohler, Jr. et al. .... D23/277  
 4,868,934 9/1989 Altman ..... 4/538 X

### DESCRIPTION

FIG. 1 is an isometric view of a whirlpool bath and spa showing my new design;  
 FIG. 2 is a top plan view thereof;  
 FIG. 3 is a back side view thereof, the front side view thereof being a mirror image;  
 FIG. 4 is a cross sectional view along lines 4—4 of FIG. 2;  
 FIG. 5 is a cross sectional view along lines 5—5 of FIG. 2;  
 FIG. 6 is a right side view thereof, the left side view being a mirror image;  
 FIG. 7 is a cross sectional view along lines 7—7 of FIG. 2;  
 FIG. 8 is a bottom plan view thereof; and,  
 FIG. 9 is a cross sectional view along lines 9—9 of FIG. 2.

*Primary Examiner*—Lou Zarfaz



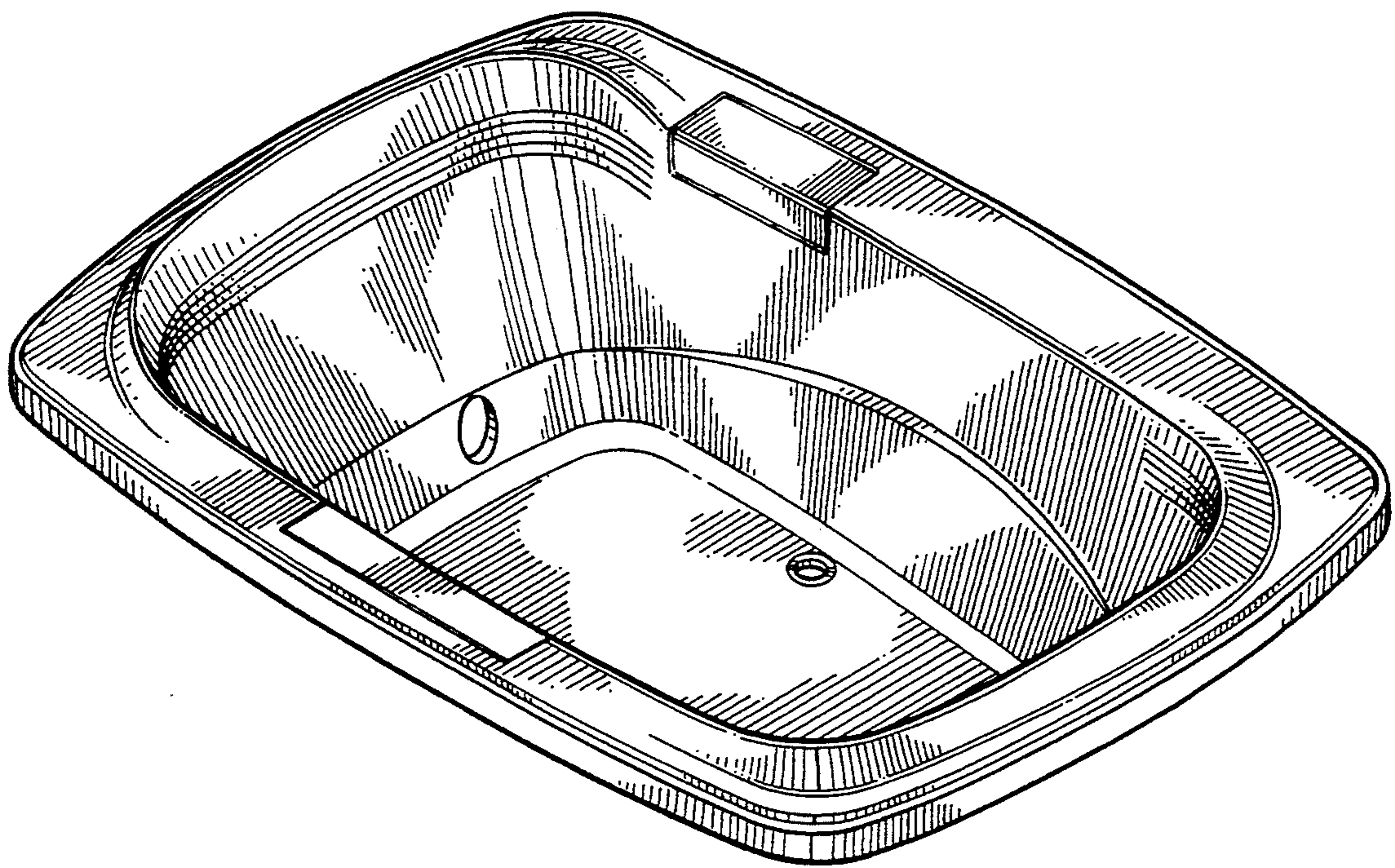


FIG. 1

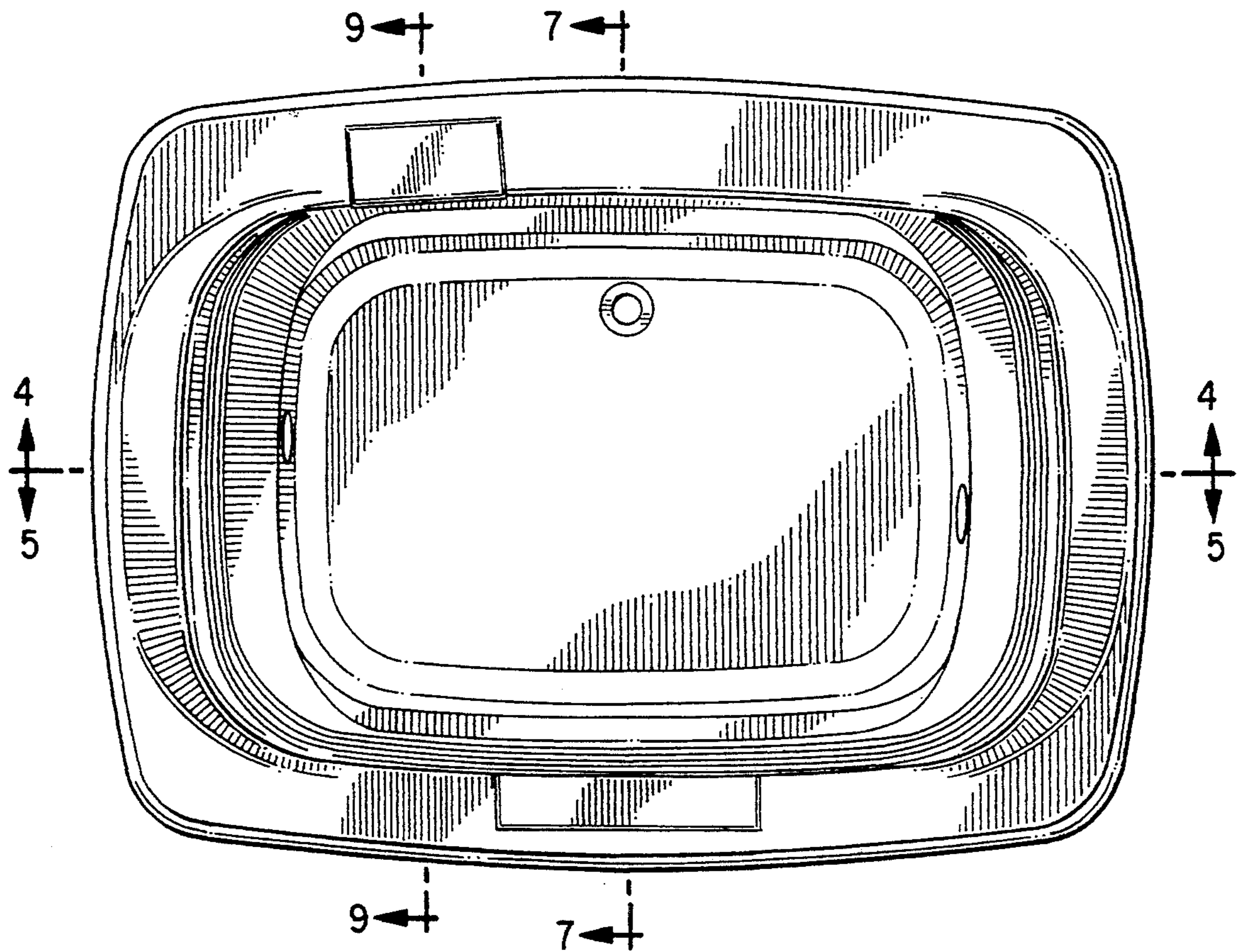


FIG. 2

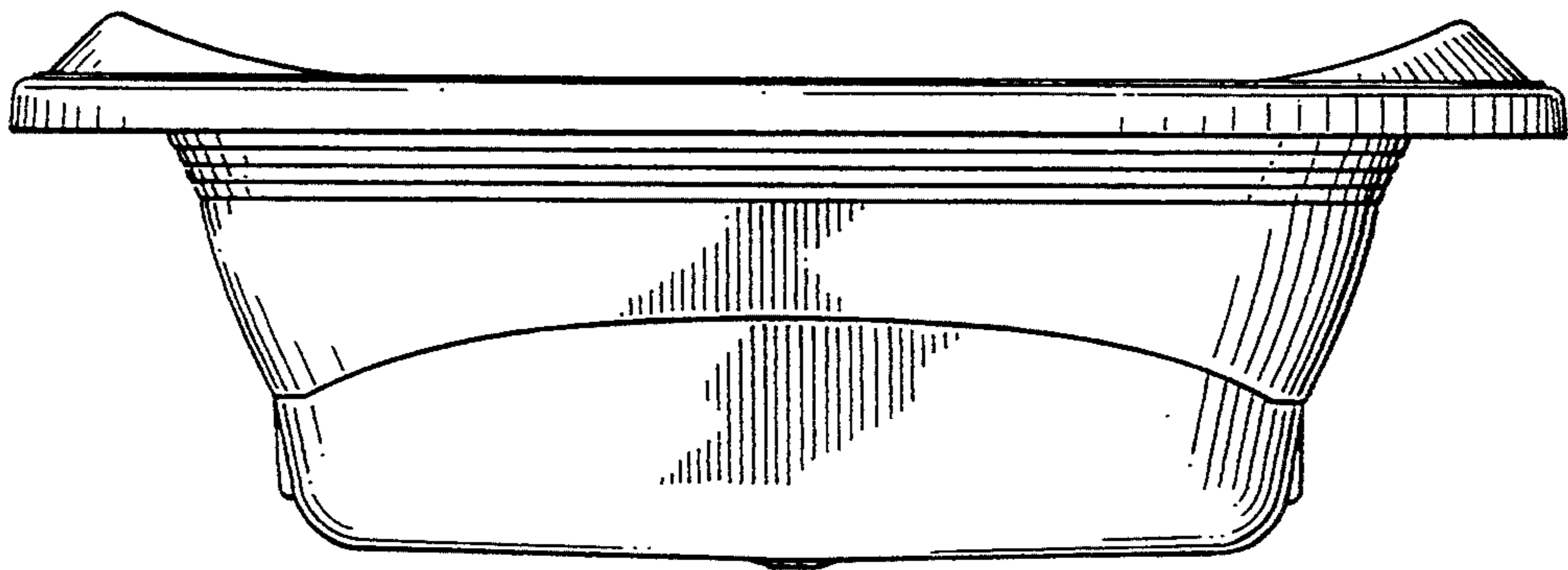


FIG. 3

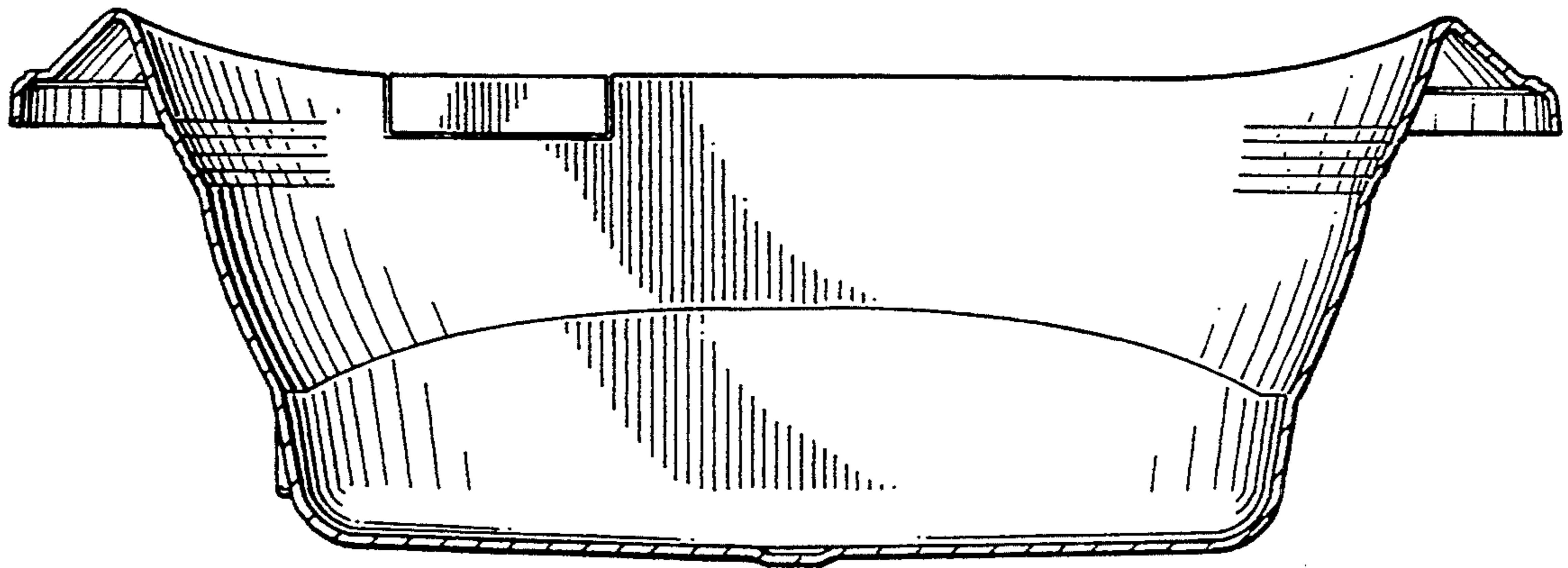


FIG. 4

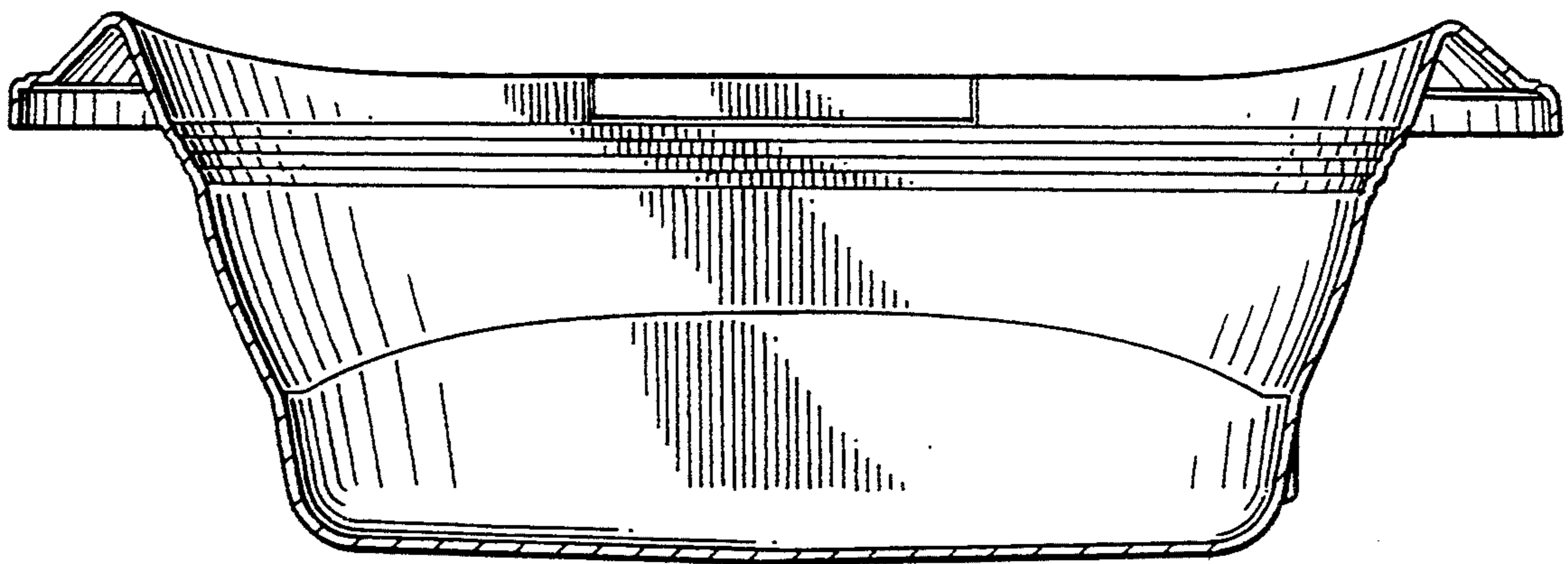


FIG. 5

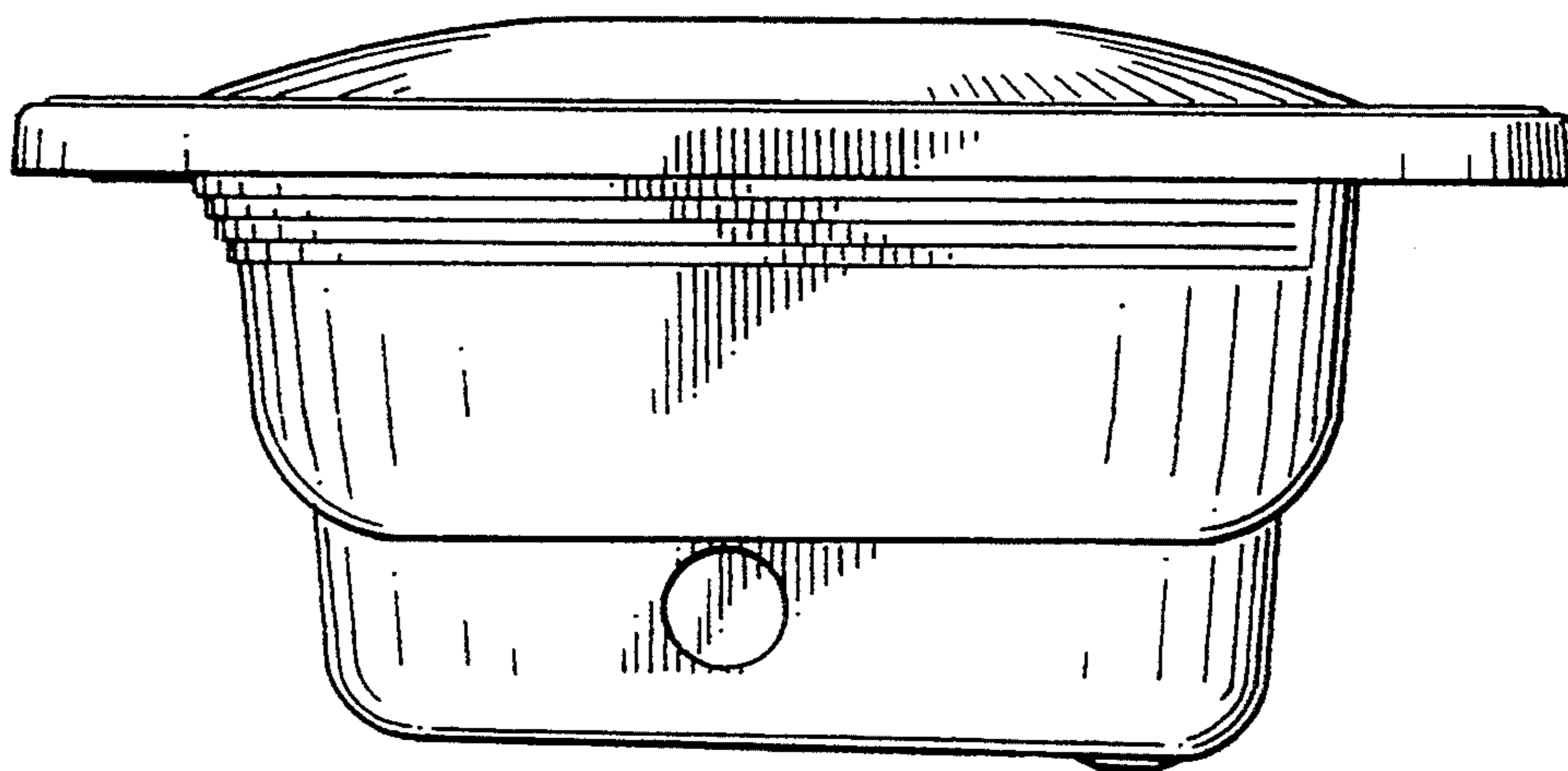


FIG. 6

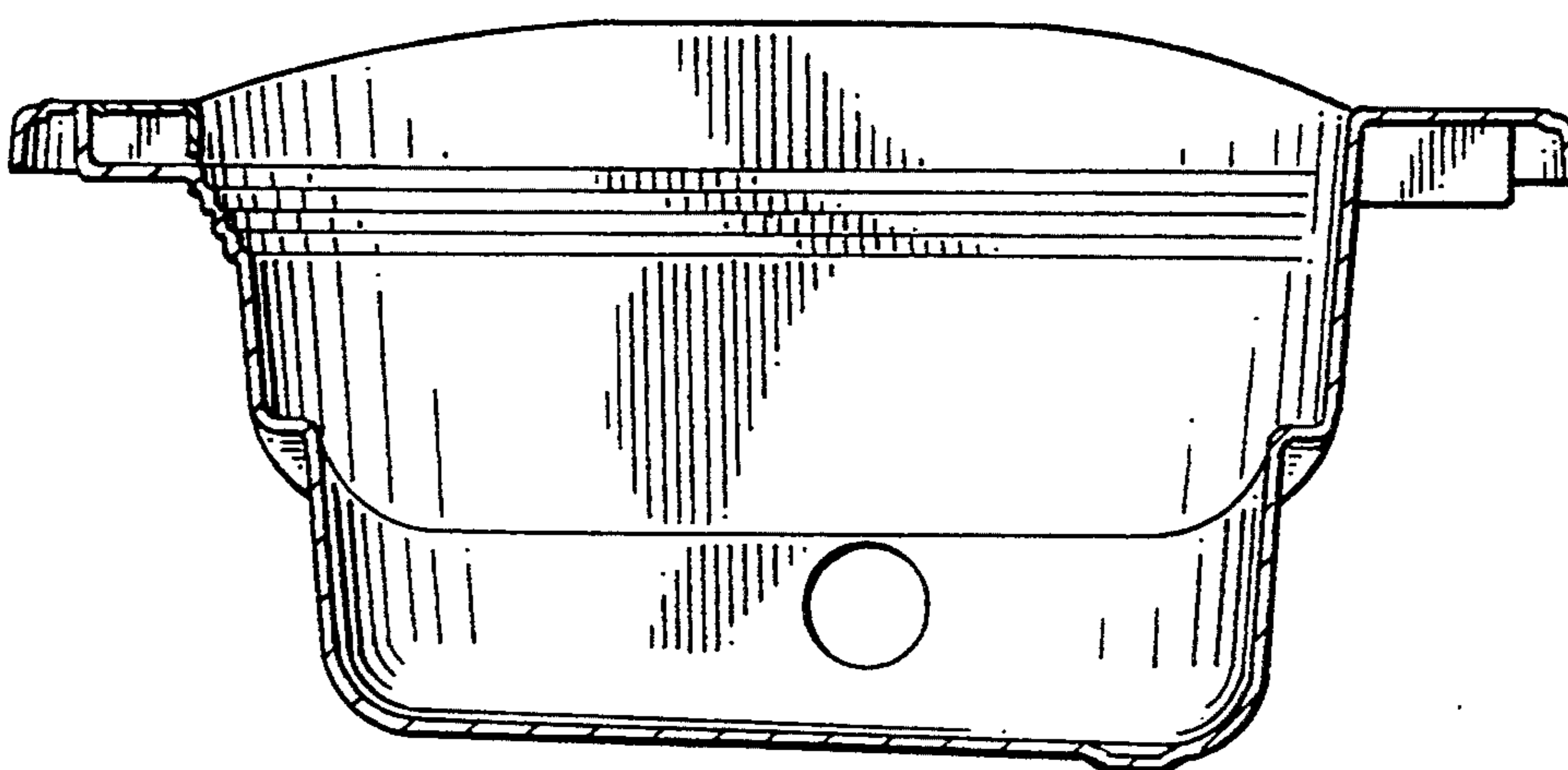


FIG. 7

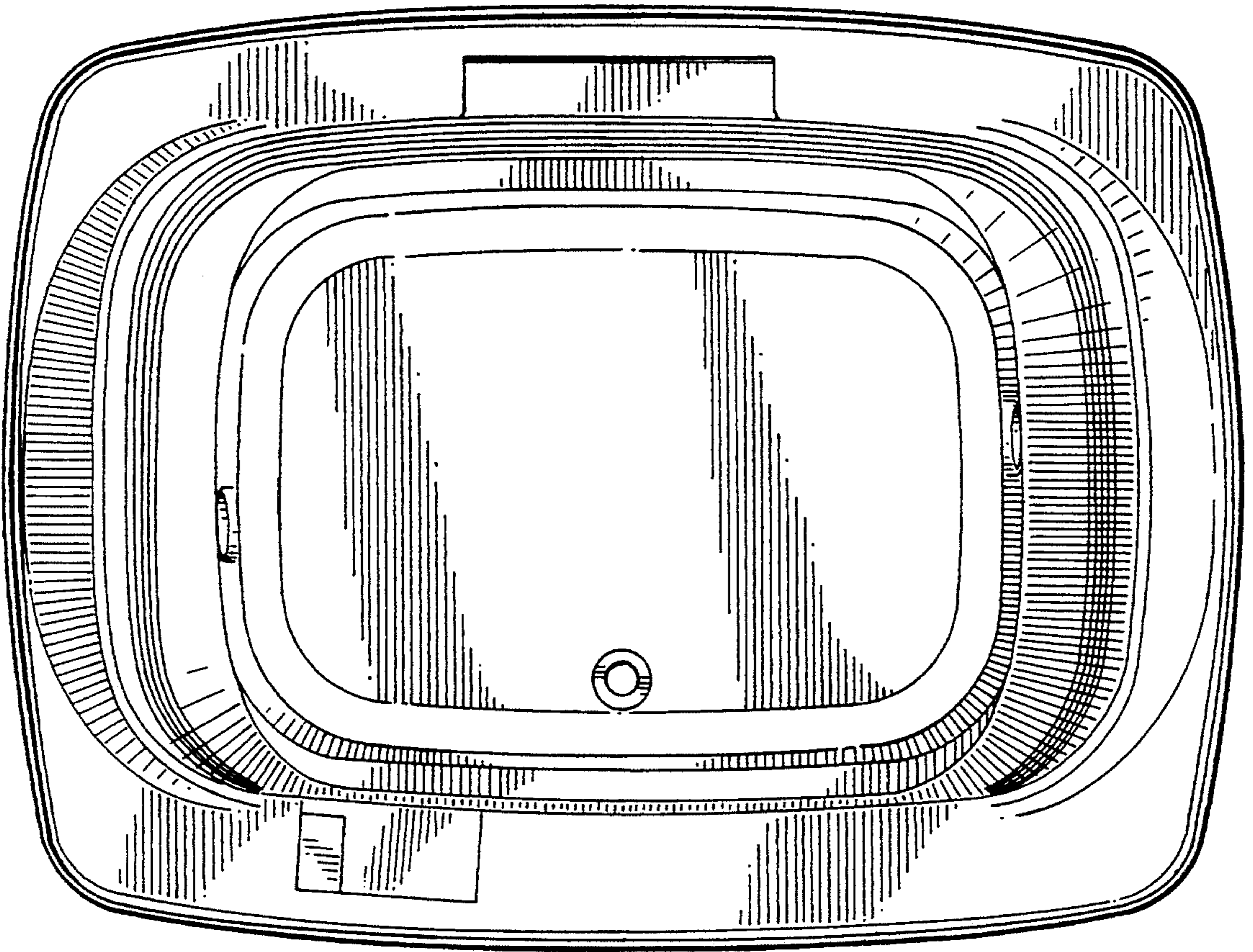


FIG. 8

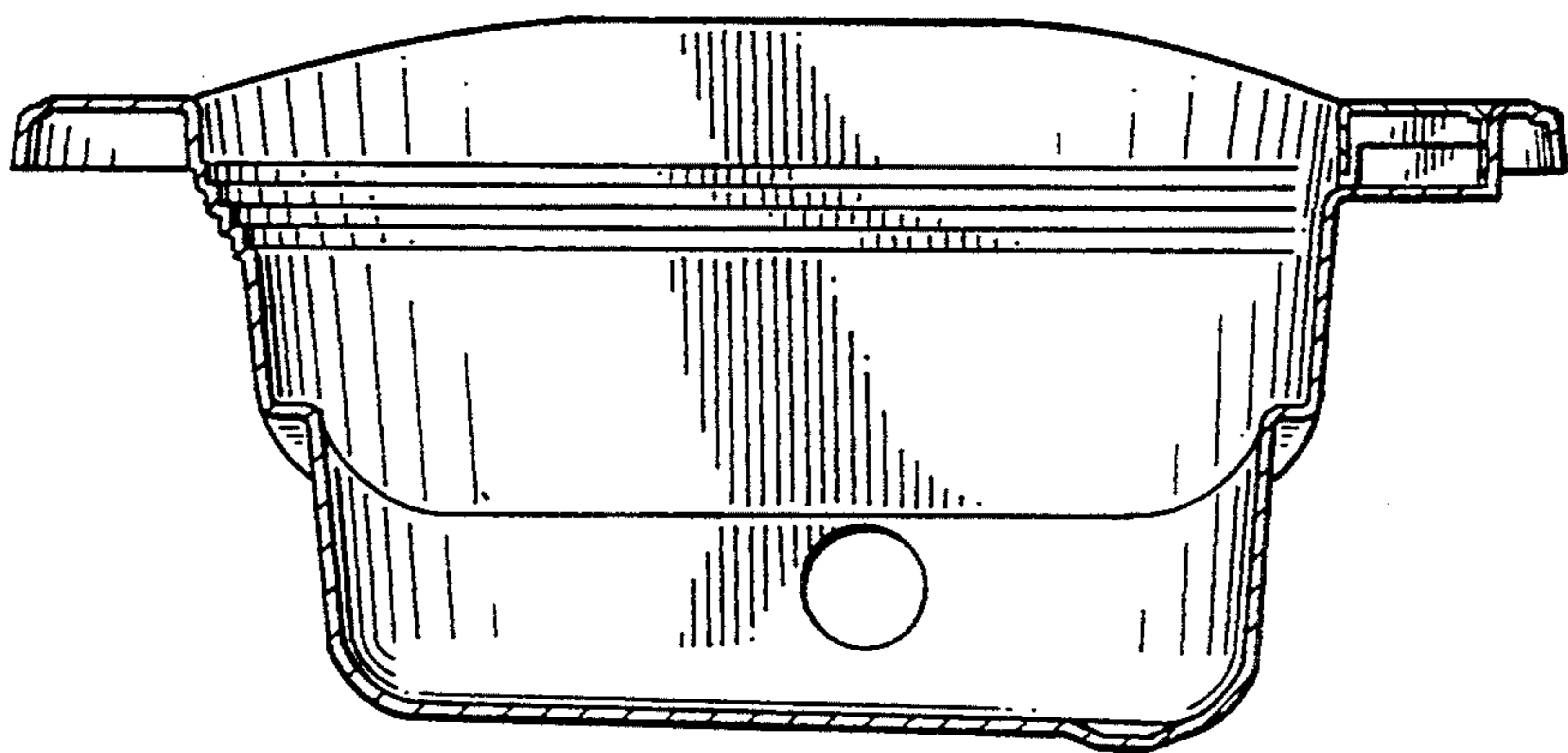


FIG. 9