



US00D362047S

# United States Patent [19]

[11] Patent Number: **Des. 362,047**

**Miskimins**

[45] Date of Patent: **\*\* Sep. 5, 1995**

[54] **FISH HANDLER**

[75] Inventor: **Robert L. Miskimins, Alliance, Ohio**

[73] Assignee: **Ohio Electronics Machinery, Inc.,  
Salem, Ohio**

[\*\*] Term: **14 Years**

[21] Appl. No.: **18,702**

[22] Filed: **Feb. 14, 1994**

[52] U.S. Cl. .... **D22/149; D22/134**

[58] Field of Search ..... **D22/134, 149, 150;  
43/4, 5, 53.5; 294/26, 158; 30/294**

4,660,875 4/1987 Ziegler ..... 294/26  
 5,127,162 7/1992 Mansfield ..... 30/294  
 5,161,843 11/1992 Baldwin ..... 294/26  
 5,339,555 8/1994 Miskimins ..... 294/26 X

### FOREIGN PATENT DOCUMENTS

447994 4/1948 Canada ..... 294/158  
 56720 1/1923 Sweden ..... 294/26

*Primary Examiner*—Doris V. Coles  
*Attorney, Agent, or Firm*—Michael Sand Co.

### [57] CLAIM

The ornamental design for a fish handler, as shown and described.

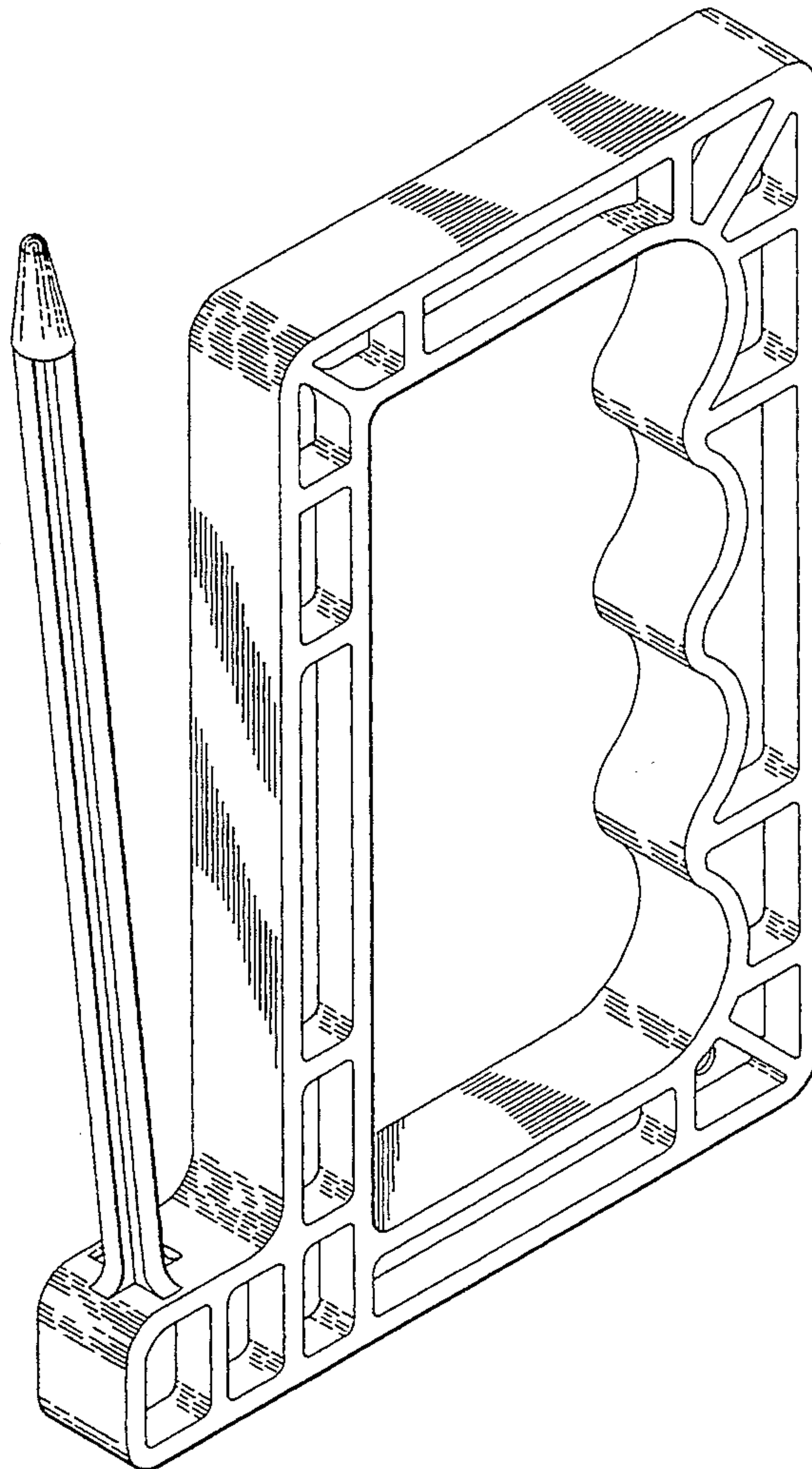
### [56] References Cited

#### U.S. PATENT DOCUMENTS

D. 152,595 2/1949 Cedarblad ..... D22/149  
 D. 175,801 10/1955 Sharps ..... D22/134  
 D. 199,737 12/1964 Cross, Jr. .... 43/53.5 X  
 D. 273,222 3/1984 Niemann ..... D22/150  
 D. 354,542 1/1995 Prince et al. .... D22/134  
 867,886 10/1907 Kriner ..... 294/26  
 2,882,084 4/1959 Eatinger ..... 294/26  
 3,556,507 1/1971 Haskell ..... 43/53.5 X

### DESCRIPTION

FIG. 1 is a perspective view of a fish handler showing my new design;  
 FIG. 2 is a side elevational view thereof, the opposite side being a mirror image thereof;  
 FIG. 3 is a bottom plan view thereof;  
 FIG. 4 is a top plan view thereof;  
 FIG. 5 is a front elevational view thereof; and,  
 FIG. 6 is a rear elevational view thereof.



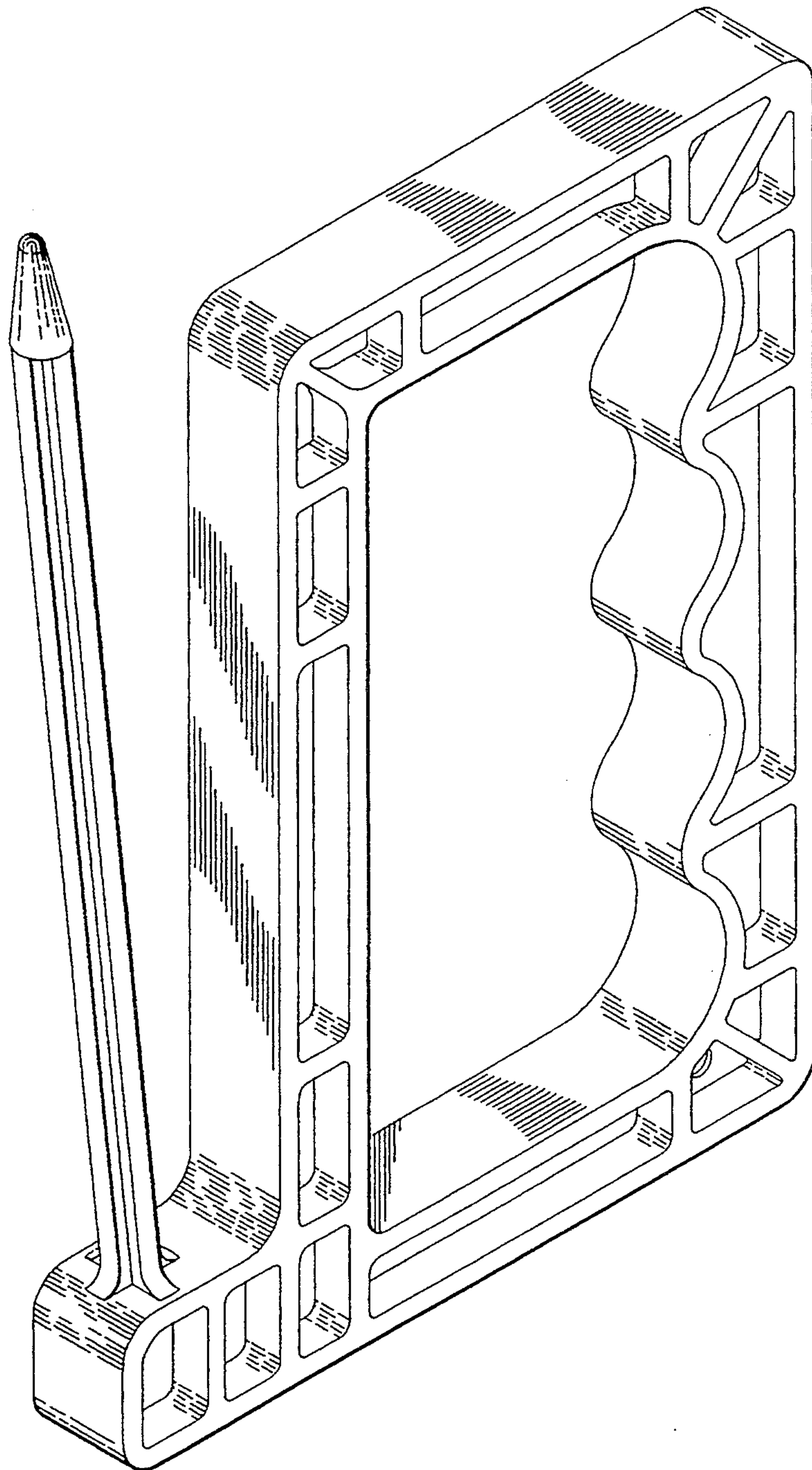


FIG. 1

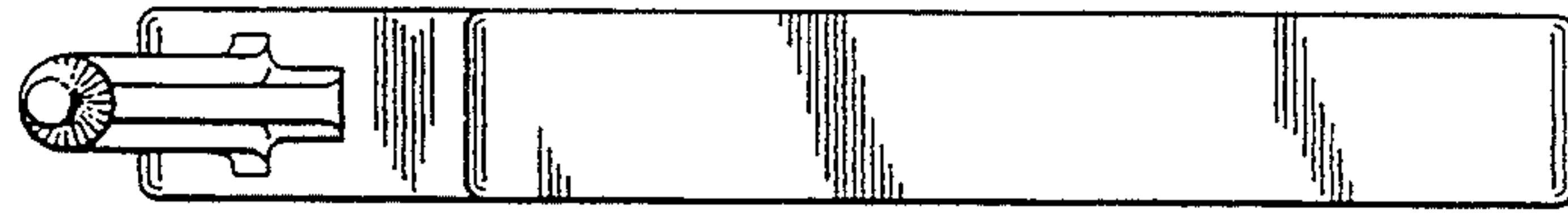


FIG. 4



FIG. 5

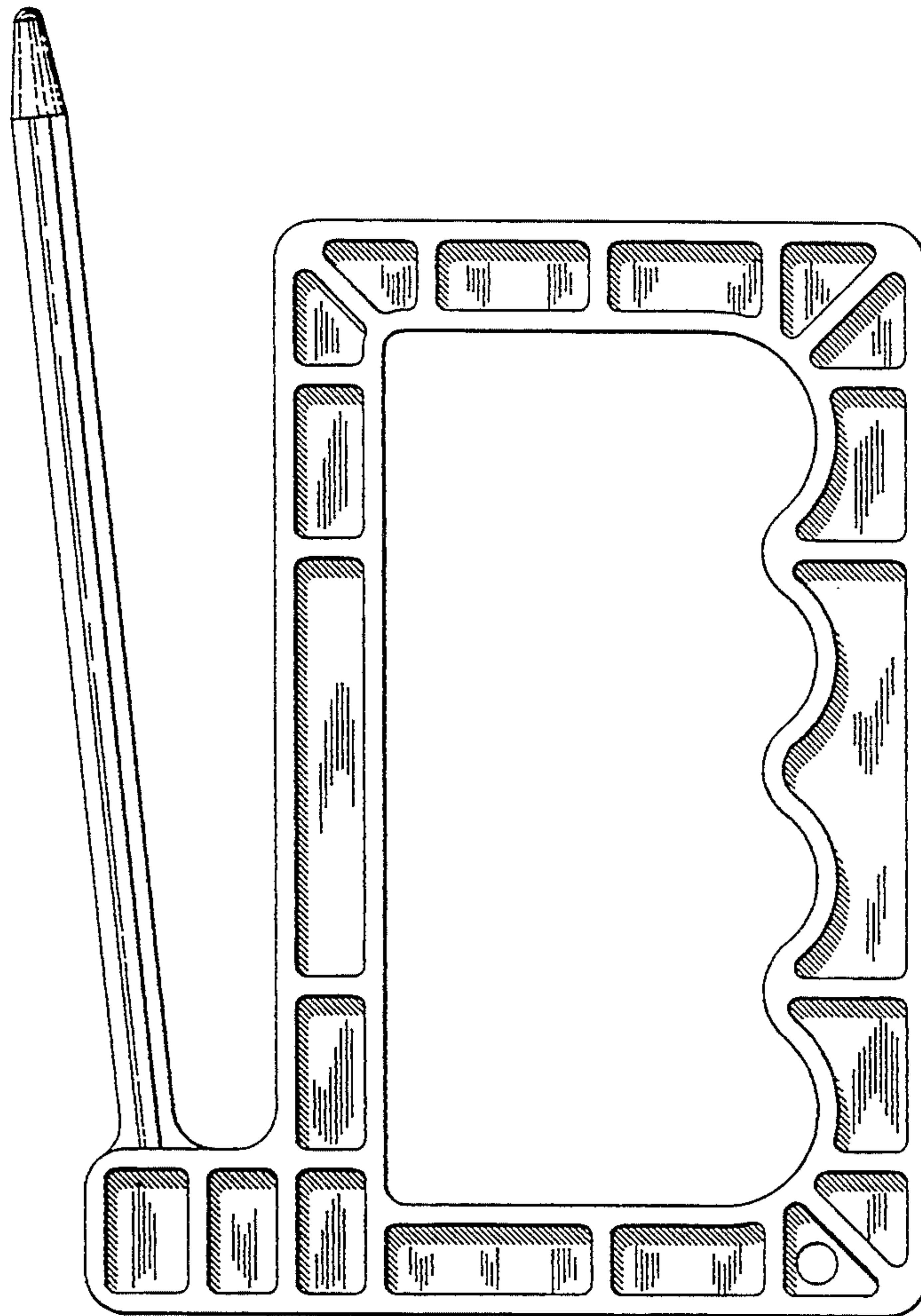


FIG. 2

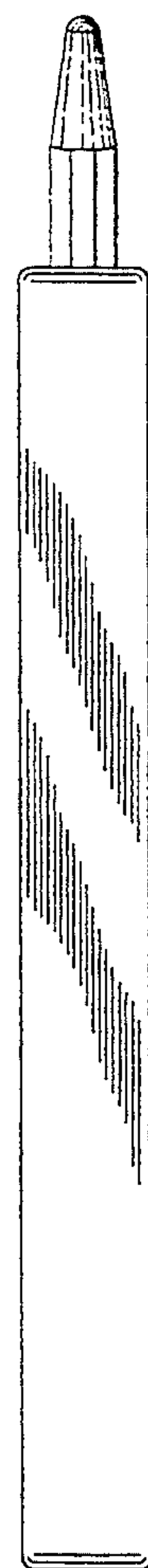


FIG. 6

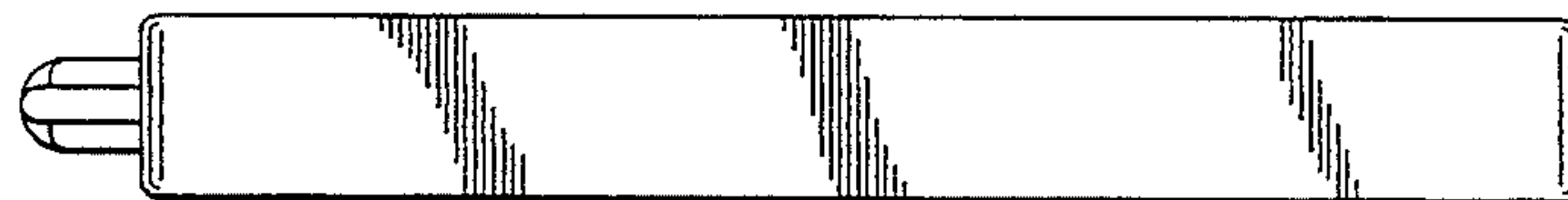


FIG. 3