



US00D362043S

# United States Patent [19]

[11] Patent Number: **Des. 362,043**

Batts et al.

[45] Date of Patent: **\*\* Sep. 5, 1995**

[54] SMOKE GUN

[76] Inventors: **Felix M. Batts**, 1717 Vineyard Dr. #1, Wilson, N.C. 27893; **Percy D. Bowens**, 505 E. Academy St., Wilson, N.C. 27839

[\*\*] Term: **14 Years**

[21] Appl. No.: **6,121**

[22] Filed: **Mar. 17, 1993**

[52] U.S. Cl. .... **D22/104; D22/112**

[58] Field of Search ..... **D22/112, 104, 102, 100, D22/137; 102/334, 329, 370; 43/127, 129; D23/223, 213; D11/131.1; 89/195, 33.1; 239/133, 136**

[56] **References Cited**

**U.S. PATENT DOCUMENTS**

D. 281,993 12/1985 Cellini ..... D22/137 X

3,109,821	11/1963	York et al. ....	102/334 X
4,291,629	9/1981	Kezer .....	102/334
4,326,119	4/1982	Swiatosz .....	43/127 X
4,349,723	9/1982	Swiatosz .....	43/129 X
4,871,115	10/1989	Hessex .....	239/133 X
4,998,479	3/1991	Perham et al. ....	43/127 X

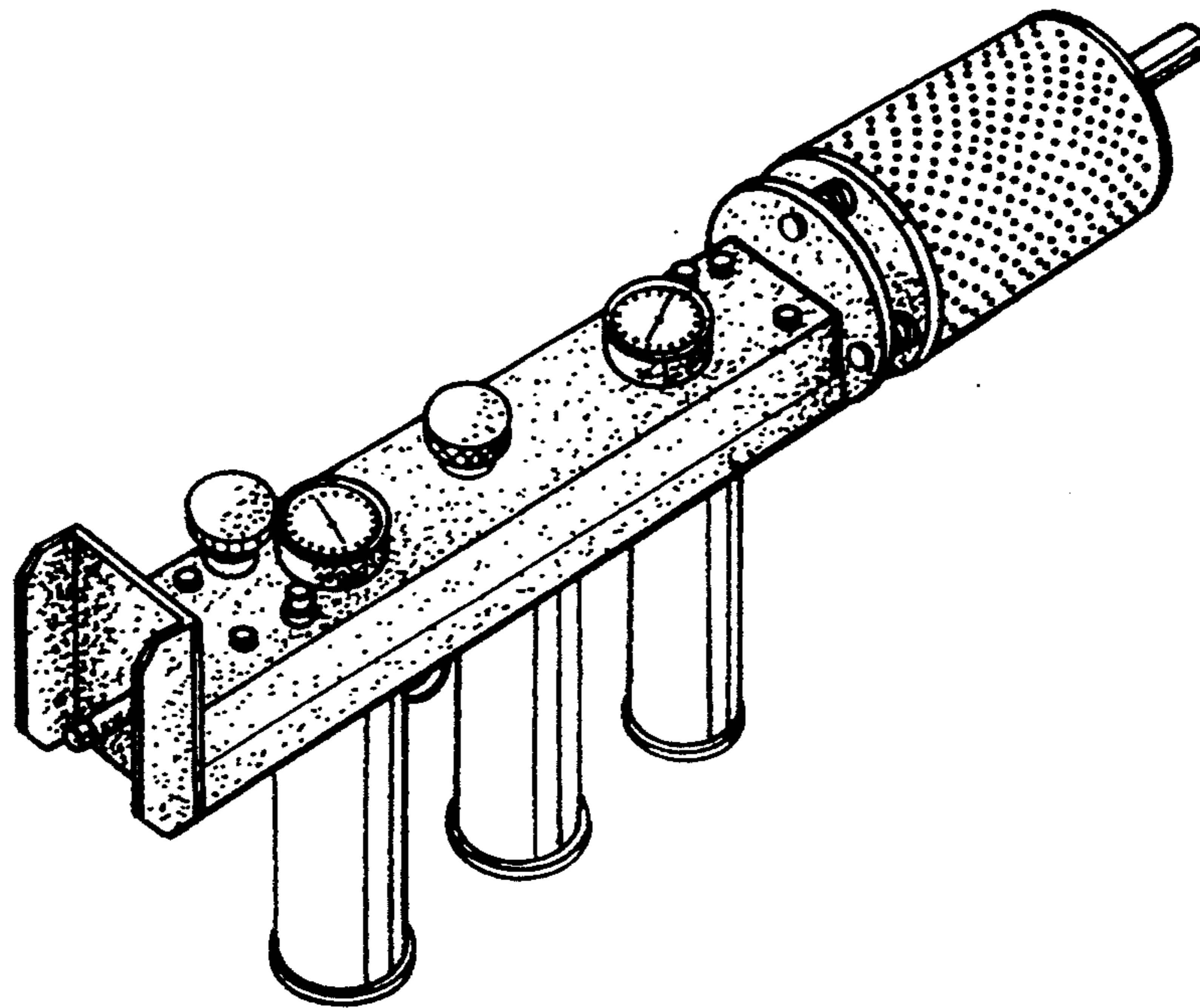
*Primary Examiner*—Doris V. Coles  
*Attorney, Agent, or Firm*—John G. Mills and Associates

[57] **CLAIM**

The ornamental design for a smoke gun, as shown.

**DESCRIPTION**

FIG. 1 is a right side elevational view of our smoke gun; FIG. 2 is a front elevational view thereof; FIG. 3 is a rear elevational view thereof; FIG. 4 is a left side elevational view thereof; FIG. 5 is a top plan view thereof; FIG. 6 is a bottom plan view thereof; and, FIG. 7 is a top rear perspective view thereof.



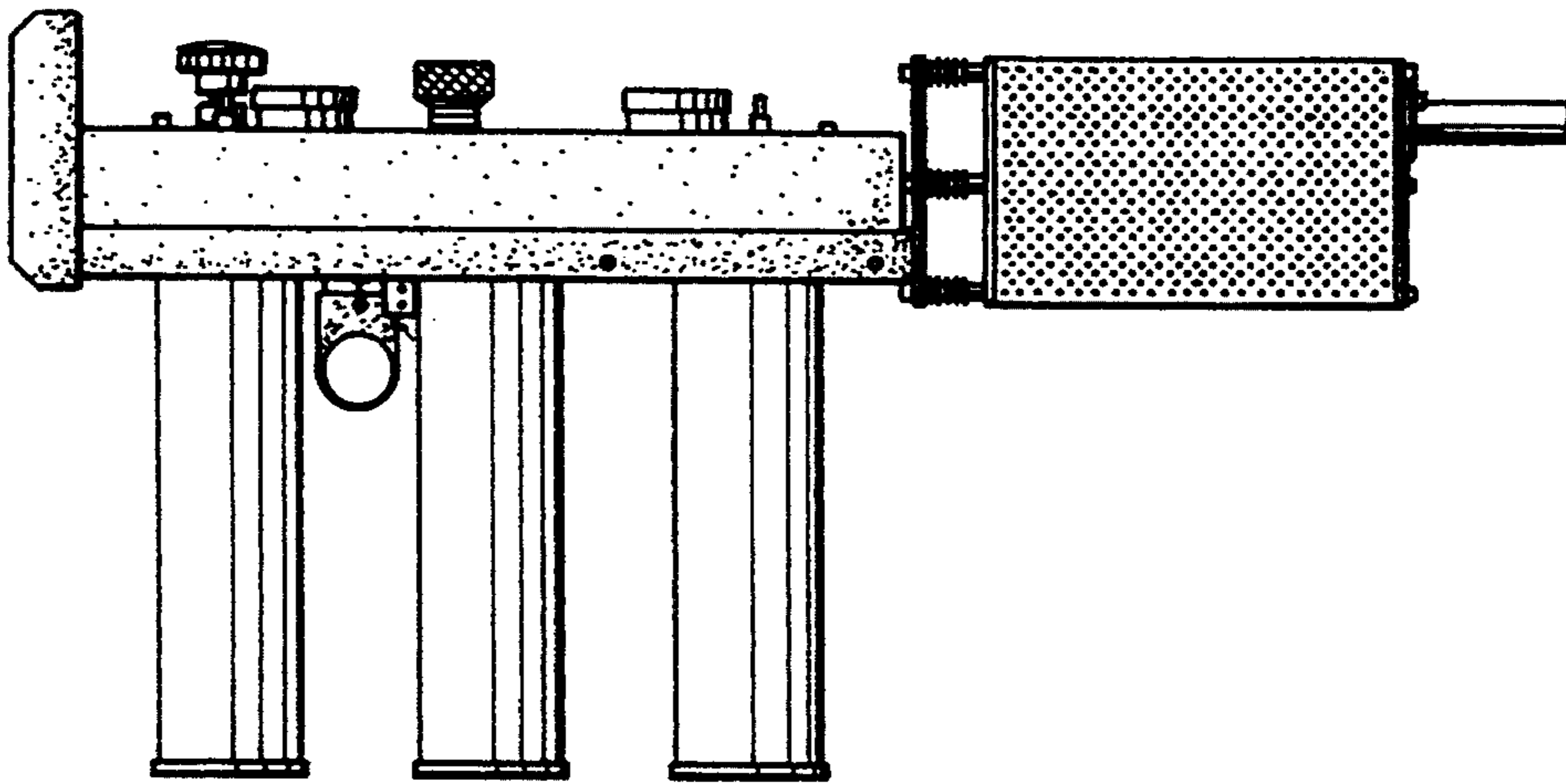


FIG. 1

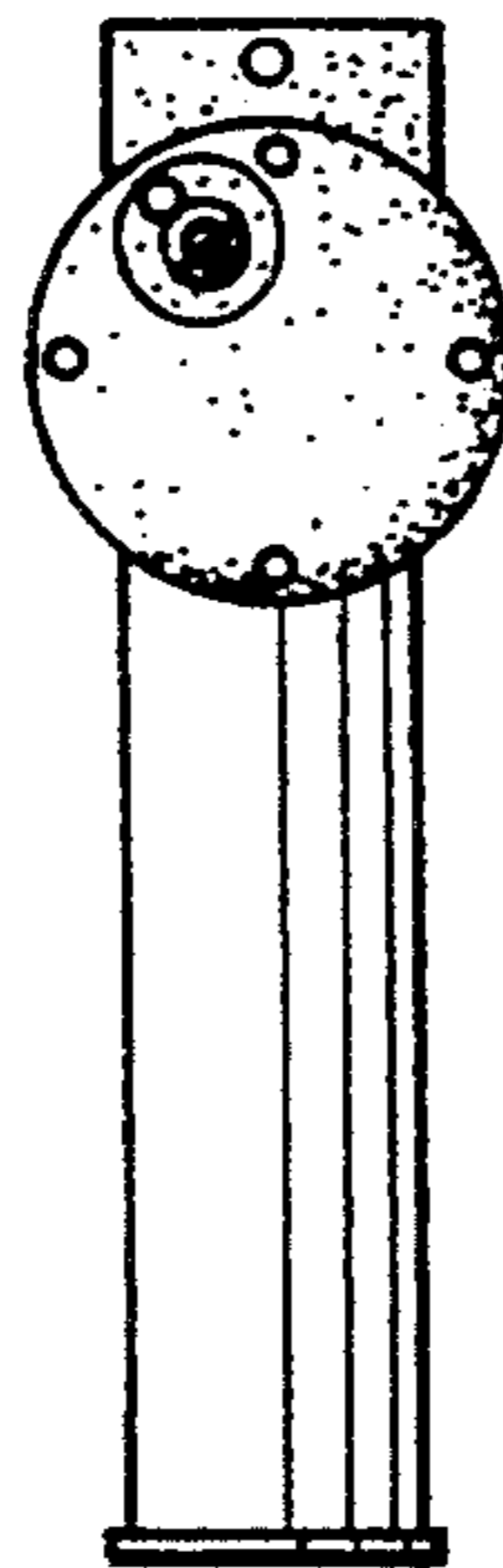


FIG. 2

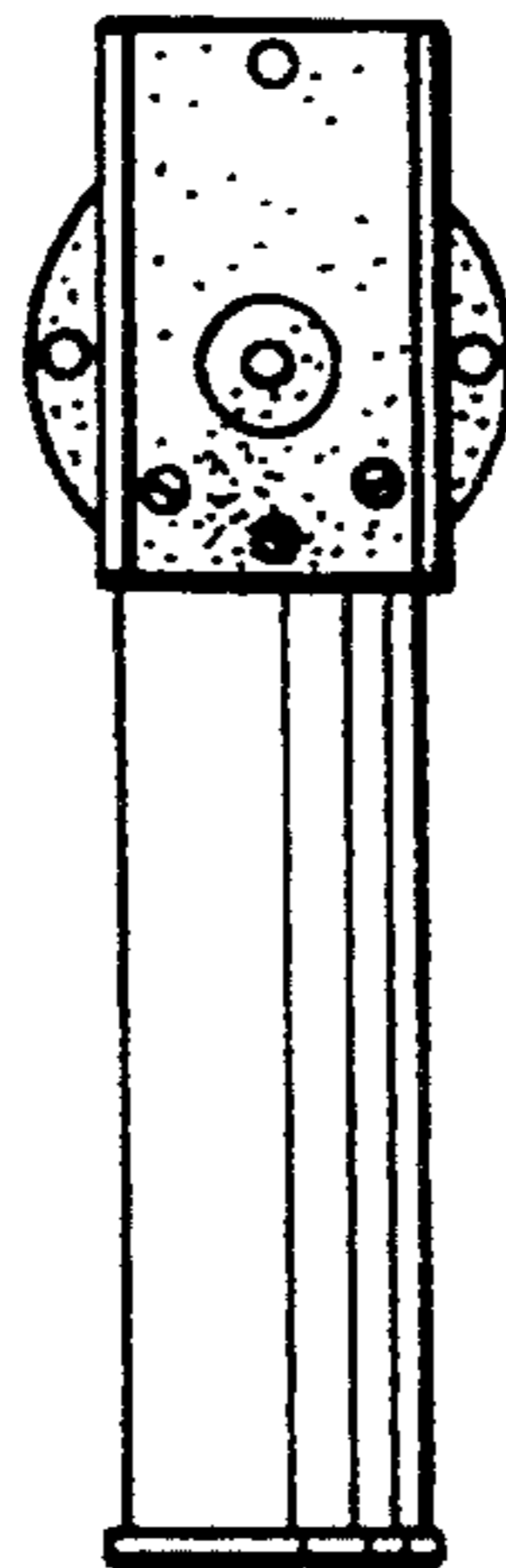


FIG. 3

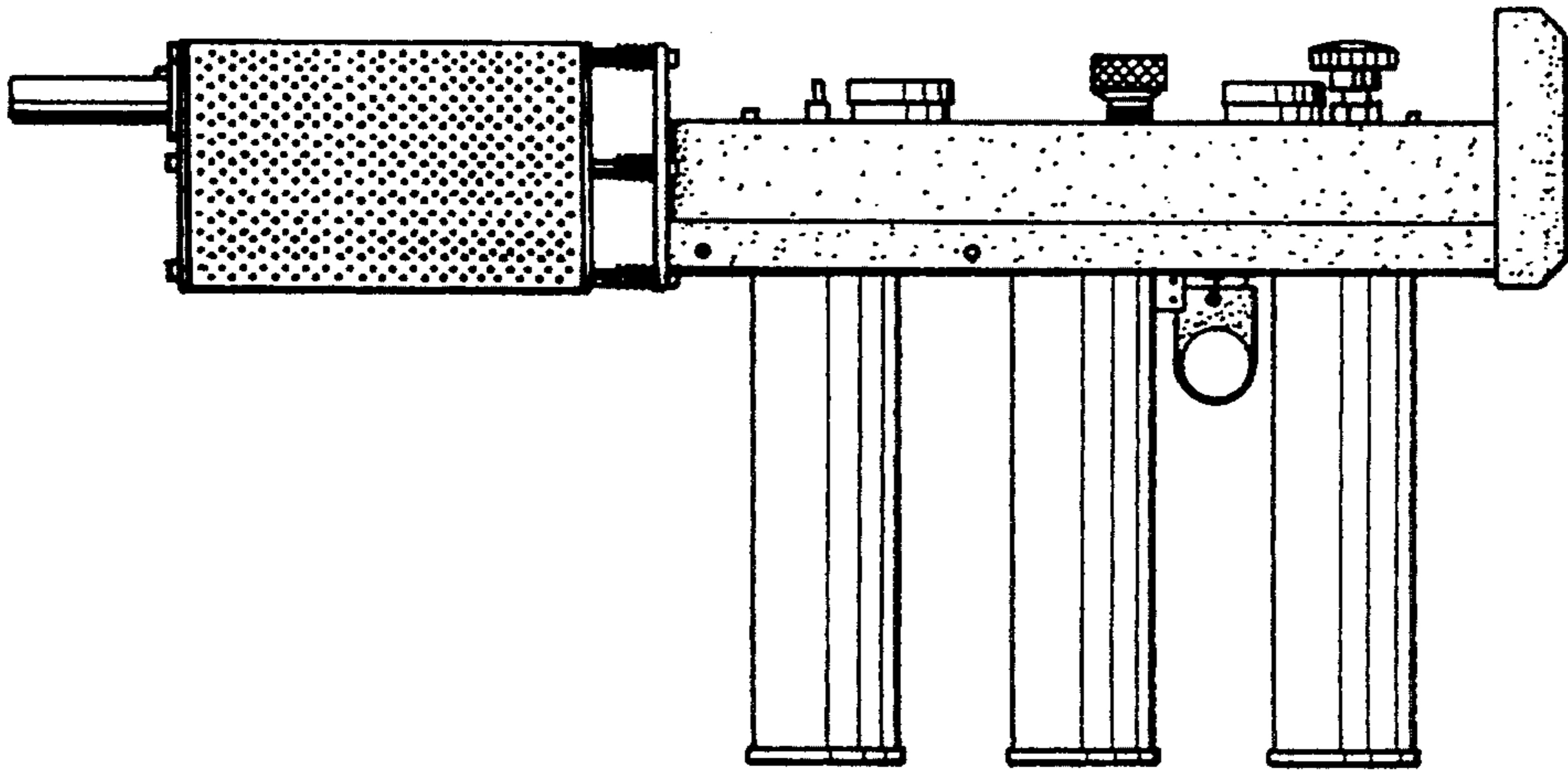


FIG. 4

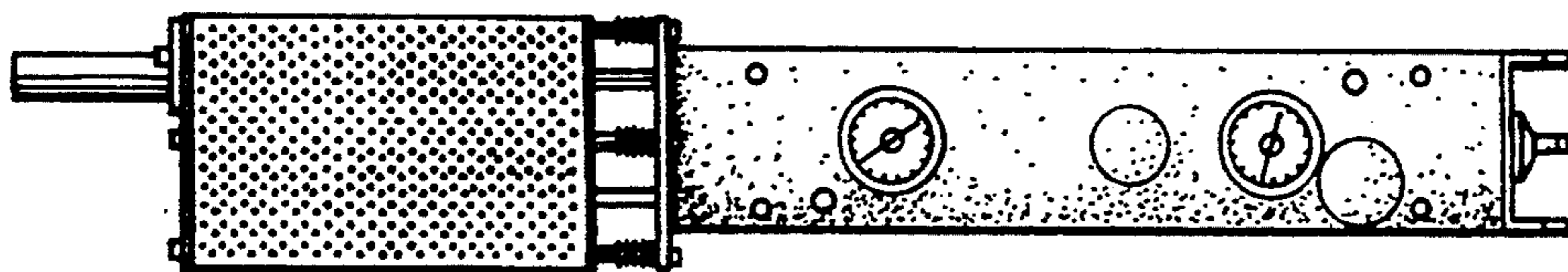


FIG. 5

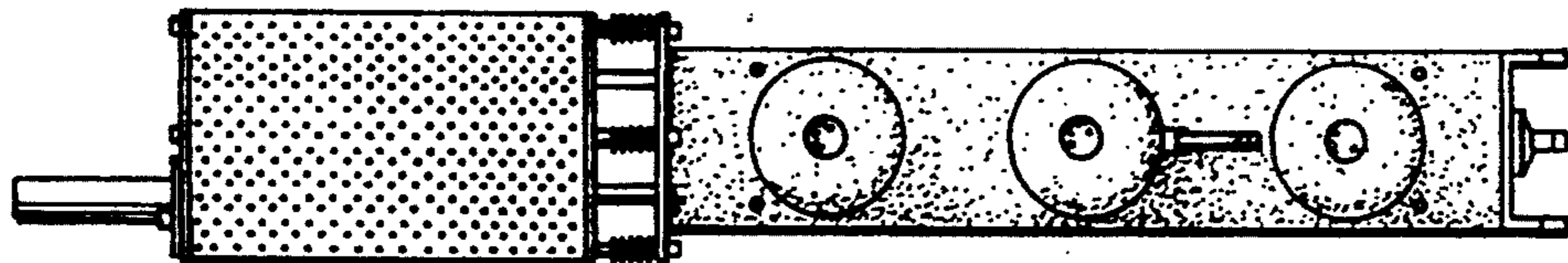


FIG. 6

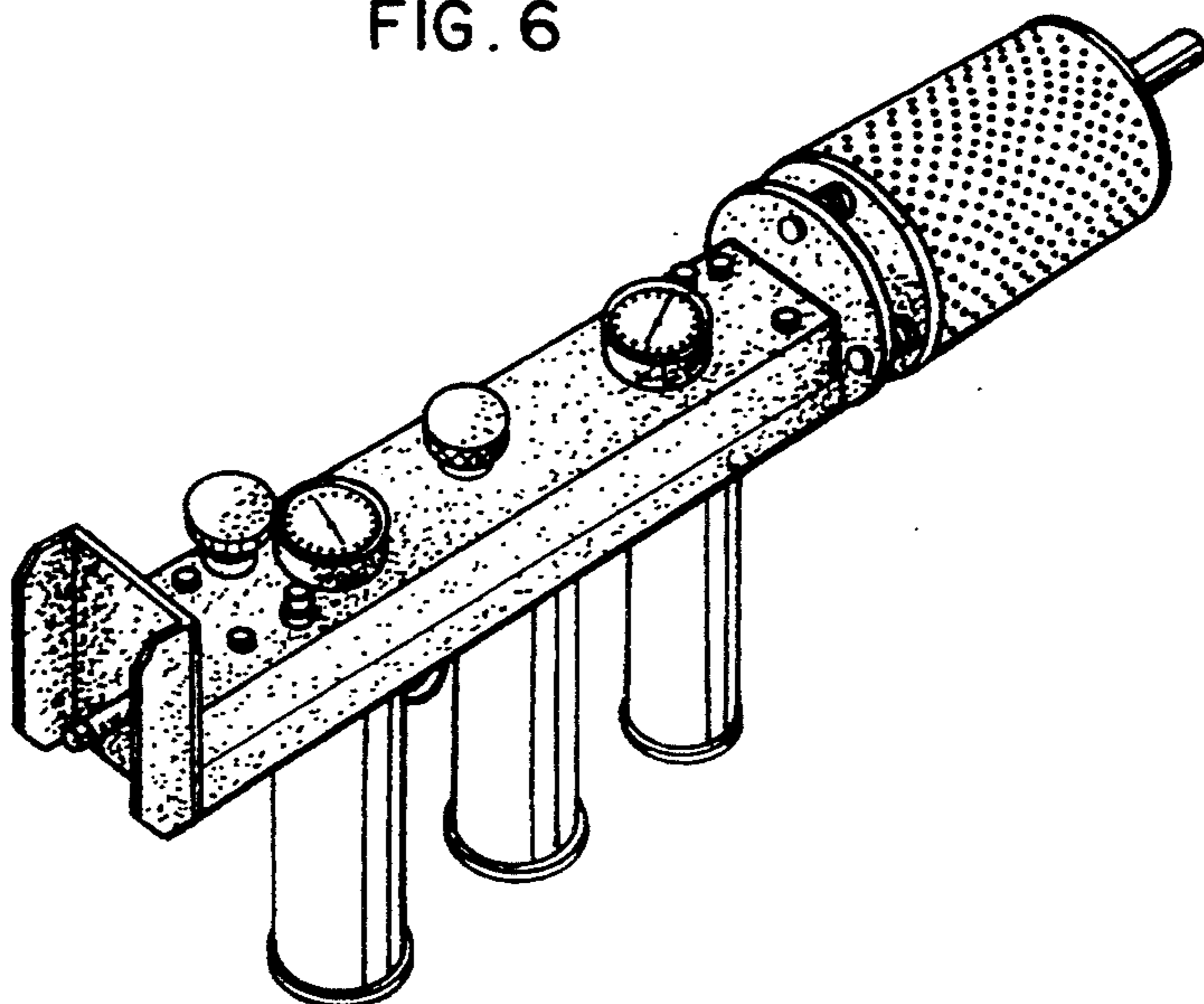


FIG. 7