



US00D362038S

United States Patent [19]

[11] Patent Number: **Des. 362,038**

Schatz

[45] Date of Patent: **** Sep. 5, 1995**

[54] **GOLF BALL RETRIEVER HEAD**
[75] Inventor: **Benjamin Schatz, Hamilton, Canada**
[73] Assignee: **Ride-Lite Campers Limited, Jerseyville, Canada**

4,411,463 10/1983 Alderman 294/19.2
4,635,987 1/1987 Hurtgam 294/19.2
5,012,872 5/1991 Cohn 273/32 B X
5,110,168 5/1992 Petrillo 294/19.2
5,246,260 9/1993 Racicot 294/19.2

[**] Term: **14 Years**

Primary Examiner—Theodore M. Shooman
Assistant Examiner—Cheri Cohen
Attorney, Agent, or Firm—Rogers & Scott

[21] Appl. No.: **25,470**

[22] Filed: **Jun. 30, 1994**

[57] **CLAIM**

[30] **Foreign Application Priority Data**

The design for a golf ball retriever head, as shown and described.

Feb. 9, 1994 [CA] Canada 1994-0226

[52] U.S. Cl. **D21/206**

DESCRIPTION

[58] Field of Search D21/206; 273/162 E, 273/162 D, 32 F; 294/19.1, 19.2, 24

FIG. 1 is a perspective view of a golf ball retriever head showing my new design;

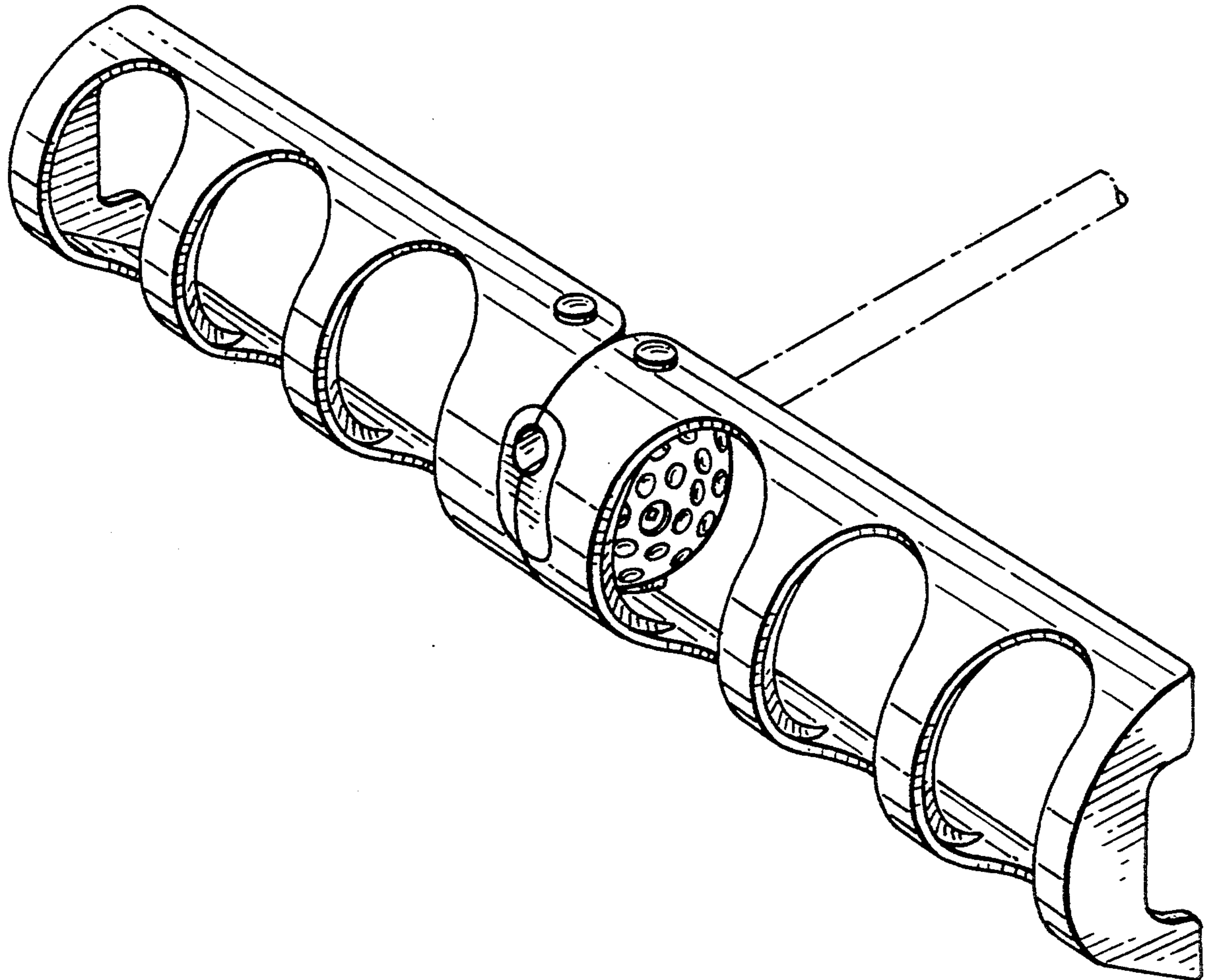
[56] **References Cited**

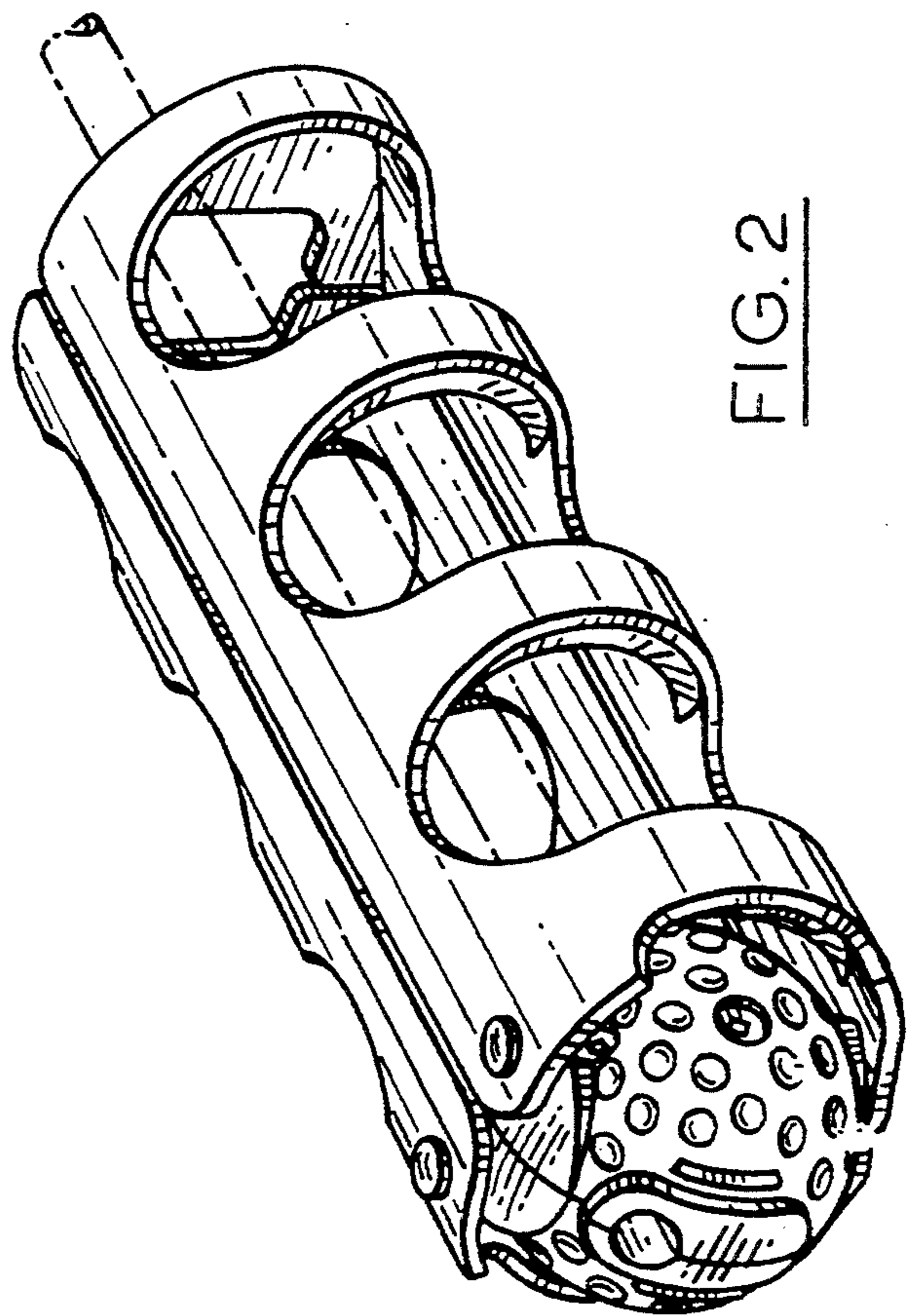
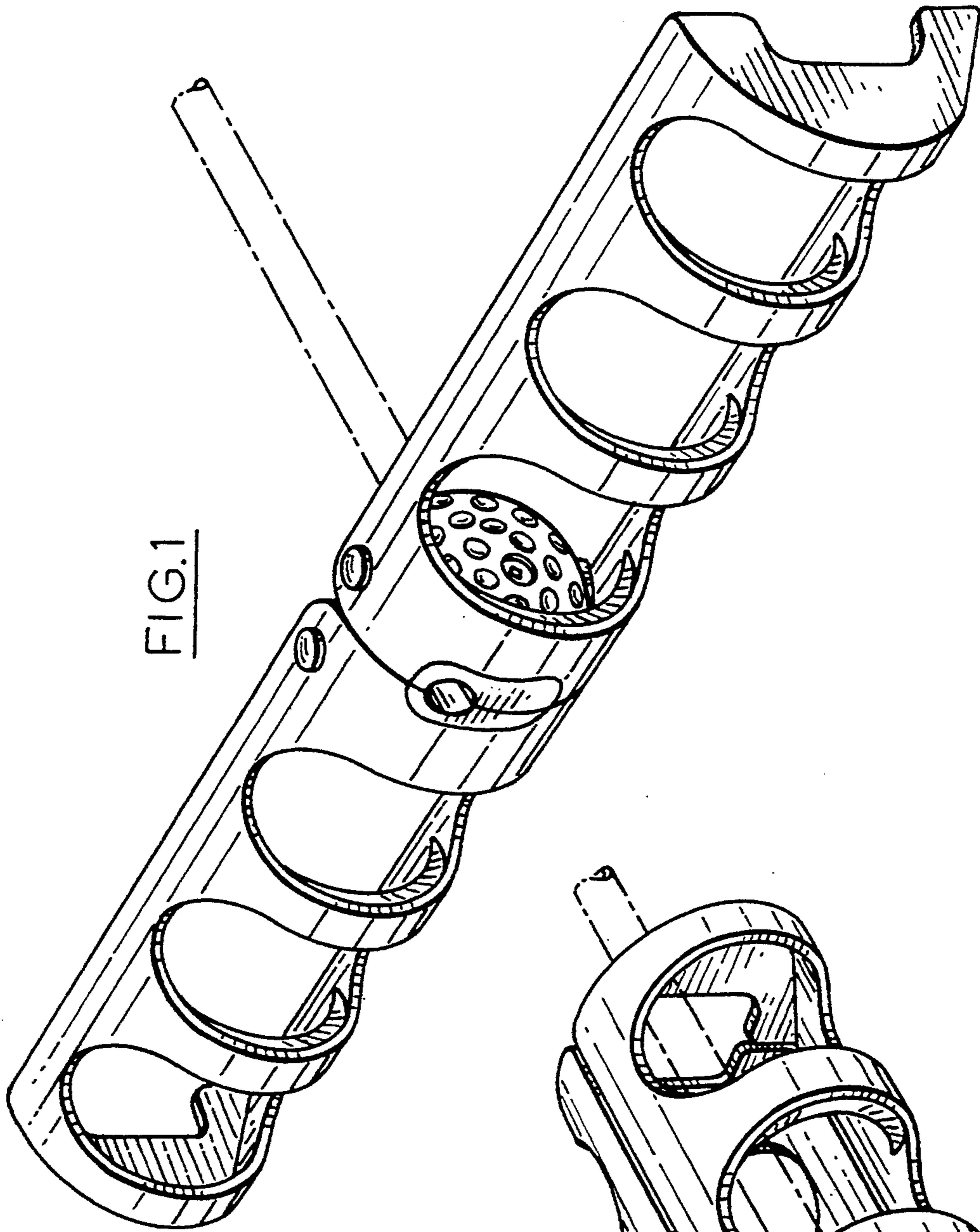
U.S. PATENT DOCUMENTS

D. 206,076 10/1966 Lehman D21/206
D. 333,857 3/1993 Schropp D21/206
4,216,831 8/1980 Ritchie 273/32 B X

FIG. 2 is a perspective view similar to FIG. 1 with the wing portions in the retracted position; and, FIG. 3 is a rear perspective view.

The broken line showing of the shaft in FIGS. 1-3 is for illustrative purposes only and forms no part of the claimed design.





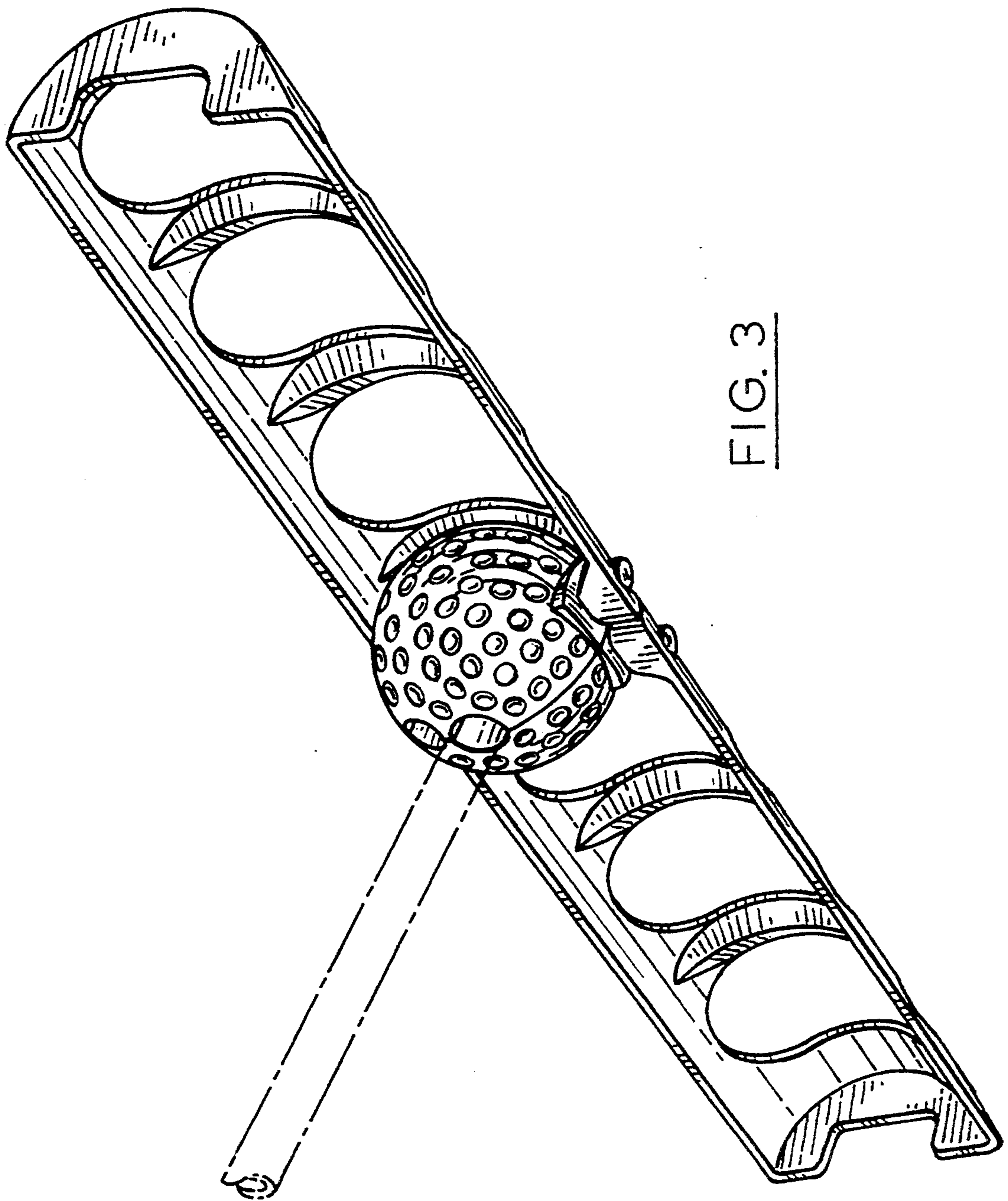


FIG. 3