



US00D362035S

United States Patent [19]

[11] Patent Number: **Des. 362,035**

Klawitter

[45] Date of Patent: **** Sep. 5, 1995**

[54] **TOY DUMP TRUCK**

[75] Inventor: **Ronald Klawitter, Berger, Mo.**

[73] Assignee: **Handi-Pac, Inc., Hermann, Mo.**

[**] Term: **14 Years**

[21] Appl. No.: **19,814**

[22] Filed: **Mar. 10, 1994**

[52] U.S. Cl. **D21/134**

[58] Field of Search **D21/59, 71, 73-79, D21/128, 132, 134, 136, 137, 141; 446/427, 428, 456, 465, 470; 280/1.13, 8.28, 87.021; D12/135**

D. 264,106	4/1982	Orenstein	D21/132
D. 289,308	4/1987	Lerch	D21/134
D. 337,625	7/1993	Uchida	D21/134
D. 338,925	8/1993	Van Huystee	D21/78
4,429,888	2/1984	Wu	280/828

Primary Examiner—Ted Shooman

Assistant Examiner—R. Barkai

Attorney, Agent, or Firm—Polster, Lieder, Woodruff & Lucchesi

[57] CLAIM

The ornamental design for toy dump truck, as shown and described.

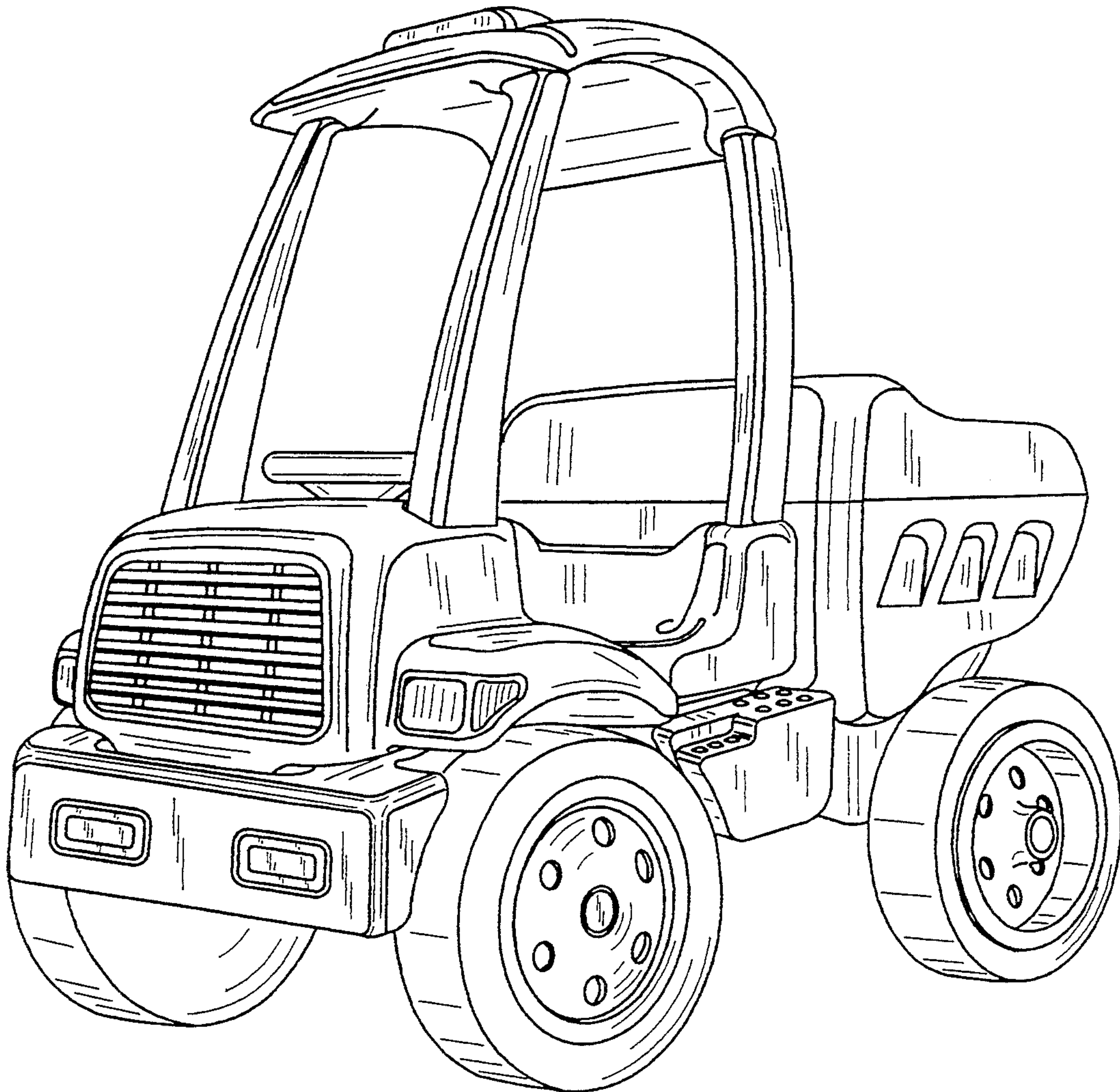
DESCRIPTION

FIG. 1 is a perspective view of my toy dump truck; FIG. 2 is a left side elevational view thereof, the right side being a mirror image of the left side; FIG. 3 is a front elevational view thereof; FIG. 4 is a rear elevational view thereof; FIG. 5 is a top plan view thereof; and, FIG. 6 is a bottom plan view thereof.

[56] References Cited

U.S. PATENT DOCUMENTS

D. 217,726	6/1970	Cohn	D21/134
D. 230,415	2/1974	Salmon	D21/134
D. 239,553	4/1976	Breneman	D21/137
D. 248,119	6/1978	Nix et al.	D21/134
D. 263,977	4/1982	Breneman	D21/134



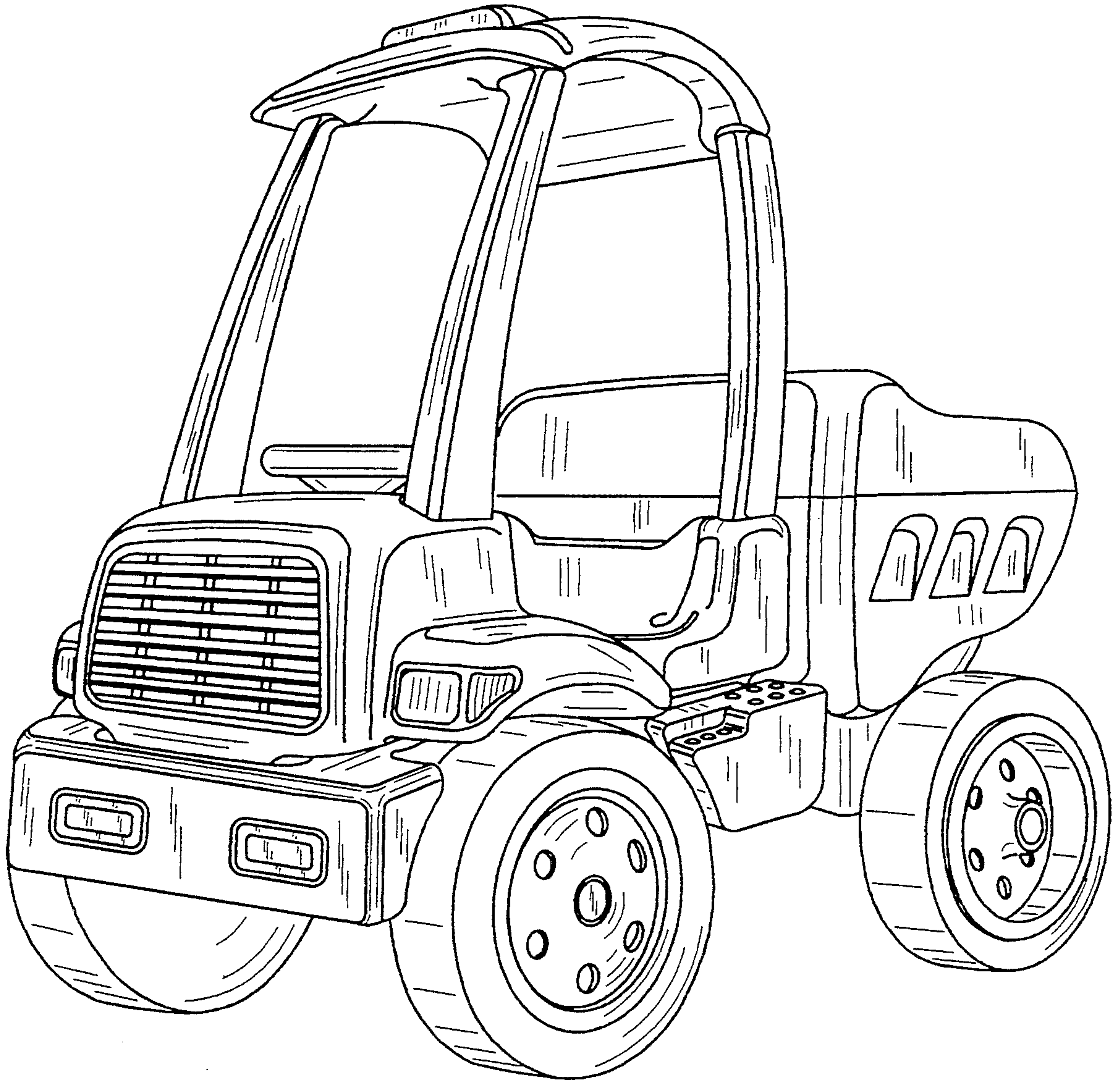


FIG. 1

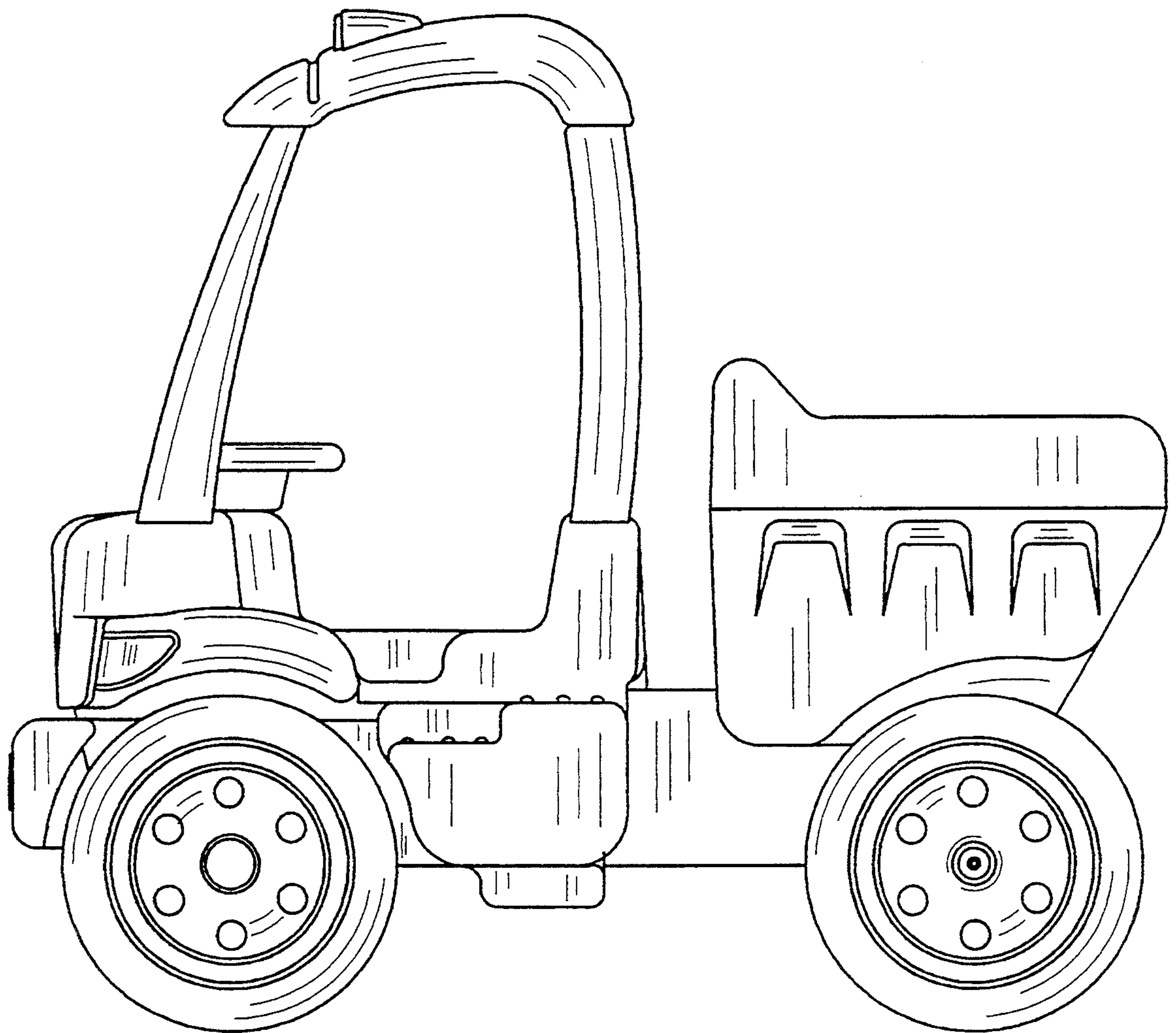


FIG. 2

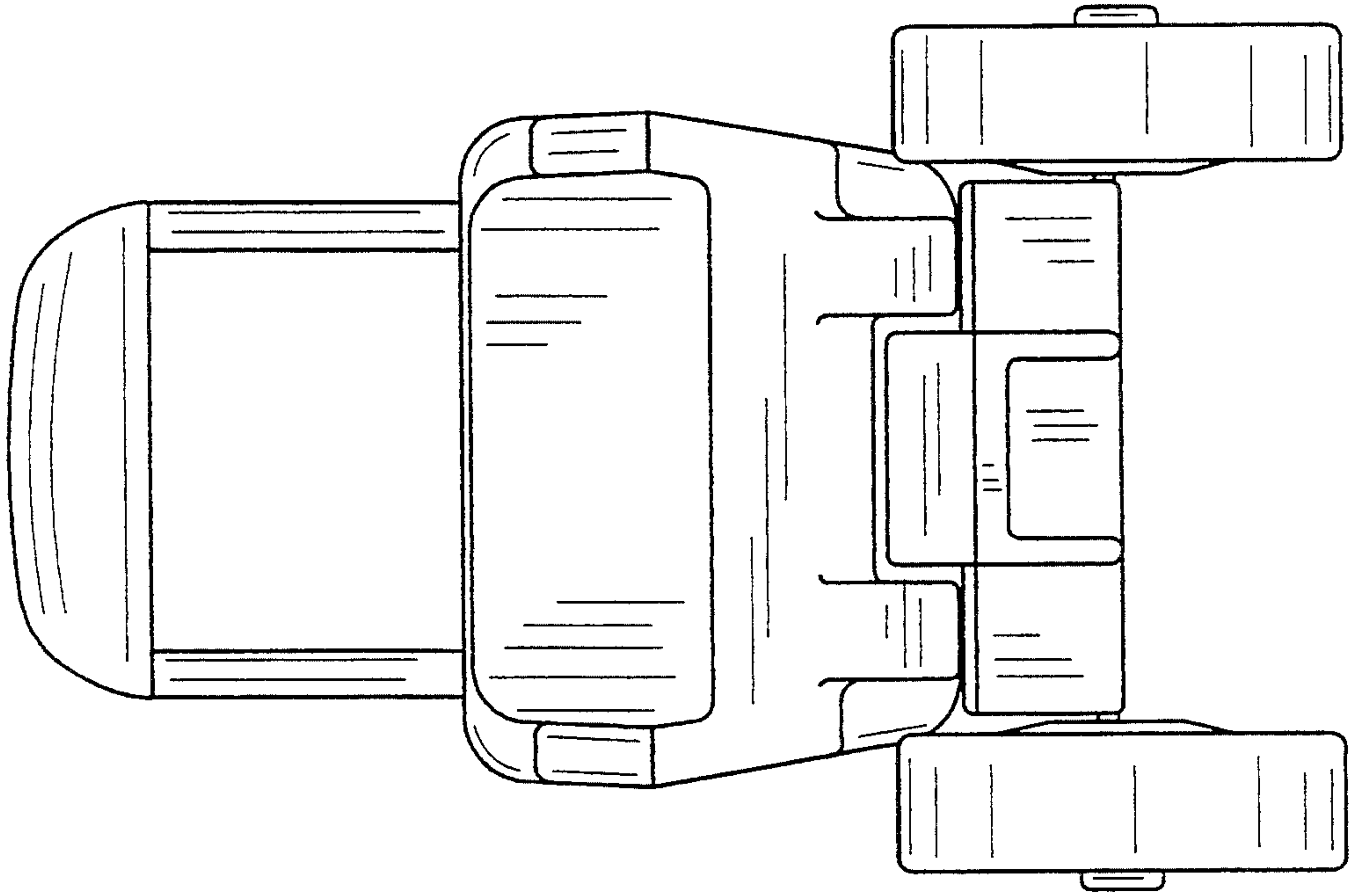


FIG. 3

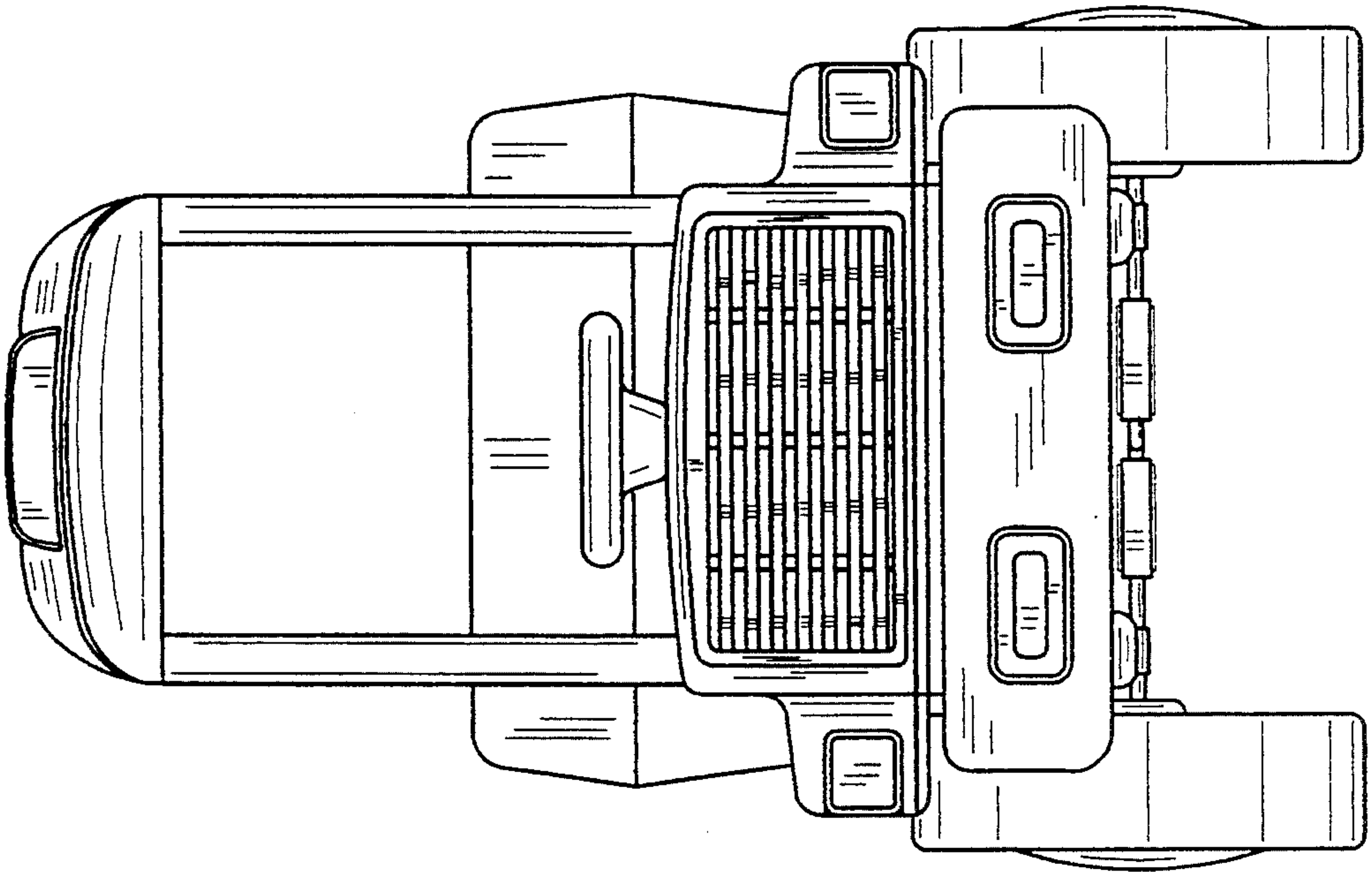


FIG. 4

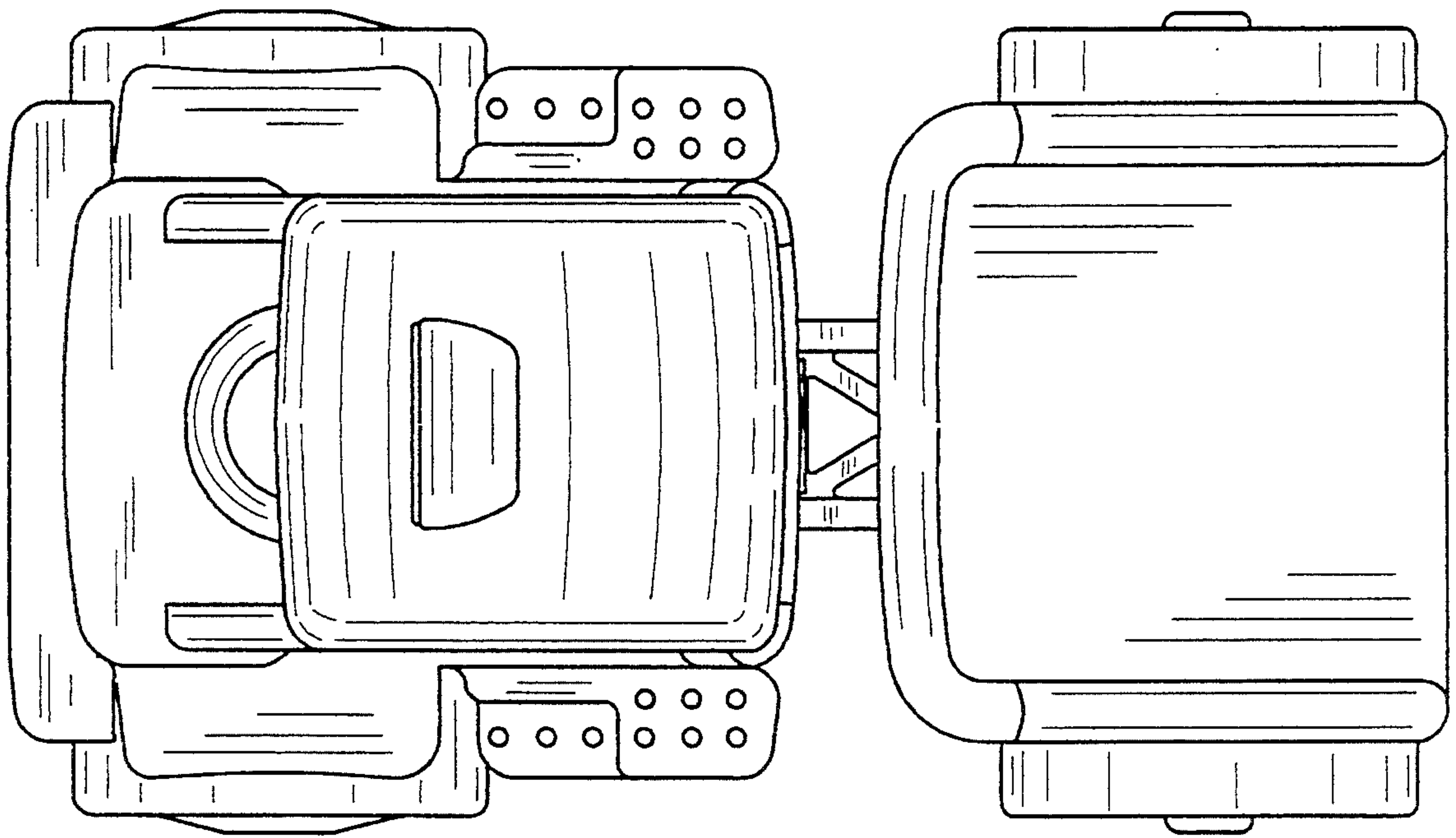


FIG. 5

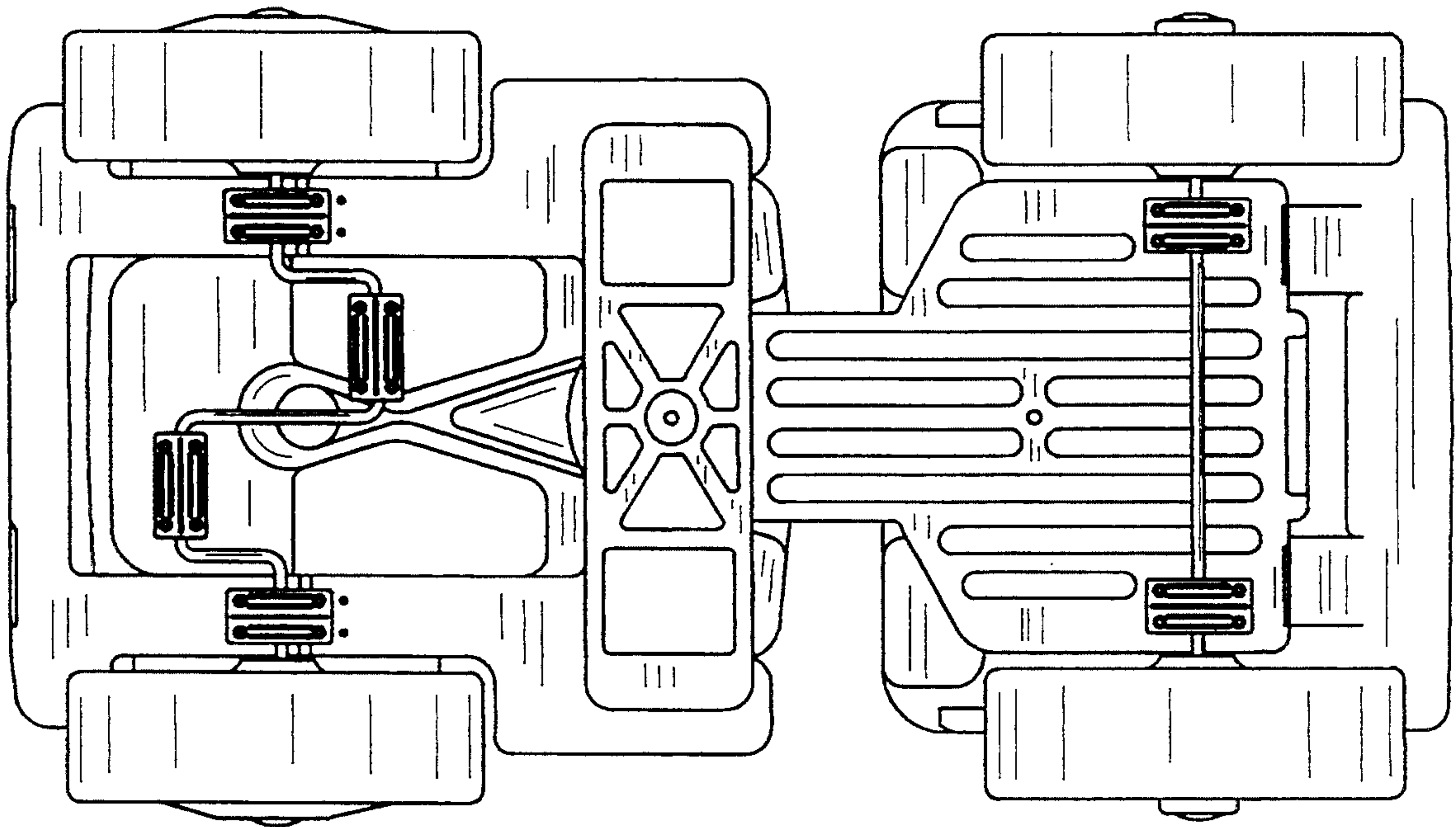


FIG. 6