



US00D362034S

United States Patent [19]
Huang

[11] **Patent Number: Des. 362,034**
[45] **Date of Patent: ** Sep. 5, 1995**

[54] **COLLAPSIBLE TOY STROLLER**
[76] **Inventor: Ming T. Huang**, 4th Fl., No. 302, Sec. 7, Cheng Teh Rd., Taipei, Taiwan
[**] **Term: 14 Years**
[21] **Appl. No.: 17,379**
[22] **Filed: Jan. 12, 1994**
[52] **U.S. Cl. D21/134**
[58] **Field of Search D21/123, 128, 134; D12/129; D6/333, 389, 390, 391; 446/76, 451, 465; 280/30, 31, 47.38, 642, 650, 658**

3,070,385 12/1962 Claessens 280/642
4,116,465 9/1978 MacLaren 280/647
4,597,116 7/1986 Kassai 280/642

Primary Examiner—Terry A. Wallace
Assistant Examiner—R. Barkai
Attorney, Agent, or Firm—Calvin B. Ward

[57] **CLAIM**

The ornamental design for a collapsible toy stroller, as shown and described.

DESCRIPTION

FIG. 1 is front-right perspective view of a collapsible toy stroller, showing my new design;
FIG. 2 is a front elevational view thereof;
FIG. 3 is a rear elevational view thereof;
FIG. 4 is a right elevational view thereof, the opposite side being a mirror image;
FIG. 5 is a top plan view thereof;
FIG. 6 is a bottom plan view thereof; and,
FIG. 7 is a perspective view showing the collapsible toy stroller in a collapsed status.

[56] **References Cited**

U.S. PATENT DOCUMENTS

D. 305,013 12/1989 Bigo et al. D12/129
D. 325,550 4/1992 Kato et al. D12/129
D. 333,599 3/1993 Wojtkiewicz D6/333
D. 344,701 3/1994 Church D12/129
2,013,910 9/1935 Burst 280/642
2,447,705 8/1948 Macip 280/642
2,617,670 11/1952 Welsh 280/642





FIG. 1

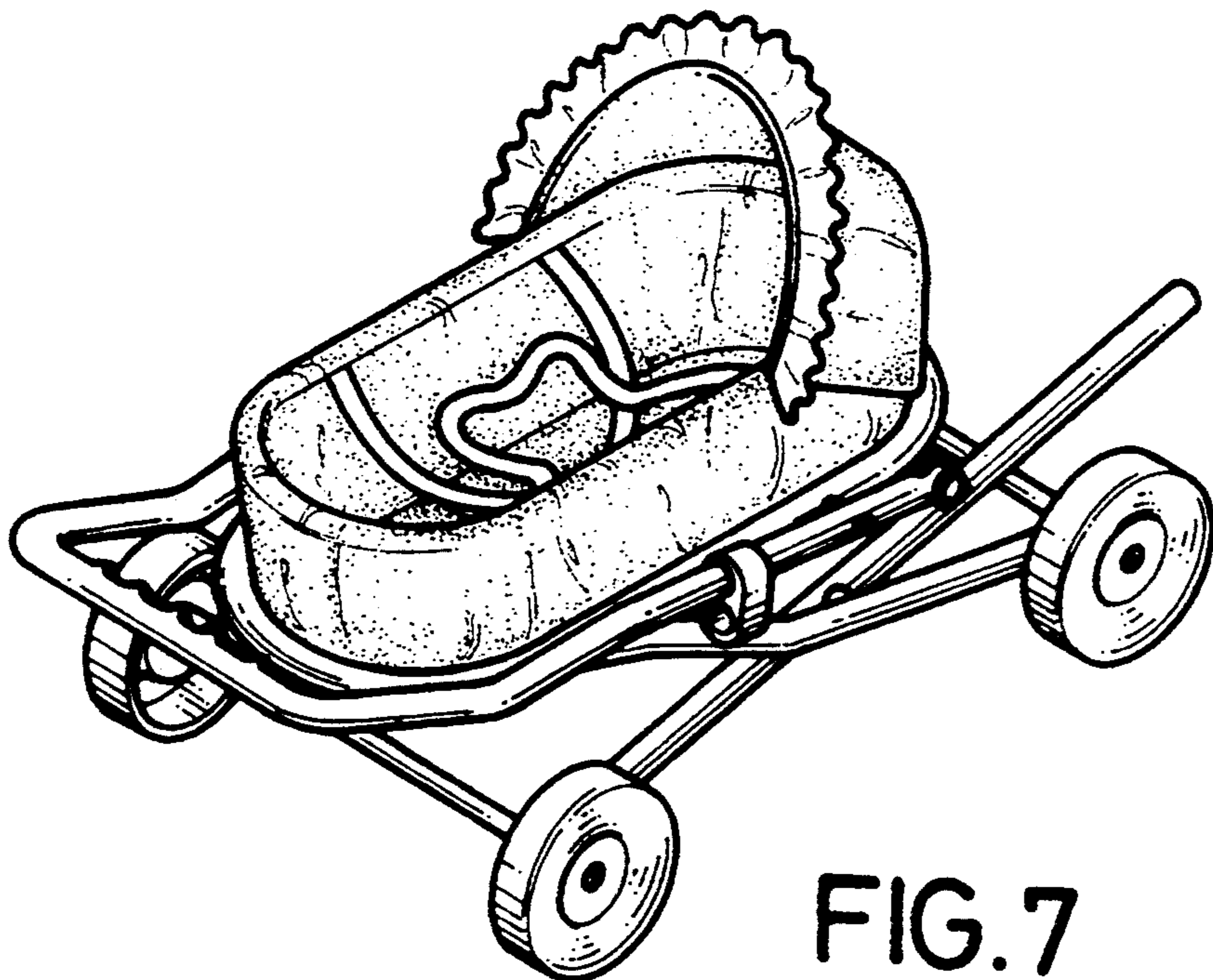


FIG. 7

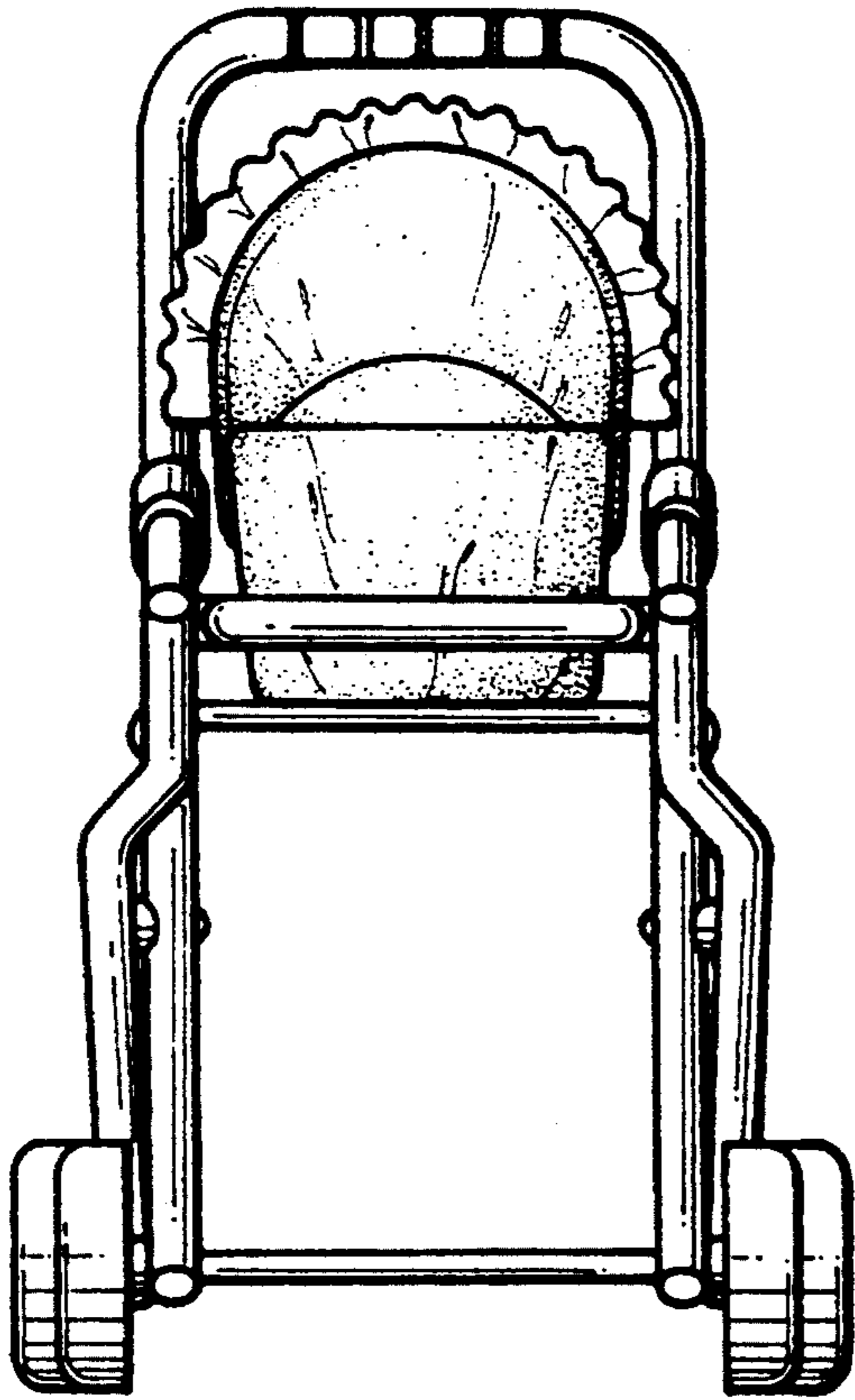


FIG. 2

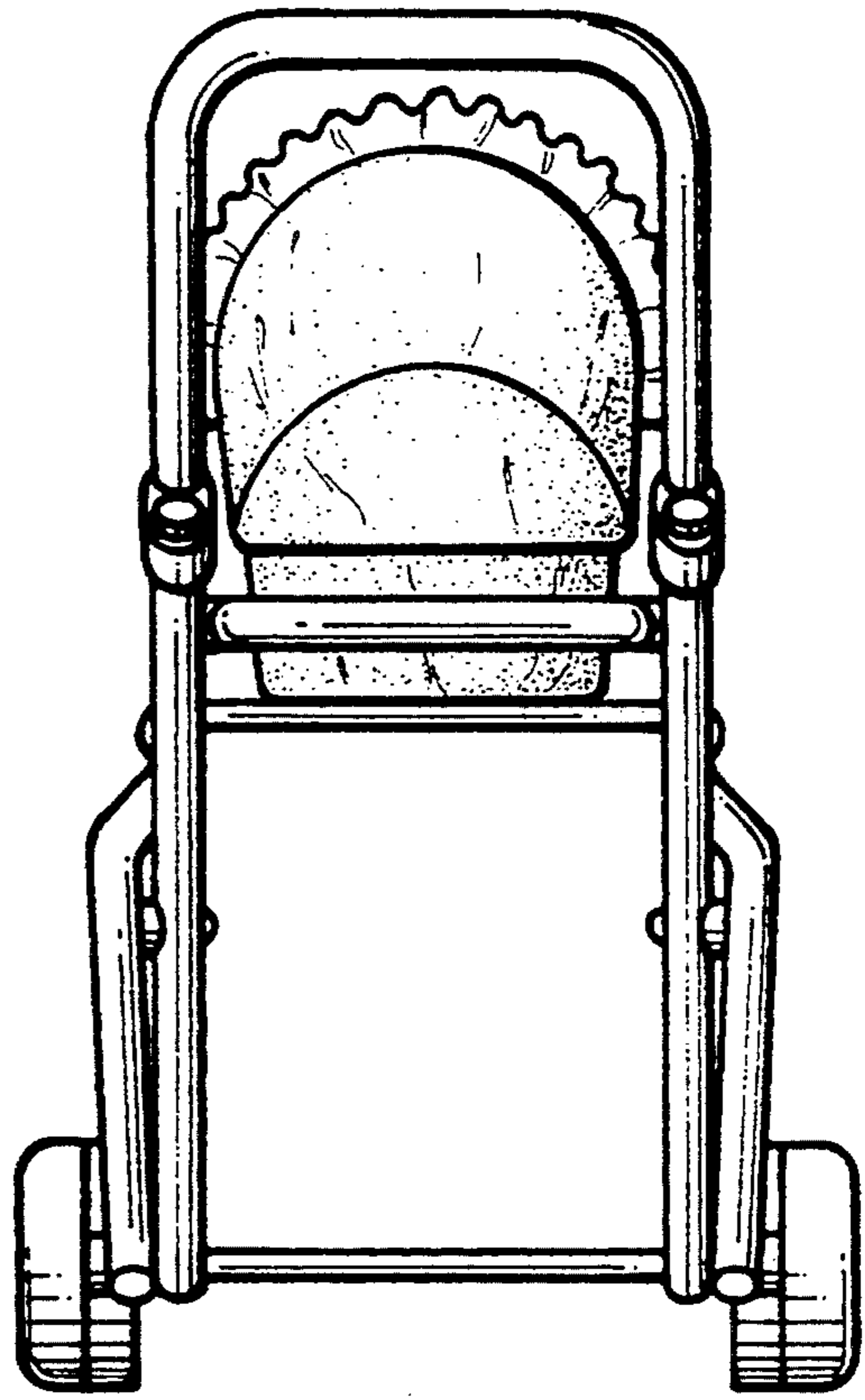


FIG. 3

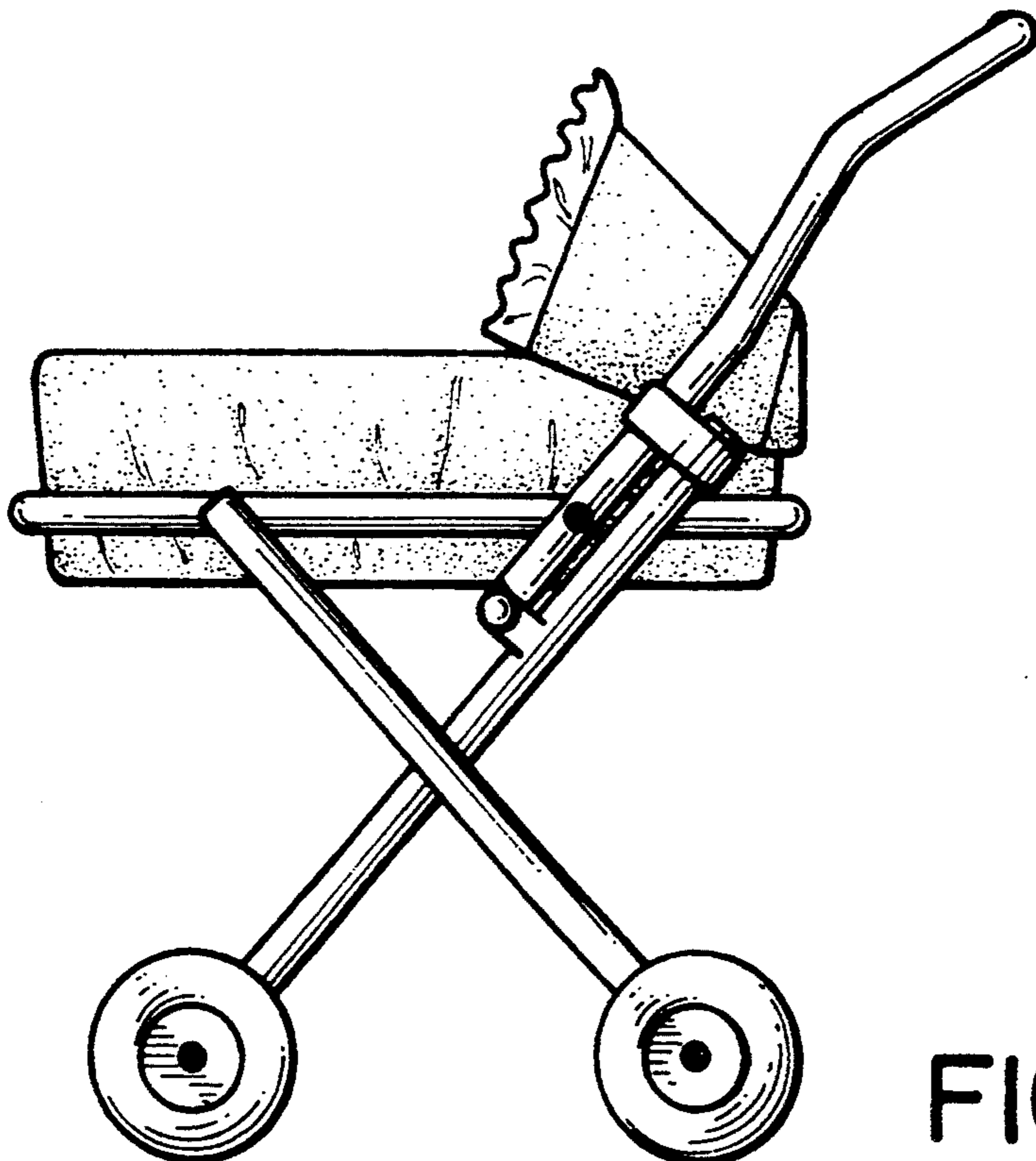


FIG. 4

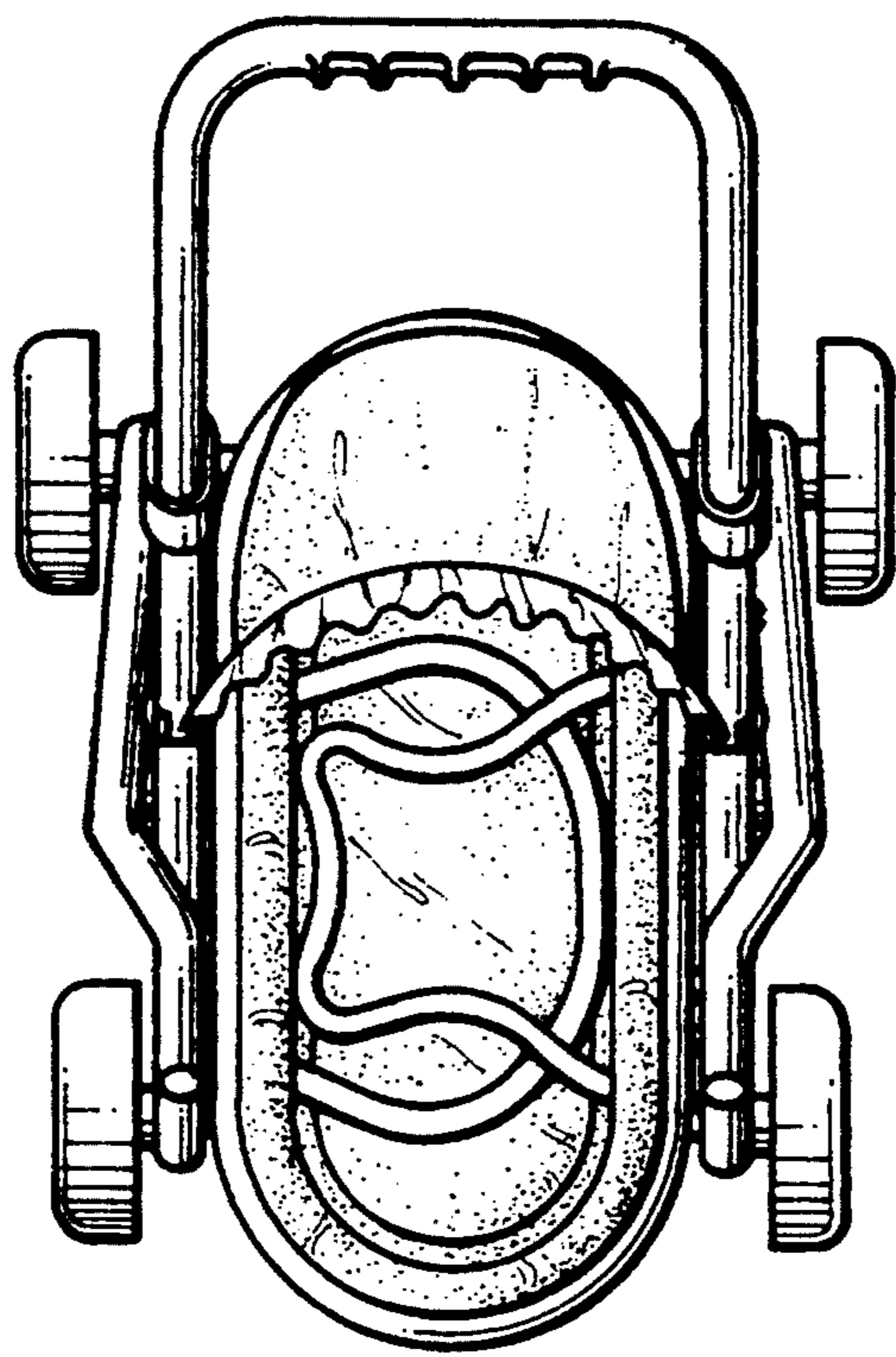


FIG. 5

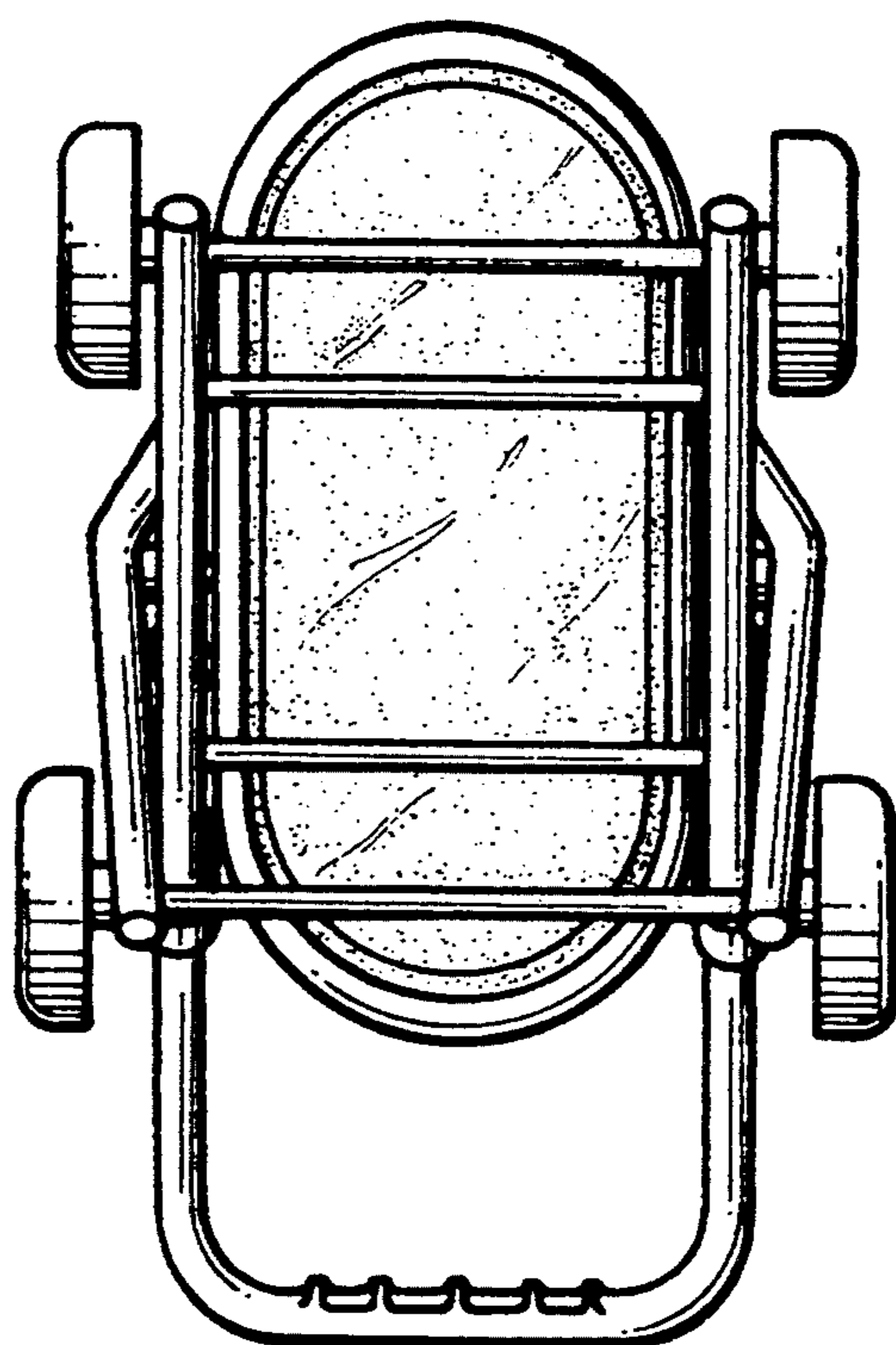


FIG. 6