



US00D362024S

United States Patent [19]

[11] Patent Number: **Des. 362,024**

Summa

[45] Date of Patent: **** Sep. 5, 1995**

[54] **ADVERTISING KIOSK**

[75] Inventor: **John M. Summa**, Berea, Ohio

[73] Assignee: **Kiosk International Inc.**,
Independence, Ohio

[**] Term: **14 Years**

[21] Appl. No.: **22,411**

[22] Filed: **May 2, 1994**

[52] U.S. Cl. **D20/10; D25/16**

[58] Field of Search **D25/16, 7, 18, 19, 10;**
D20/10, 16, 21, 28; 40/606, 607, 619

D. 296,221 6/1988 Kissler D20/10
 D. 314,014 1/1991 Decaux D20/10
 D. 330,392 10/1992 Vazeille et al. D20/10
 4,608,773 9/1986 White 40/606

Primary Examiner—Doris V. Coles
Attorney, Agent, or Firm—Michael Sand Co.

[57] CLAIM

The ornamental design for an advertising kiosk, as shown and described.

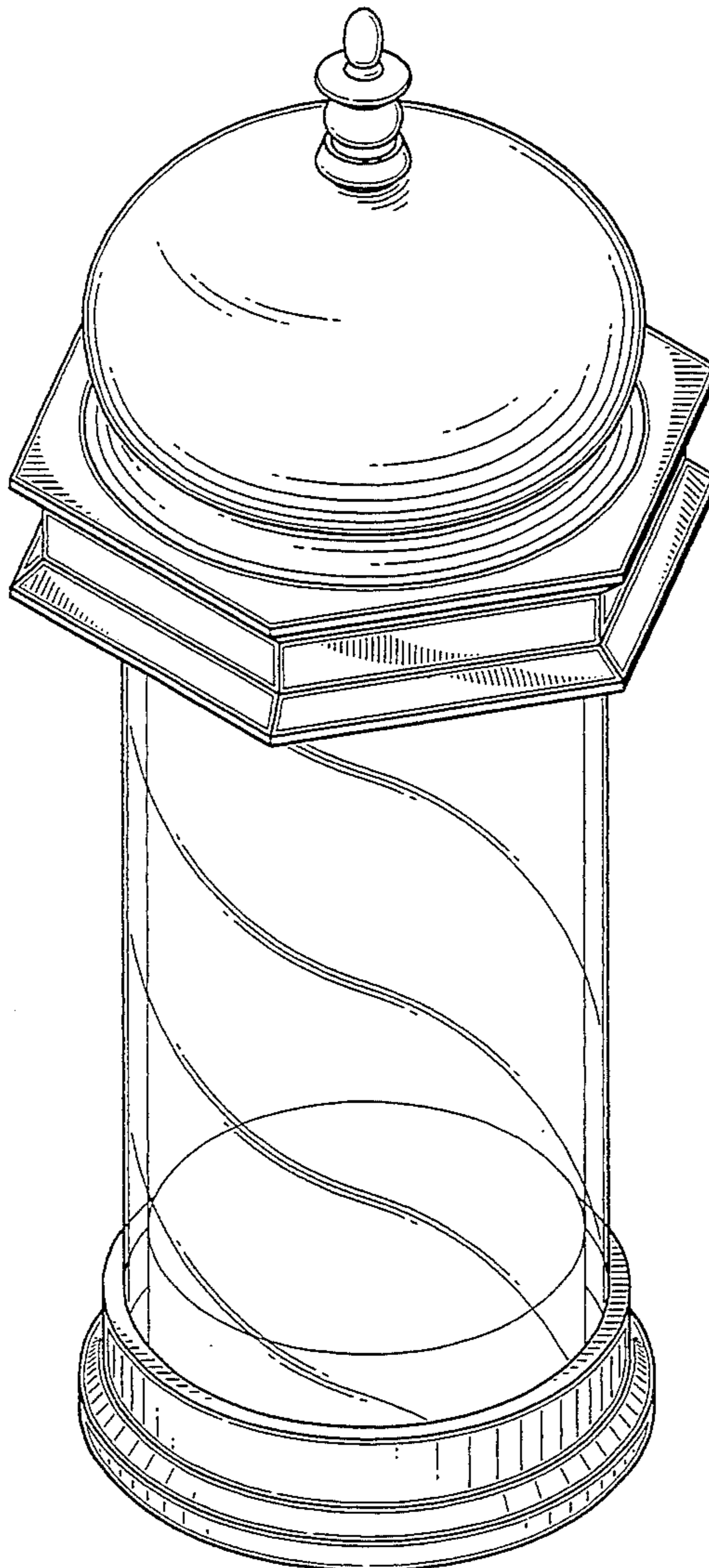
DESCRIPTION

FIG. 1 is a perspective view of an advertising kiosk showing my new design;
 FIG. 2 is a reduced side elevational view of the advertising kiosk shown in FIG. 1;
 FIG. 3 is another side elevational view of the advertising kiosk oriented 90° with respect to that of FIG. 2;
 FIG. 4 is a top plan view thereof; and,
 FIG. 5 is a bottom plan view thereof.

[56] **References Cited**

U.S. PATENT DOCUMENTS

D. 44,017 5/1913 Massey D25/16 X
 D. 48,867 4/1916 Newman D25/16 X
 D. 274,629 7/1984 Plumettaz D20/10
 D. 289,062 3/1987 Paulmier D20/10



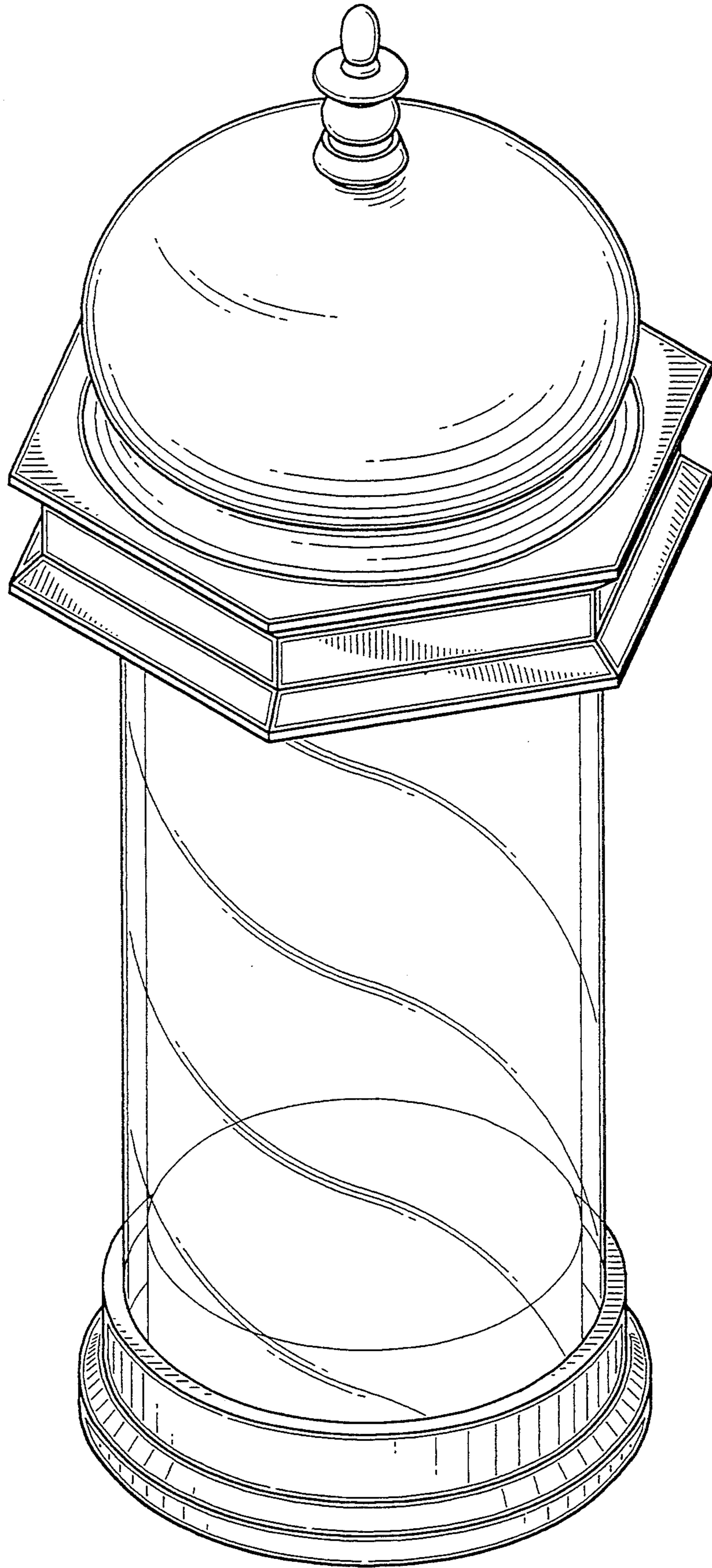


FIG-1

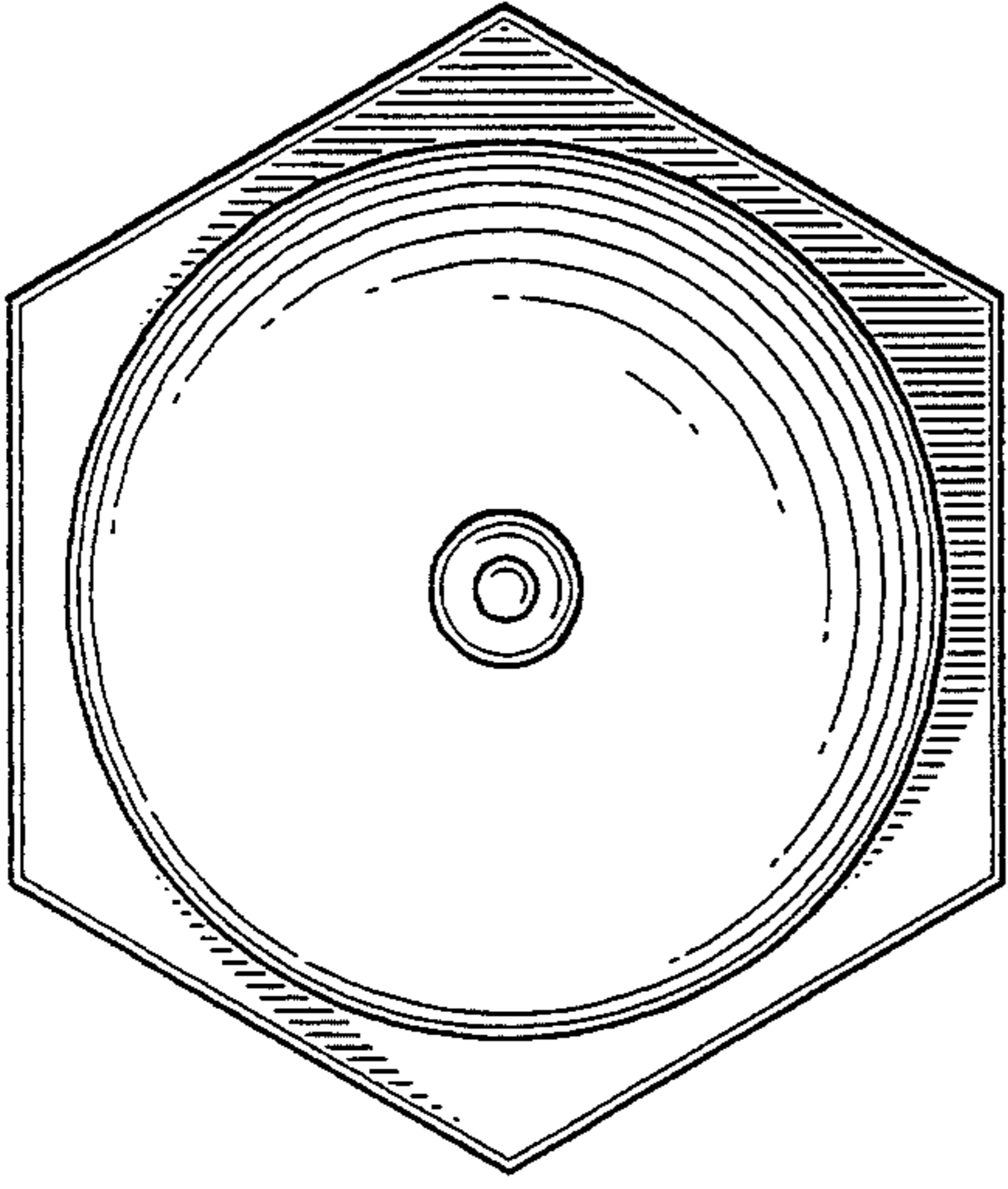


FIG-4

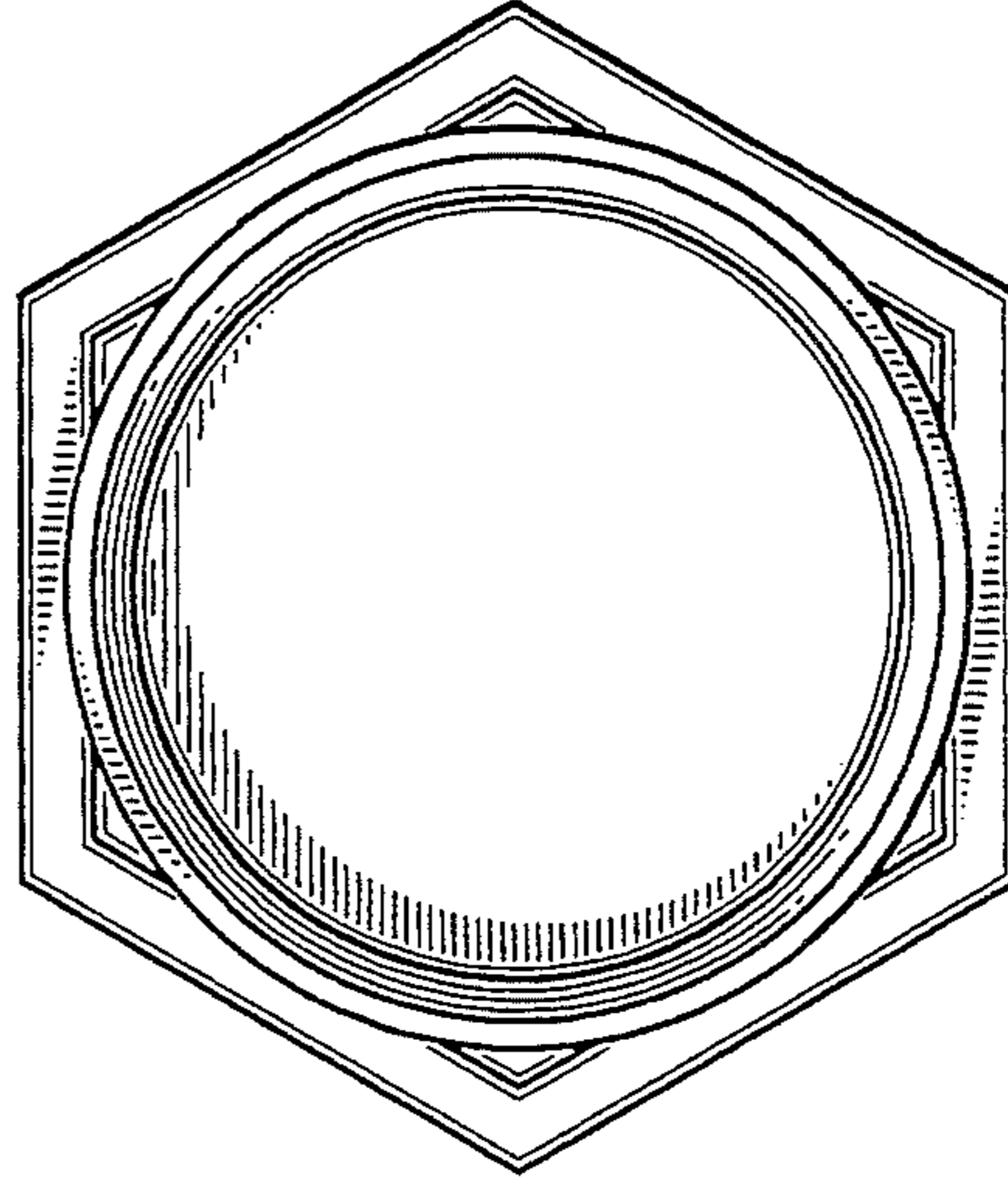


FIG-5

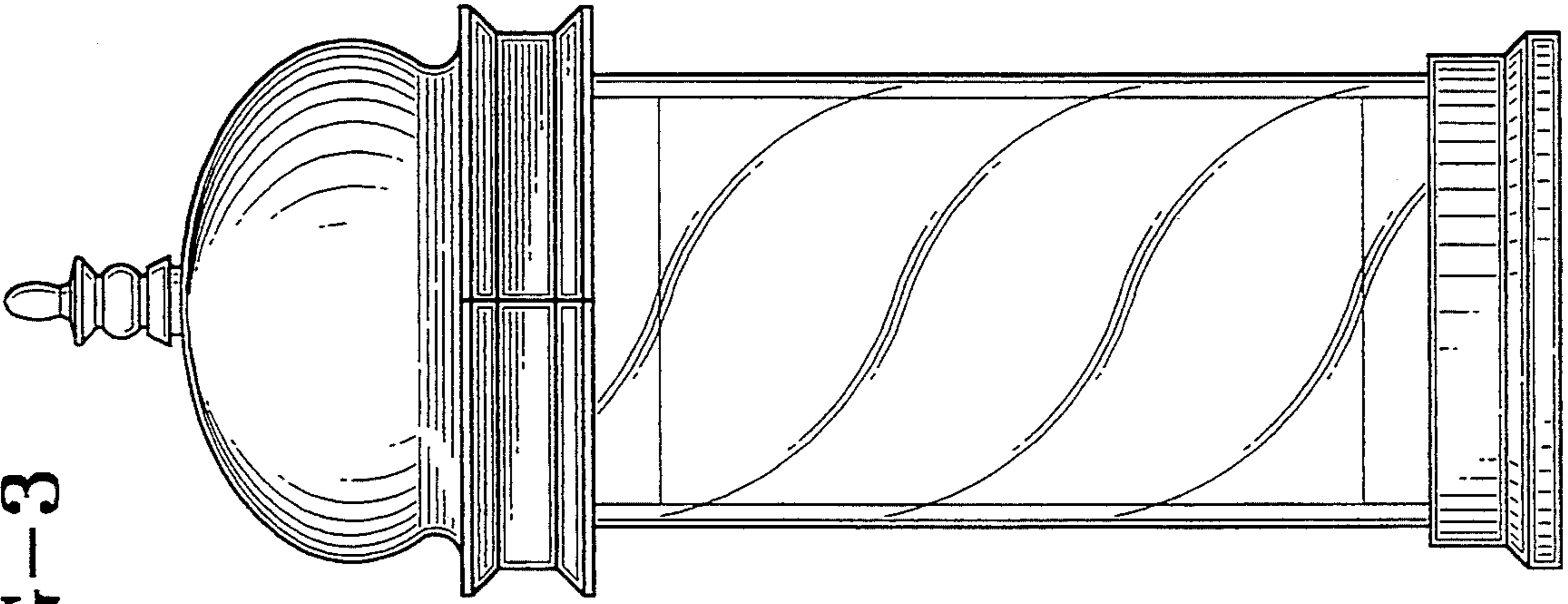


FIG-3

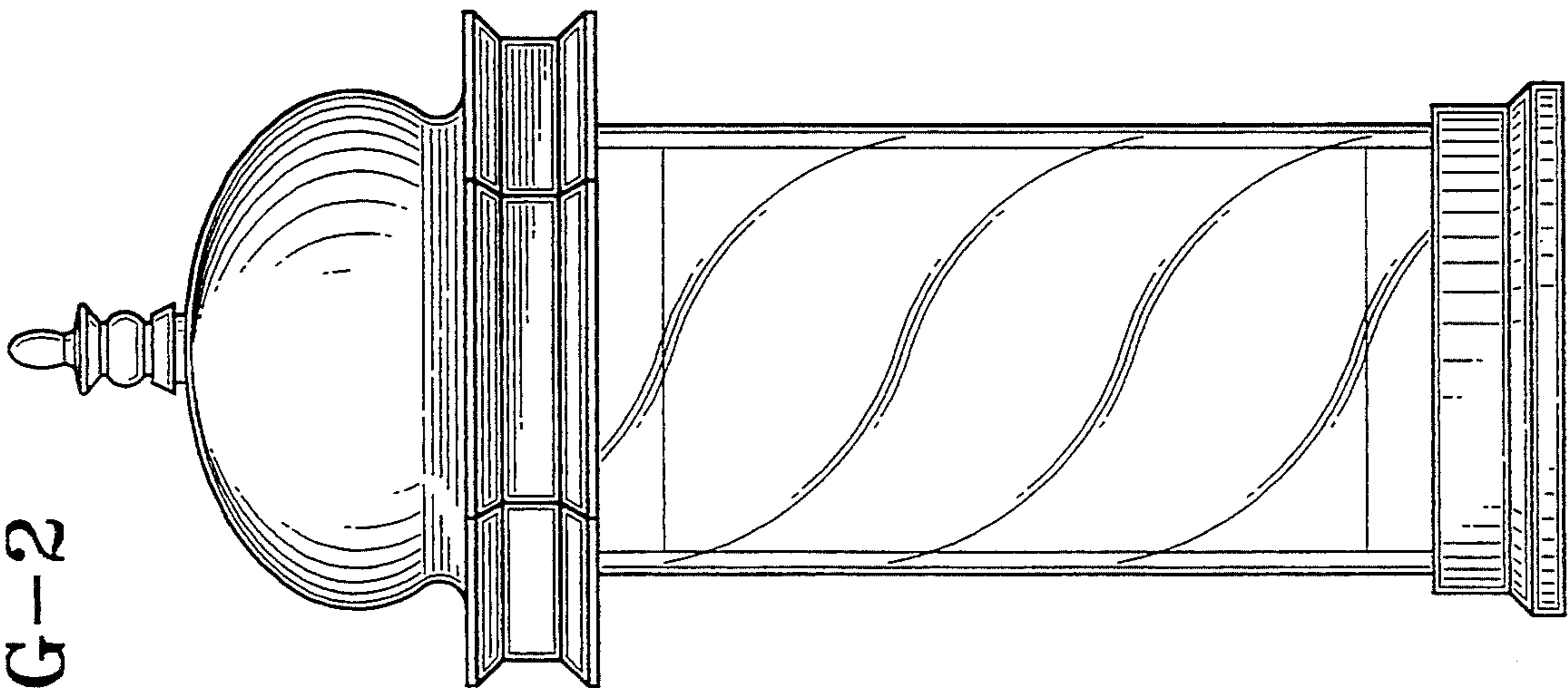


FIG-2