



US00D362022S

United States Patent [19]

[11] Patent Number: **Des. 362,022**

Larson

[45] Date of Patent: **** Sep. 5, 1995**

[54] DOCUMENT HOLDER

[76] Inventor: **Vada J. Larson**, 8675 Scandia Rd.,
Waconia, Minn. 55387

[**] Term: **14 Years**

[21] Appl. No.: **25,308**

[22] Filed: **Jun. 29, 1994**

[52] U.S. Cl. **D19/89; D19/86;**
D19/75; D6/472; D99/29

[58] Field of Search **D6/574, 472; D99/29,**
D99/31; D19/65, 75, 76, 78, 81-85, 86, 89, 92,
95, 99, 100; 211/88, 150, 86; 40/341, 343, 371,
493, 591, 617

[56] **References Cited**

U.S. PATENT DOCUMENTS

- D. 99,560 5/1936 Greuter D6/472
- D. 179,424 12/1956 Oleiniczak D6/472
- D. 181,405 11/1957 Buffington D99/29
- D. 227,477 6/1973 Stahel, II D19/76 X
- D. 231,495 4/1974 Saltz D19/75
- D. 232,387 8/1974 Coy, III et al. D19/86 X
- D. 251,792 5/1979 Moody et al. .

- D. 277,394 1/1985 Assels .
- 2,496,962 2/1950 Shaw D99/29 X
- 2,828,562 4/1958 Warren .
- 3,358,396 12/1967 Prince .
- 3,382,594 5/1968 Volger .
- 3,548,524 12/1970 Rohnow .
- 4,182,059 1/1980 Greene .
- 4,558,527 12/1985 Schroedel et al. .
- 4,962,860 10/1990 Lehmann D6/574 X

OTHER PUBLICATIONS

Studio Specialists Ltd., see Acrylic Cylinder, lower left, circled.

Primary Examiner—Martie Thompson
Attorney, Agent, or Firm—Patterson & Keough

[57] **CLAIM**

The ornamental design for a document holder, as shown.

DESCRIPTION

FIG. 1 is a top, right, front perspective view of a document holder showing my design;
FIG. 2 is a bottom, left, rear perspective view; and,
FIG. 3 is a right, side elevational view, the left side elevational view being a mirror image thereof.

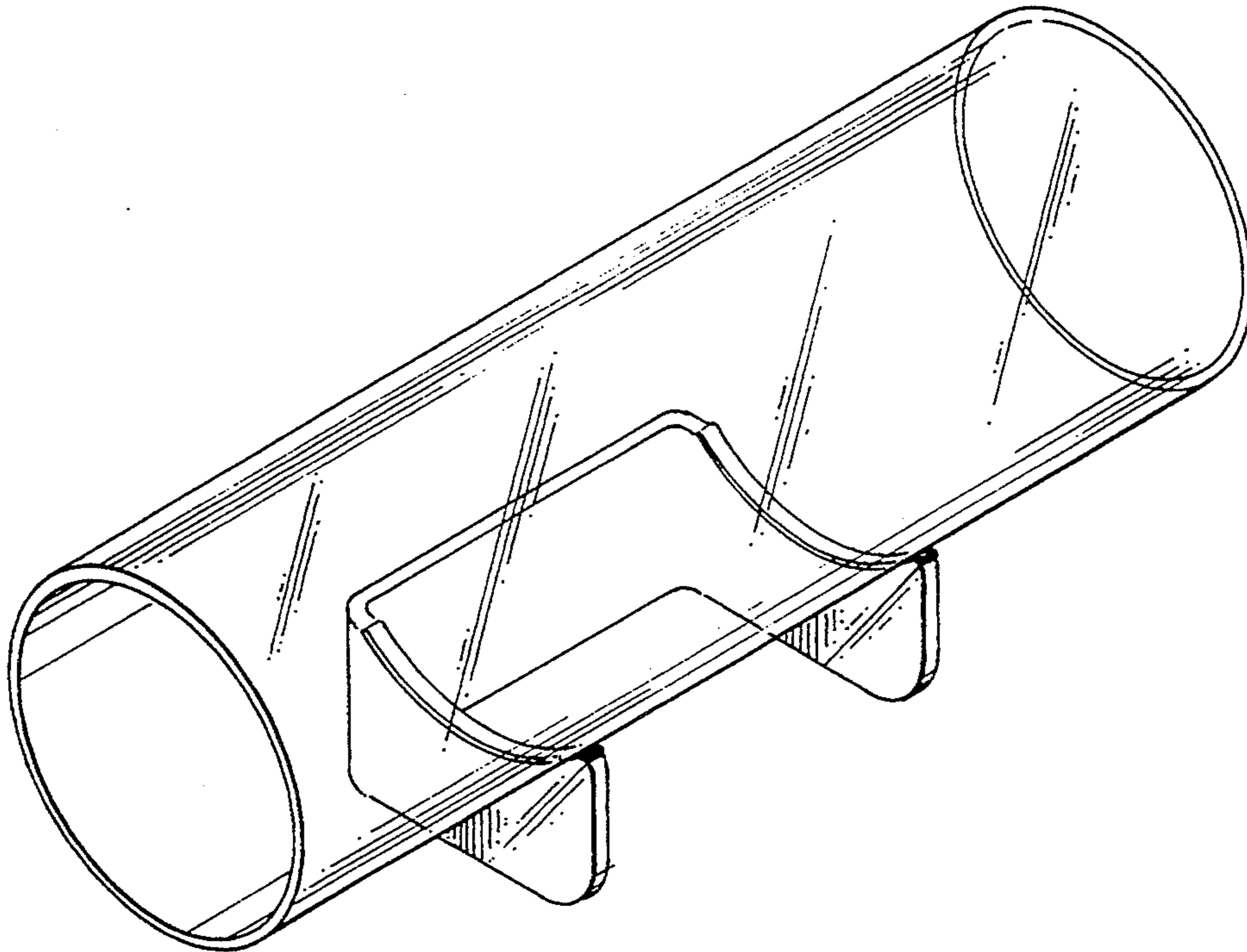


Fig. 1

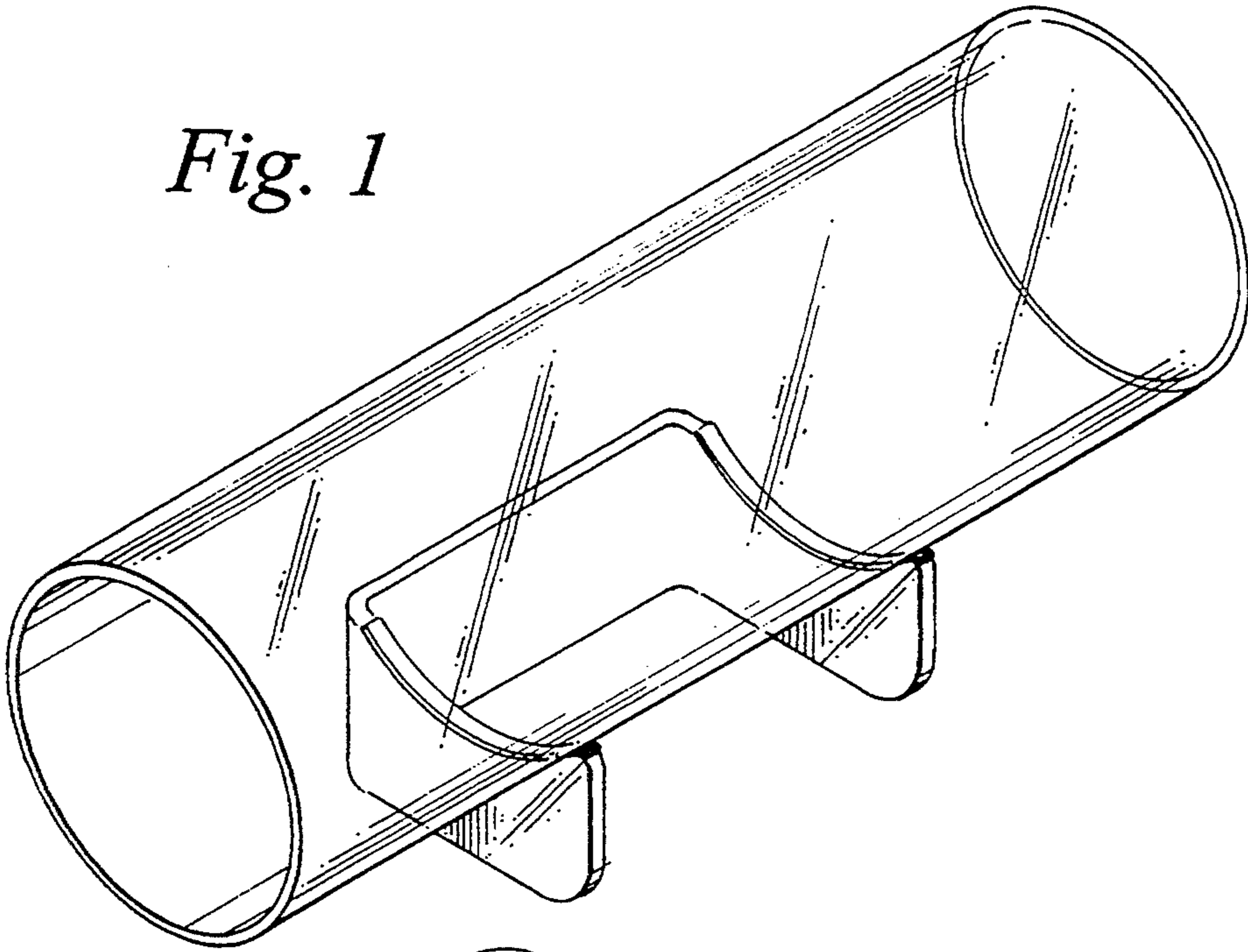


Fig. 2

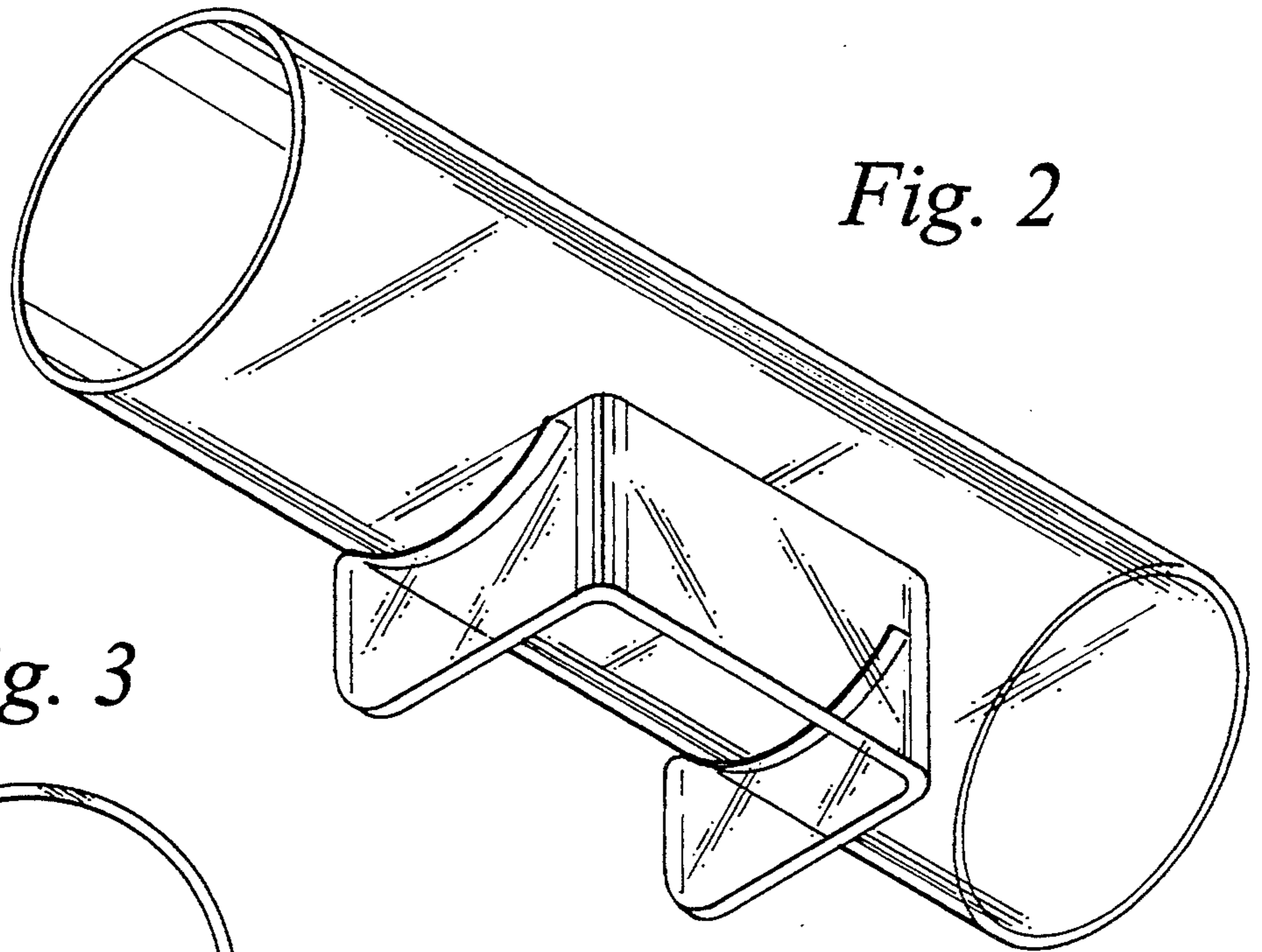


Fig. 3

