



US00D362021S

United States Patent [19]

[11] Patent Number: **Des. 362,021**

Palmer

[45] Date of Patent: **** Sep. 5, 1995**

[54] **COMBINATION ERASABLE DUTY BOARD WITH RANDOM SPINNER AND DICE WITH SHAKER CUP**

[76] Inventor: **Karen P. Palmer**, 28 Shawnee Dr., Danielson, Conn. 06239

[**] Term: **14 Years**

[21] Appl. No.: **16,317**

[22] Filed: **Dec. 13, 1993**

[52] U.S. Cl. **D19/52; D19/36; D19/83; D21/22; D21/41**

[58] Field of Search **D19/35, 36, 52, 65, D19/81-85, 90, 99, 100; 40/1, 124.1, 152.1; 211/69.1-69.9; D20/10, 40; D21/21, 22, 41**

[56] **References Cited**

U.S. PATENT DOCUMENTS

D. 89,035	1/1933	Chalk	D21/22
D. 192,013	1/1962	Hecker	D21/22
D. 262,725	1/1982	Rice	D21/41
D. 348,695	7/1994	Simms et al.	D21/41
1,632,640	6/1927	Baez	D21/22 X
2,148,102	2/1939	Brumer	D21/41 X
3,357,703	12/1967	Hurley	D21/41 X
4,211,414	7/1980	Moodt	273/141 A

Primary Examiner—Martie Thompson
Attorney, Agent, or Firm—David L. Baker; Rhodes & Ascolillo

[57] **CLAIM**

The ornamental design for a combination erasable duty board, with random spinner and dice with shaker cup, as shown and described.

DESCRIPTION

FIG. 1 is a perspective view of a combination erasable duty board with random spinner and dice with shaker cup showing my new design therefor. The broken line drawing depicting a marker pen is for purposes of illustration only, and forms no part of my design;

FIG. 2 is a front elevational view;

FIG. 3 is a top plan view;

FIG. 4 is a bottom plan view;

FIG. 5 is a rear elevational view;

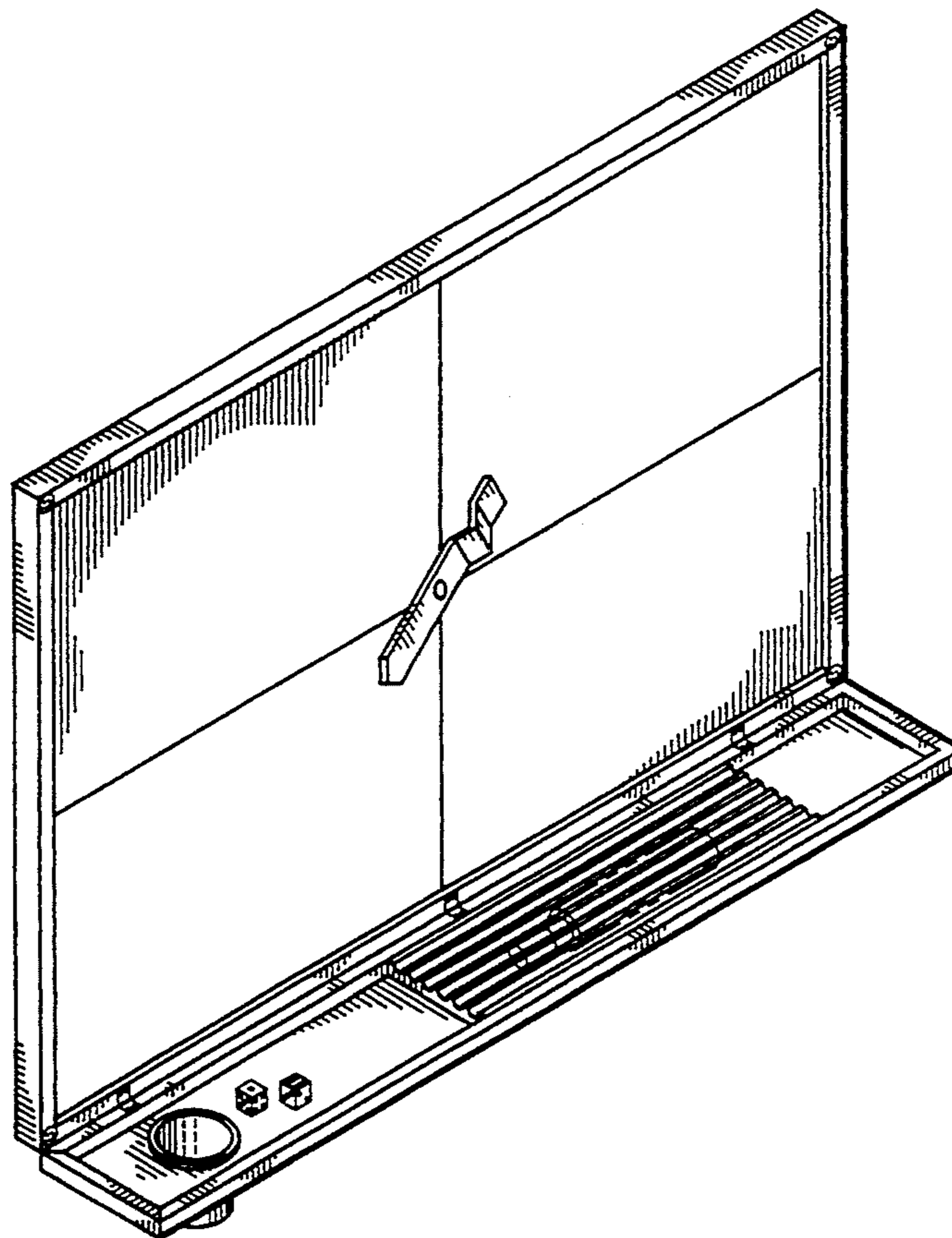
FIG. 6 is a right side elevational view;

FIG. 7 is a left side elevational view with the shaker cup and pair of dice removed and the ledge in its partially folded configuration;

FIG. 8 is an enlarged fragmentary perspective view of the board to show the companion dice with shaker cup;

FIG. 9 is an enlarged fragmentary front elevational view of the board showing the design of the shaker cup; and,

FIG. 10 is an enlarged fragmentary perspective view of FIG. 8 to show the design of the die. One die shows the unshown surfaces of the other die and all designs within the dots are similar. Both dies are duplicates of each other.



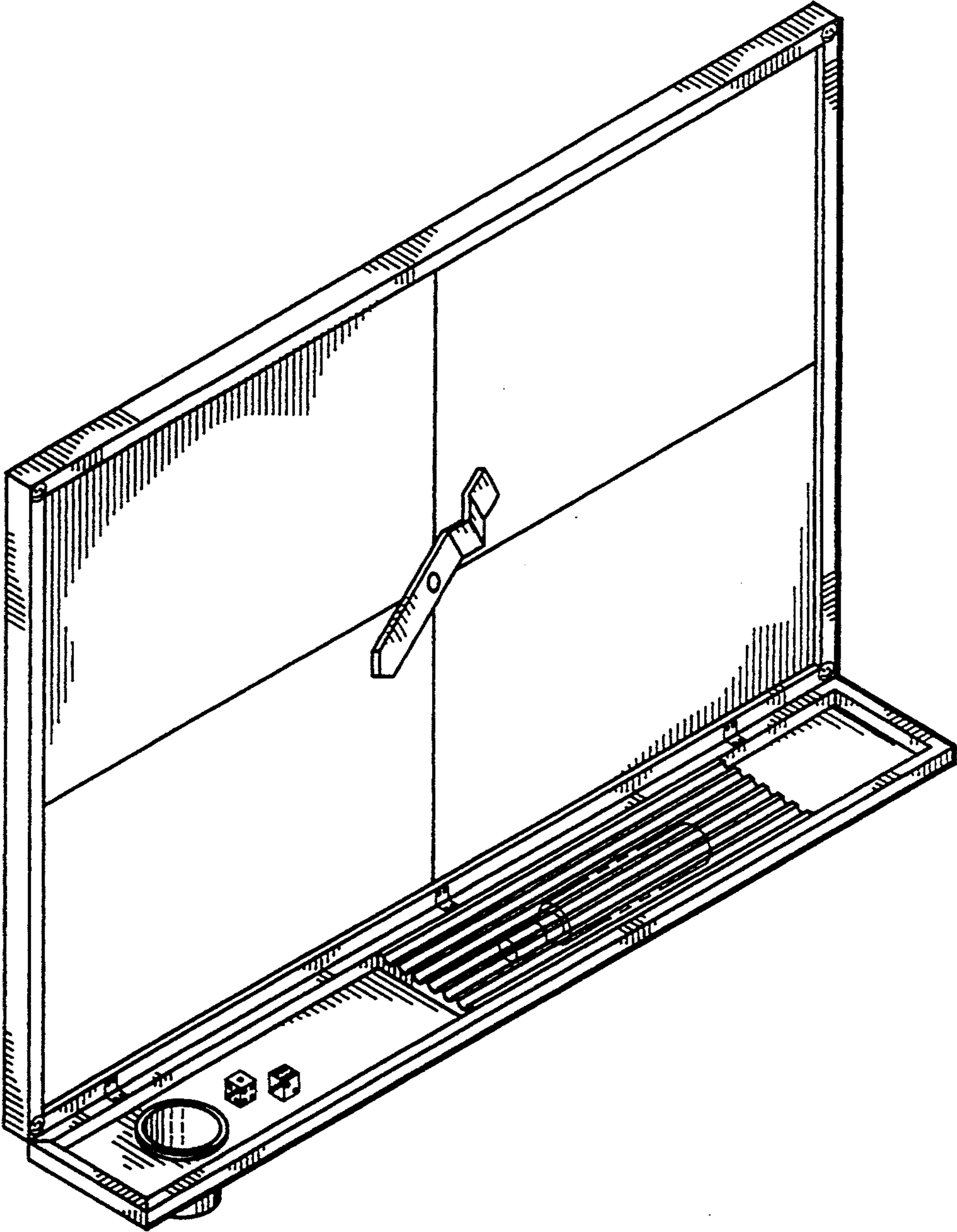


FIGURE 1

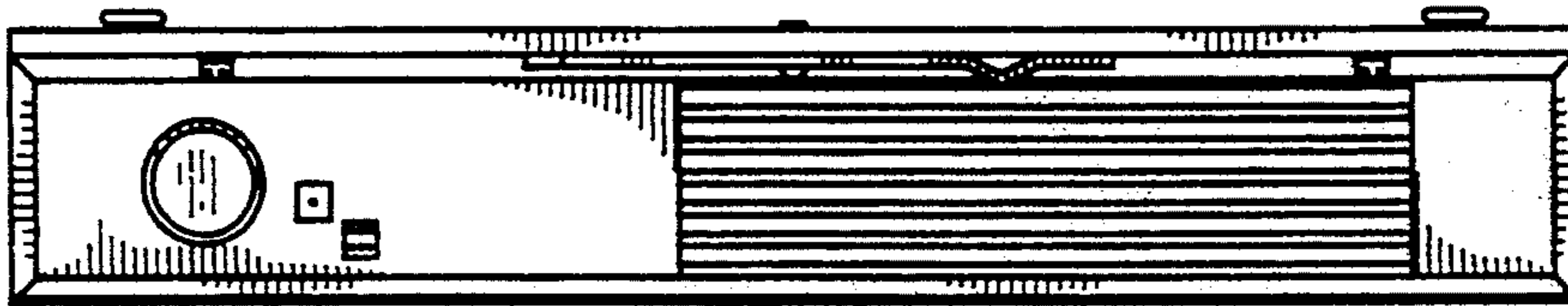


FIGURE 3

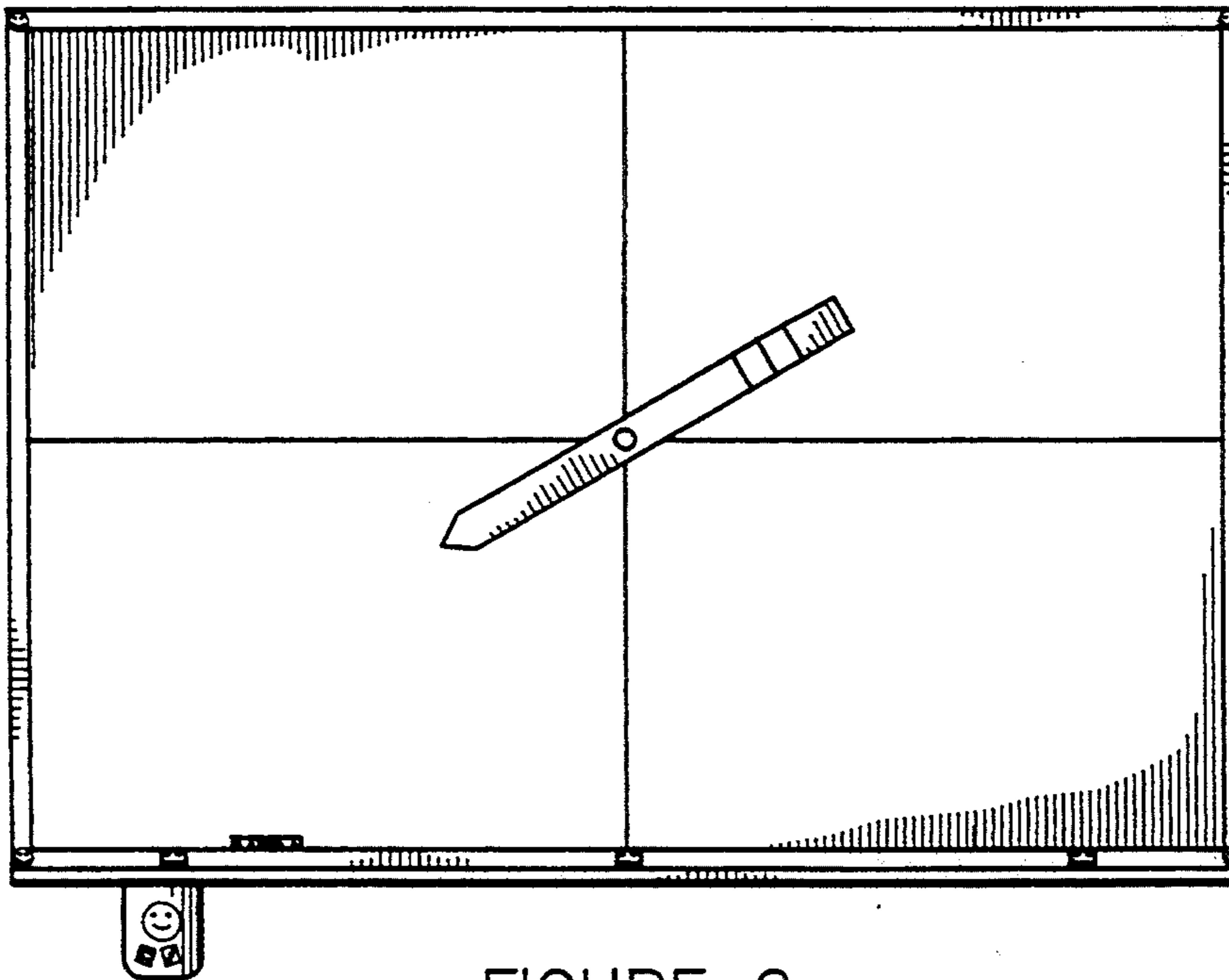


FIGURE 2

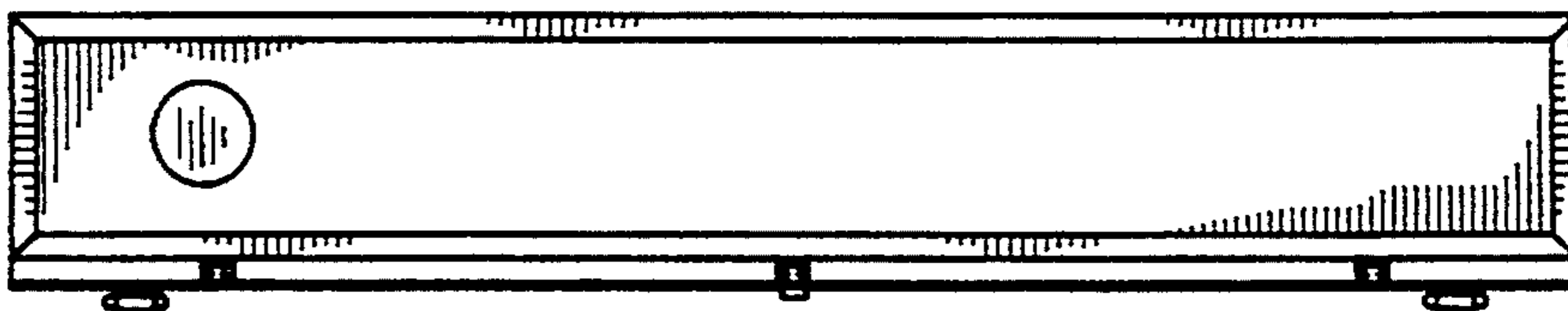


FIGURE 4

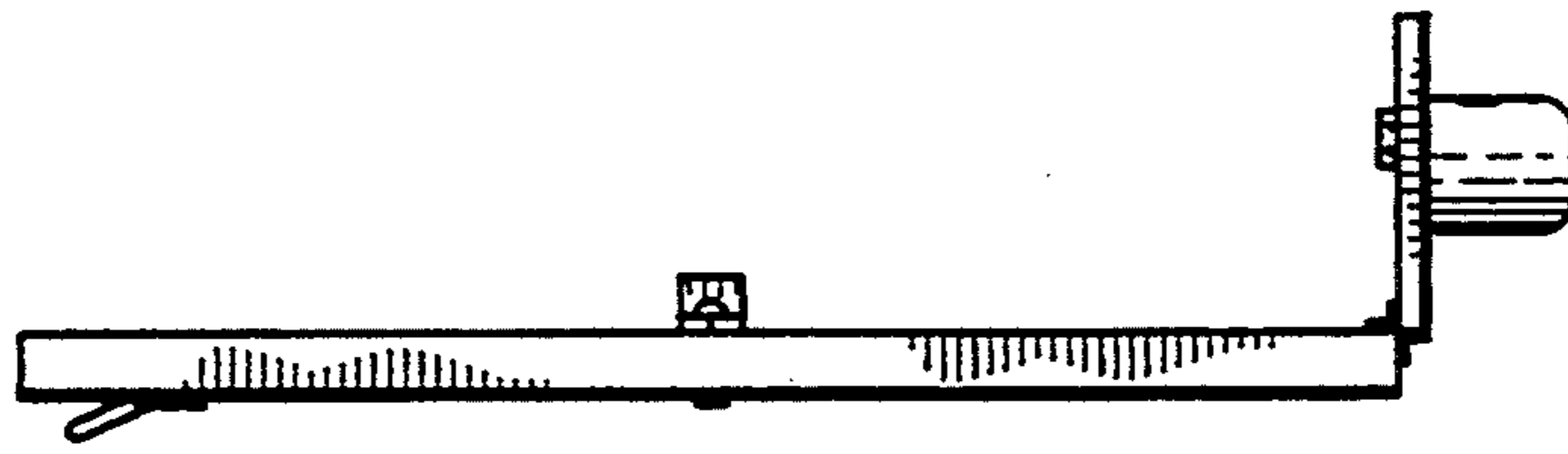


FIGURE 6

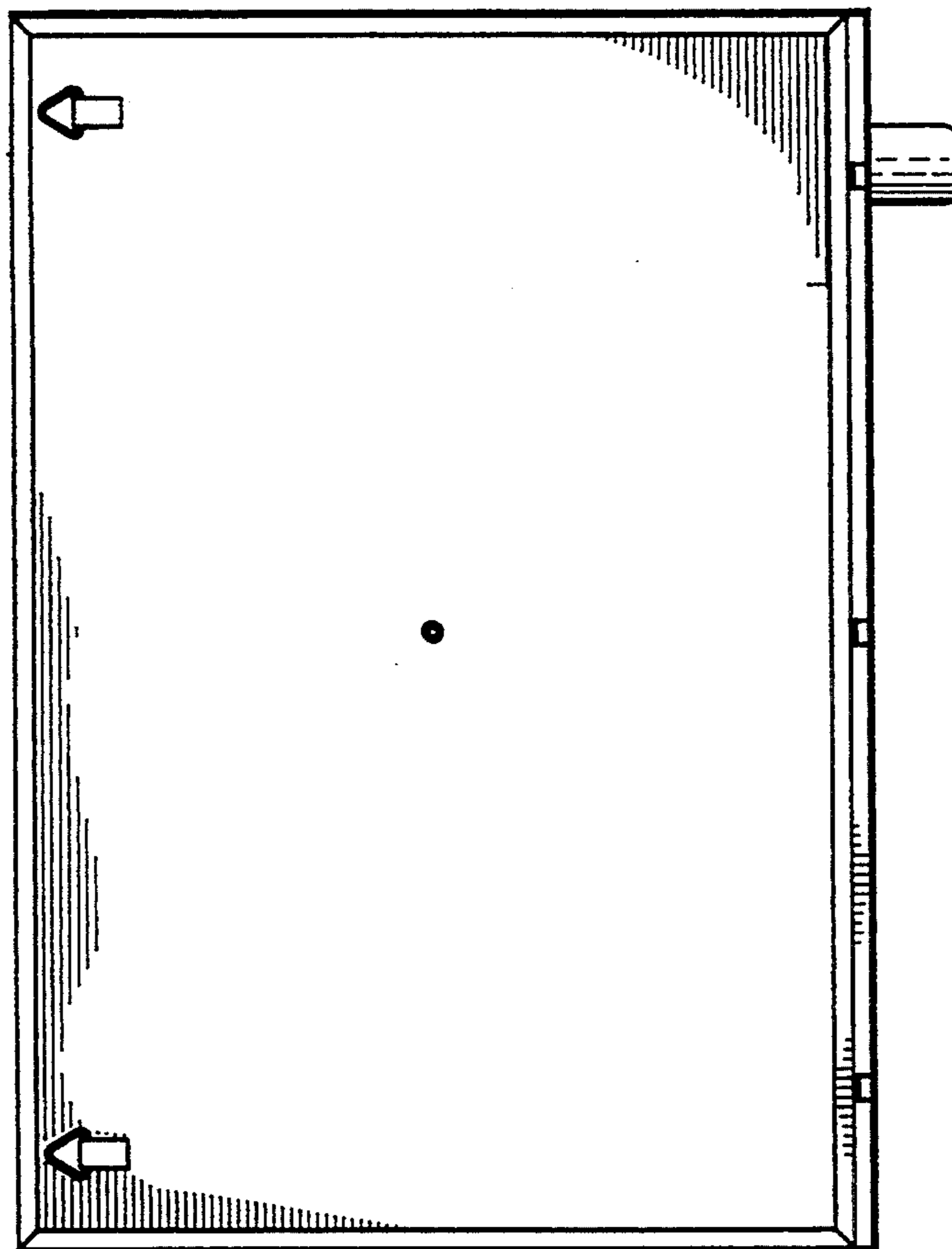


FIGURE 5

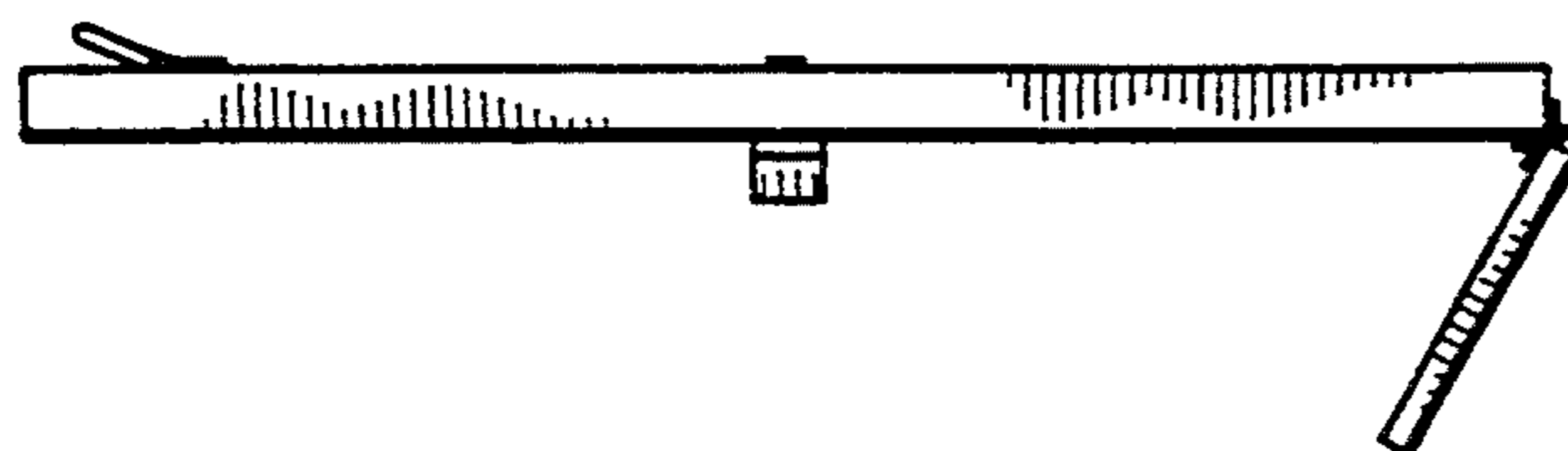


FIGURE 7

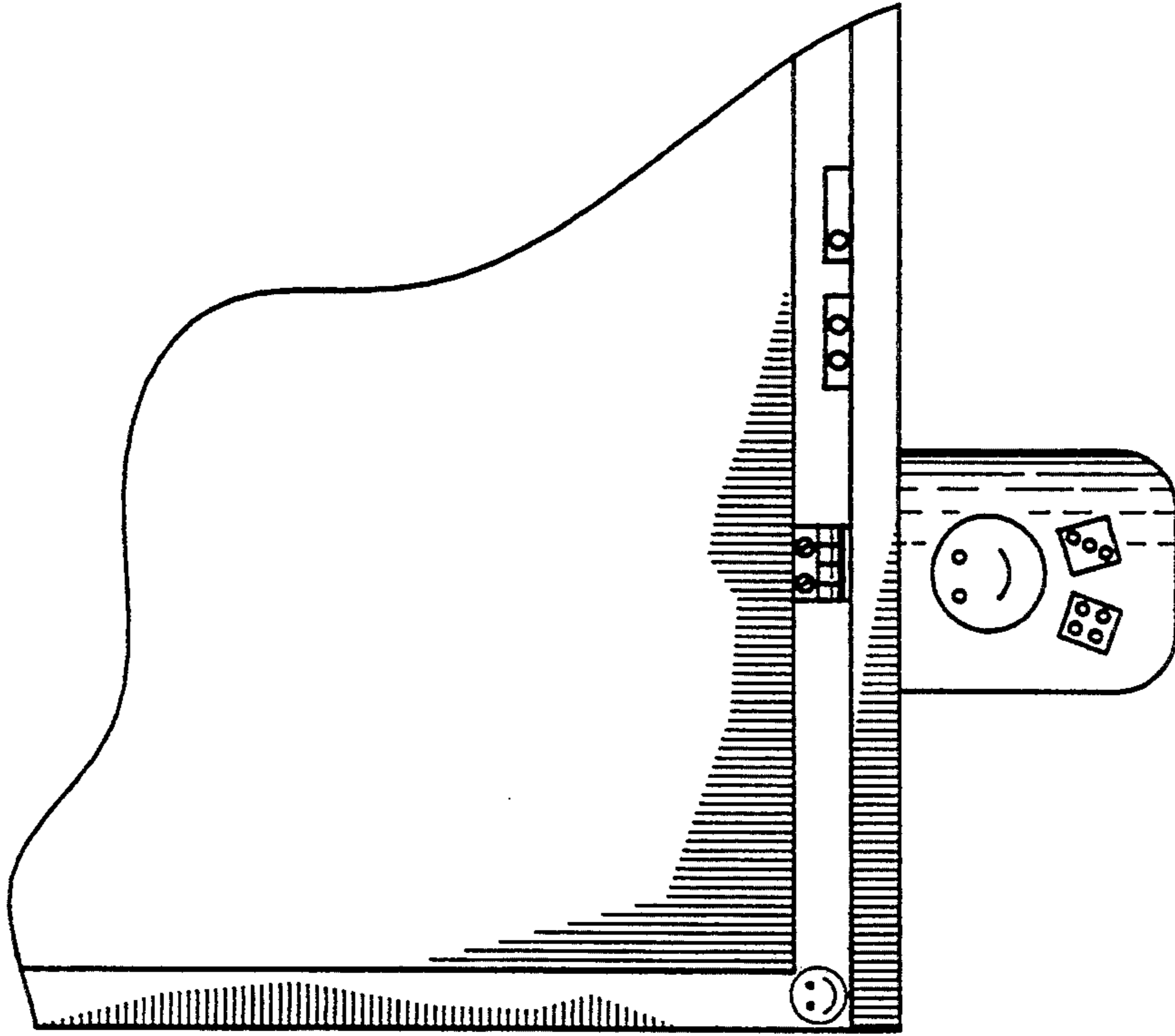


FIGURE 9

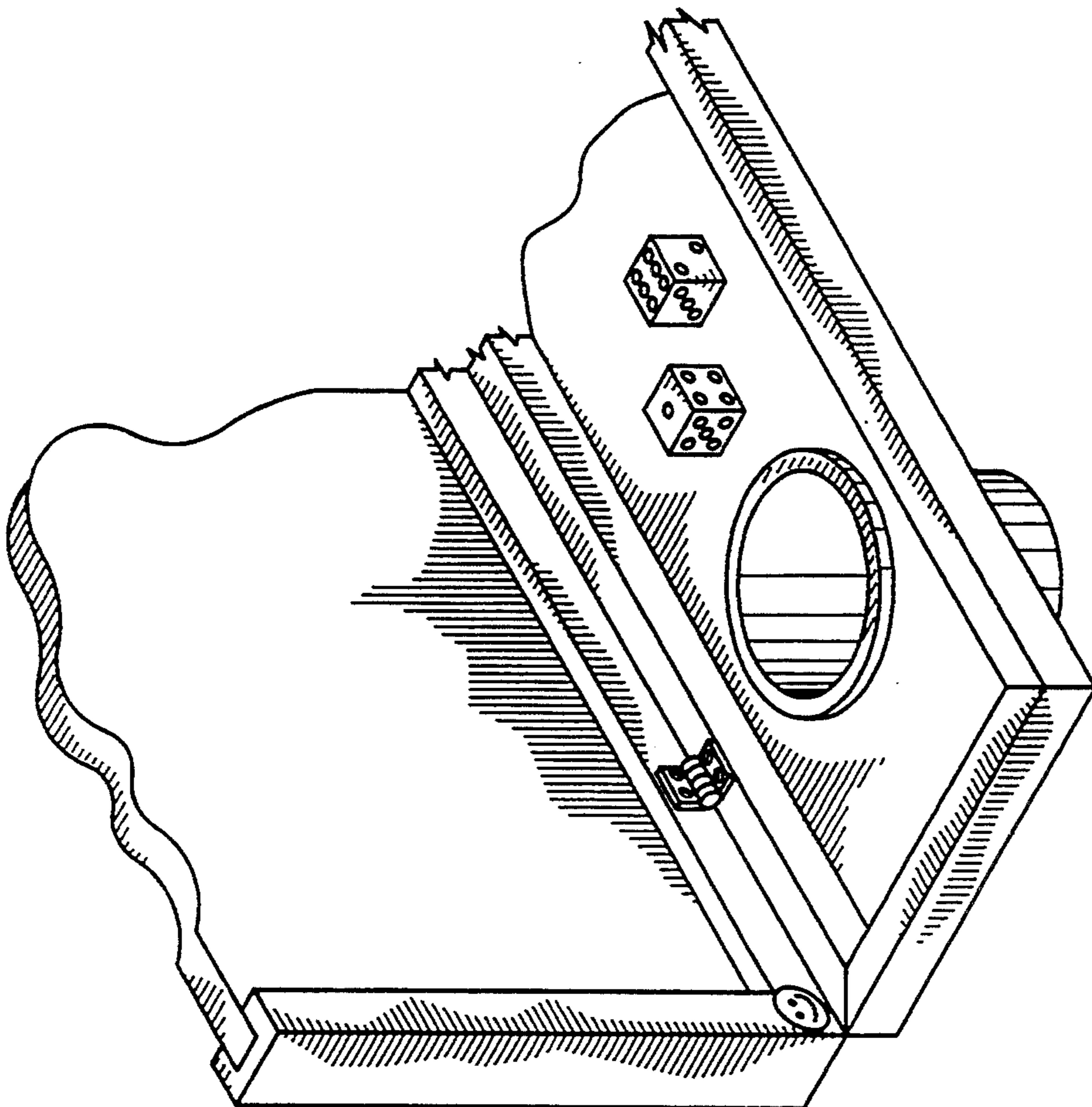


FIGURE 8

