



US00D362017S

United States Patent [19]
McConnell

[11] **Patent Number: Des. 362,017**
[45] **Date of Patent: ** Sep. 5, 1995**

[54] **SET OF BOOKENDS**

[75] **Inventor: Michael McConnell, Durham, N.H.**

[73] **Assignee: Talus Corporation, Portland, Me.**

[**] **Term: 14 Years**

[21] **Appl. No.: 3,169**

[22] **Filed: Jul. 12, 1993**

[52] **U.S. Cl. D19/34.3; D11/157**

[58] **Field of Search D19/34.1-34.5;
D16/128; D8/354, 323-329; 211/42, 43, 183;
287/45; D11/157, 133**

[56] **References Cited**

U.S. PATENT DOCUMENTS

- D. 61,430 8/1922 Wunsch D19/34.3
- D. 198,918 8/1964 Biallas D19/34.3
- D. 257,806 1/1981 Maune D19/34.3
- 4,027,874 6/1977 Buckholtz, Jr. D11/157 X

OTHER PUBLICATIONS

Decker Nut Manufacturing Corp. Oct. 16, 1967.
Eslak, Feb. 1970, p. 4.

Primary Examiner—Susan J. Lucas
Assistant Examiner—Pamela Burgess
Attorney, Agent, or Firm—Cesari and McKenna

[57] **CLAIM**

The ornamental design for a set of bookends, as shown.

DESCRIPTION

FIG. 1 is an isometric view of a set of bookends showing my new design, the broken lines shown are for illustrative purposes only and form no part of the claimed design;

FIG. 2 is a front elevational view thereof, the rear elevational view being a mirror image of same;

FIG. 3 is a right side elevational view thereof;

FIG. 4 is a left side elevational view thereof;

FIG. 5 is a top plan view thereof;

FIG. 6 is a bottom plan view on a smaller scale thereof;

FIG. 7 is a front elevational view of a second embodiment of my new design, the rear elevational view being a mirror image of same;

FIG. 8 is a right side elevational view thereof;

FIG. 9 is a left side elevational view thereof;

FIG. 10 is a top plan view thereof;

FIG. 11 is a bottom plan view thereof;

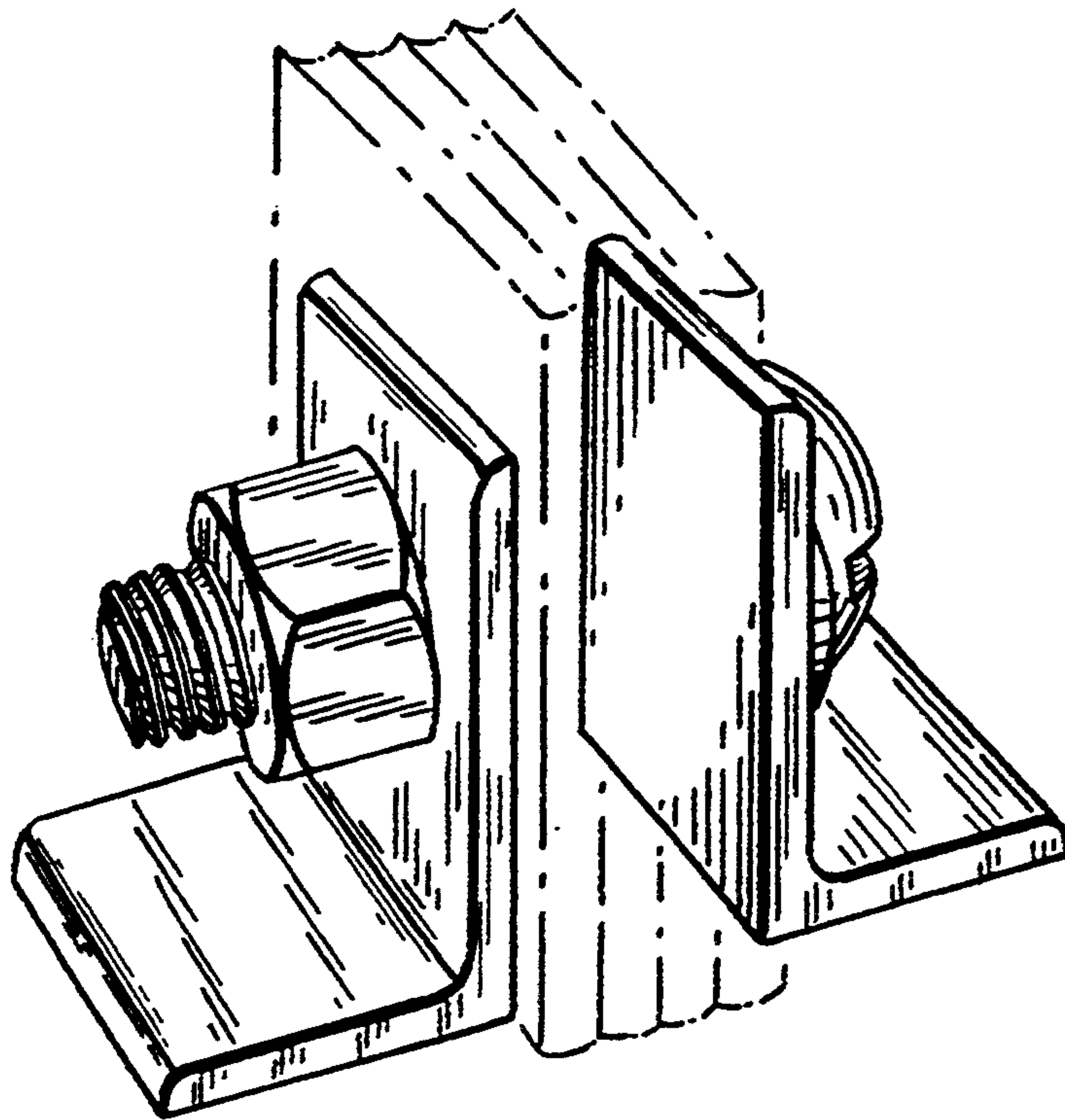
FIG. 12 is a front elevational view of third embodiment of my new design, the rear elevational view being a mirror image of same;

FIG. 13 is a right side elevational view thereof;

FIG. 14 is a left side elevational view thereof;

FIG. 15 is a top plan view thereof; and,

FIG. 16 is a bottom plan view thereof.



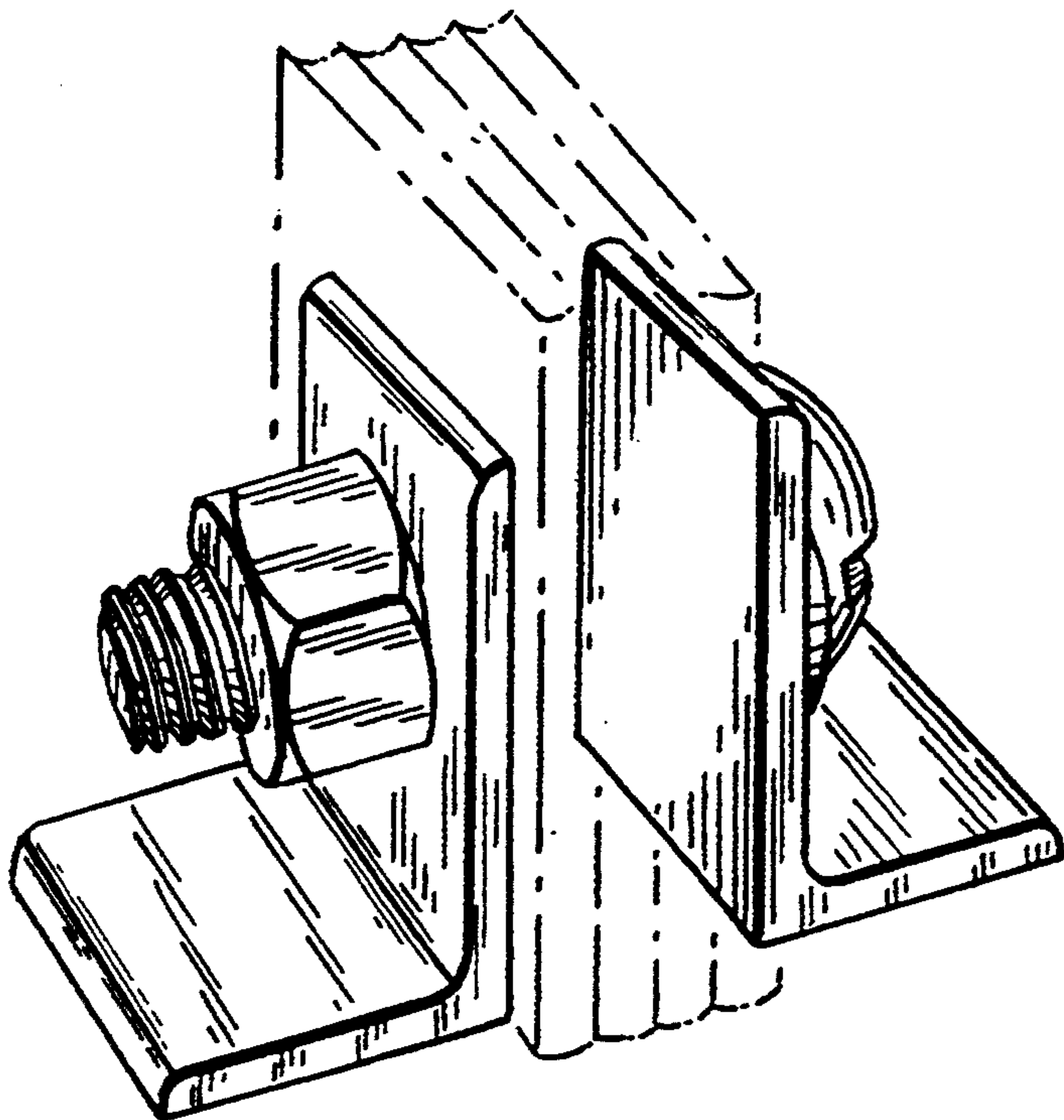


FIG. 1

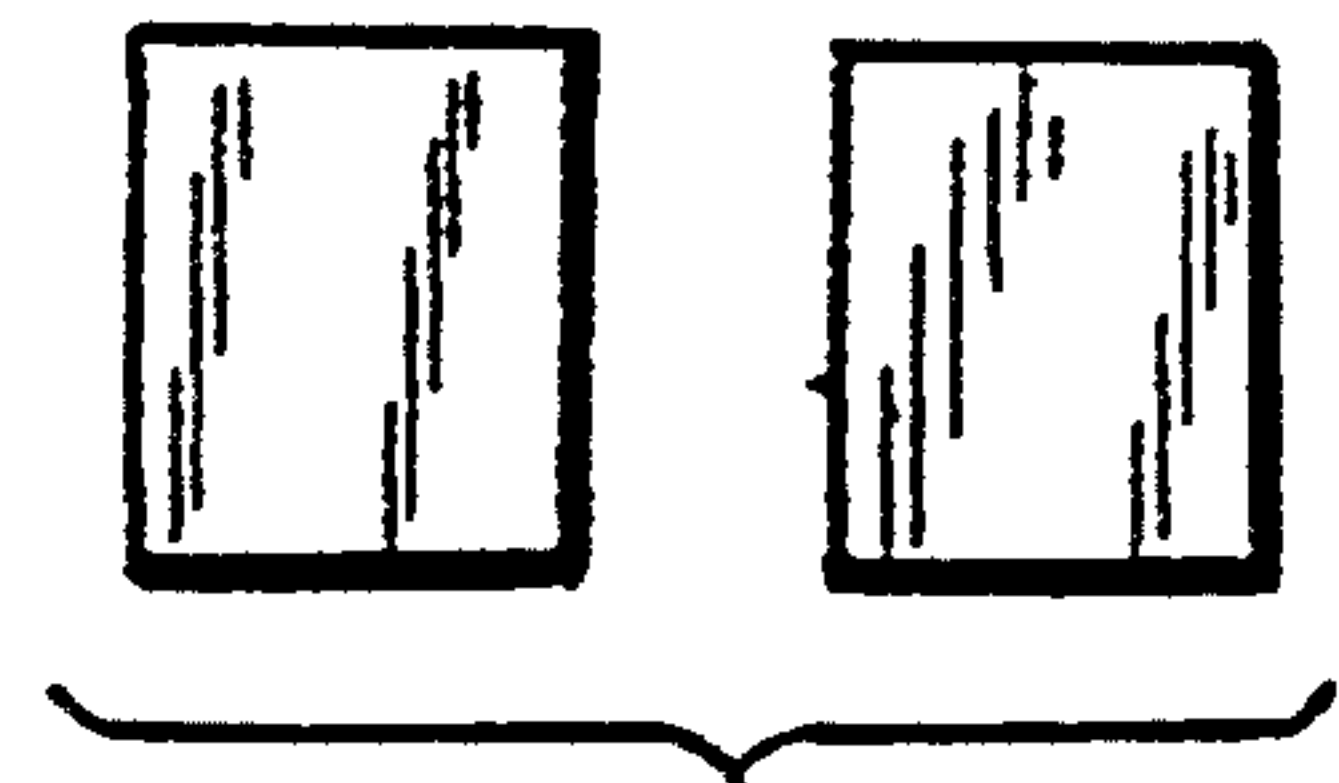


FIG. 6

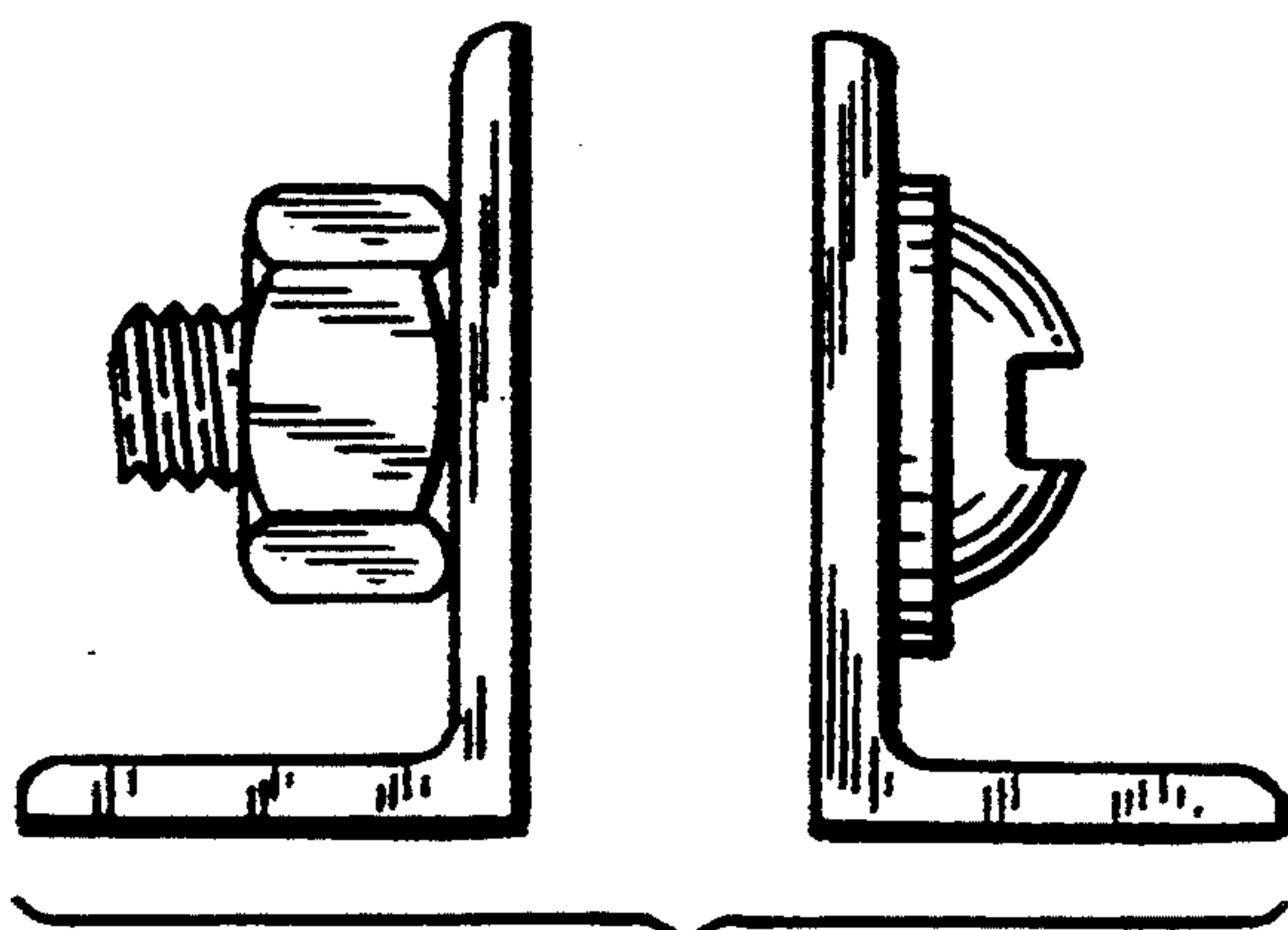


FIG. 2

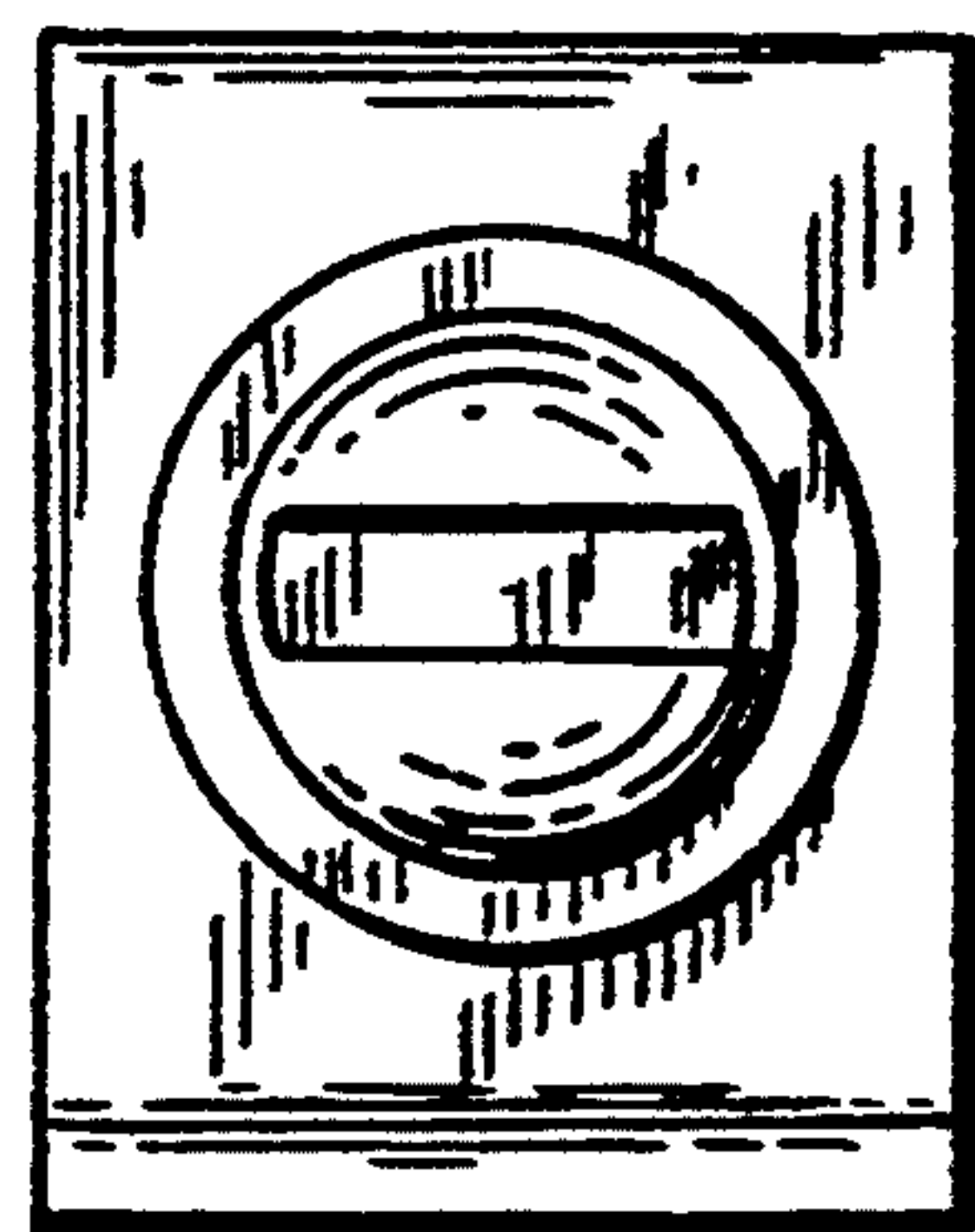


FIG. 3

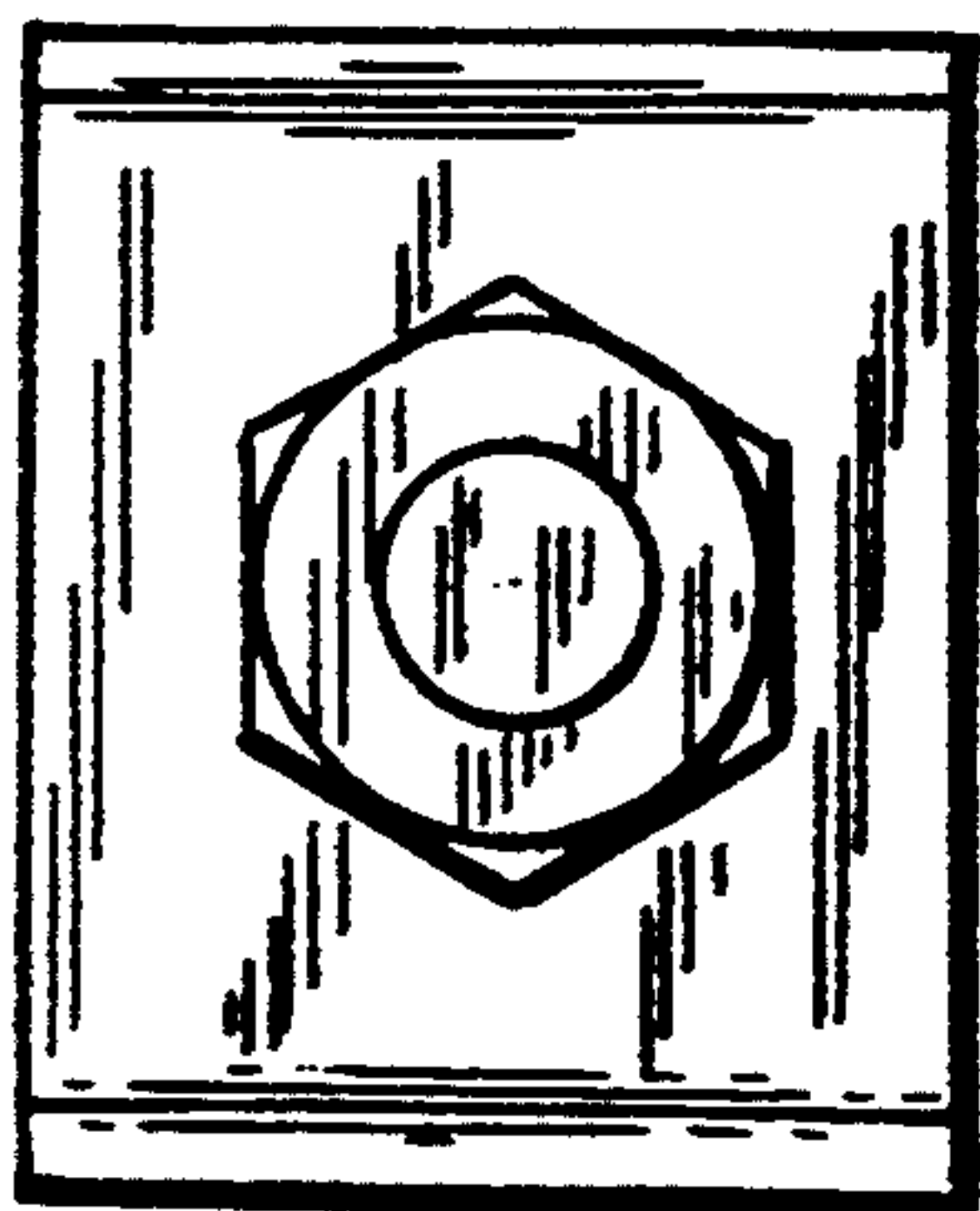


FIG. 4

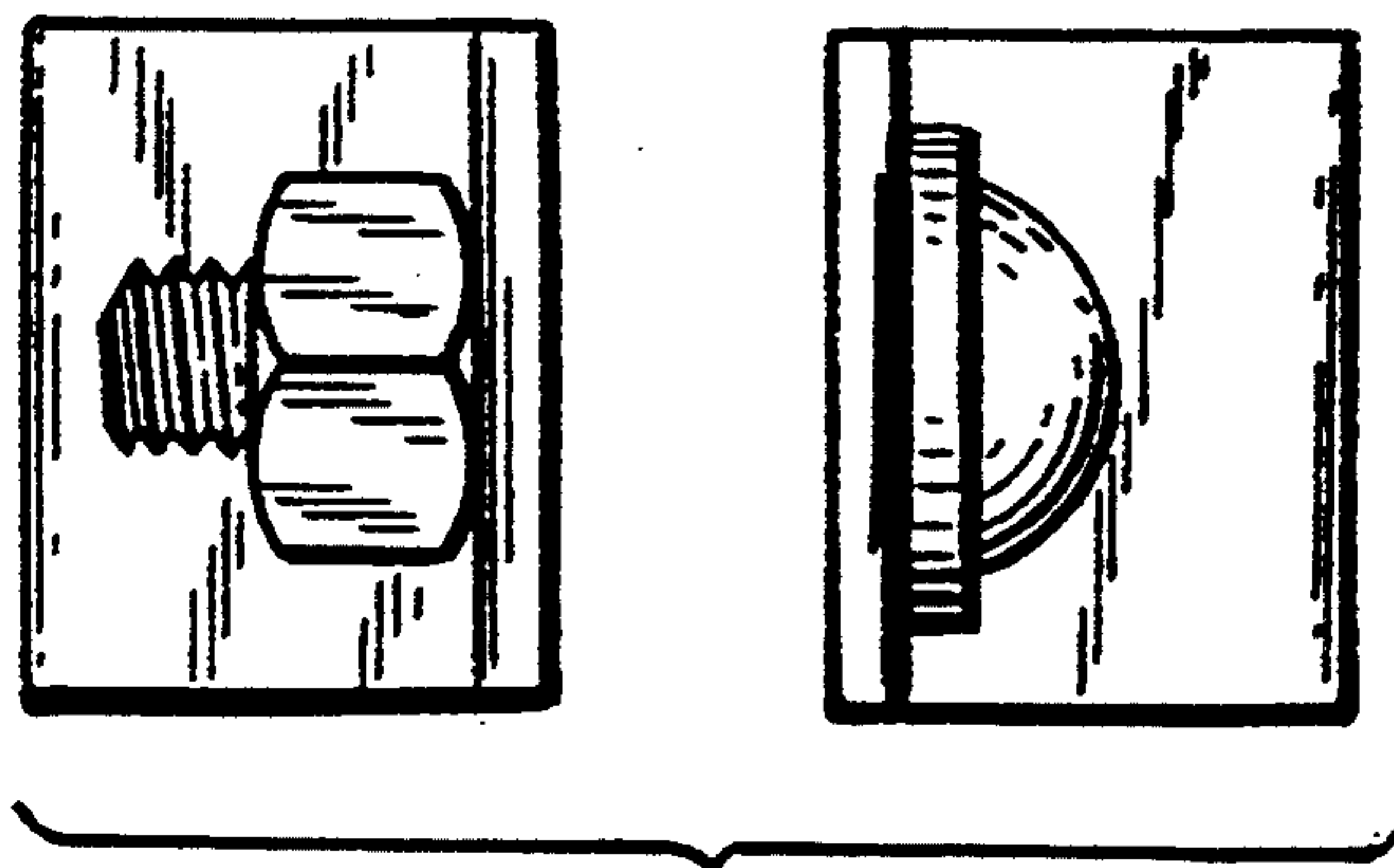


FIG. 5

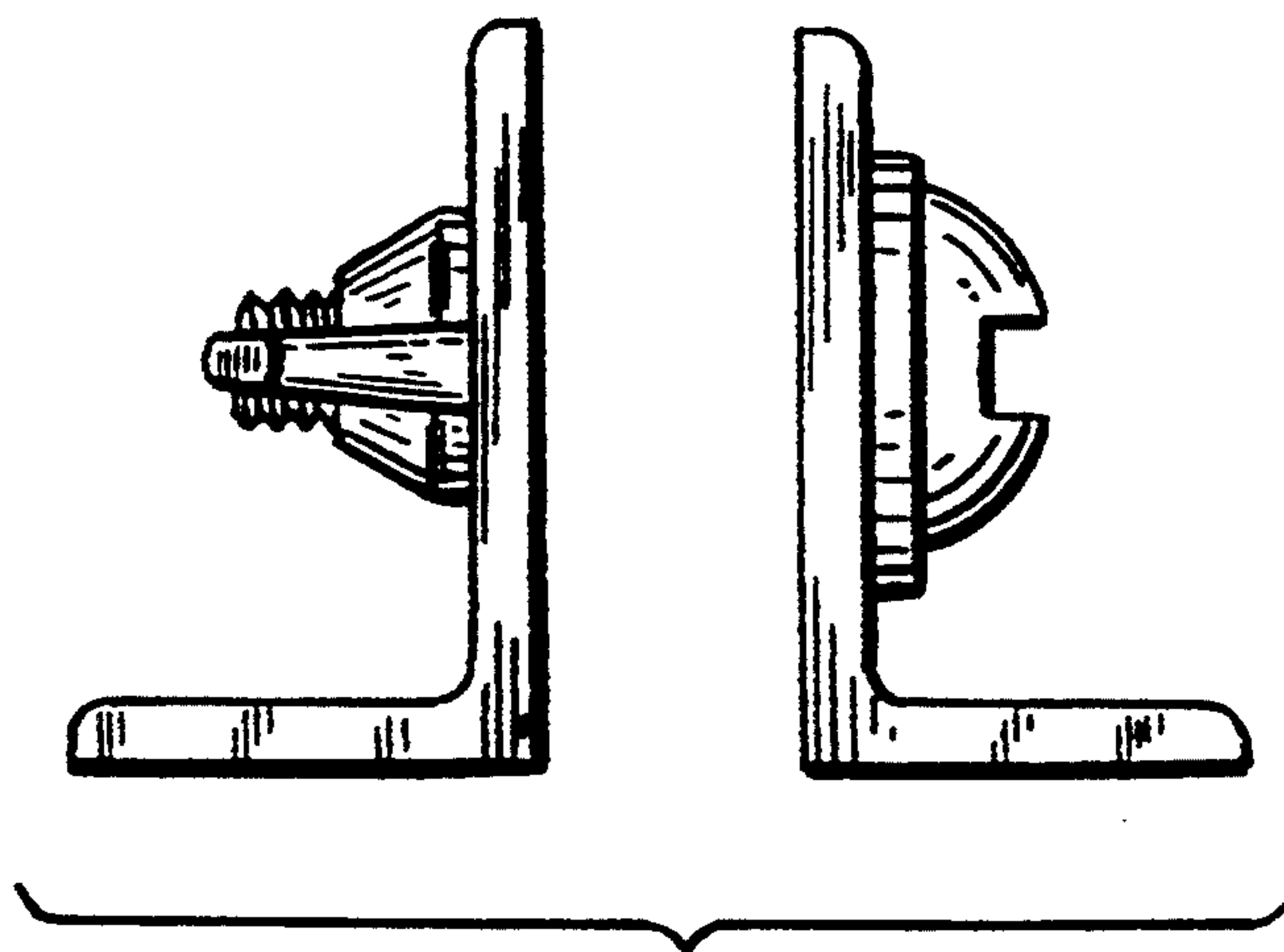


FIG. 7

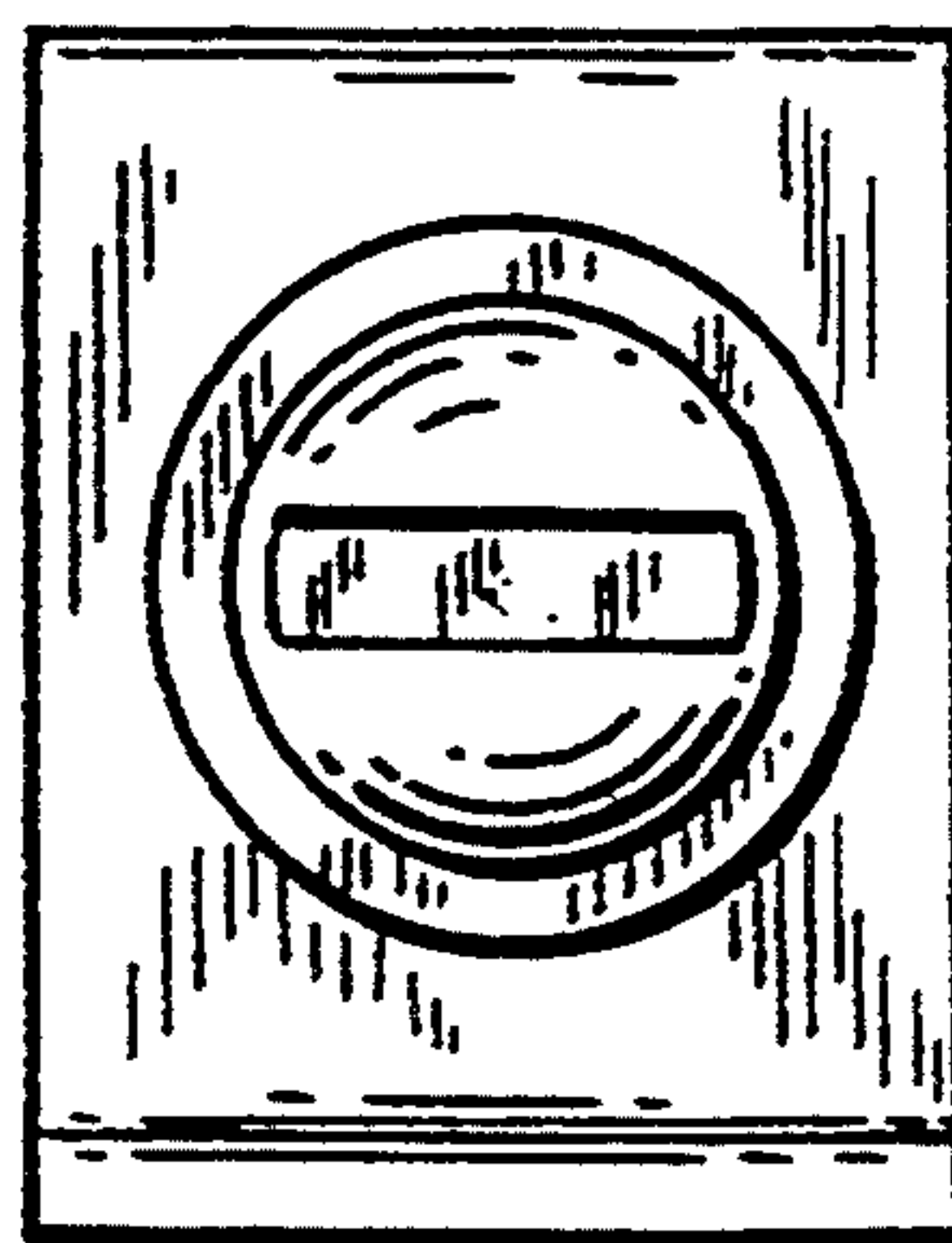


FIG. 8

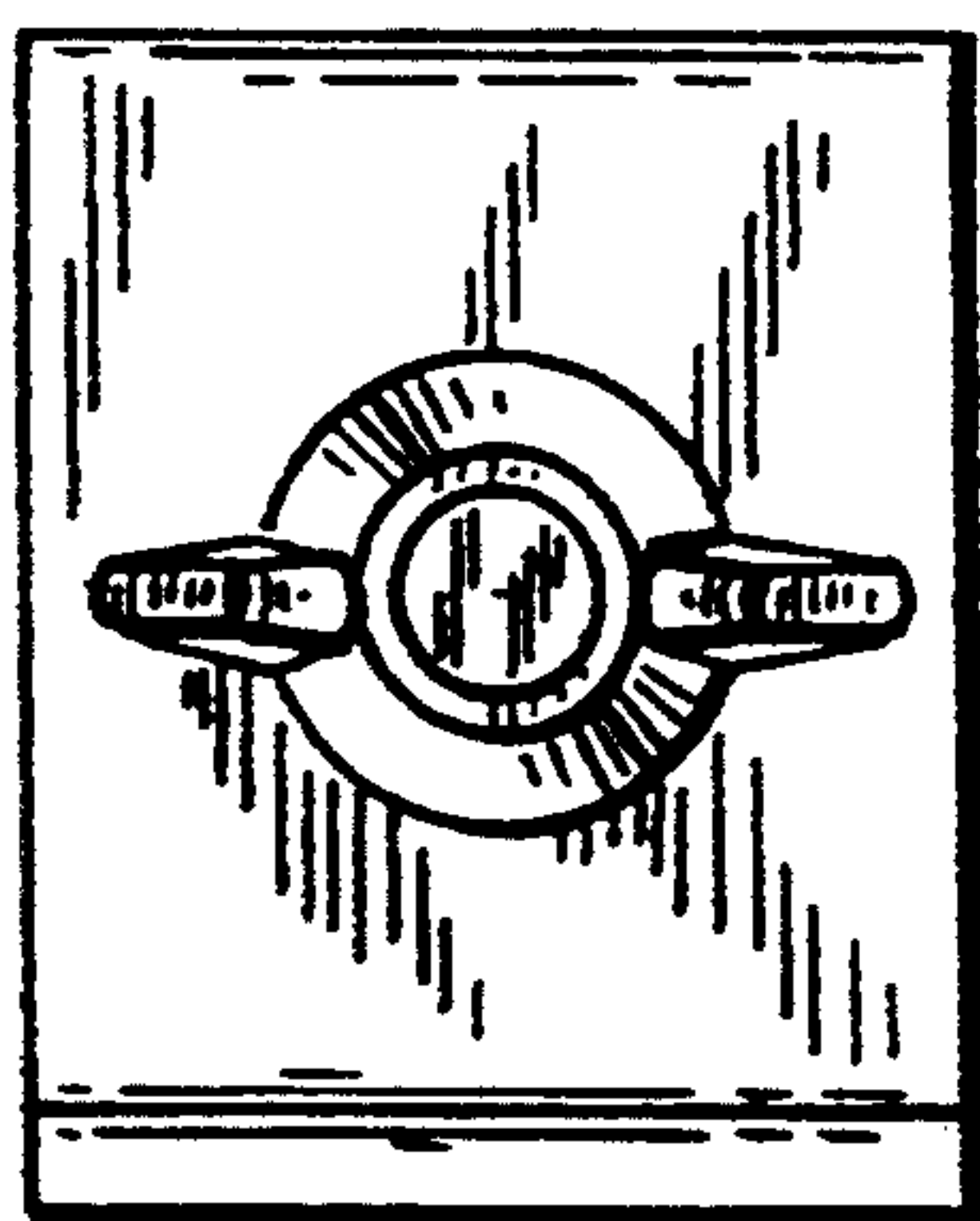


FIG. 9

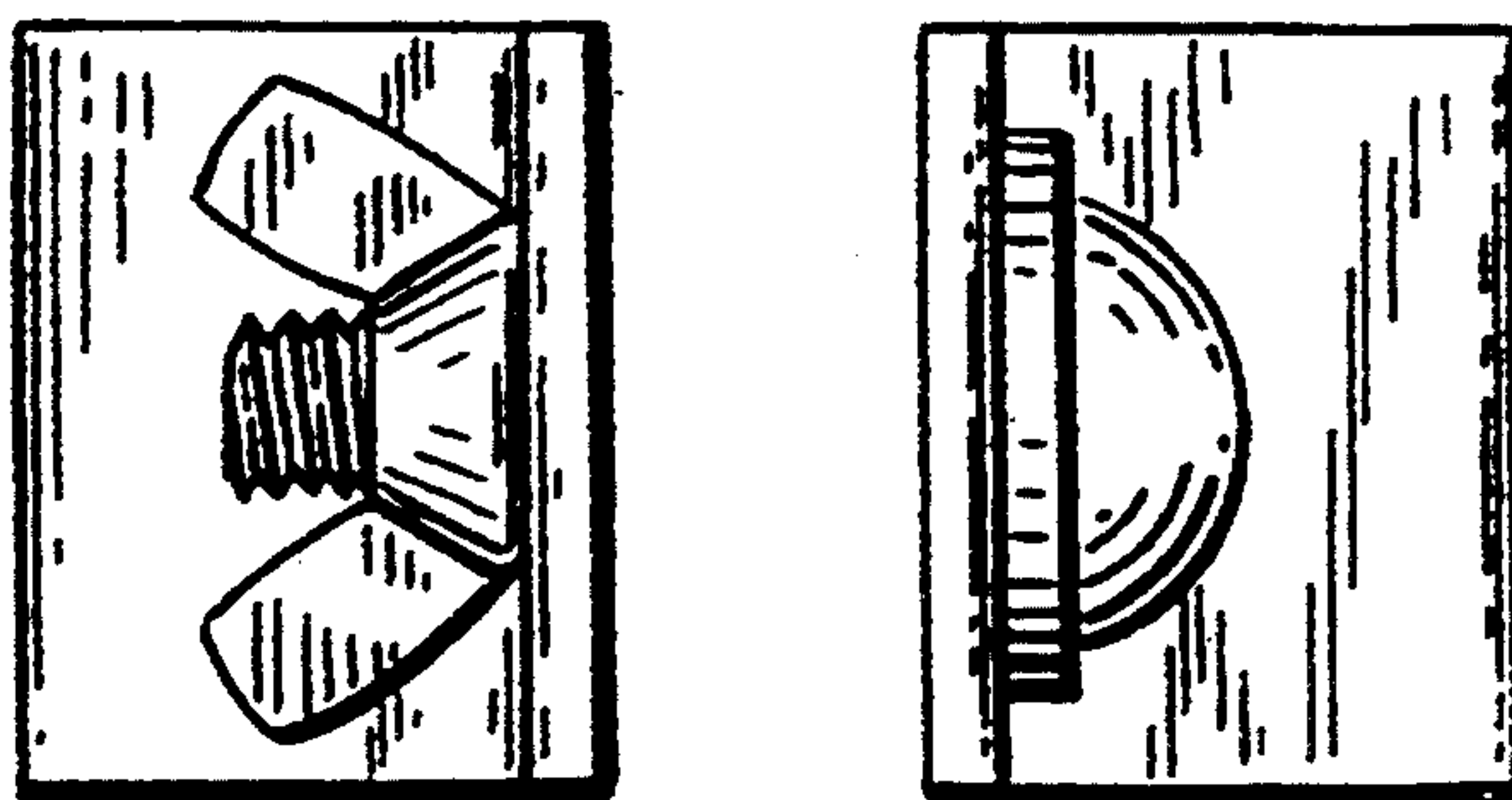


FIG. 10

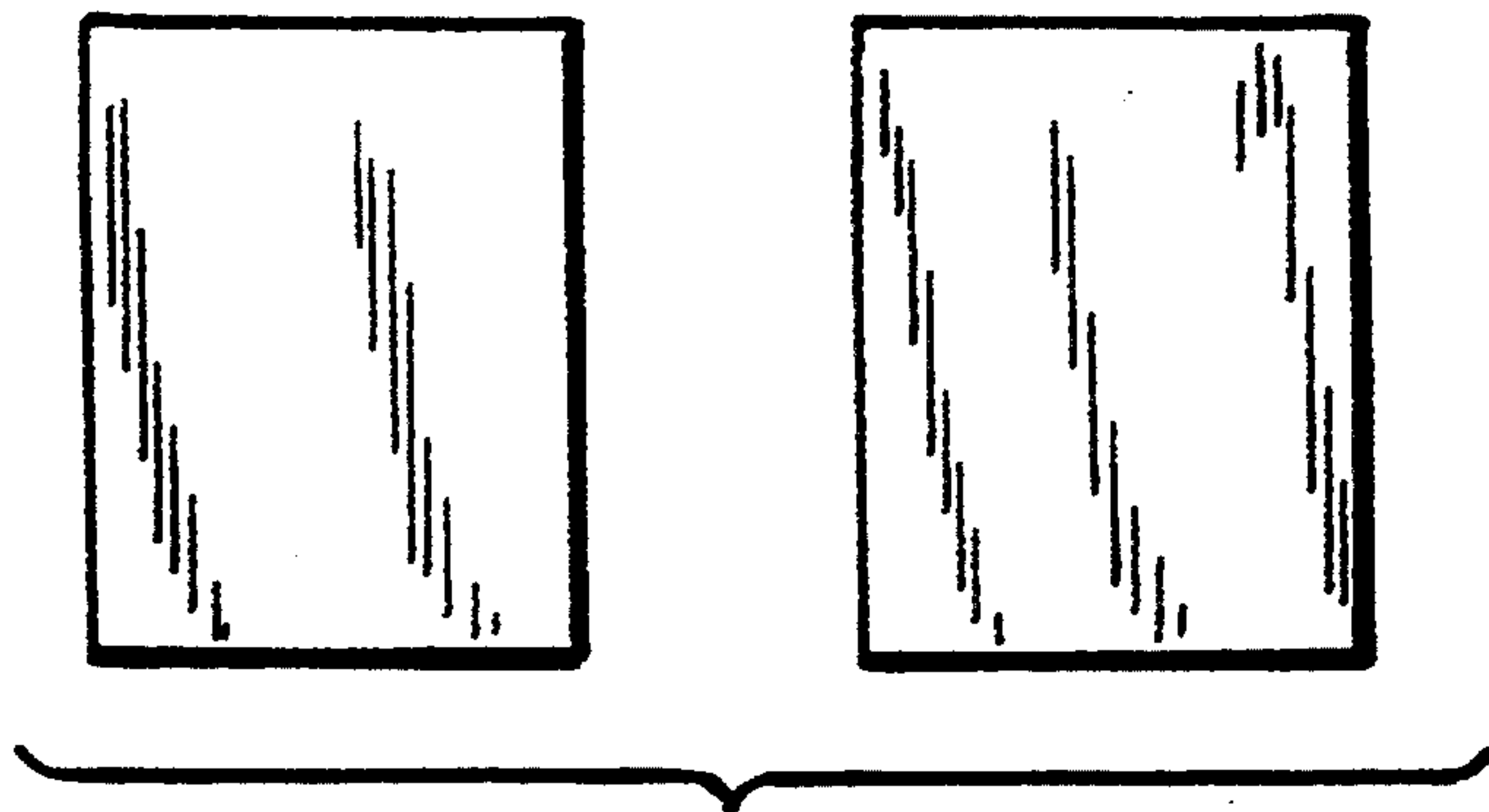


FIG. 11

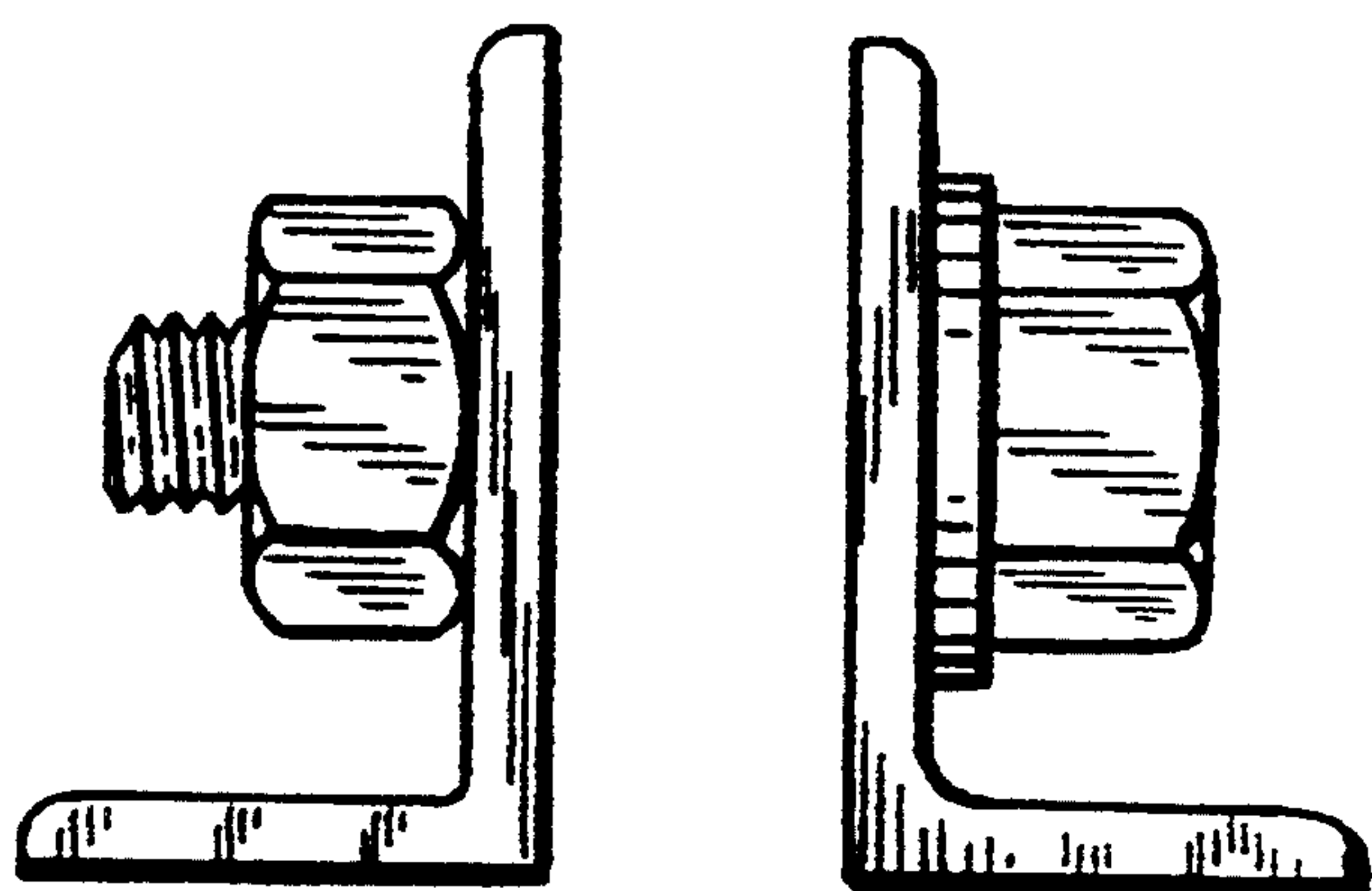


FIG. 12

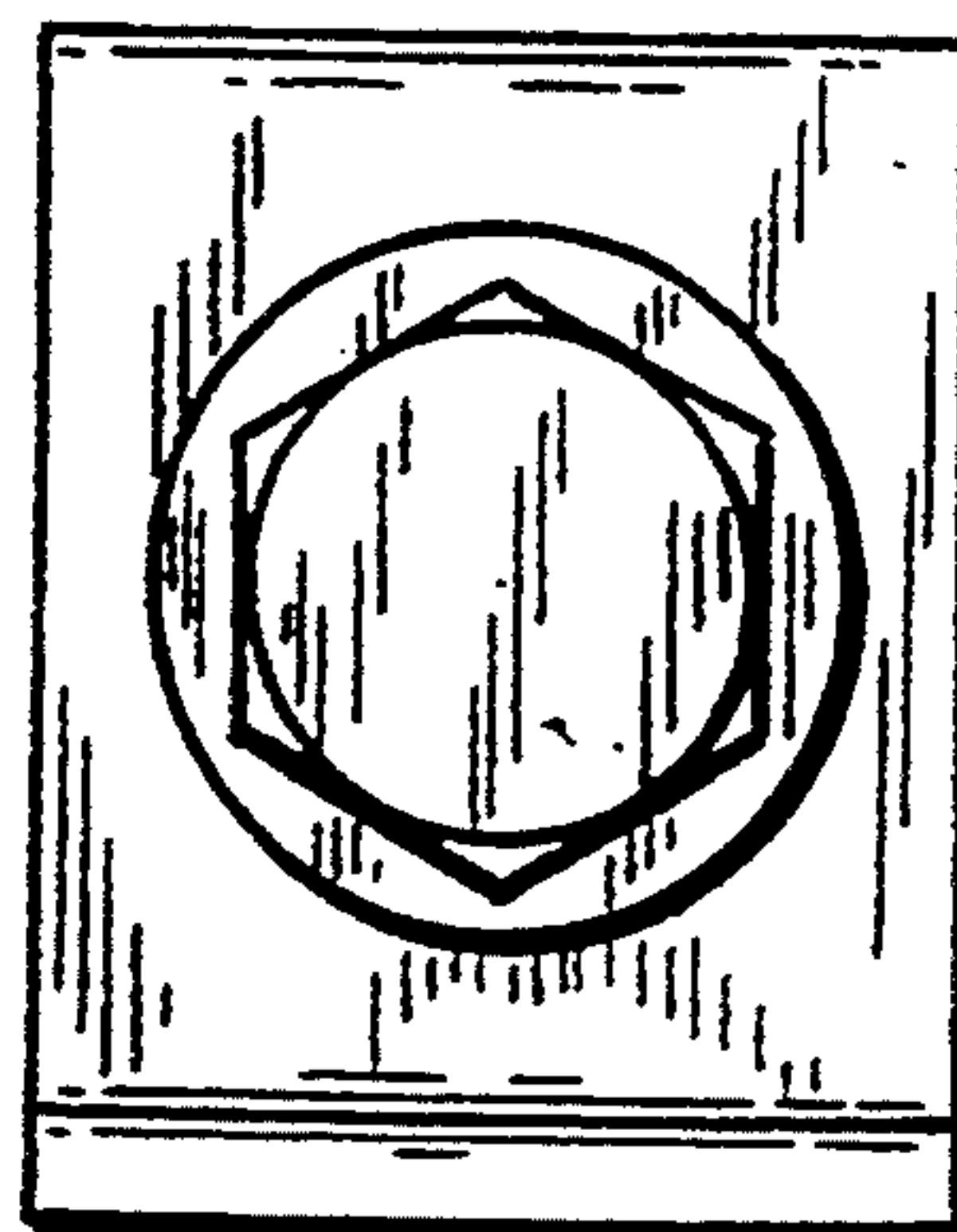


FIG. 13

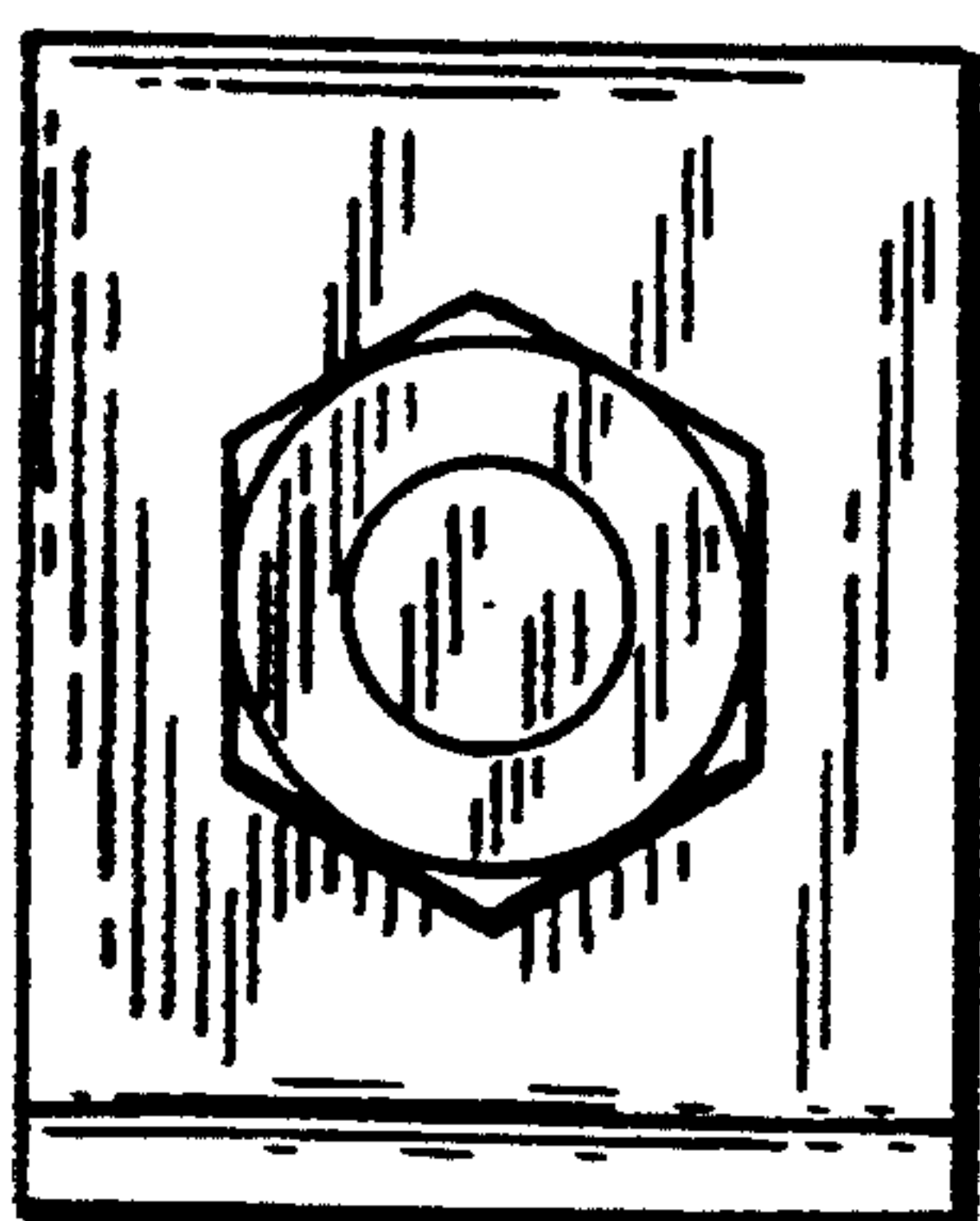


FIG. 14

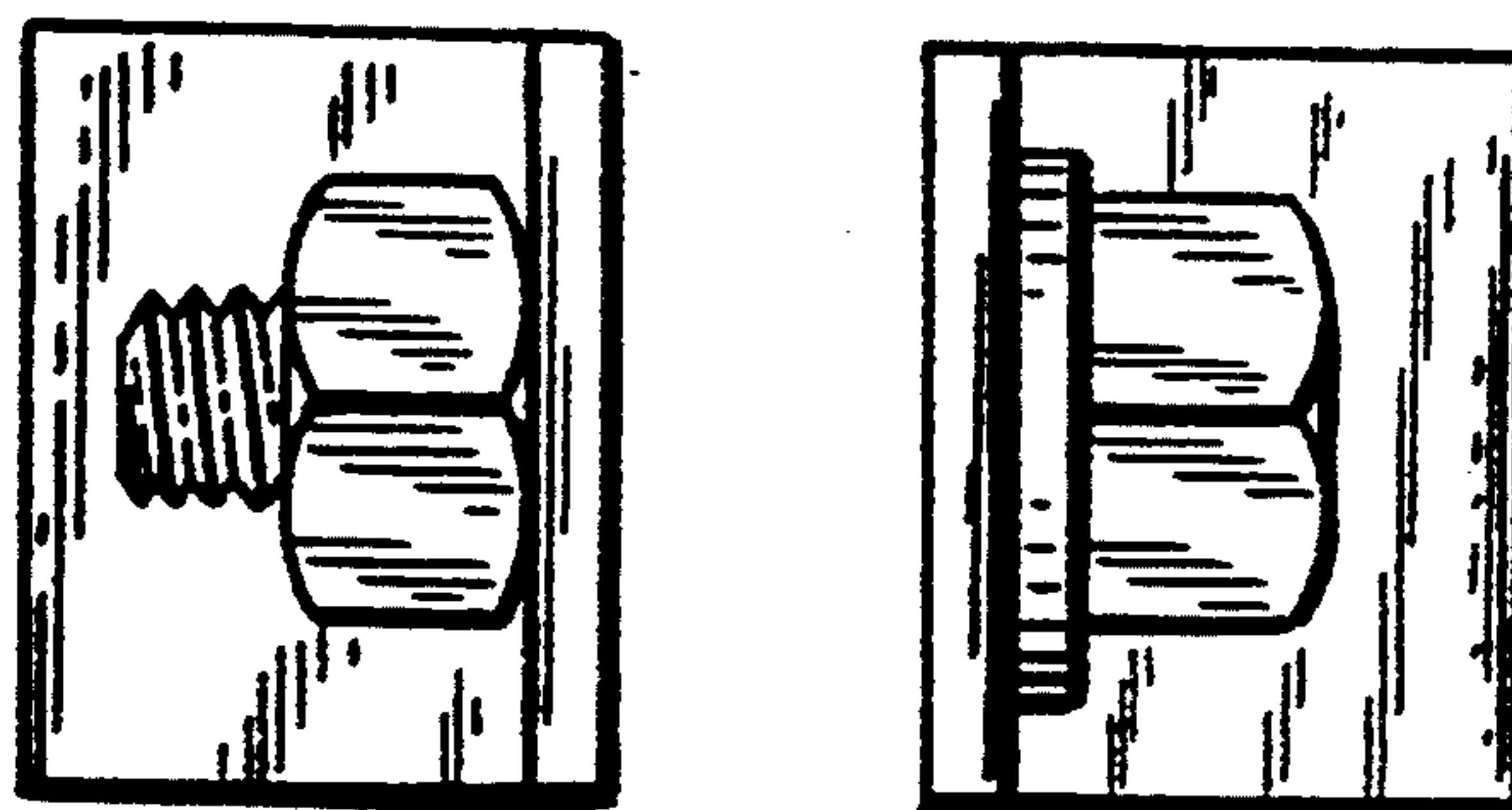


FIG. 15

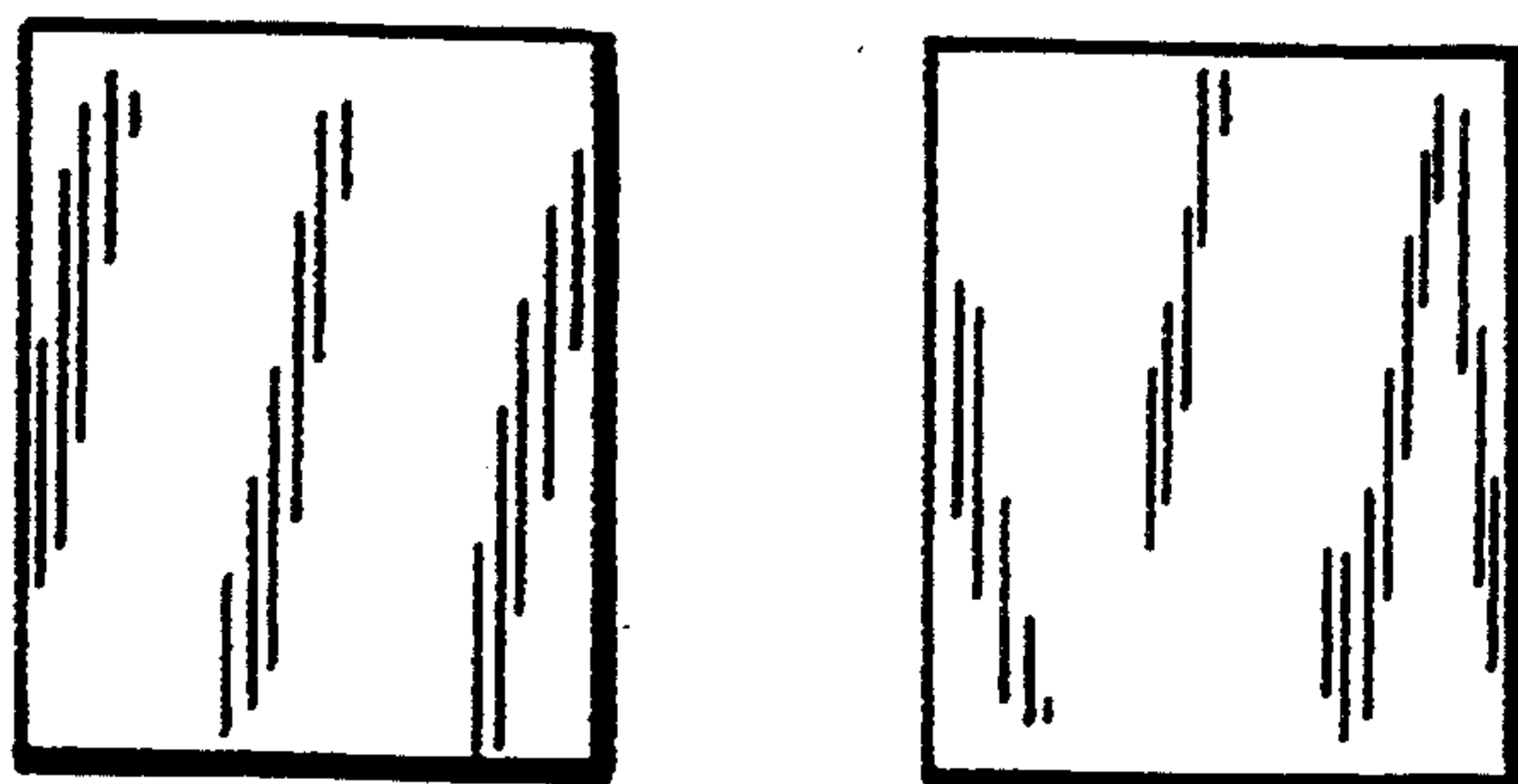


FIG. 16