



US00D362006S

United States Patent [19]

[11] Patent Number: **Des. 362,006**

Rulseh et al.

[45] Date of Patent: **** Sep. 5, 1995**

[54] **COMBINED CIRCULAR KNIFE AND GUARD**

[76] Inventors: **Tim Rulseh**, 2252 Meadow Green Dr., Neenah, Wis. 54956; **Edwin Gast**, 1407 Franklin, Little Chute, Wis. 54140; **Barry Hammerberg**, P.O. Box 618, Neenah n, Wis. 54957

[**] Term: **14 Years**

[21] Appl. No.: **22,668**

[22] Filed: **May 10, 1994**

[52] U.S. Cl. **D15/139; D15/138**

[58] Field of Search D8/51, 14, 98; 30/292, 30/293, 307, 319, 263, 299; 83/478, 482, 502; D15/139, 138

[56] **References Cited**

U.S. PATENT DOCUMENTS

D. 288,522	3/1987	Salem	D8/98
D. 341,764	11/1993	Birkholz	D8/98
1,467,006	9/1923	Murray	30/319
3,286,349	11/1966	Larson	30/292
3,511,123	5/1970	Smith	83/482
4,301,594	11/1981	Okada	30/292
4,432,137	2/1984	Okada	30/319
4,438,673	3/1984	Noffke et al.	83/482
4,601,103	7/1986	Sugiyama	30/319
4,741,234	5/1988	Colombo	83/482

4,809,437	3/1989	Saliaris	30/319
4,884,342	12/1989	McNamara et al.	30/162
4,887,598	12/1989	Berke	30/319
5,131,304	7/1992	Paavola	83/478
5,243,890	9/1993	Ober	83/478

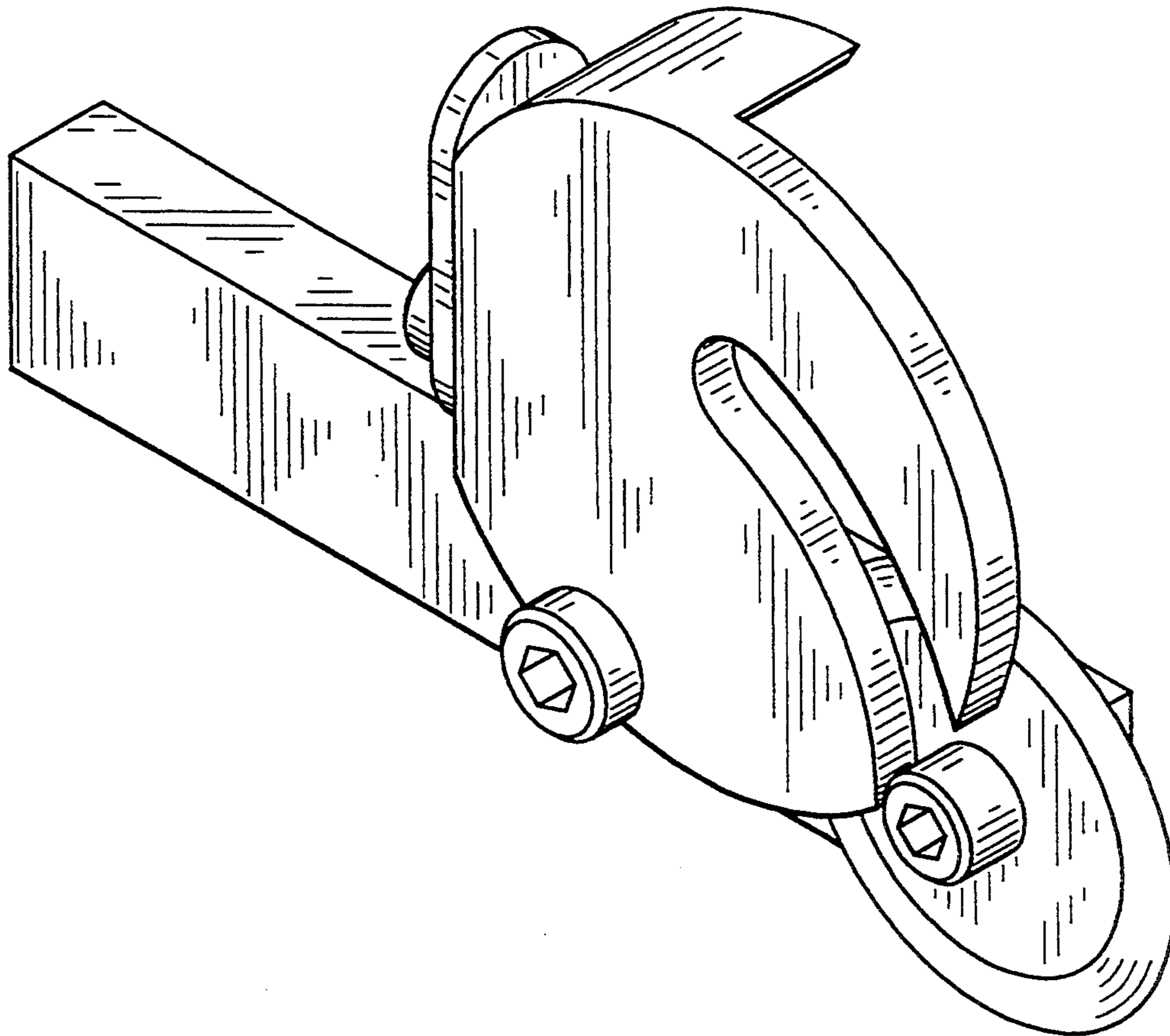
Primary Examiner—Ted Shooman
Assistant Examiner—Philip Hyder
Attorney, Agent, or Firm—Russell L. Johnson

[57] **CLAIM**

The ornamental design for a combined circular knife and guard, as shown and described.

DESCRIPTION

FIG. 1 is a perspective view taken from the knife side, showing the guard in the raised position; FIG. 2 is a perspective view taken from the knife side, showing the guard in the lowered position; FIG. 3 is a perspective view taken from the mount side, showing the guard in the raised position; FIG. 4 is a perspective view taken from the mount side, showing the guard in the lowered and locked position; FIG. 5 is an elevational view of the knife side, showing the guard in the lowered position; FIG. 6 is an elevational view of the mount side, showing the guard in the lowered position; FIG. 7 is a rear elevational view thereof; and, FIG. 8 is a bottom plan view thereof.



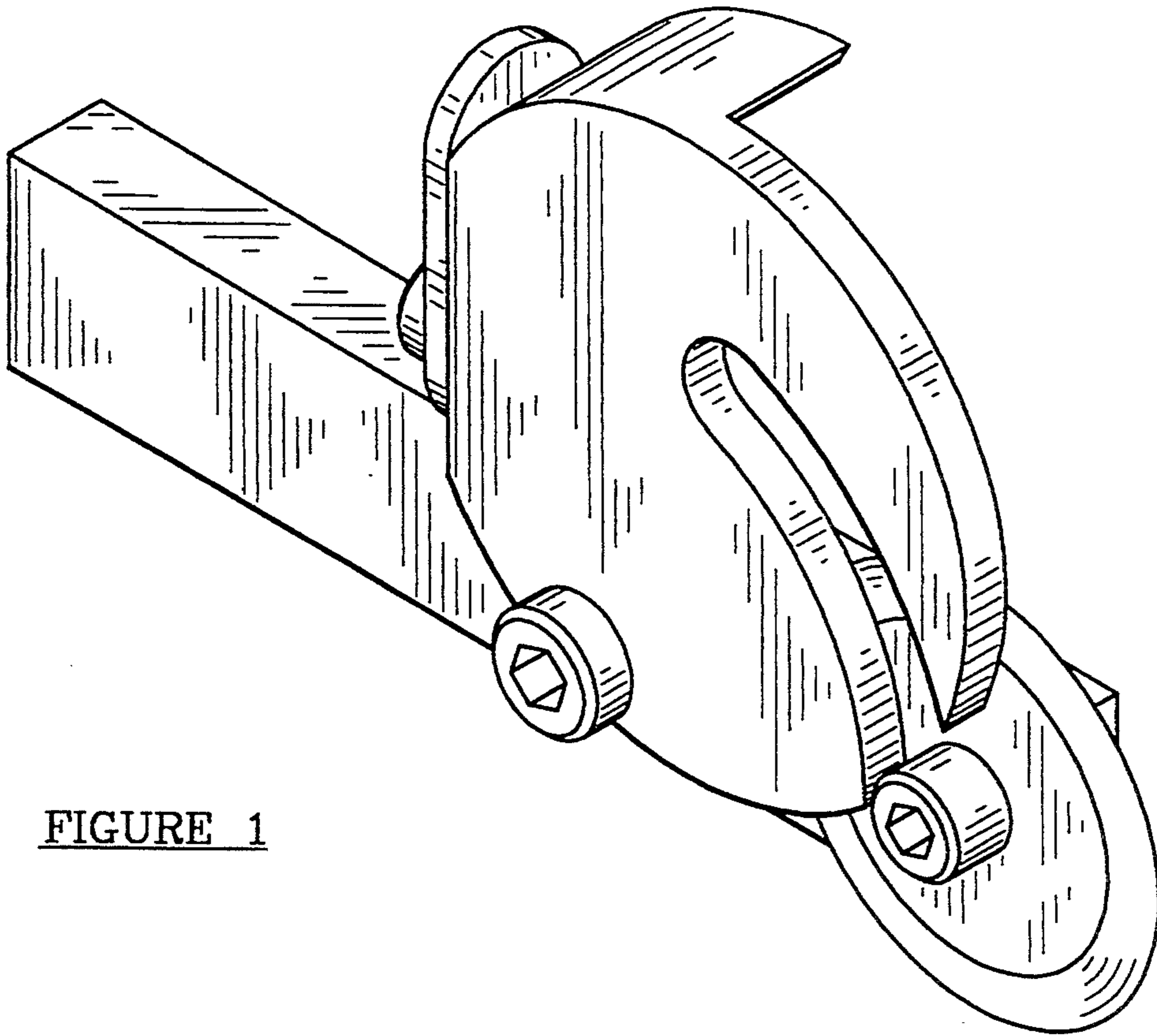


FIGURE 1

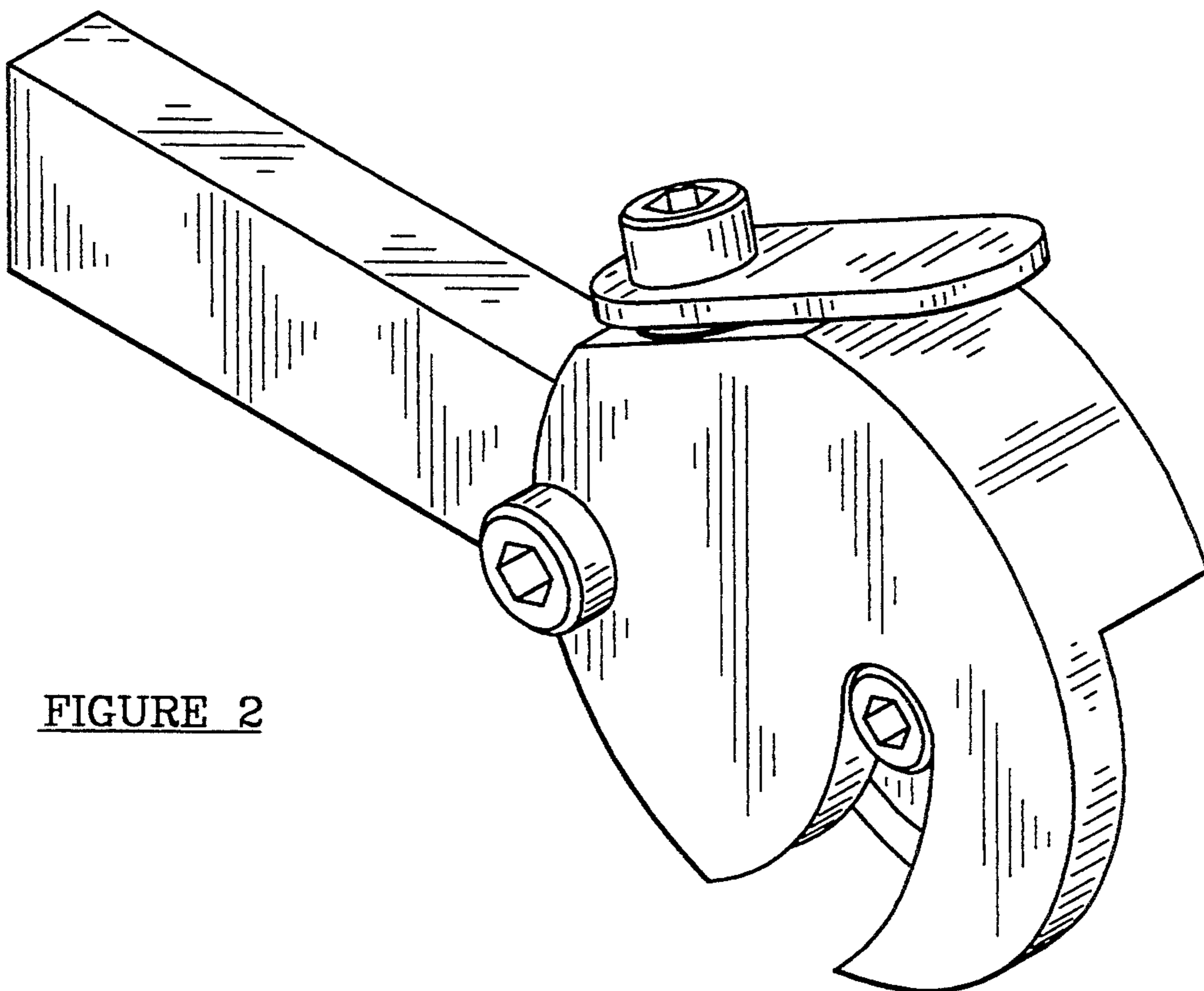


FIGURE 2

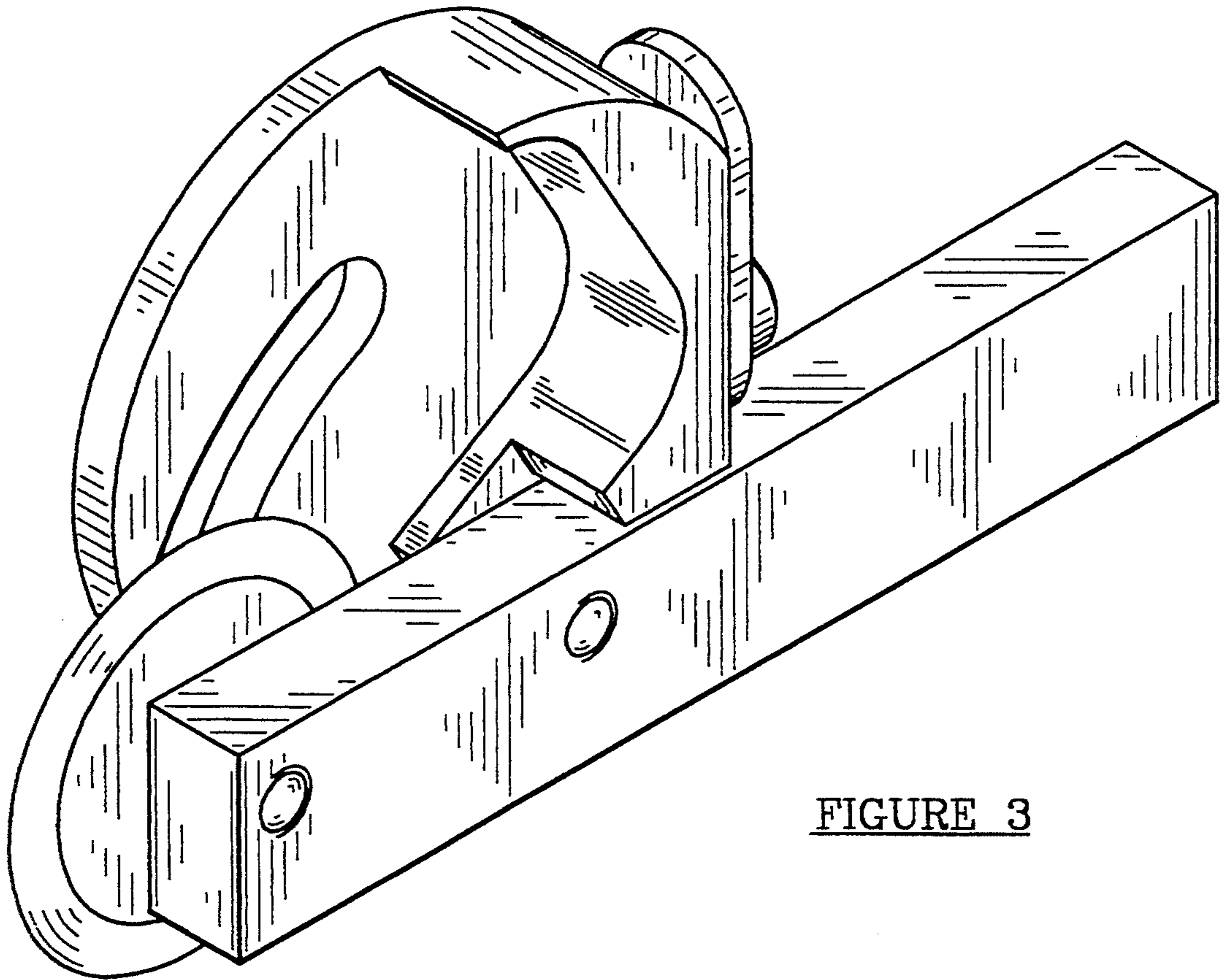


FIGURE 3

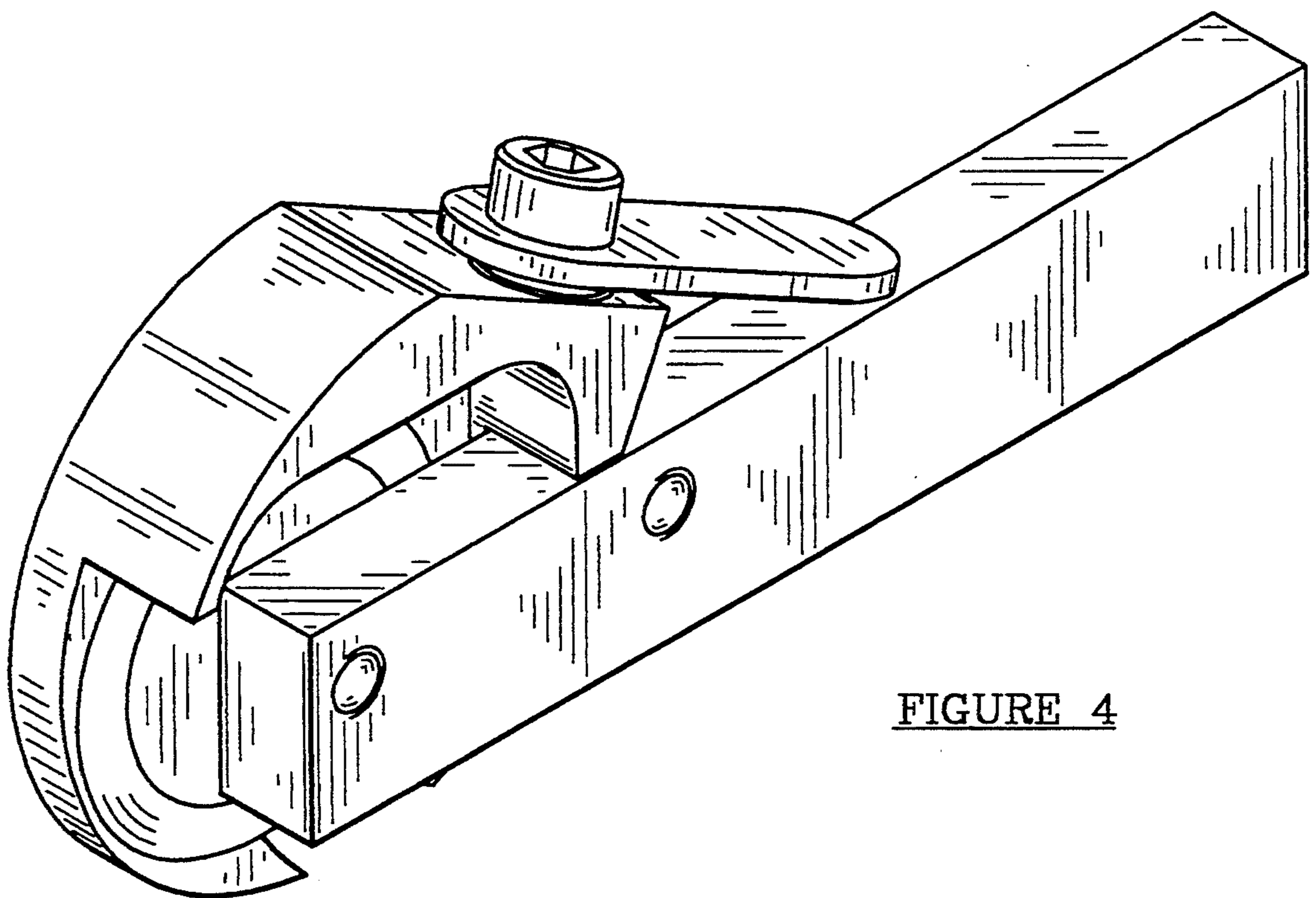


FIGURE 4

FIGURE 5

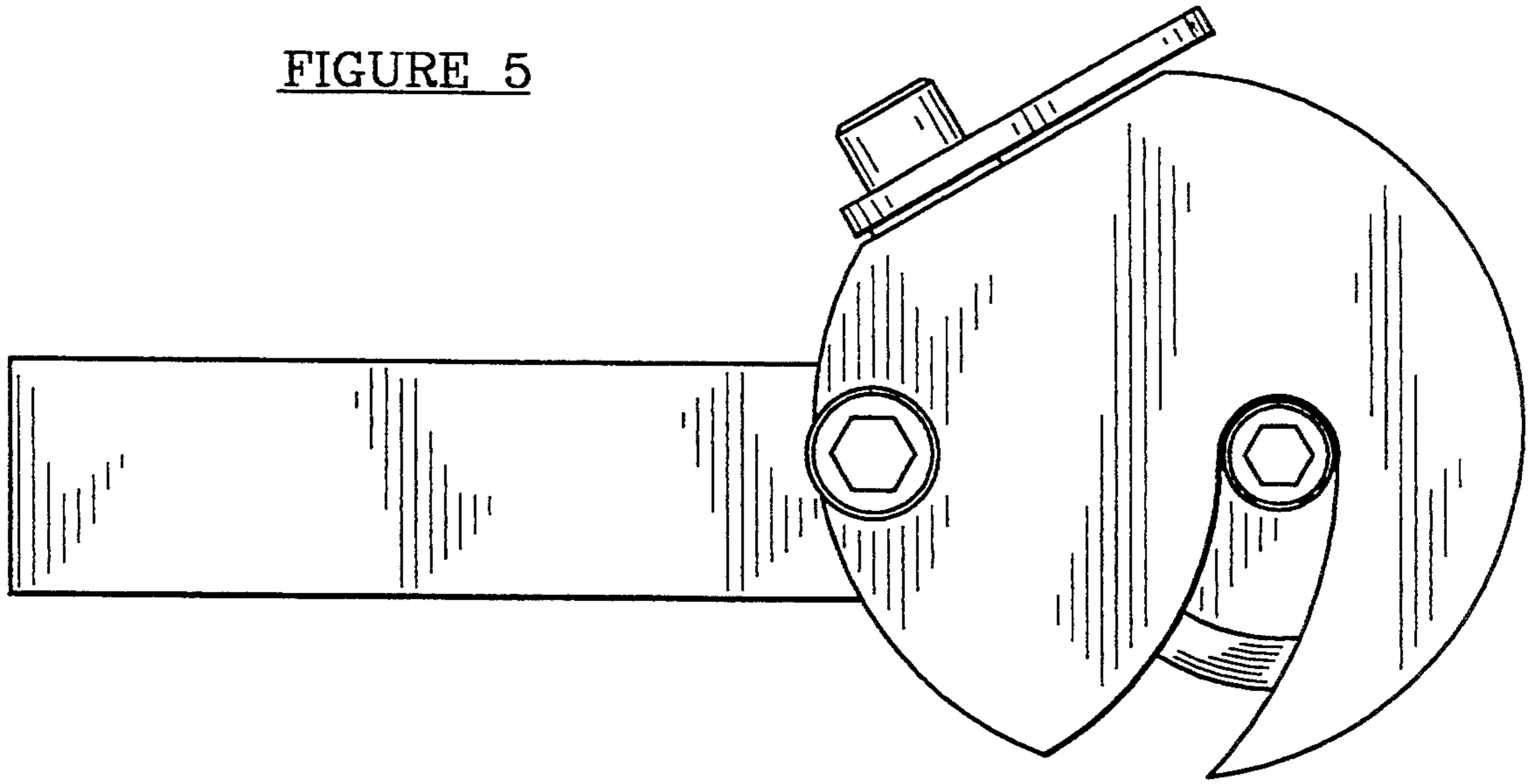


FIGURE 6

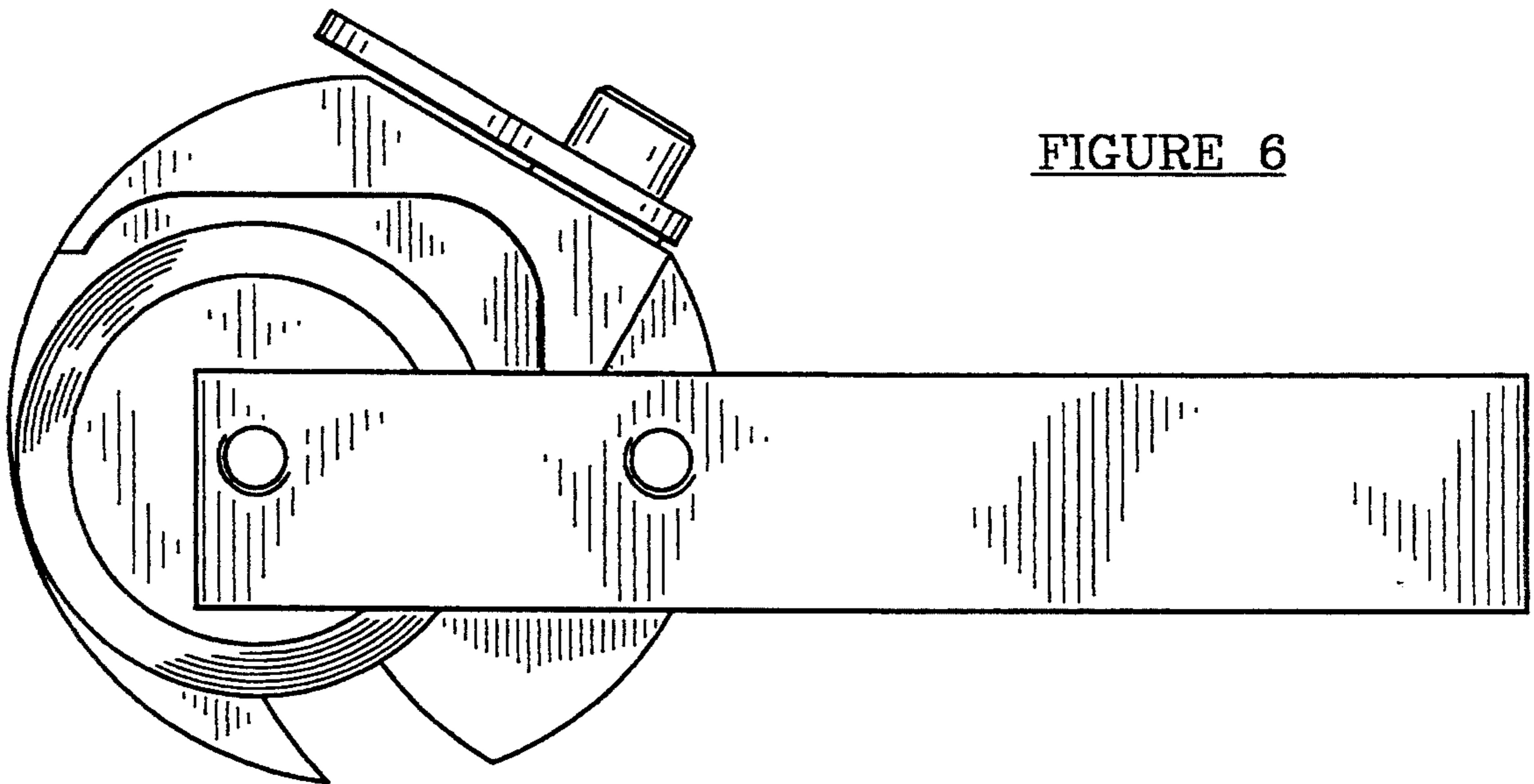


FIGURE 7

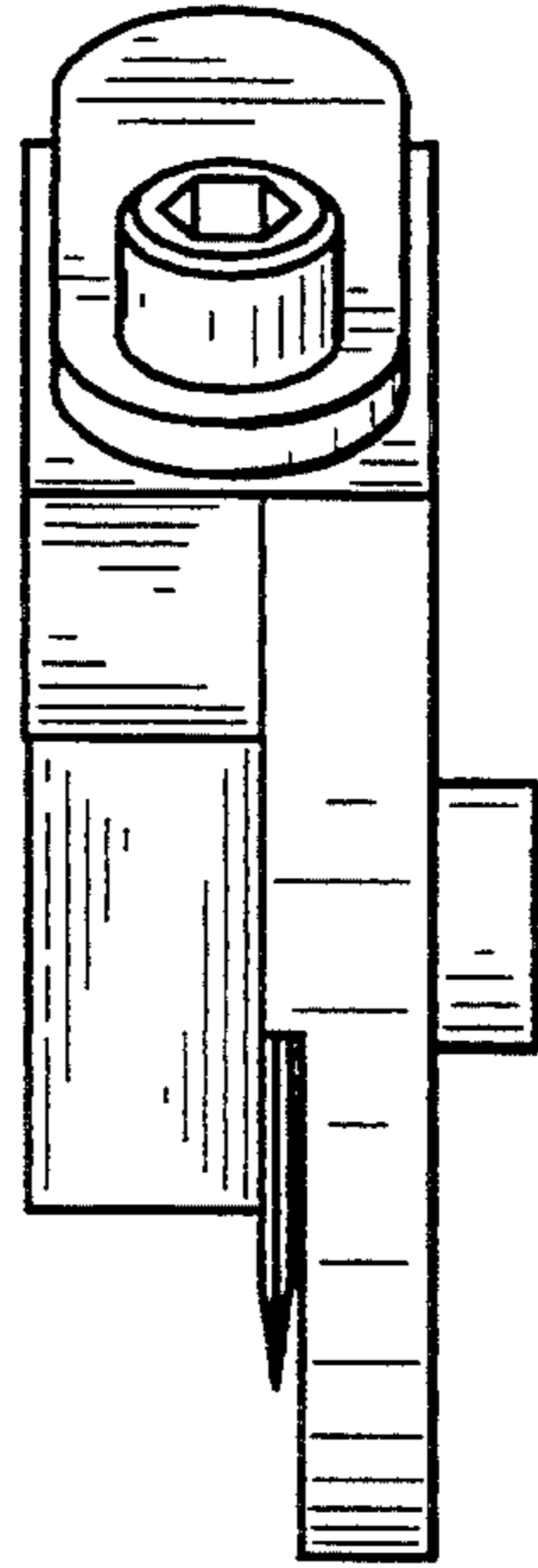


FIGURE 8

