



US00D362005S

United States Patent [19]

[11] Patent Number: **Des. 362,005**

Lee et al.

[45] Date of Patent: **** Sep. 5, 1995**

[54] **BINOCULAR**

4,013,341 3/1977 Riley 359/480 X

[75] Inventors: **Jason Lee**, Montclair, N.J.; **Arthur Becker**, New York, N.Y.

Primary Examiner—Doris V. Coles
Attorney, Agent, or Firm—Abelman, Frayne and Schwab

[73] Assignee: **Bnox, Inc.**, New York, N.Y.

[57] **CLAIM**

[**] Term: **14 Years**

The ornamental design for a binocular, as shown and described.

[21] Appl. No.: **28,525**

DESCRIPTION

[22] Filed: **Sep. 16, 1994**

[52] U.S. Cl. **D16/133**

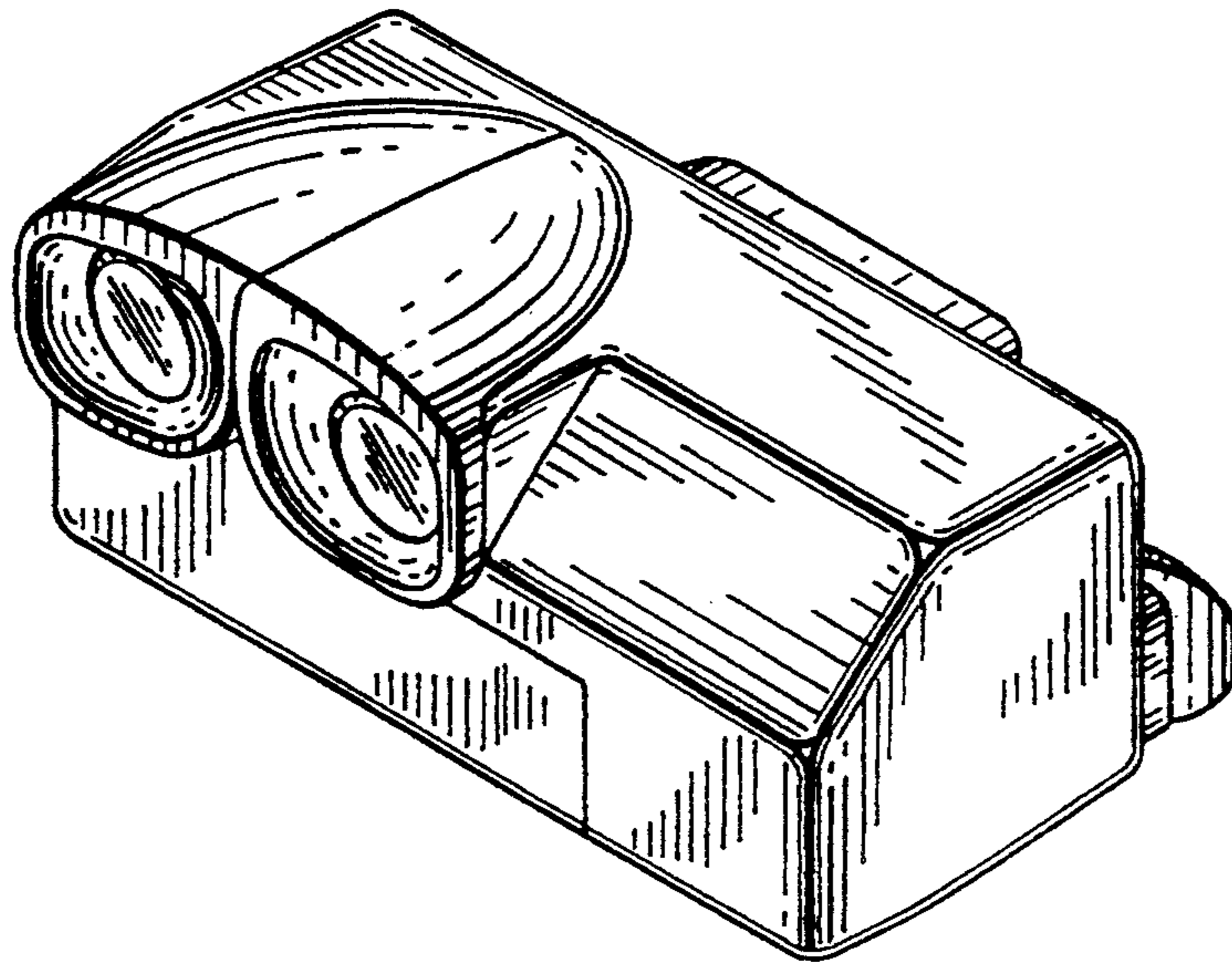
[58] Field of Search D16/133; 359/408-419, 359/421, 422, 579, 554, 555, 556

FIG. 1 is a front perspective view of the binocular;
FIG. 2 is a rear perspective view thereof;
FIG. 3 is a front elevation thereof;
FIG. 4 is a plan view thereof;
FIG. 5 is an underside plan view thereof;
FIG. 6 is a left-side elevation thereof;
FIG. 7 is a right-side elevation thereof; and,
FIG. 8 is a rear elevation thereof.

[56] **References Cited**

U.S. PATENT DOCUMENTS

D. 311,013 10/1990 Wakayama et al. D16/133



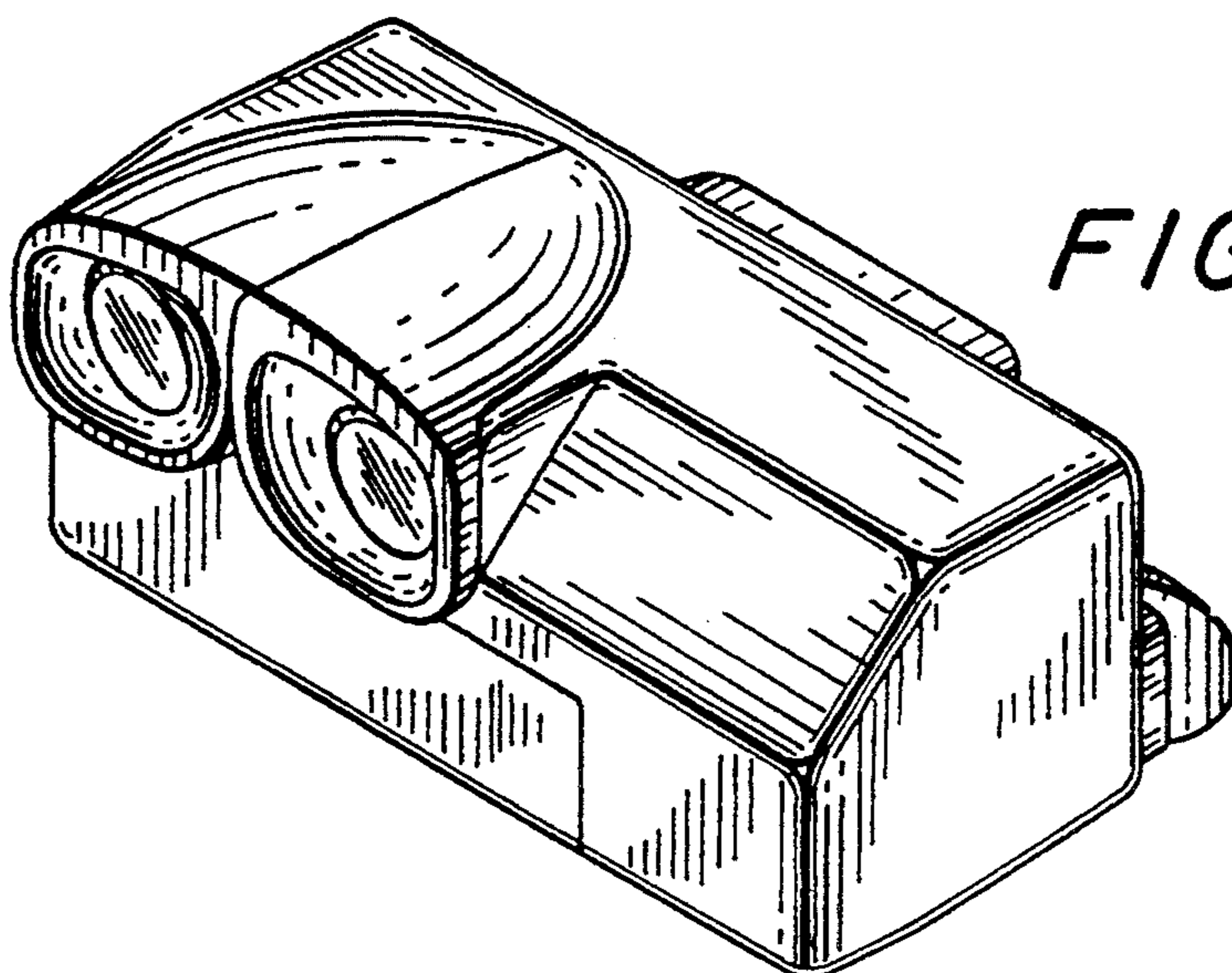


FIG. 1

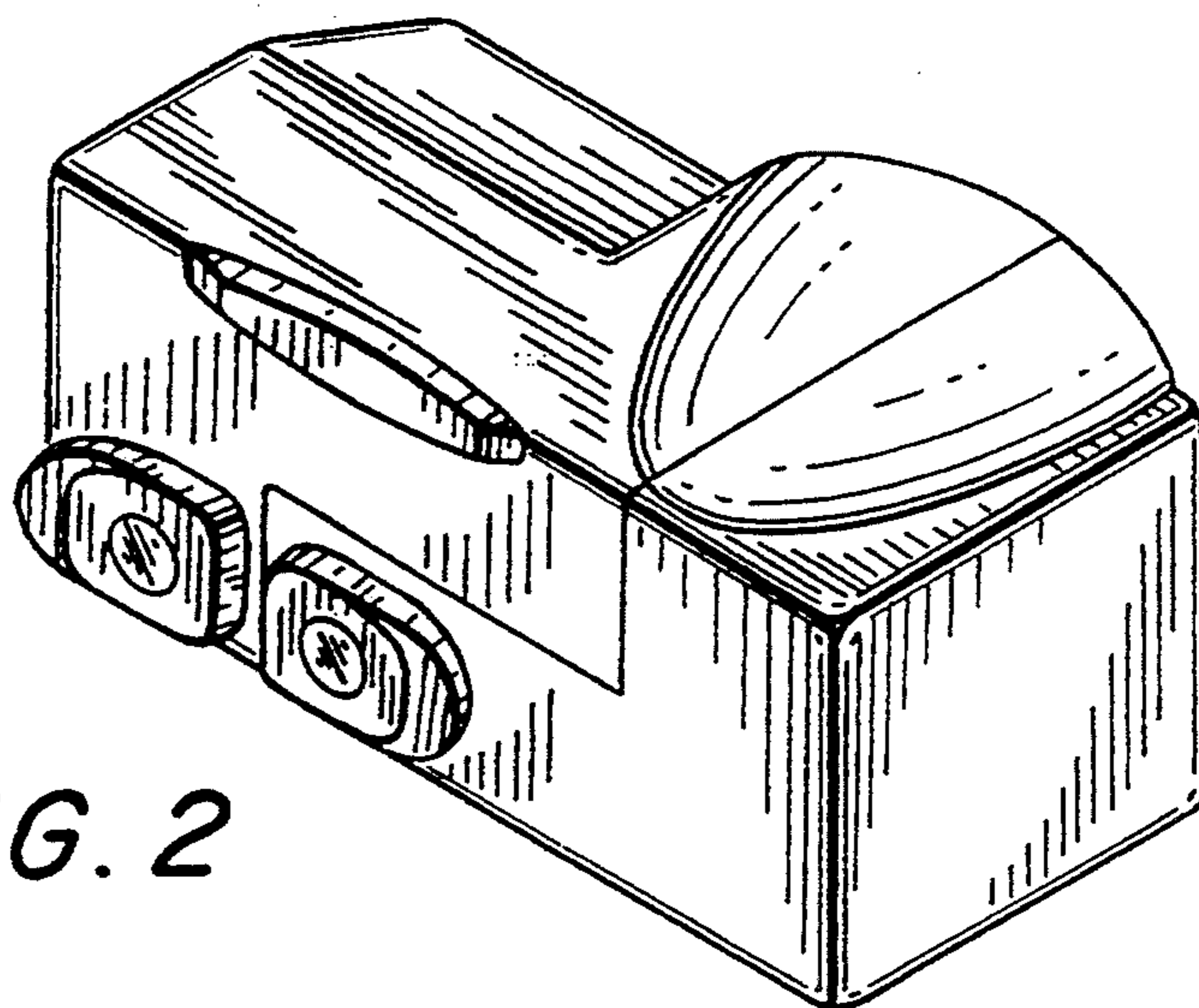


FIG. 2

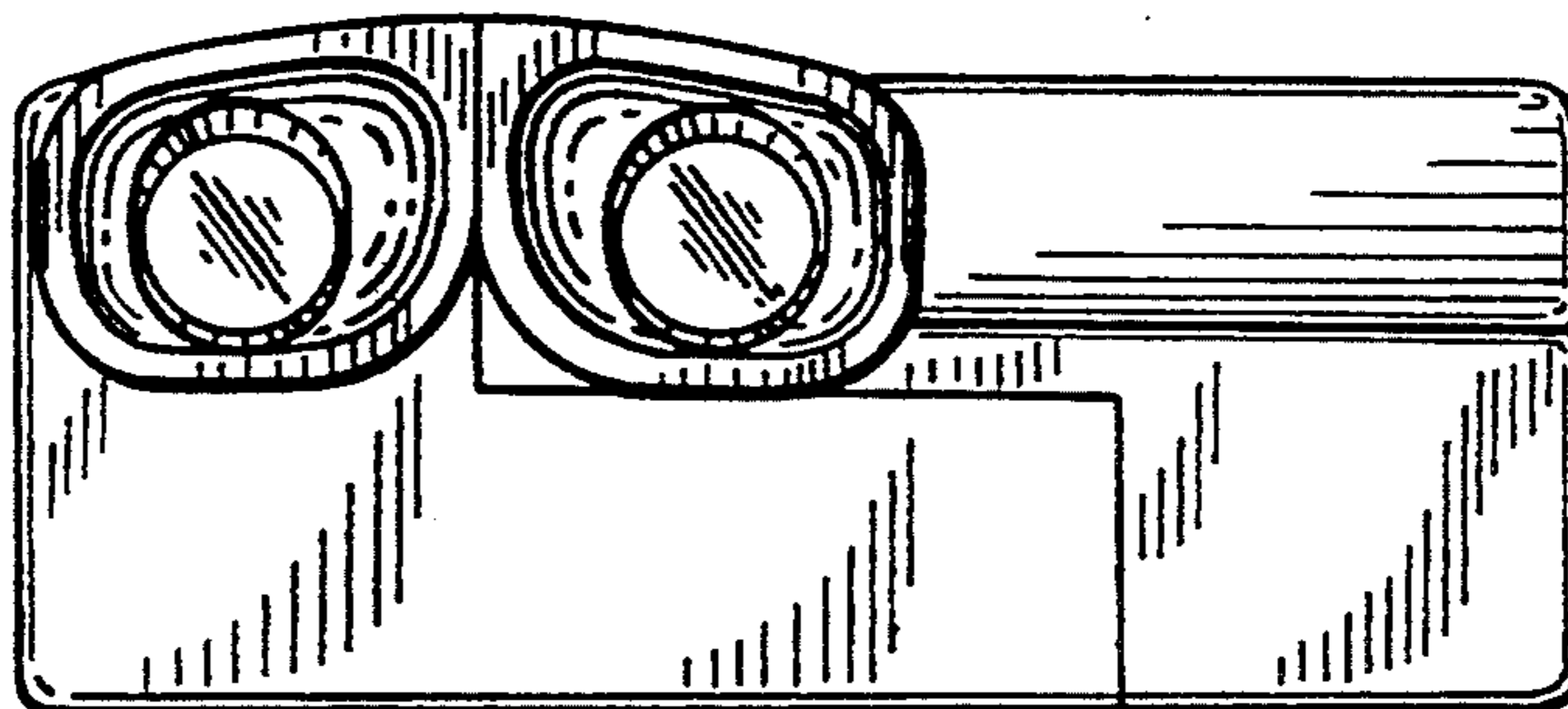


FIG. 3

FIG. 4

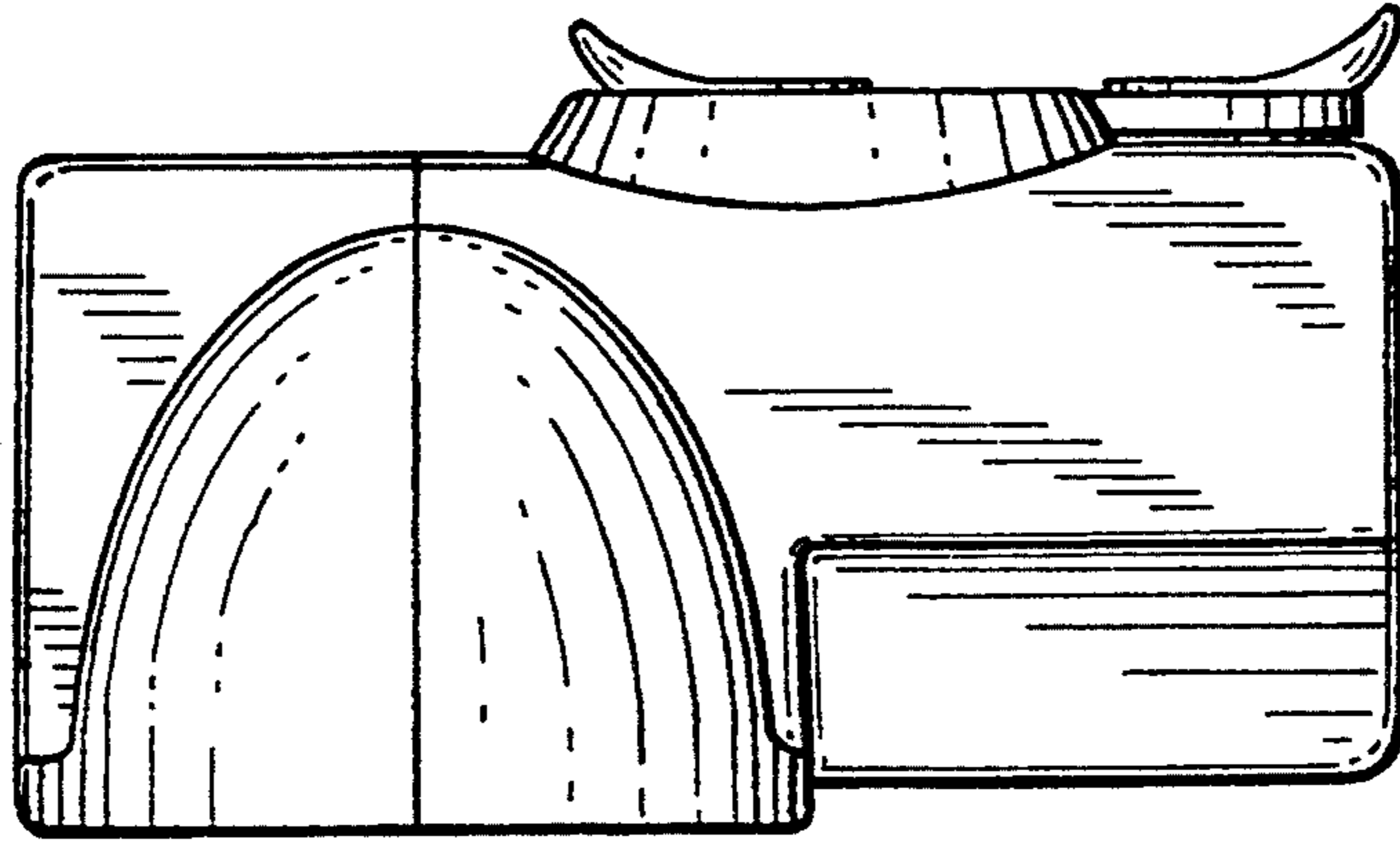


FIG. 5

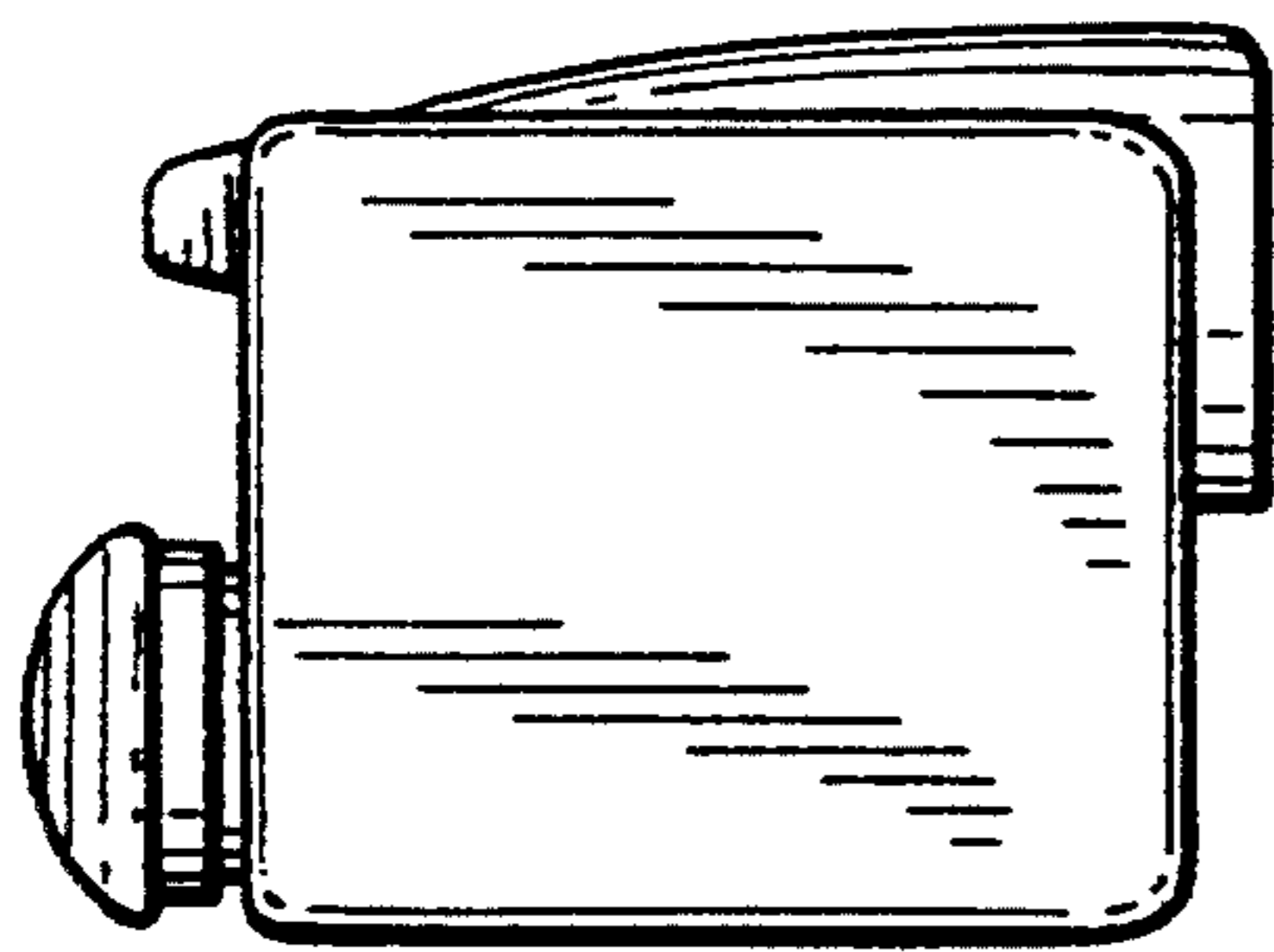
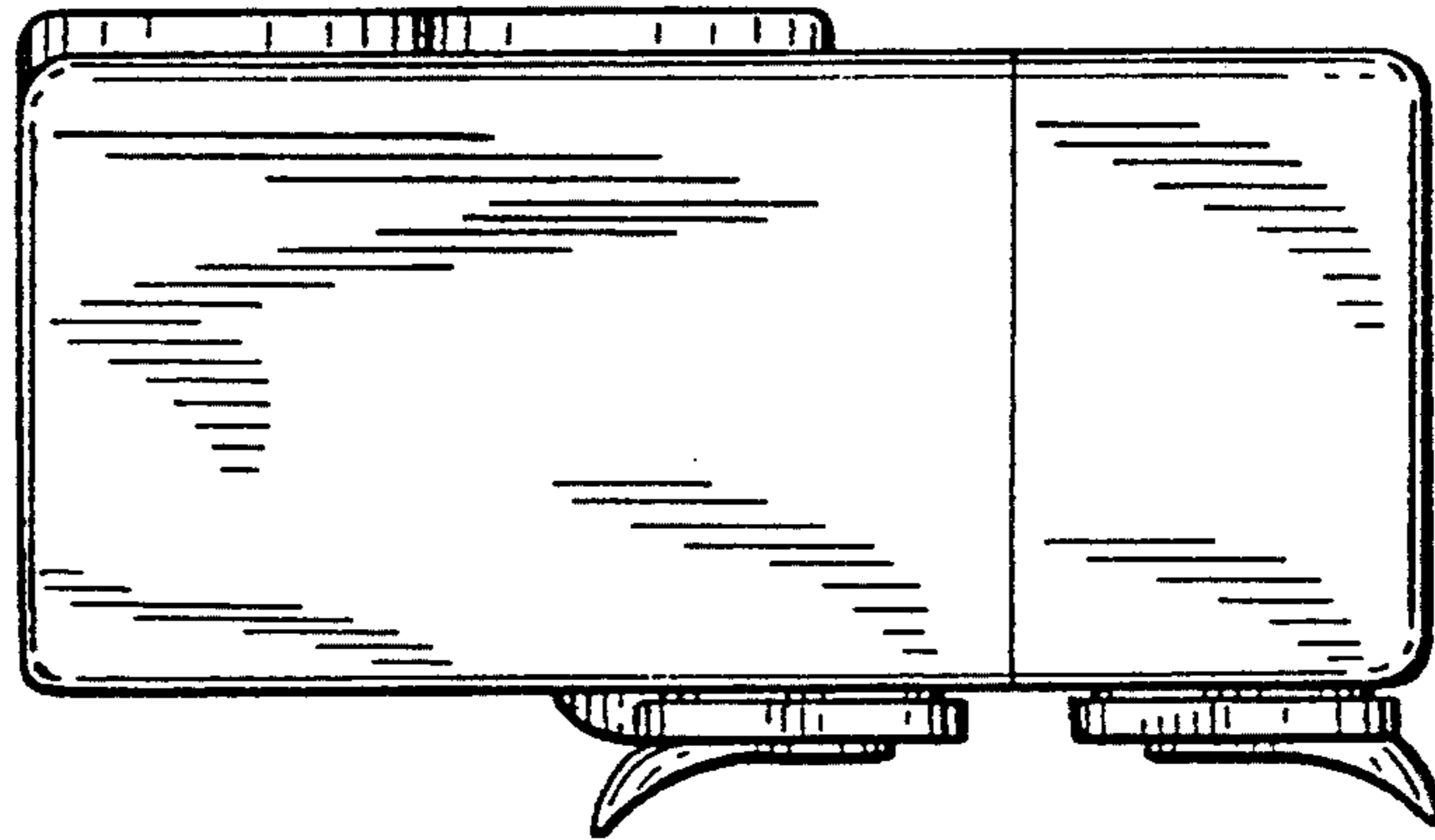


FIG. 6

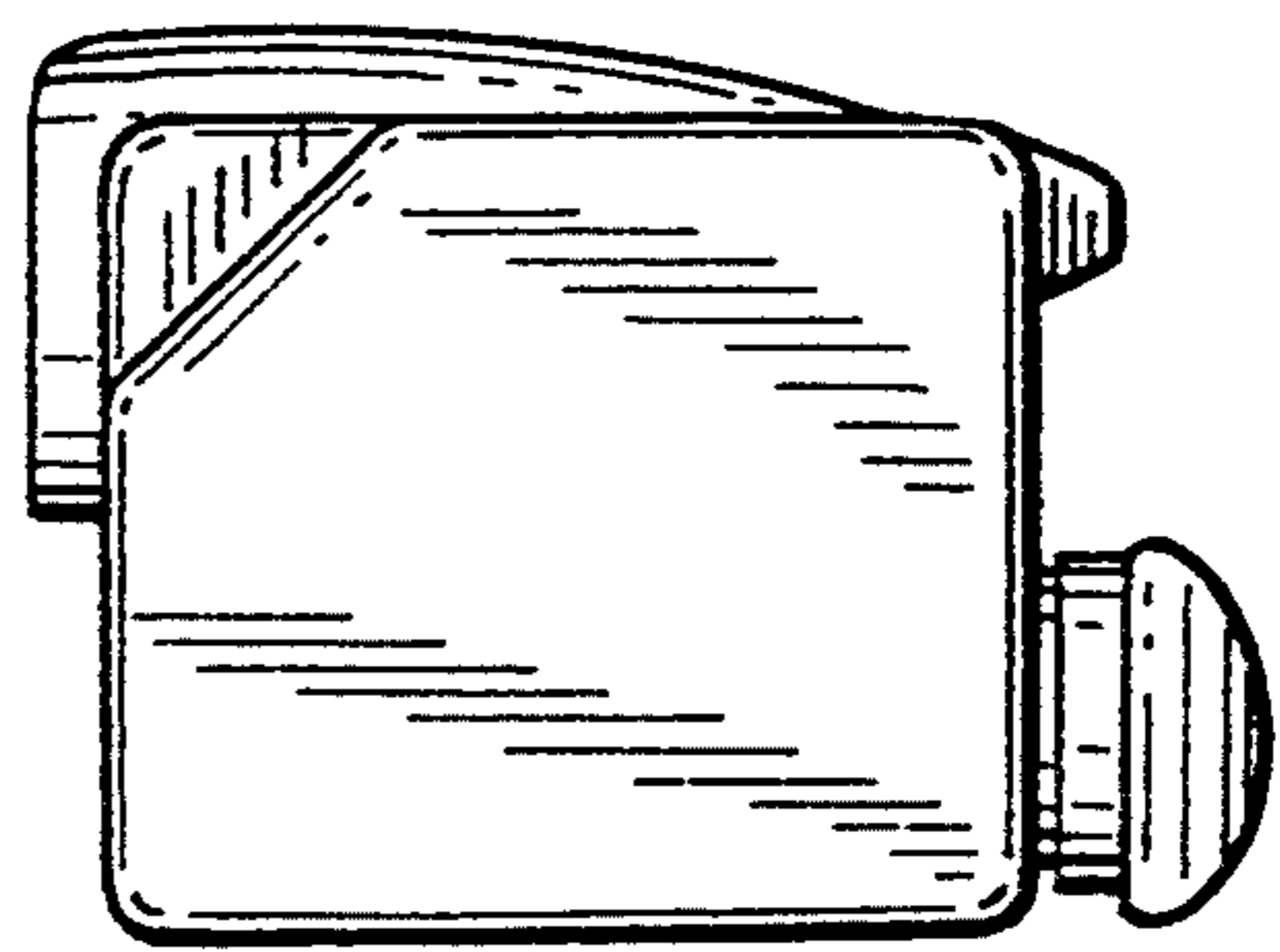


FIG. 7

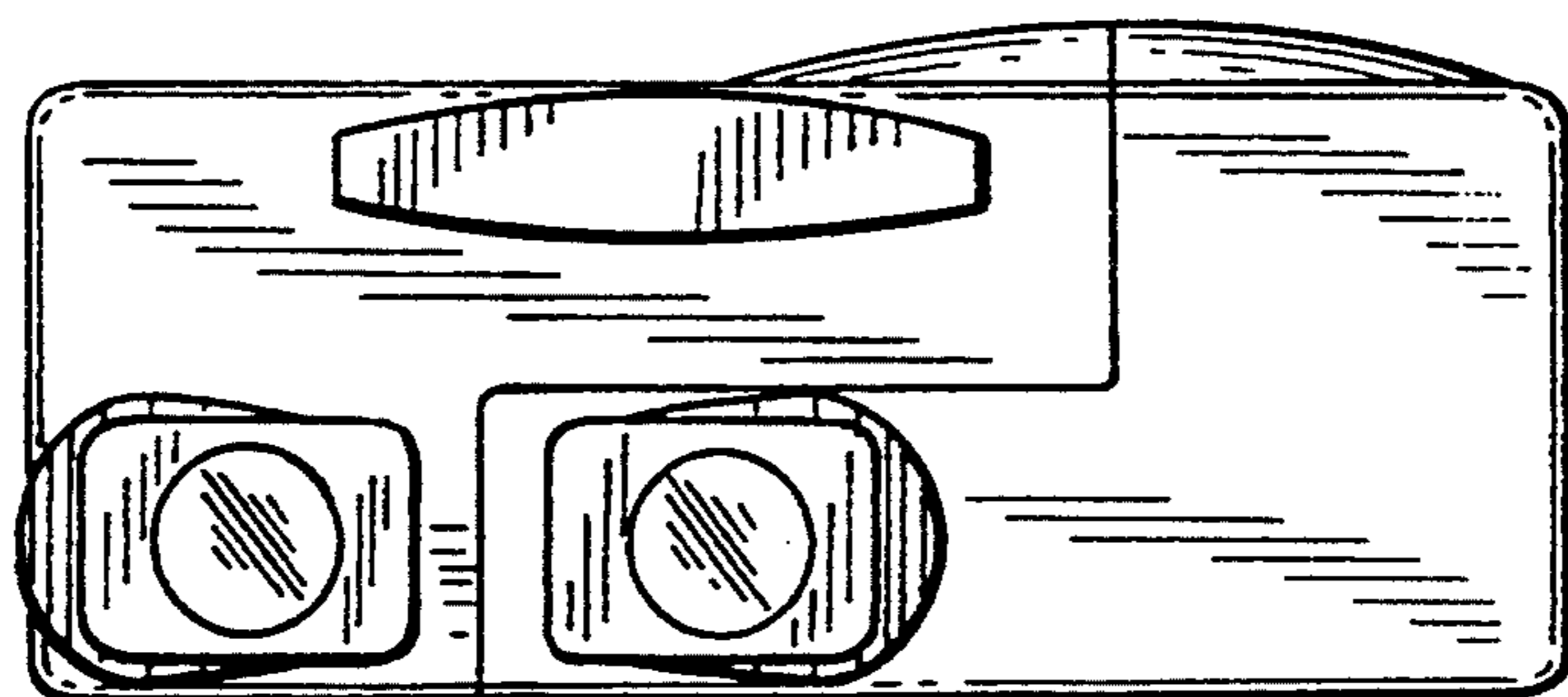


FIG. 8