



US00D361993S

# United States Patent [19]

[11] Patent Number: **Des. 361,993**

Egly et al.

[45] Date of Patent: **\*\* Sep. 5, 1995**

[54] **COMPUTER MONITOR SCREEN**

4,712,870 12/1987 Robinson et al. .... 248/918 X  
5,320,318 6/1994 Chen ..... 248/918 X

[75] Inventors: **Robert A. Egly**, 31 Belcourt South,  
Newport Beach, Calif. 92660;  
**Patrick Sullivan**, Tustin, Calif.

*Primary Examiner*—Melanie H. Tung  
*Attorney, Agent, or Firm*—George F. Bethel; Patience  
K. Bethel

[73] Assignee: **Robert A. Egly**, Newport Beach,  
Calif.

### [57] CLAIM

[\*\*] Term: **14 Years**

The ornamental design for a computer monitor screen,  
as shown.

[21] Appl. No.: **24,611**

### DESCRIPTION

[22] Filed: **Jun. 17, 1994**

[52] U.S. Cl. .... **D14/114**

[58] Field of Search ..... D14/113-114,  
D14/239; D18/18, 22, 12; 348/832-835;  
359/599, 601, 608-610, 614, 894

FIG. 1 shows a perspective view of the computer moni-  
tor screen looking from the frontal side thereof;

FIG. 2 shows a front elevation view of the computer  
monitor screen;

FIG. 3 shows a side elevation view looking from the left  
side of FIG. 1;

FIG. 4 shows a top plan view looking downwardly on  
FIG. 1;

FIG. 5 shows a side elevation view looking from the  
right side of FIG. 1.

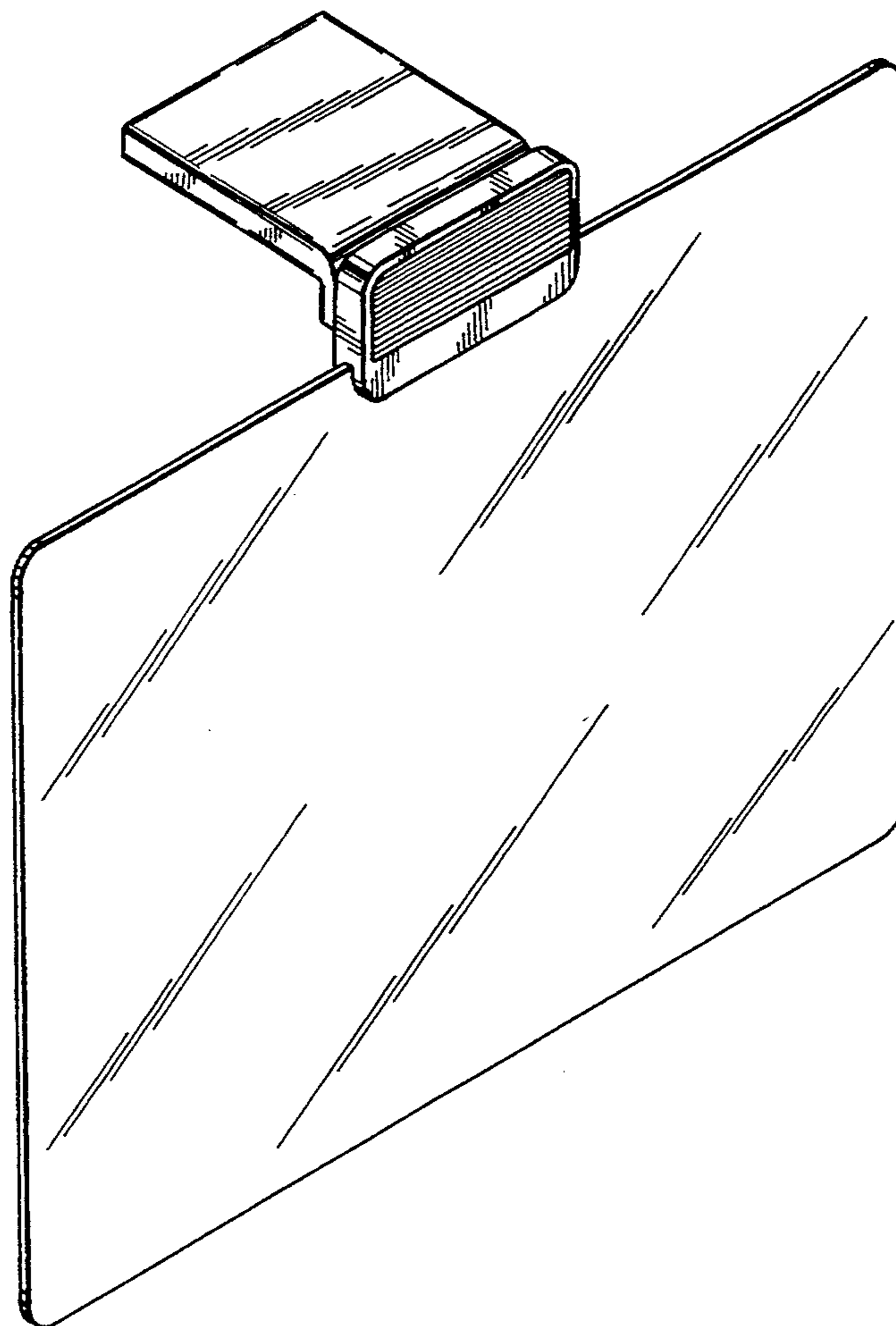
FIG. 6 shows a rear elevation view looking from the  
back of FIG. 1; and,

FIG. 7 shows a view looking upwardly from the bottom  
of FIG. 1.

### [56] References Cited

#### U.S. PATENT DOCUMENTS

|            |         |               |       |         |
|------------|---------|---------------|-------|---------|
| D. 298,250 | 10/1988 | Kildall       | ..... | D14/114 |
| D. 311,739 | 10/1990 | De Lucchi     | ..... | D14/114 |
| D. 331,397 | 12/1992 | Howitt et al. | ..... | D14/114 |
| D. 338,194 | 8/1993  | Hartwig       | ..... | D14/114 |
| D. 342,063 | 12/1993 | Howitt et al. | ..... | D14/114 |
| D. 350,342 | 9/1994  | Sack          | ..... | D14/114 |



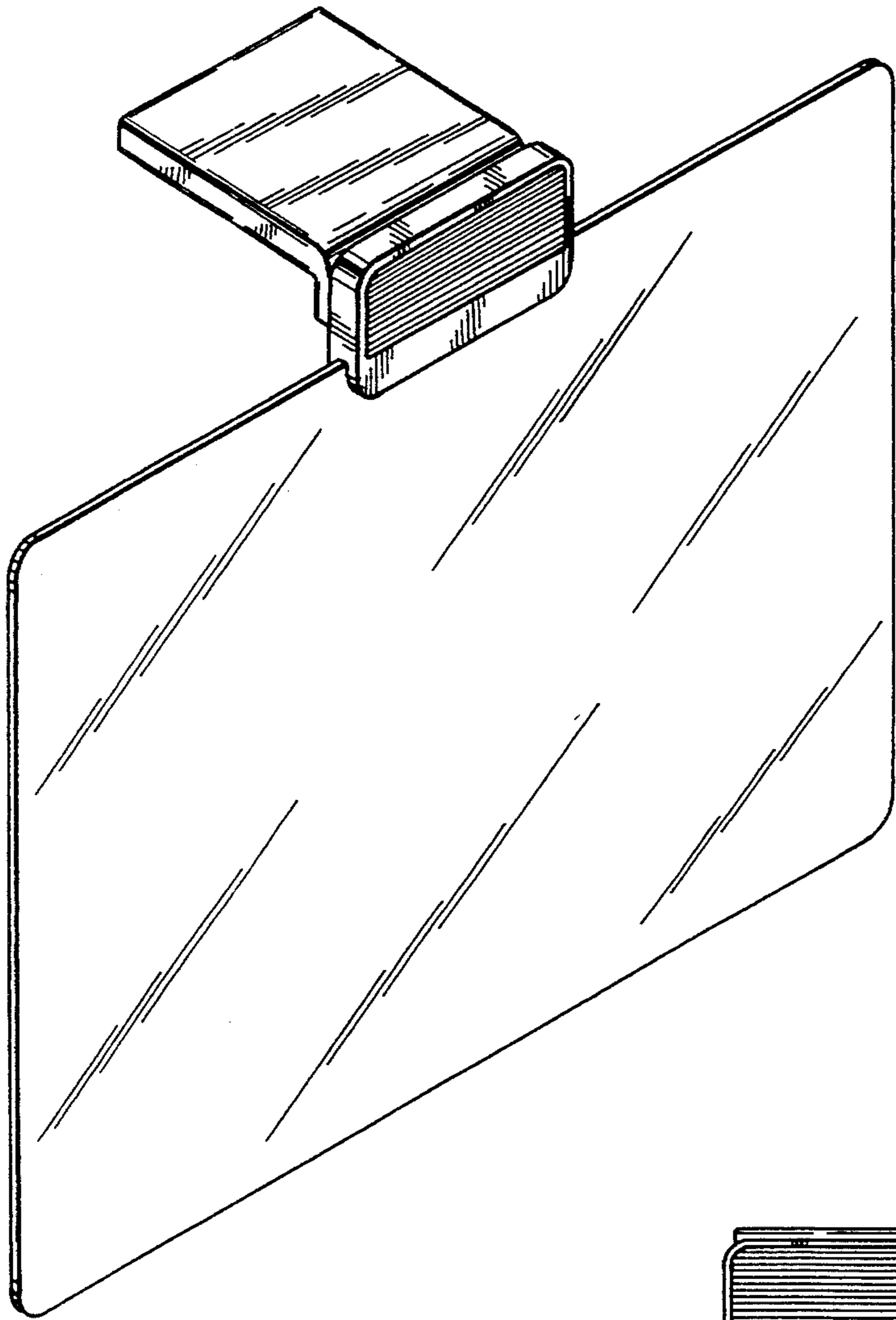


Fig. 1

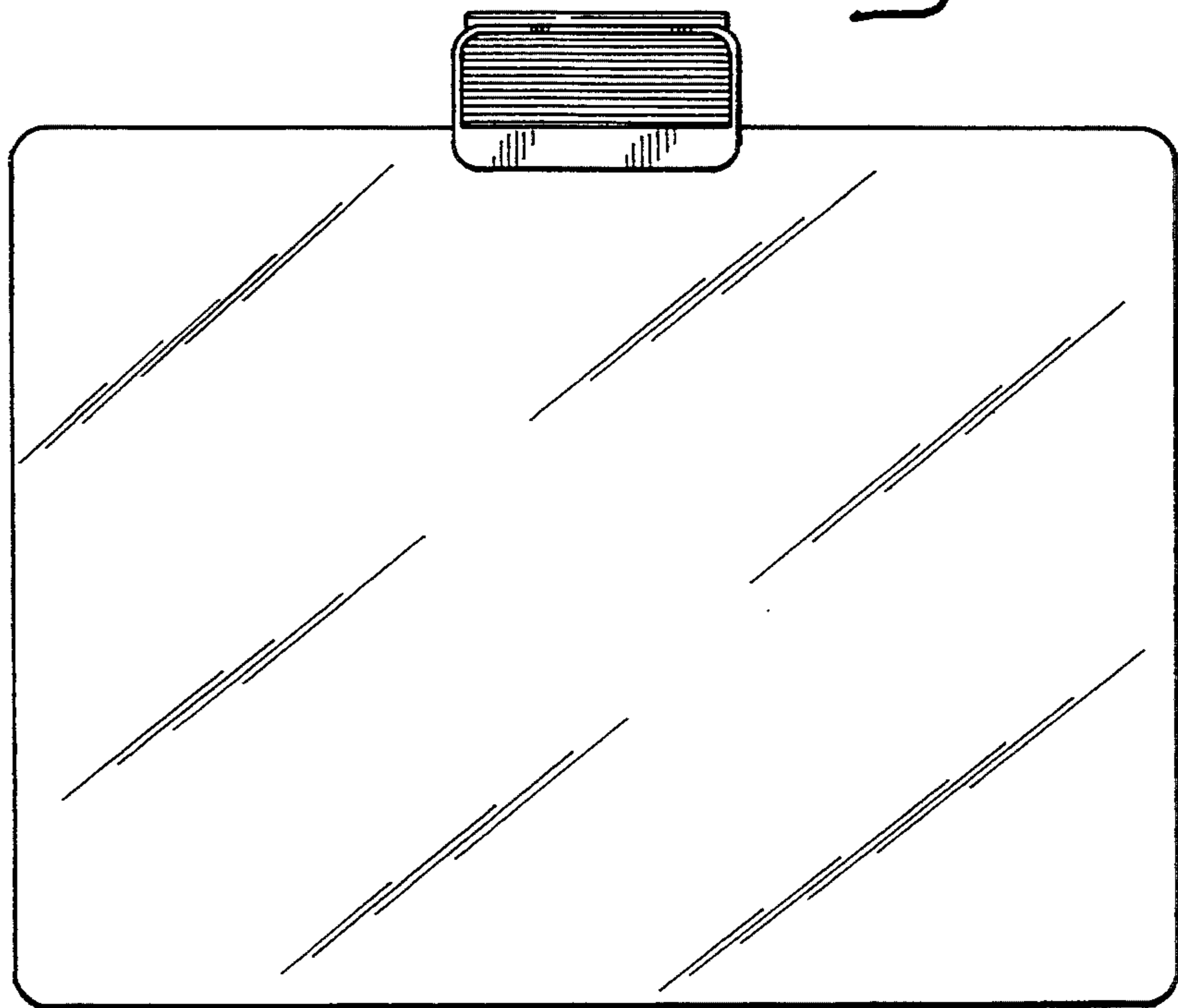
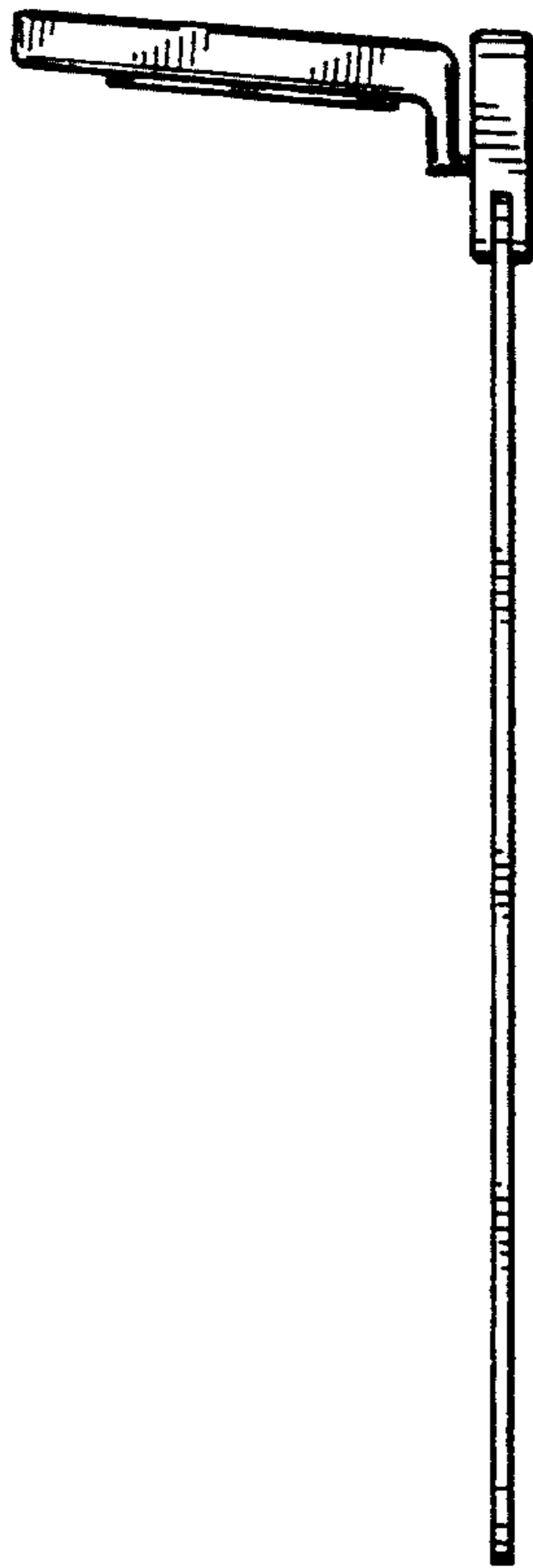
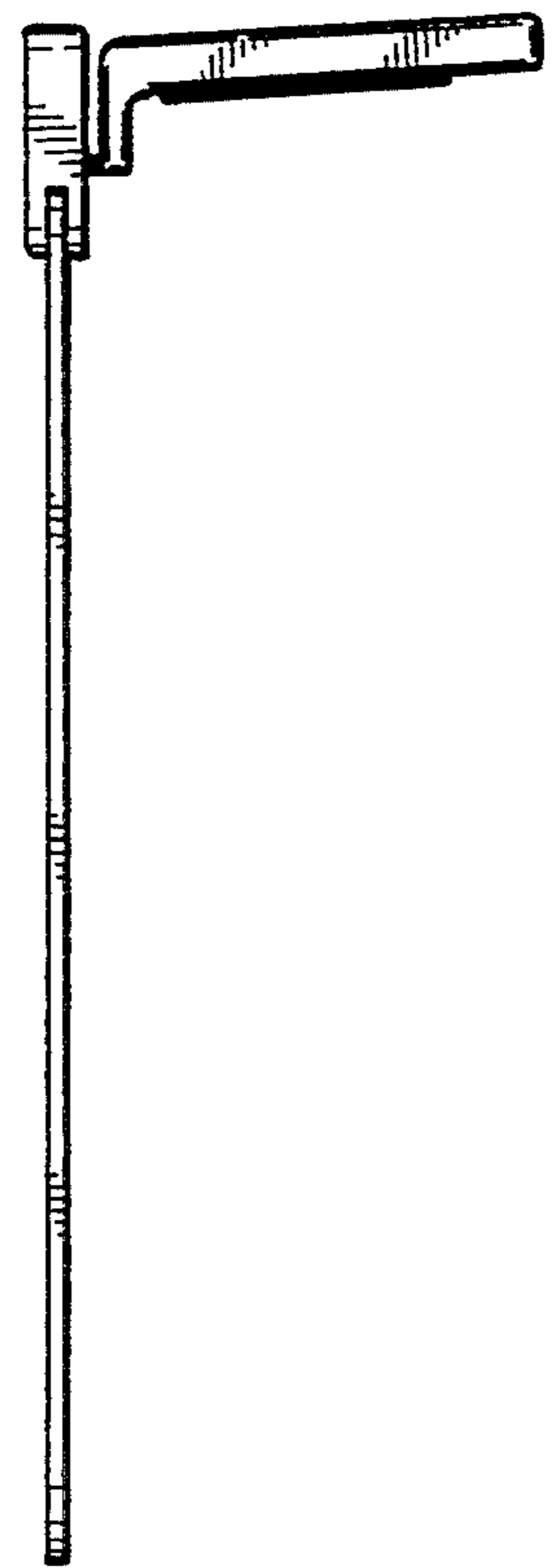


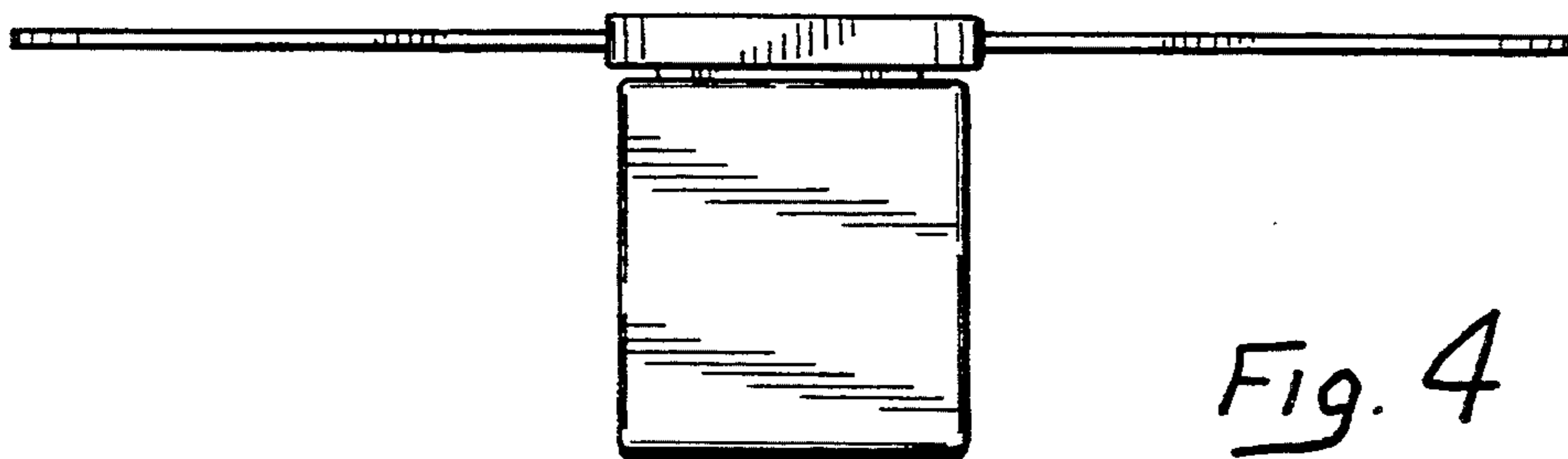
Fig. 2



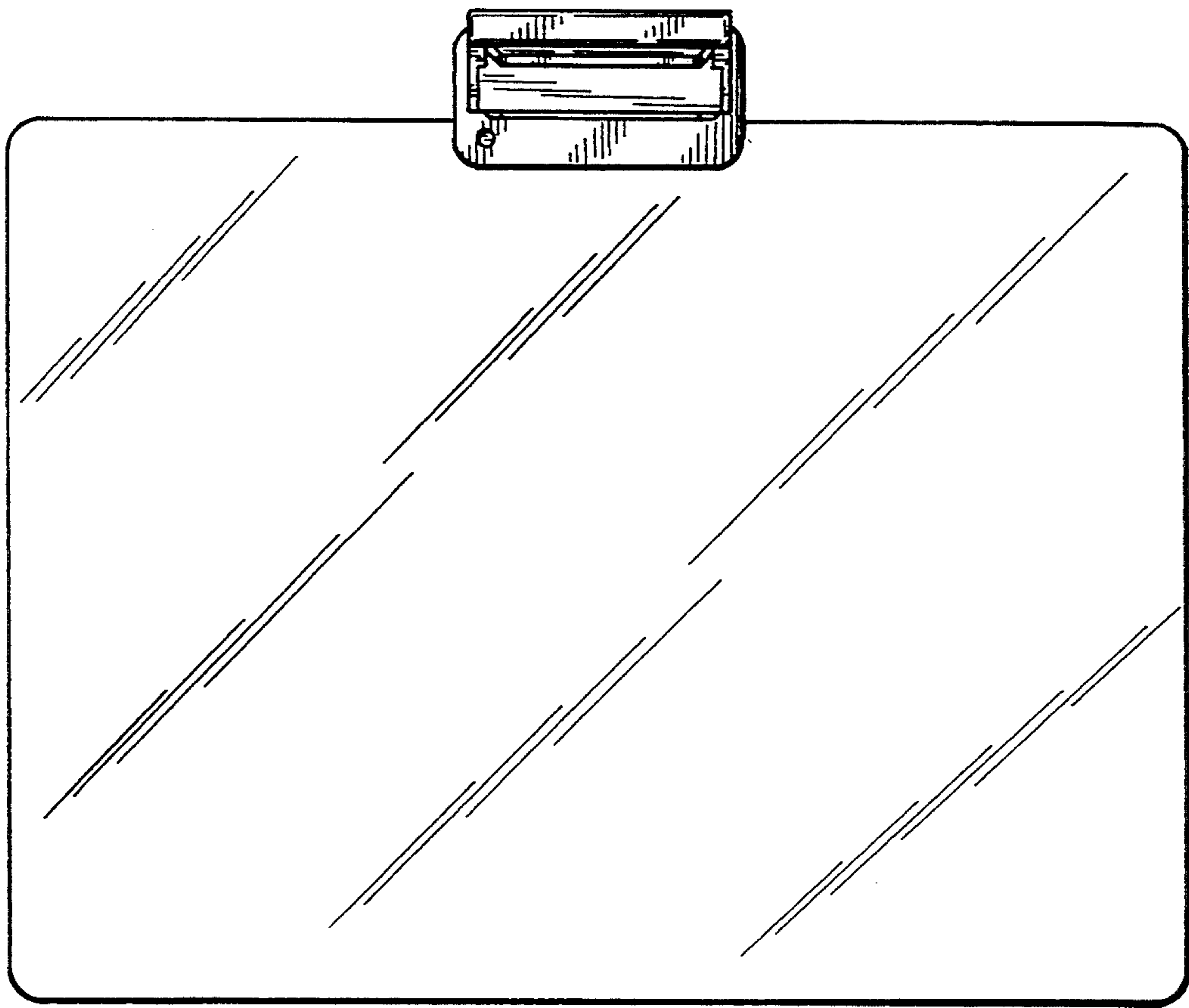
*Fig. 3*



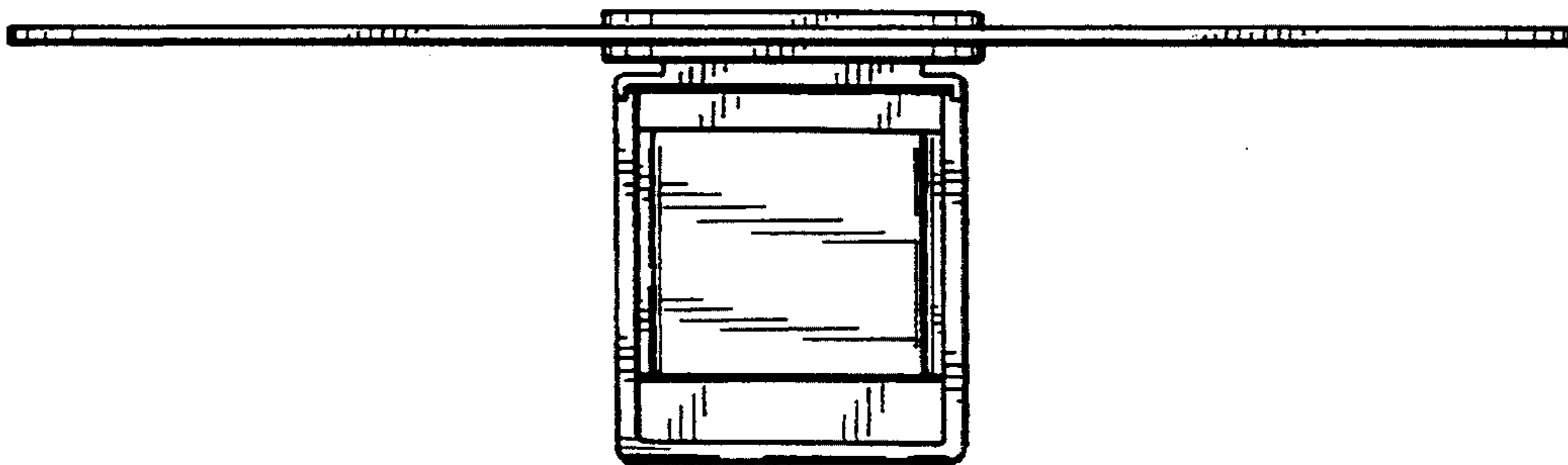
*Fig. 5*



*Fig. 4*



*Fig. 6*



*Fig. 7*