



US00D361992S

United States Patent [19]

[11] Patent Number: **Des. 361,992**

Evenson et al.

[45] Date of Patent: **** Sep. 5, 1995**

[54] **WRIST REST**

[75] Inventors: **Mel Evenson**, Rancho Palos Verdes;
Jerry L. Sharber, Cypress, both of Calif.

[73] Assignee: **Rubbermaid Office Products Inc.**,
Maryville, Tenn.

[**] Term: **14 Years**

[21] Appl. No.: **30,979**

[22] Filed: **Nov. 14, 1994**

[52] U.S. Cl. **D14/114**

[58] Field of Search **D14/100, 114; D18/12;**
248/118, 118.1, 118.3, 118.5, 346, 489, 917-924;
400/689-693, 715; **D6/601; D5/448, 623**

[56] **References Cited**

U.S. PATENT DOCUMENTS

D. 335,876	5/1993	Anello, Jr. et al.	D14/114
D. 342,242	12/1993	Hassel et al.	D14/114
D. 347,216	5/1994	Cicccone	D14/114
D. 348,659	7/1994	Miller	D14/114
D. 352,933	11/1994	Vaule	D14/114
D. 357,009	4/1995	Rossman et al.	D14/114
4,481,556	11/1984	Berke et al.	361/222
4,482,063	11/1984	Berke et al.	211/69.1
4,482,064	11/1984	Berke et al.	211/69.1
4,688,862	8/1987	Fowler et al.	312/325
5,074,501	12/1991	Holta	248/118.3
5,125,606	6/1992	Cassano et al.	D14/114 X

OTHER PUBLICATIONS

P. 129, Wrist rests; Office Depot, address unknown. Publication date Winter, 1993.

Catalog page, Wrist rests; Inmac Corporation, 2465 Augustine Drive, P.O. Box 58031, Santa Clara, California, 95052-8031. Publication date 1993.

Pp. 6 and 7, Wrist rests; Curtis Manufacturing Company, 30 Fitzgerald Drive, Jaffrey, New Hampshire, 03542-1931. Publication date Jan., 1993.

Catalog page, Wrist rests; Fast Channel Co., Ltd., P.O. Box 57-67, 10th-3 Fl., 190, Keelung Road, Sec. 2, Taipei, Taiwan. Published at least as early as 1991.

Catalog page, Wrist rests; Chen-Source Inc., 12-2Fl., No. 28, Hang Chou N. Rd., Taipei, Taiwan, R.O.C. Published at least as early as 1991.

P. 23, Wrist rest; MicroComputer Accessories, Inc., 9920 La Cienga Blvd., P.O. Box 17032, Inglewood, California, 90308-7032. Publication date 1992-93.

Primary Examiner—Melanie H. Tung

Attorney, Agent, or Firm—Richard B. O'Planick; Lisa B. Riedesel

[57] **CLAIM**

The ornamental design for a wrist rest, as shown and described.

DESCRIPTION

FIG. 1 is a top right front perspective view of a wrist rest showing our new design;

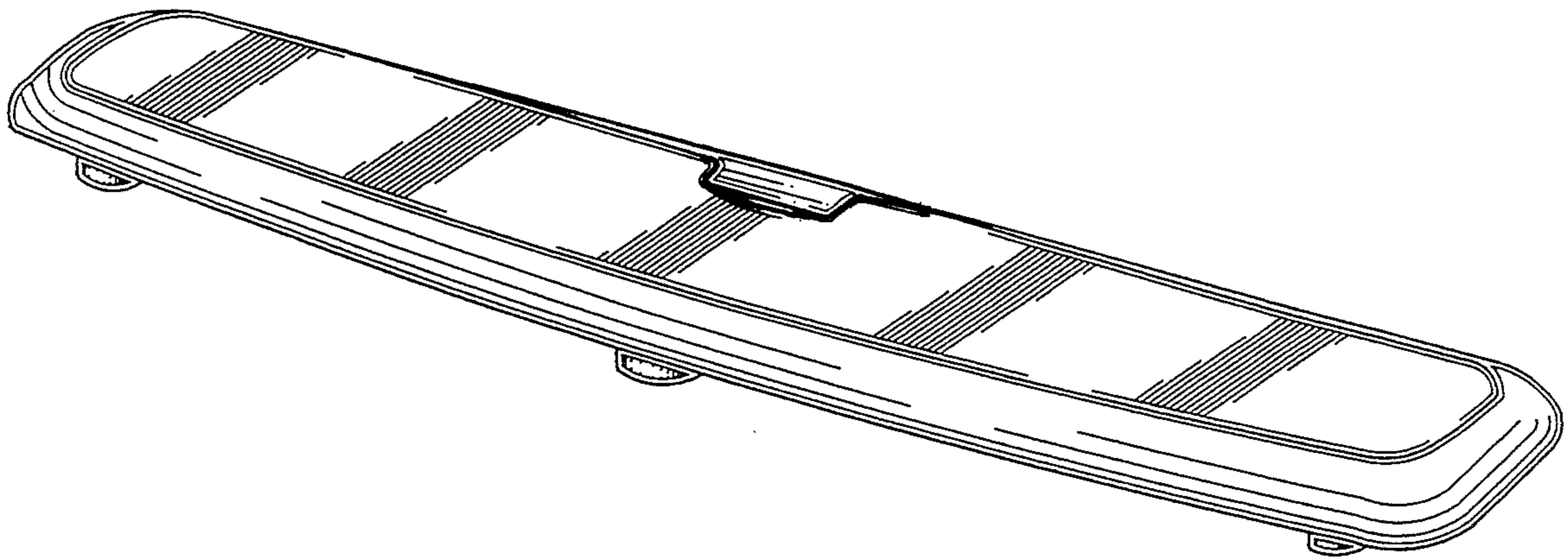
FIG. 2 is a top plan view thereof;

FIG. 3 is a bottom plan view thereof;

FIG. 4 is a rear elevational view thereof;

FIG. 5 is a left side elevational view thereof; the right side elevational view being a mirror image; and,

FIG. 6 is a front elevational view thereof.



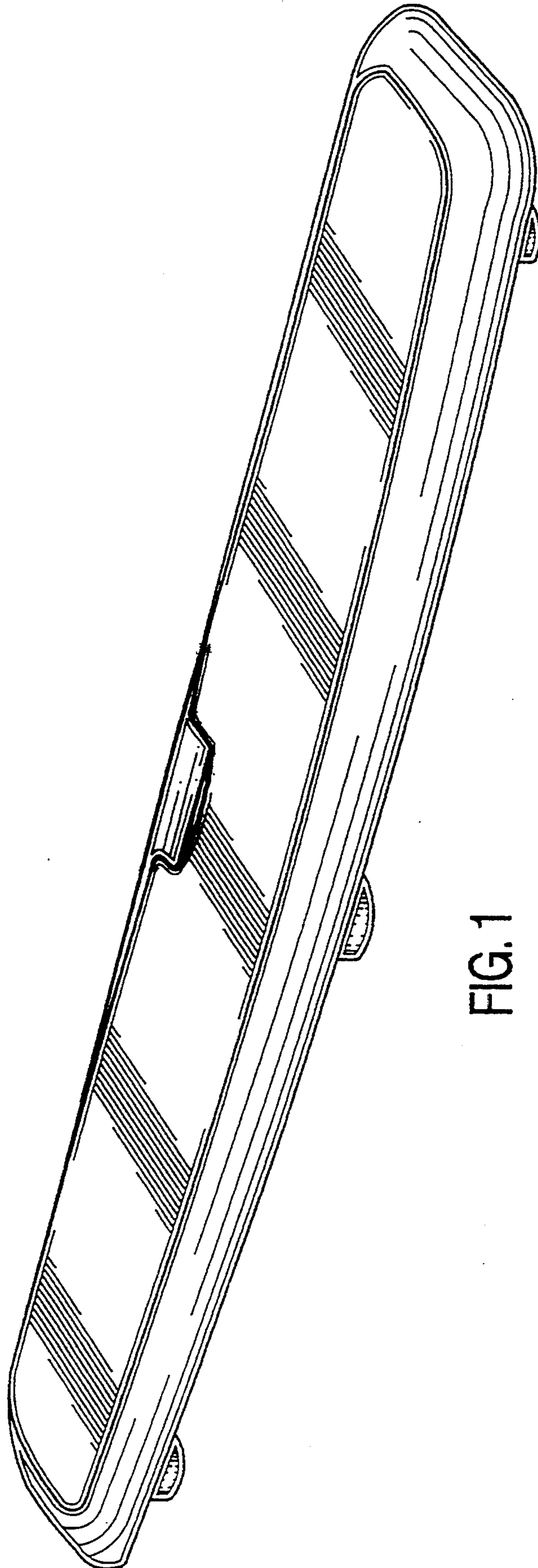


FIG. 1

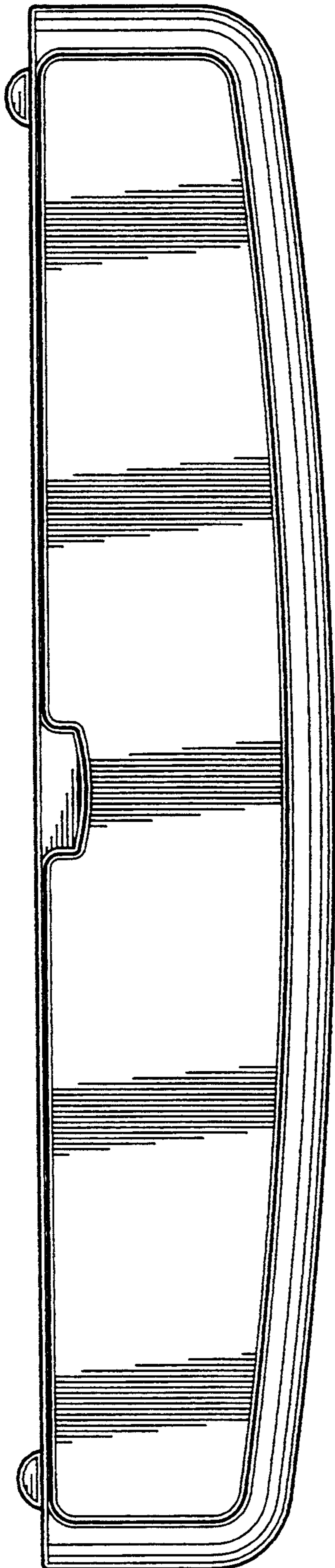


FIG. 2

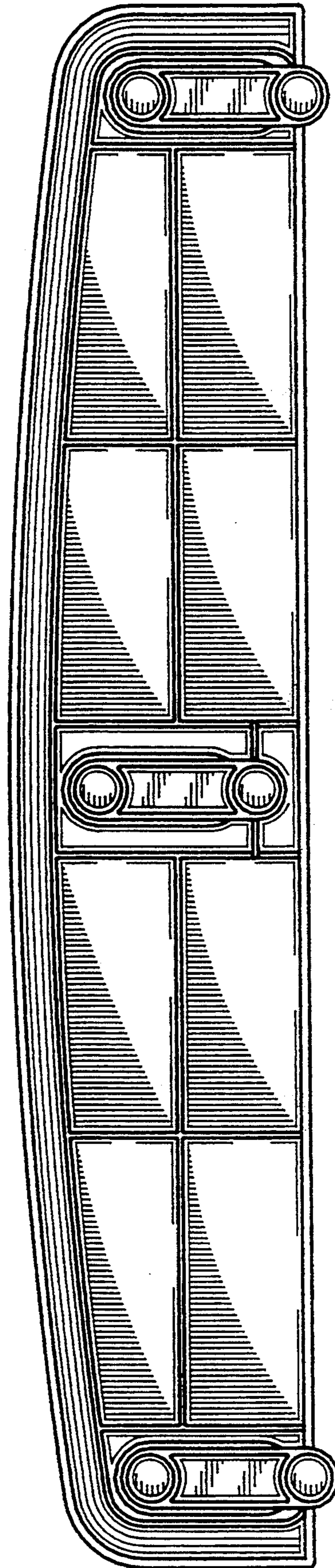


FIG. 3

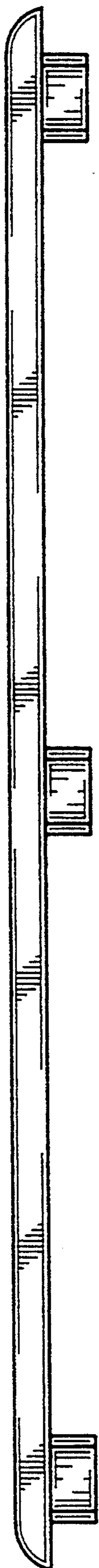


FIG. 4

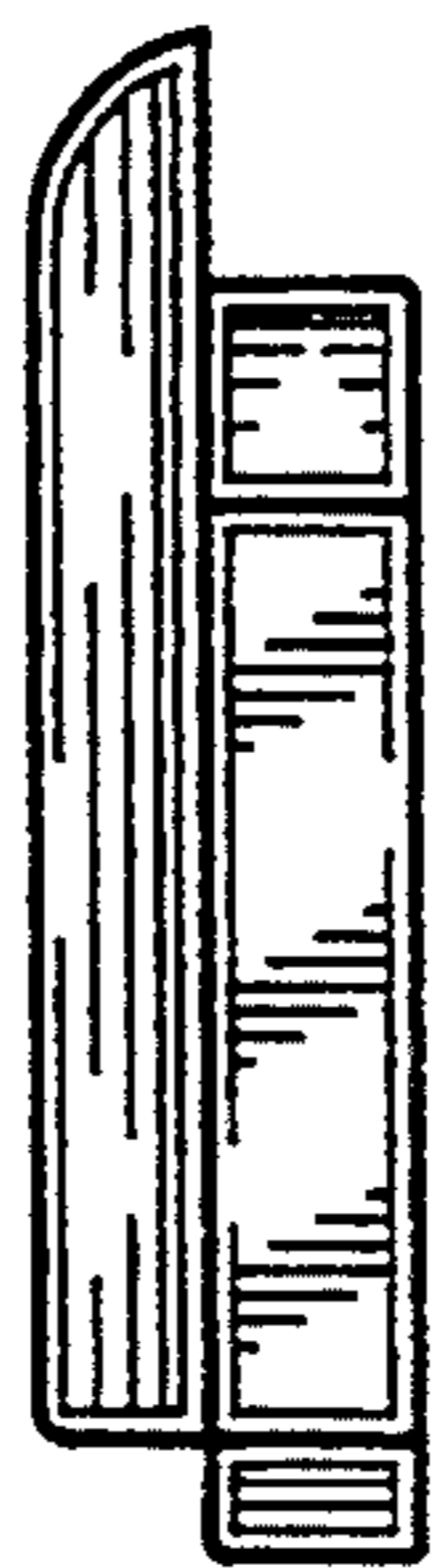


FIG. 5

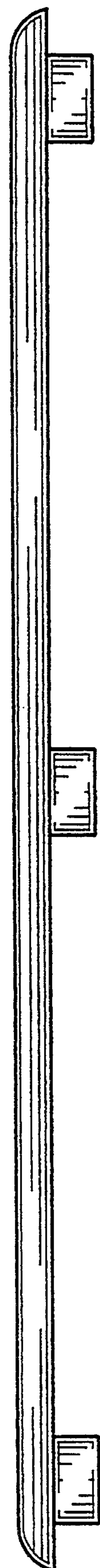


FIG. 6