



US00D361990S

# United States Patent [19]

[11] Patent Number: **Des. 361,990**

**Merino**

[45] Date of Patent: **\*\* Sep. 5, 1995**

[54] **COMPUTER STAND**

4,852,830 8/1989 Howard et al. .... 248/921 X  
4,946,127 8/1990 Kulaga ..... 248/922 X

[75] Inventor: **Tristan A. Merino, Austin, Tex.**

*Primary Examiner*—Melanie H. Tung  
*Attorney, Agent, or Firm*—Paul S. Drake

[73] Assignee: **International Business Machines Corporation, Armonk, N.Y.**

[57] **CLAIM**

[\*\*] Term: **14 Years**

The ornamental design for the computer stand, as shown and described.

[21] Appl. No.: **14,956**

**DESCRIPTION**

[22] Filed: **Nov. 5, 1993**

[52] U.S. Cl. .... **D14/114**

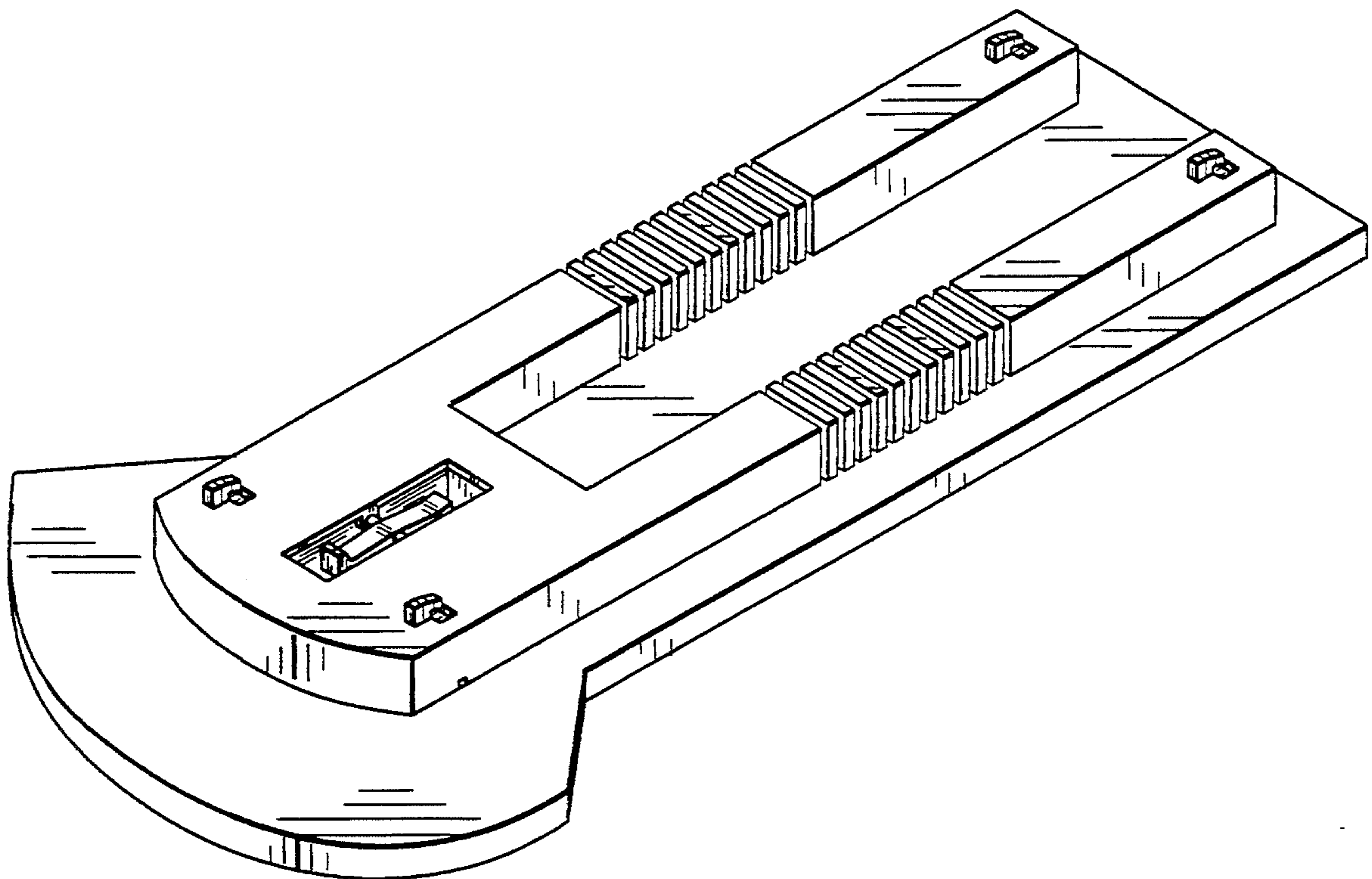
[58] Field of Search ..... D14/114, 100; D6/474, D6/429, 486, 466, 449, 495, 396, 512; 248/917-924, 346; 200/5 A, 5 R, 6 A, 6 R; 361/680-686, 679, 724-727

FIG. 1 is a top plan view thereof;  
FIG. 2 is a top, left perspective view thereof, shown partially for clarity of illustration, on an enlarged scale;  
FIG. 3 is a right side plan view thereof;  
FIG. 4 is a left side plan view thereof;  
FIG. 5 is a front plan view thereof;  
FIG. 6 is a back plan view thereof;  
FIG. 7 is a top, front, right side perspective view thereof; and,  
FIG. 8 is a top plan view thereof, shown partially for clarity of illustration, on an enlarged scale.  
The undisclosed bottom view is smooth, plain, and unornamented.

[56] **References Cited**

**U.S. PATENT DOCUMENTS**

D. 290,612	6/1987	Choate et al. ....	D14/114
D. 305,330	1/1990	Walters, II .....	D14/114
D. 330,021	10/1992	Kline et al. ....	D14/114
D. 334,921	4/1993	Basara et al. ....	D14/114
D. 338,882	8/1993	Reiter .....	D14/114



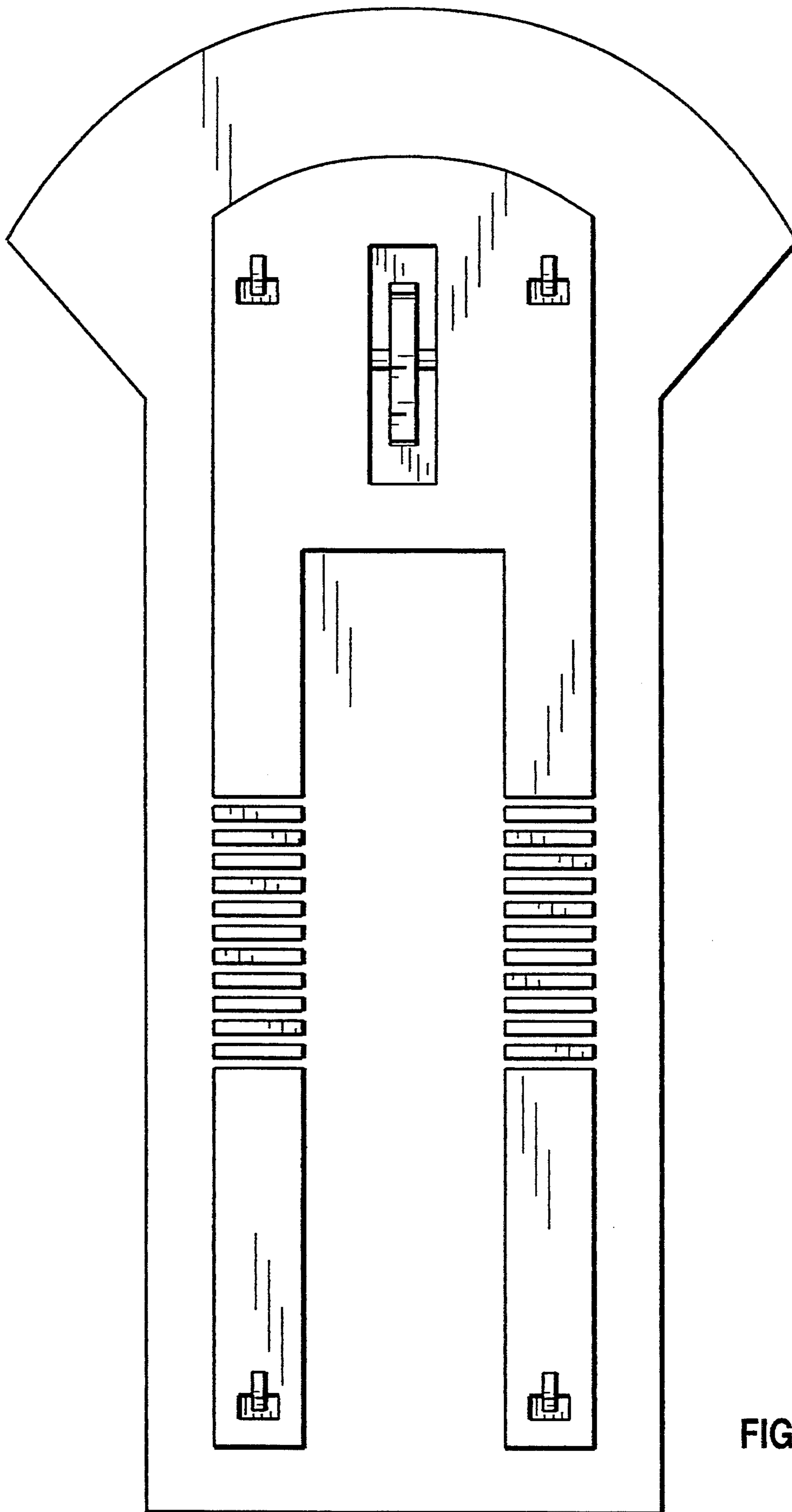


FIG. 1

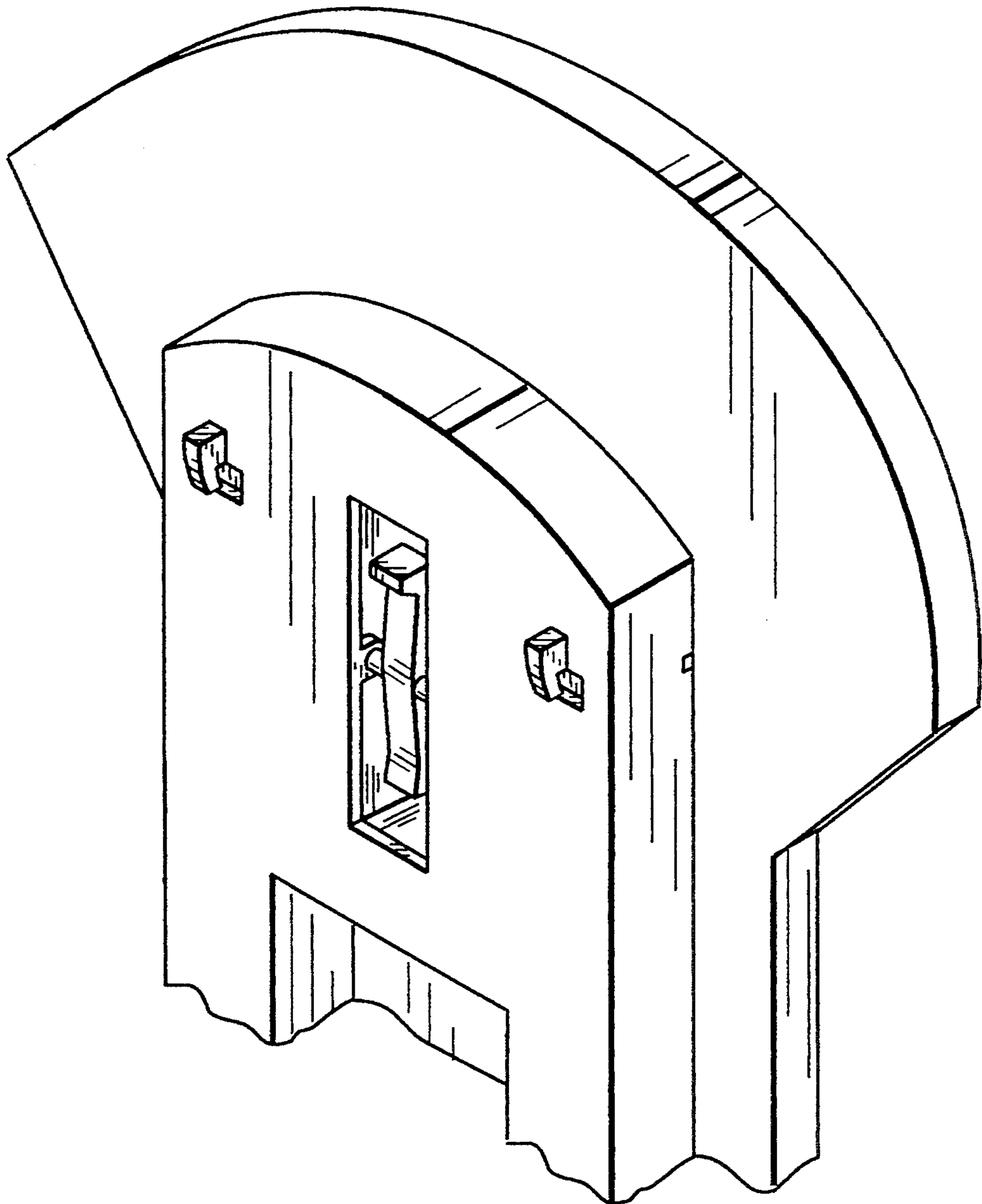


FIG. 2

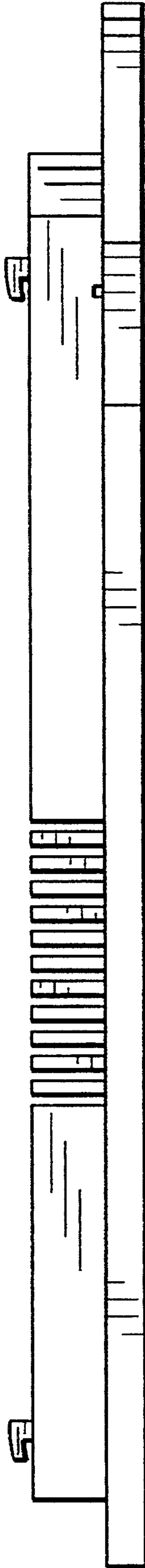


FIG. 3

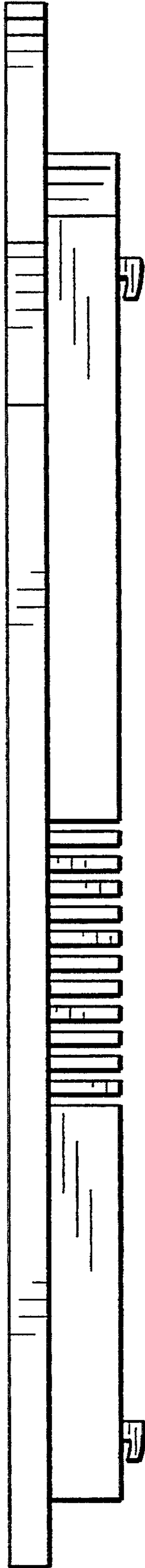


FIG. 4

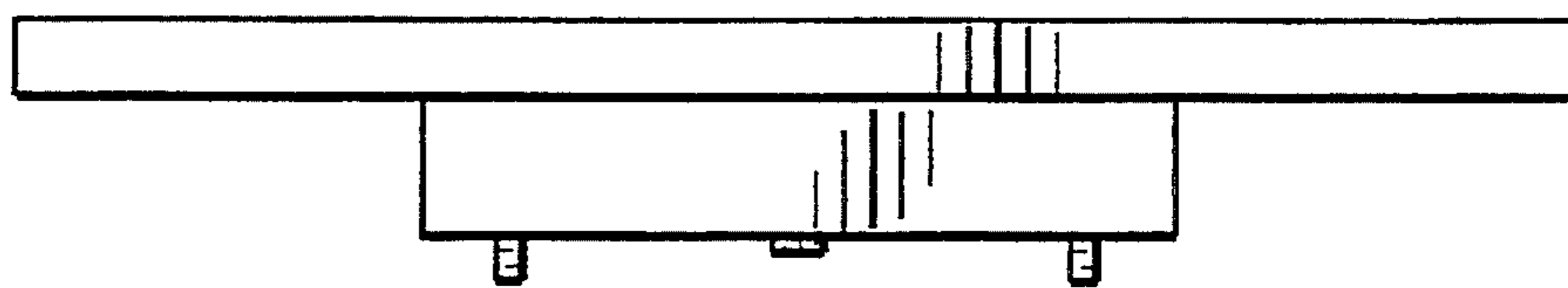


FIG. 5

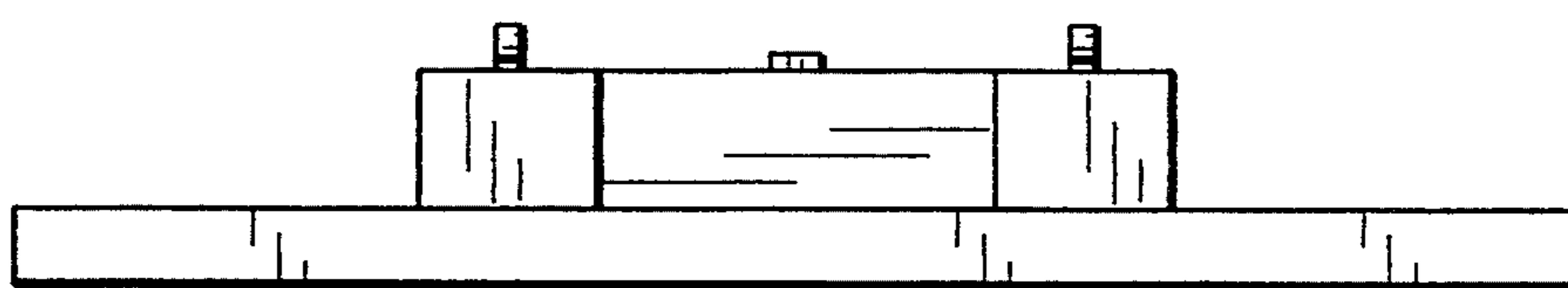


FIG. 6

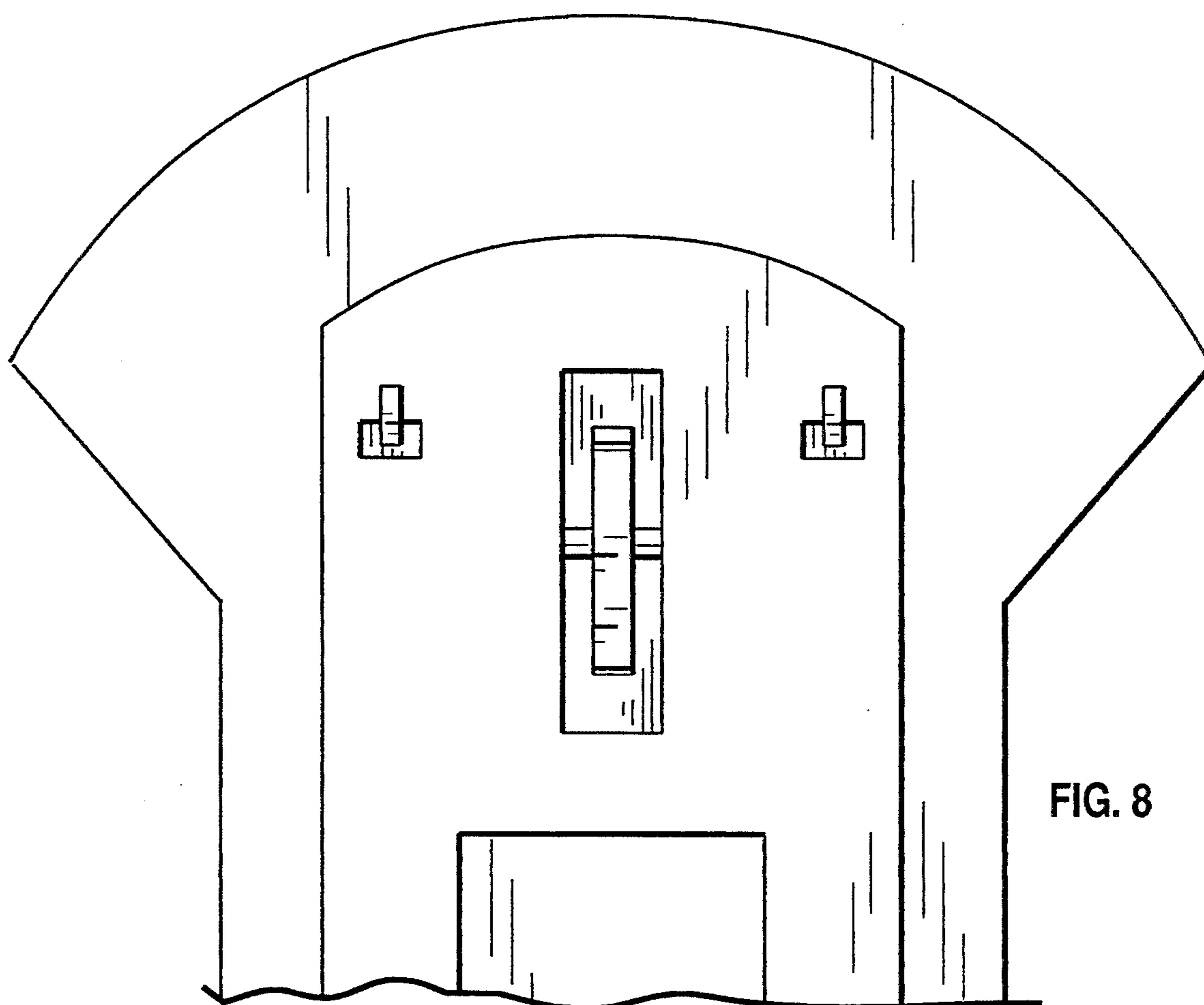


FIG. 8

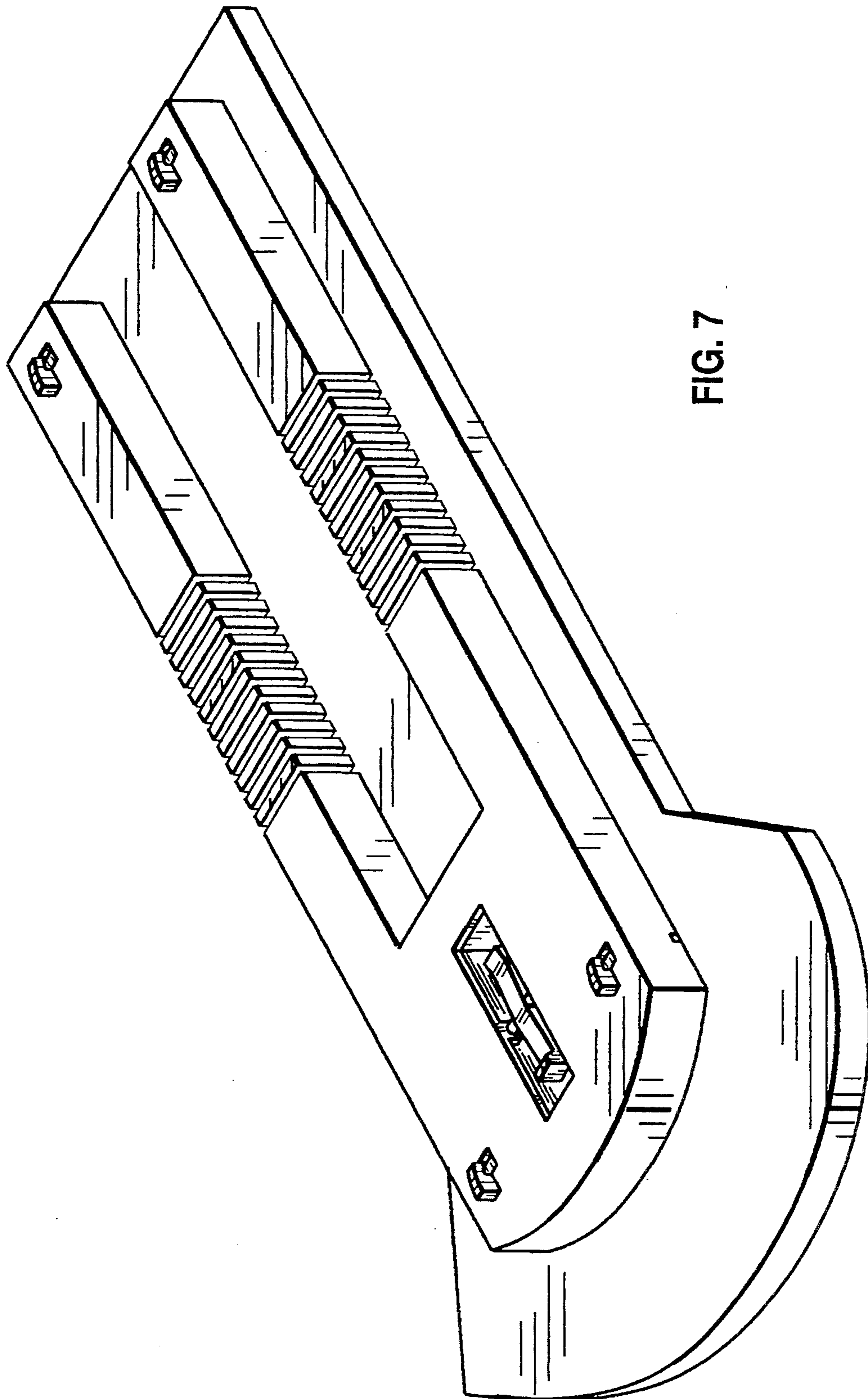


FIG. 7