



US00D361988S

# United States Patent [19] Grant

[11] Patent Number: **Des. 361,988**  
[45] Date of Patent: **\*\* Sep. 5, 1995**

- [54] **COMBINED KEYBOARD ALIGNMENT DEVICE AND PALM REST**
- [76] Inventor: **Alan H. Grant**, 3208 Woodhollow Dr., Chevy Chase, Md. 20815
- [\*\*] Term: **14 Years**
- [21] Appl. No.: **6,602**
- [22] Filed: **Apr. 2, 1993**
- [52] U.S. Cl. .... **D14/114**
- [58] Field of Search ..... **D14/100, 114; D18/12; 248/118, 118.3, 346, 489, 917-924; 400/689-693, 715**

### [56] References Cited U.S. PATENT DOCUMENTS

|            |         |                    |             |
|------------|---------|--------------------|-------------|
| D. 346,816 | 5/1994  | Kline et al. ....  | 248/918 X   |
| D. 347,216 | 5/1994  | Ciccone .....      | D14/114     |
| 4,545,554  | 10/1985 | Latino et al. .... | 248/118.3 X |
| 4,635,893  | 1/1987  | Nelson .           |             |
| 5,163,646  | 11/1992 | Engelhardt .....   | 248/118     |
| 5,183,230  | 2/1993  | Walker et al. .... | 248/118     |
| 5,244,296  | 9/1993  | Jensen .....       | D14/114 X   |
| 5,326,056  | 7/1994  | Smith .....        | 248/118     |

*Primary Examiner*—Melanie H. Tung  
*Assistant Examiner*—M. H. Tung  
*Attorney, Agent, or Firm*—Jacobson, Price, Holman & Stern

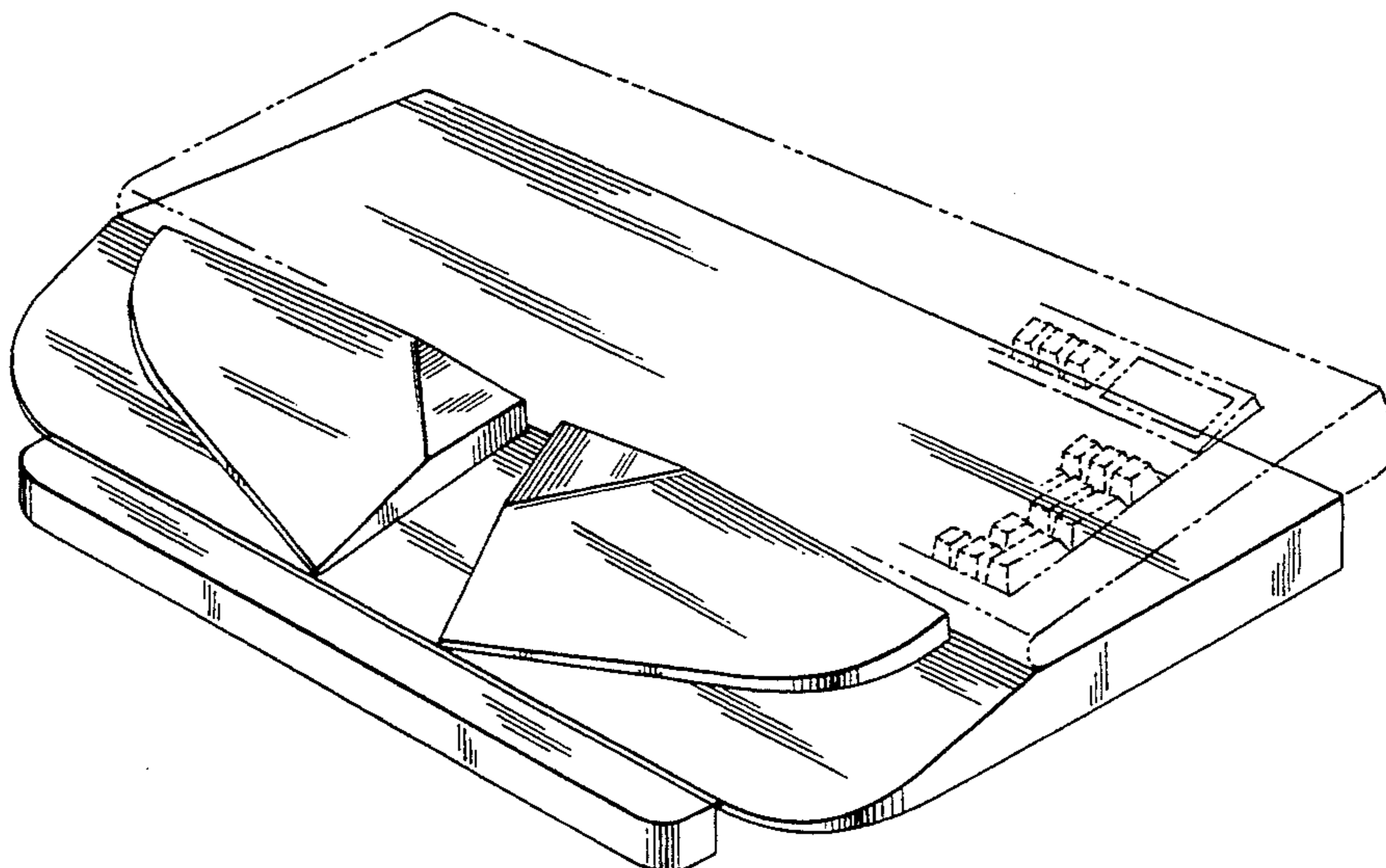
### [57] CLAIM

The ornamental design for a combined keyboard alignment device and palm rest, as shown and described.

### DESCRIPTION

FIG. 1 is a right, front perspective view of a combined keyboard alignment device and palm rest showing my new design, the broken line drawing of a computer keyboard is shown for illustrative purposes only and forms no part of the claimed design;  
 FIG. 2 is a top view thereof;  
 FIG. 3 is a bottom view thereof;  
 FIG. 4 is a front view thereof;

FIG. 5 is a rear view thereof;  
 FIG. 6 is a right side view thereof, the left side is a mirror image, the broken line drawing of a computer keyboard and work surface are shown for illustrative purposes only and form no part of the claimed design;  
 FIG. 7 is a right side view thereof, the elevating portion folded underneath and positioned on a work surface, the broken line drawing of a work surface is shown for illustrative purposes only and forms no part of the claimed design;  
 FIG. 8 is a right side view of a second embodiment thereof, the left side is a mirror image;  
 FIG. 9 is a right side view thereof, the left side is a mirror image, the elevating portion folded underneath and positioned on a work surface, the broken line drawing of a work surface is shown for illustrative purposes only and forms no part of the claimed design;  
 FIG. 10 is a left, front perspective view thereof;  
 FIG. 11 is a right side view of a third embodiment thereof, the left side is a mirror image;  
 FIG. 12 is a right side view thereof, the left side is a mirror image, the elevating portion is in an alternate position, the broken line drawing of a work surface is shown for illustrative purposes only and forms no part of the claimed design;  
 FIG. 13 is a right side view thereof, the left side is a mirror image, the elevating portion is in an alternate position, the broken line drawing of a work surface is shown for illustrative purposes only and forms no part of the claimed design;  
 FIG. 14 is a right side view thereof, the left side is a mirror image, the elevating portion is in an alternate position, the broken line drawing of a work surface is shown for illustrative purposes only and forms no part of the claimed invention;  
 FIG. 15 is a left, front perspective view thereof;  
 FIG. 16 is a bottom view of FIG. 9; and,  
 FIG. 17 is a bottom view of FIG. 11.  
 The rear views of the second and third embodiments are identical to the FIG. 5 view except that the lower elevating portion of the first embodiment would not be shown.



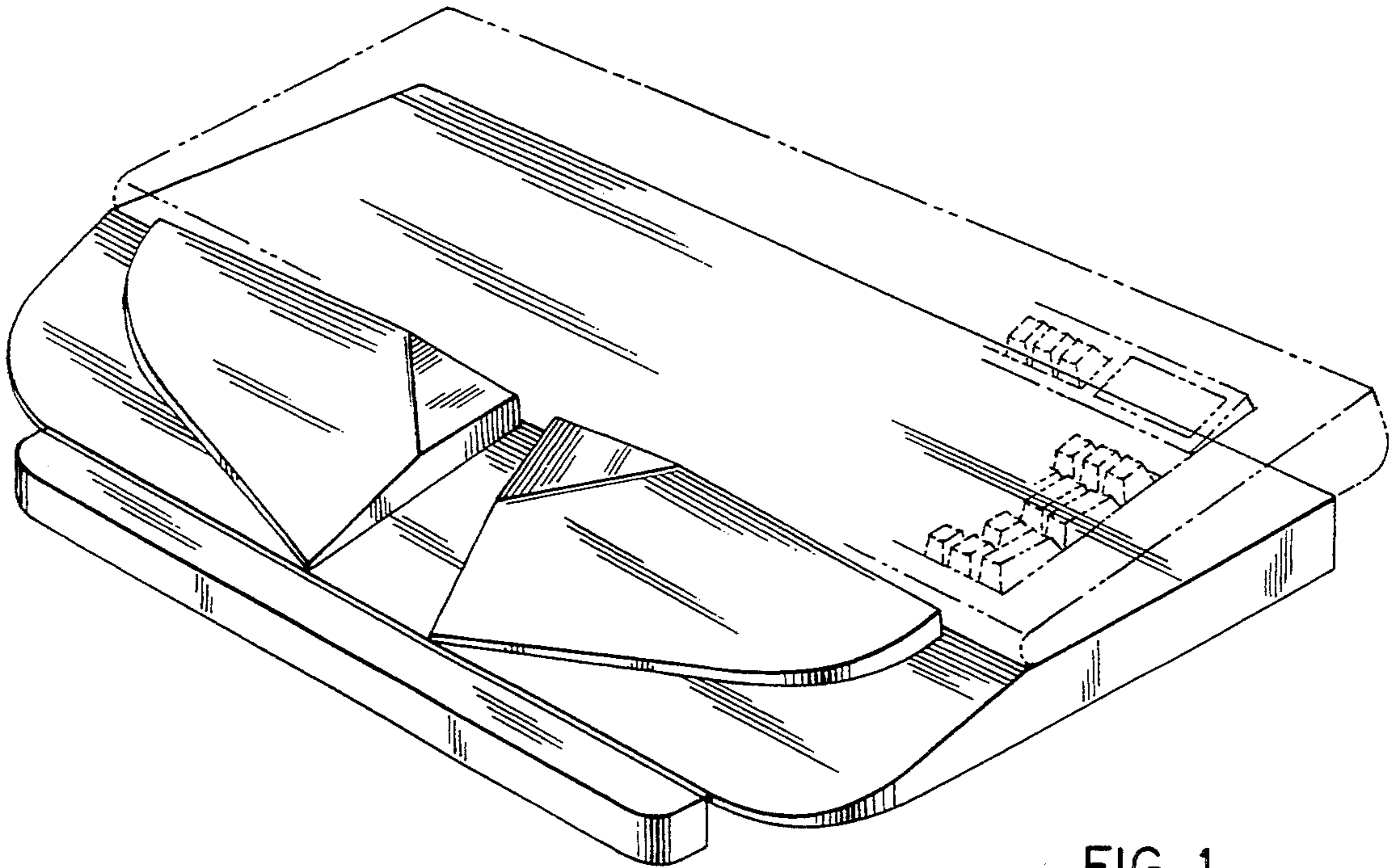


FIG. 1

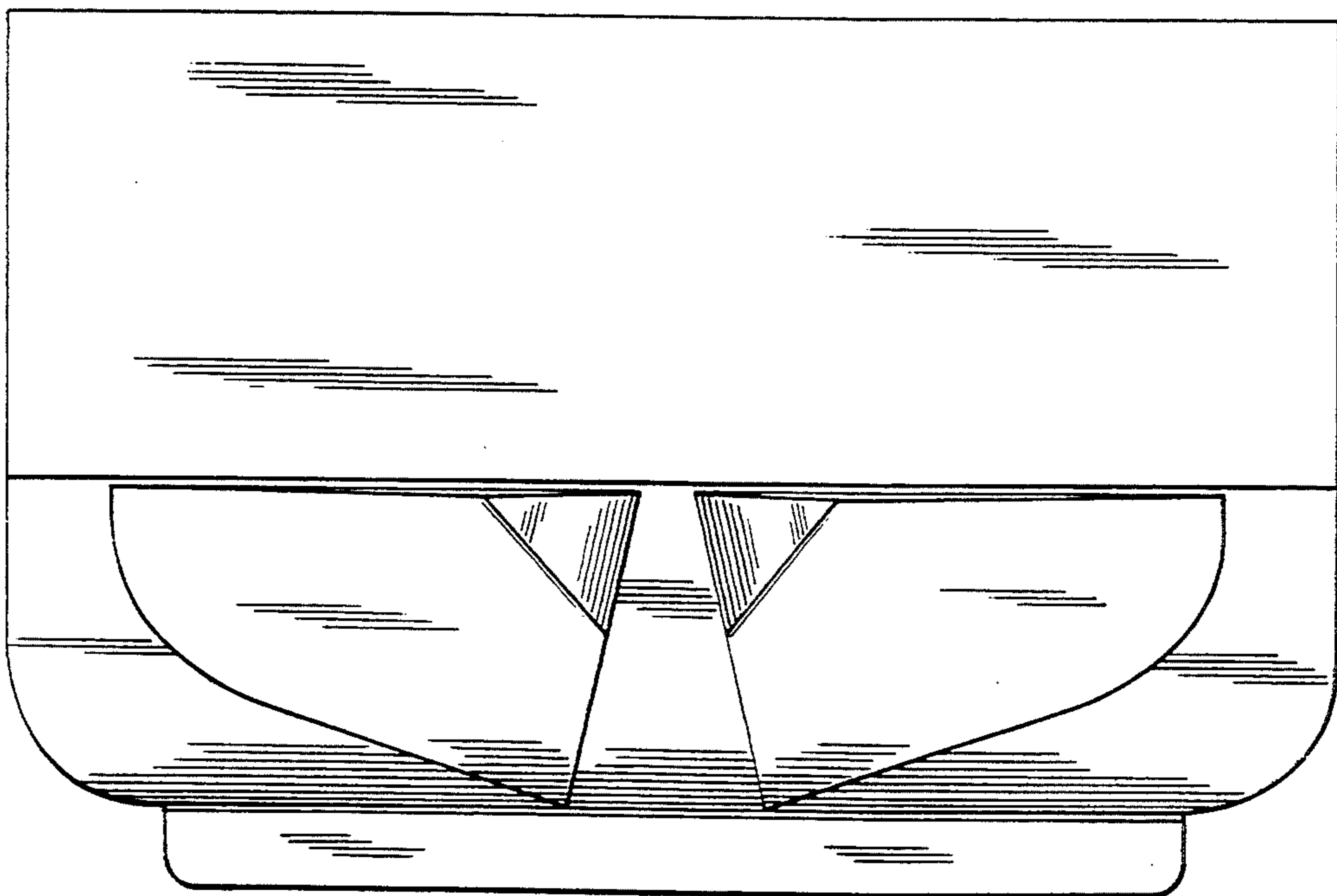


FIG. 2



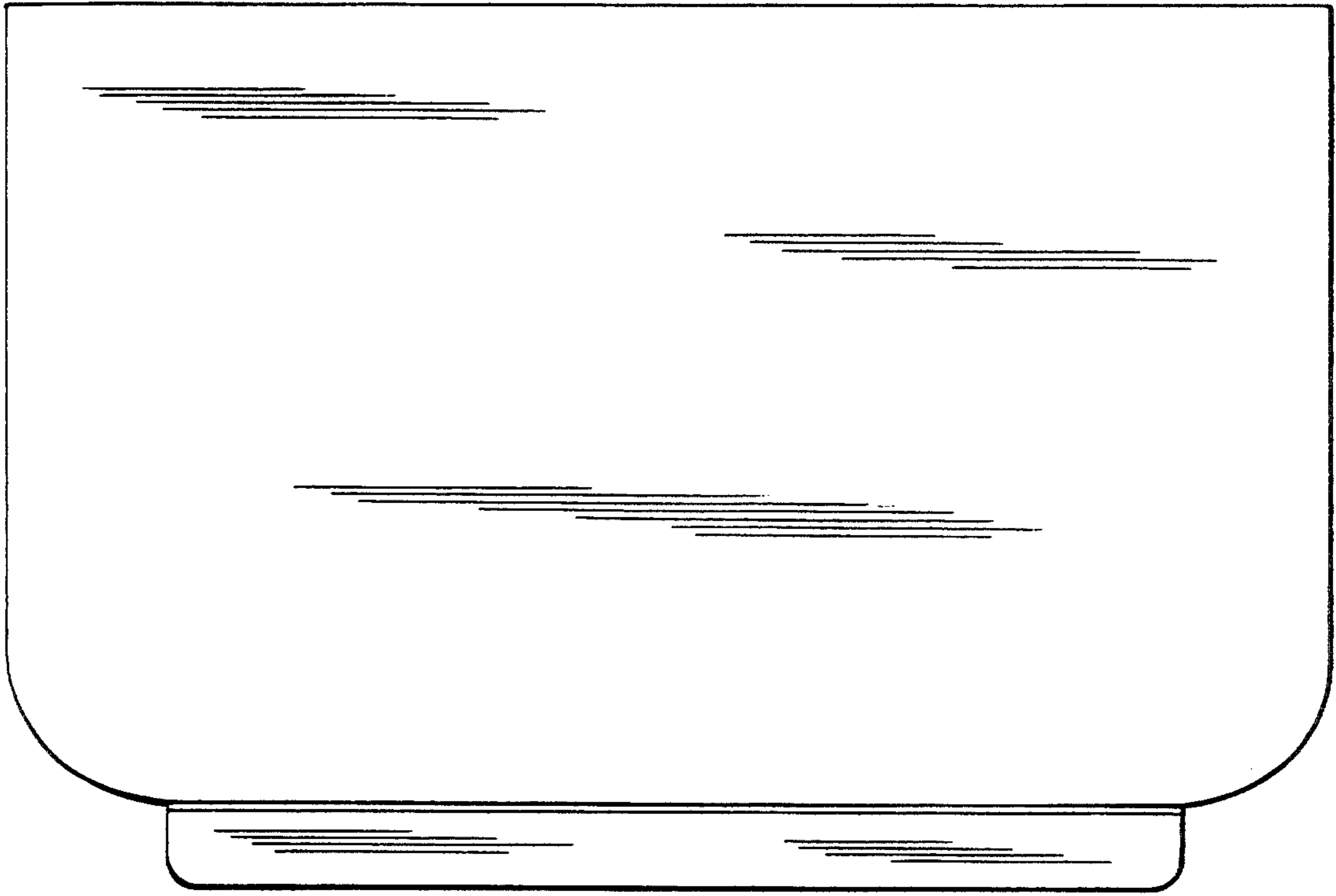


FIG. 3

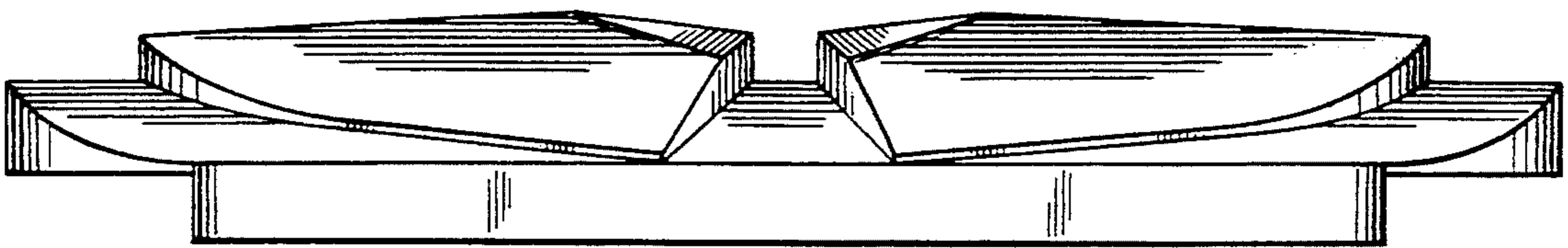


FIG. 4

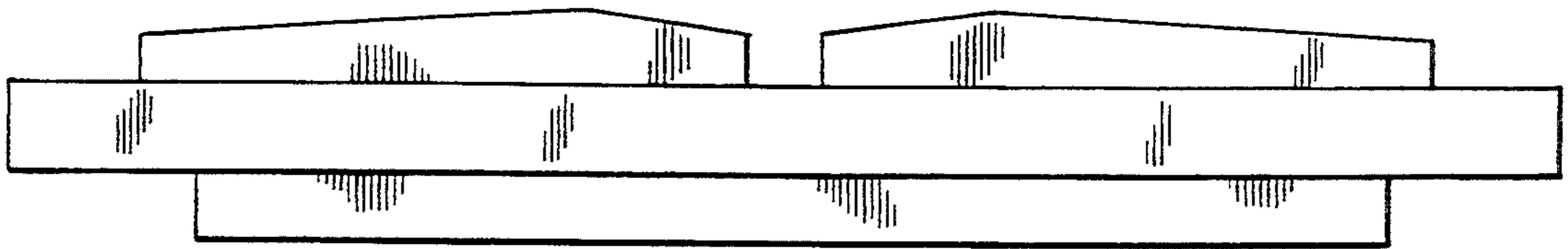


FIG. 5

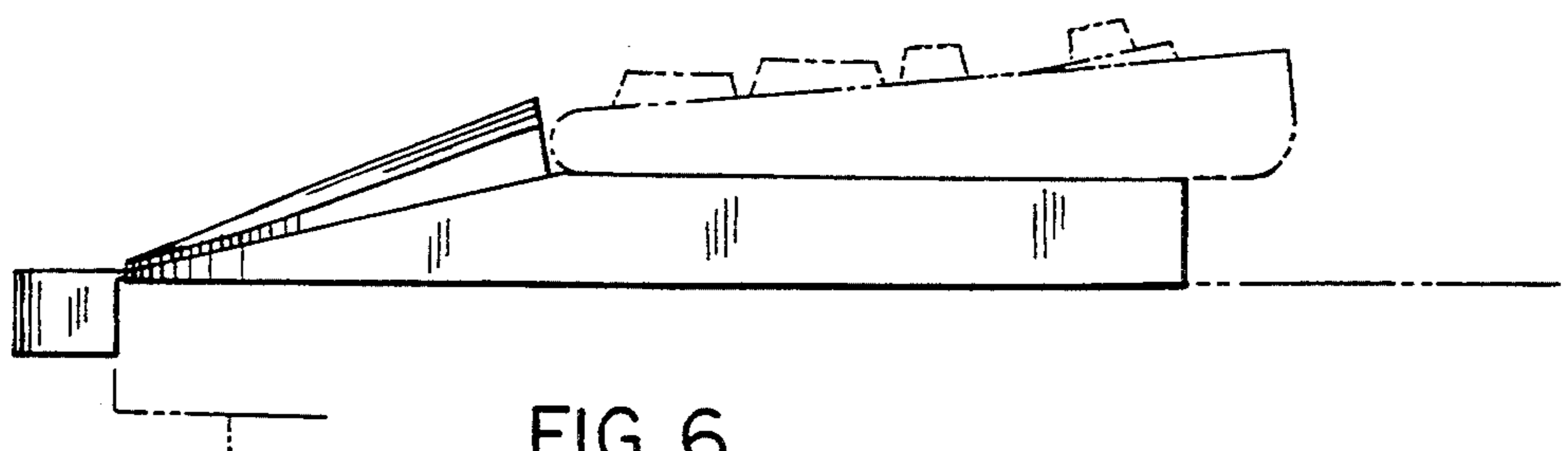


FIG. 6

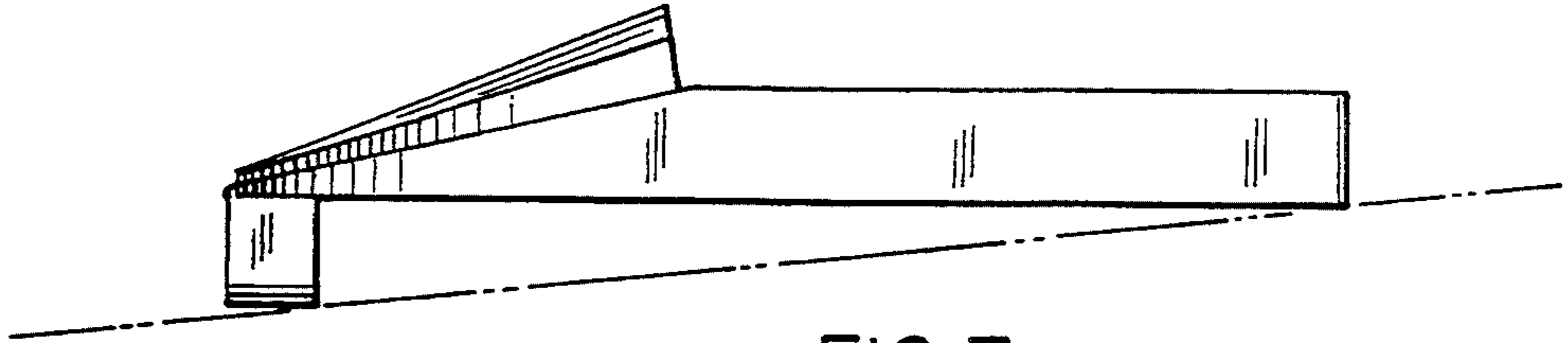


FIG. 7

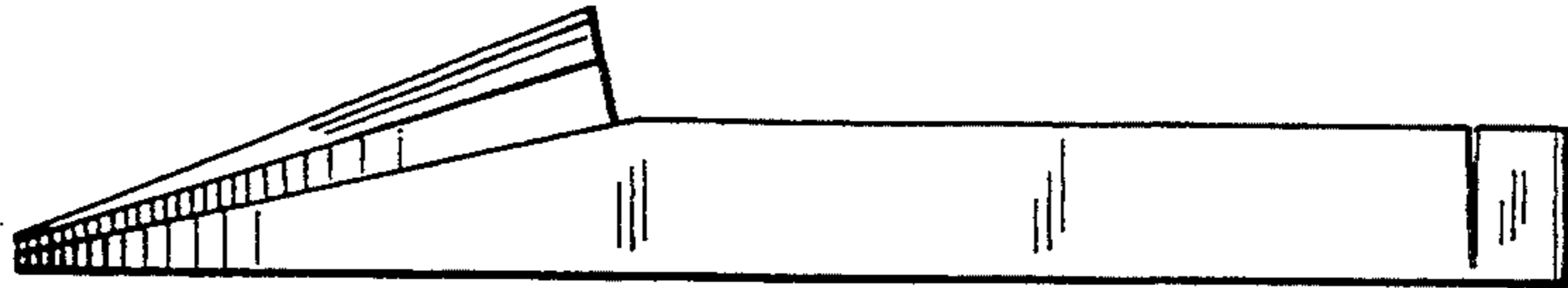


FIG. 8

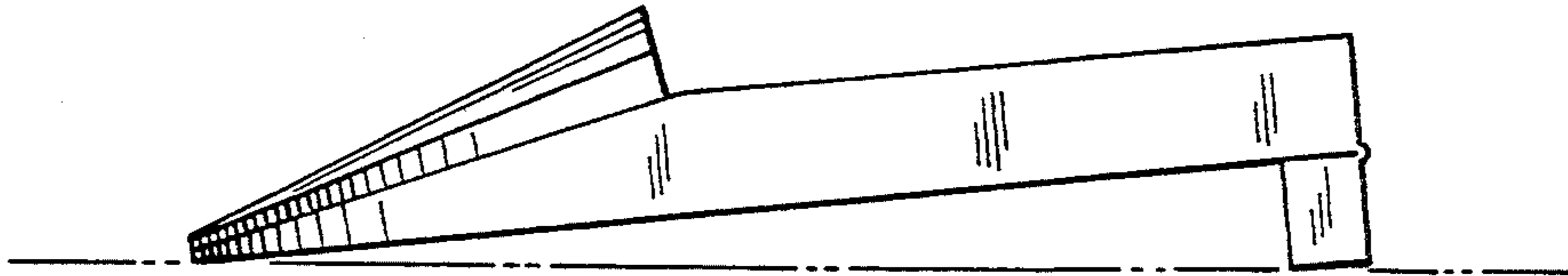


FIG. 9

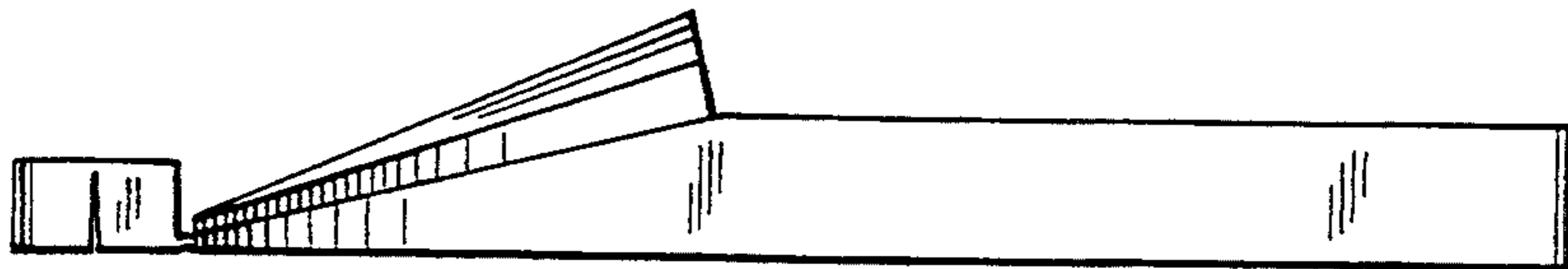


FIG. 11

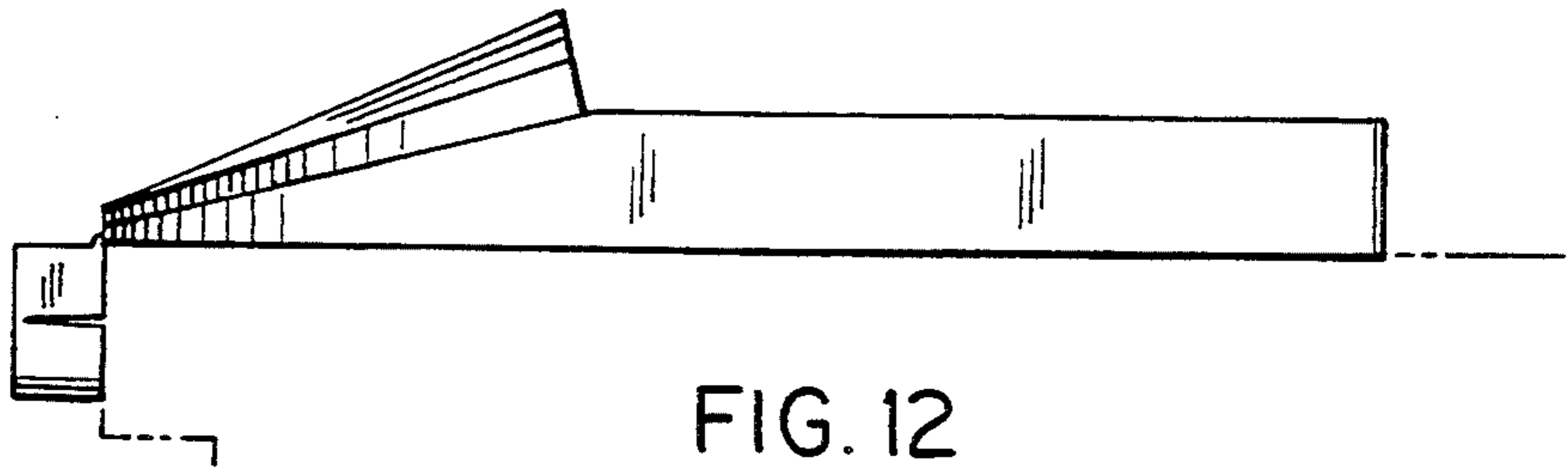


FIG. 12

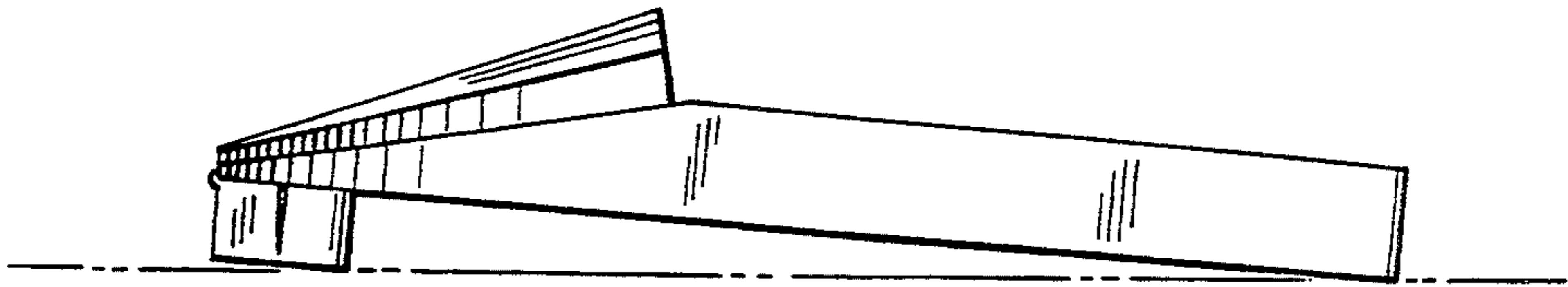
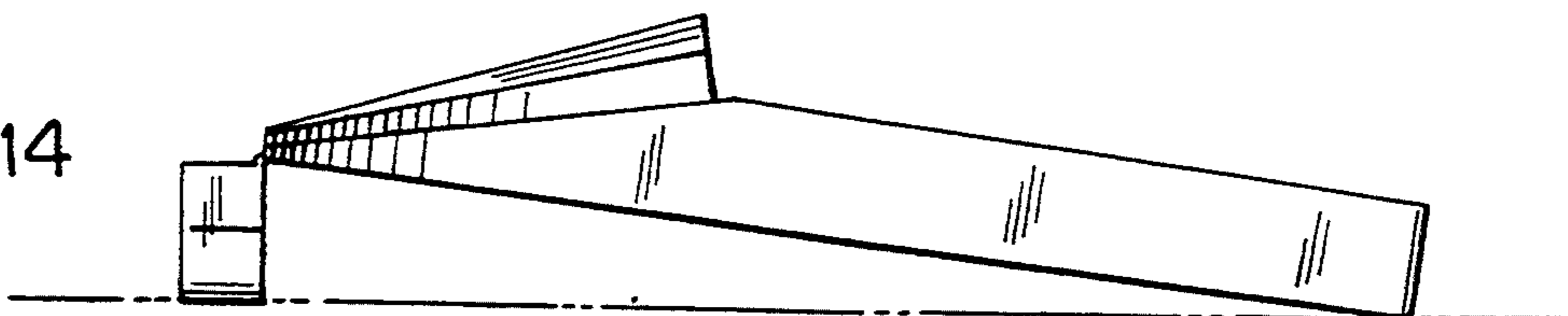


FIG. 13

FIG. 14



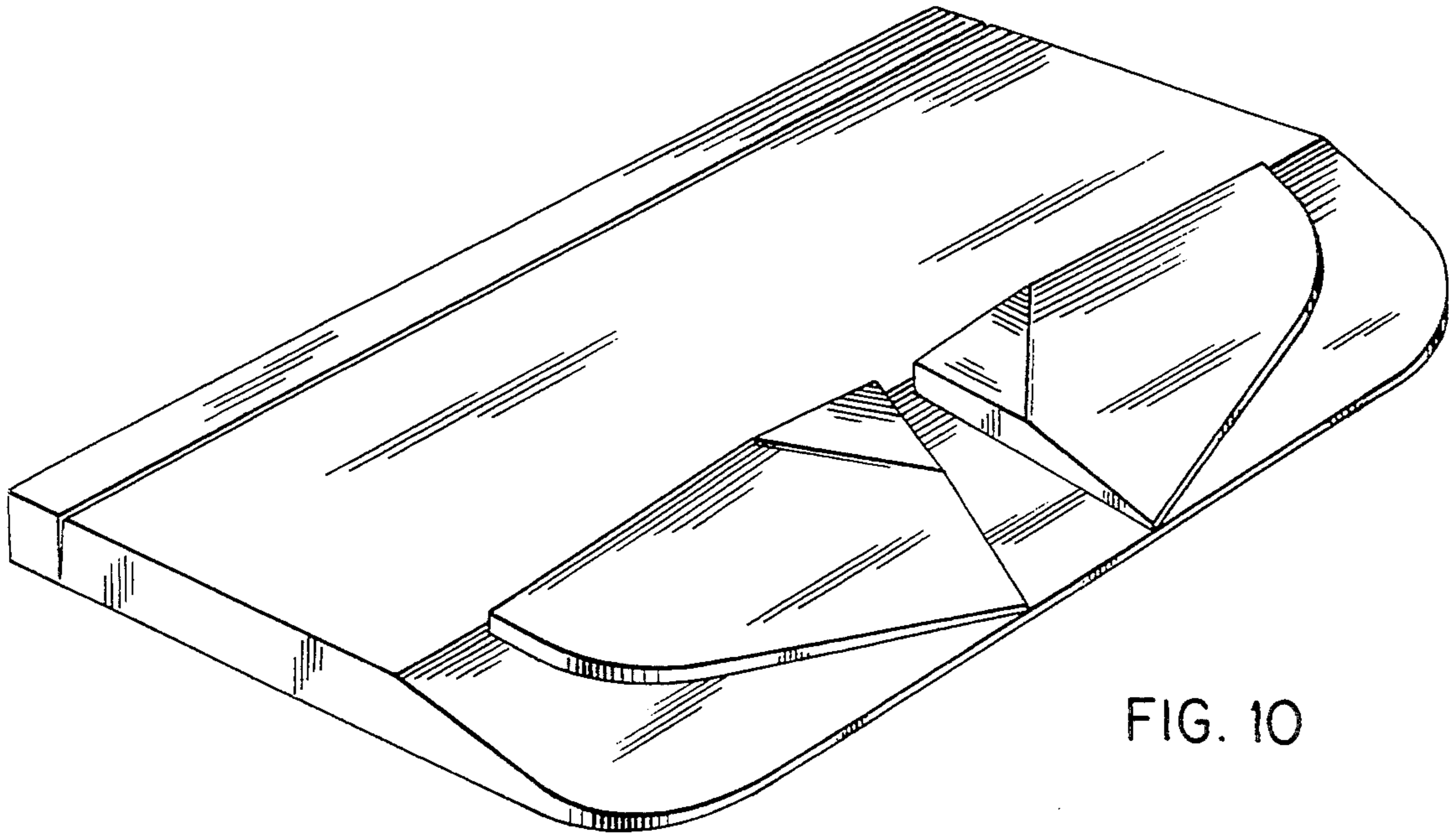


FIG. 10

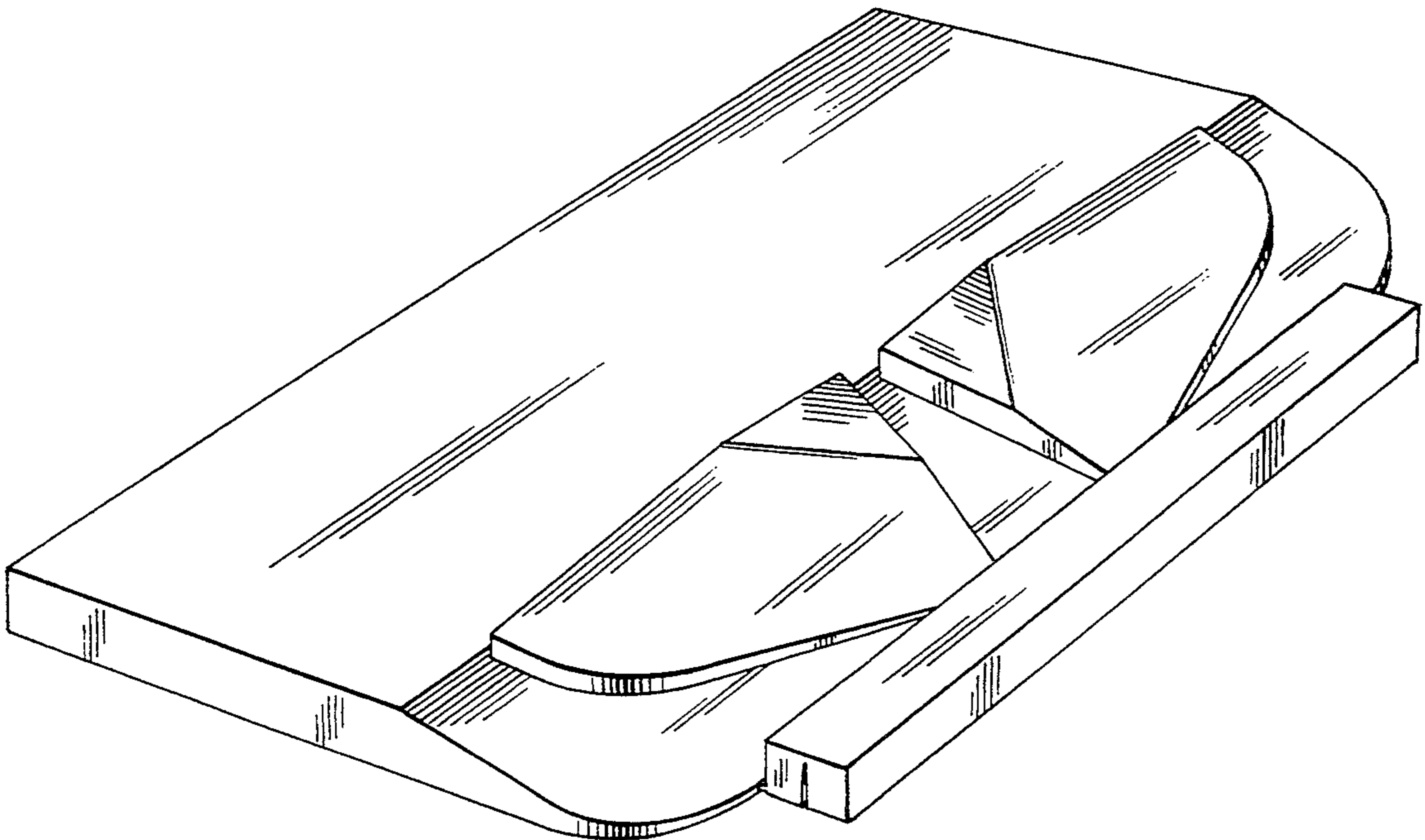


FIG. 15

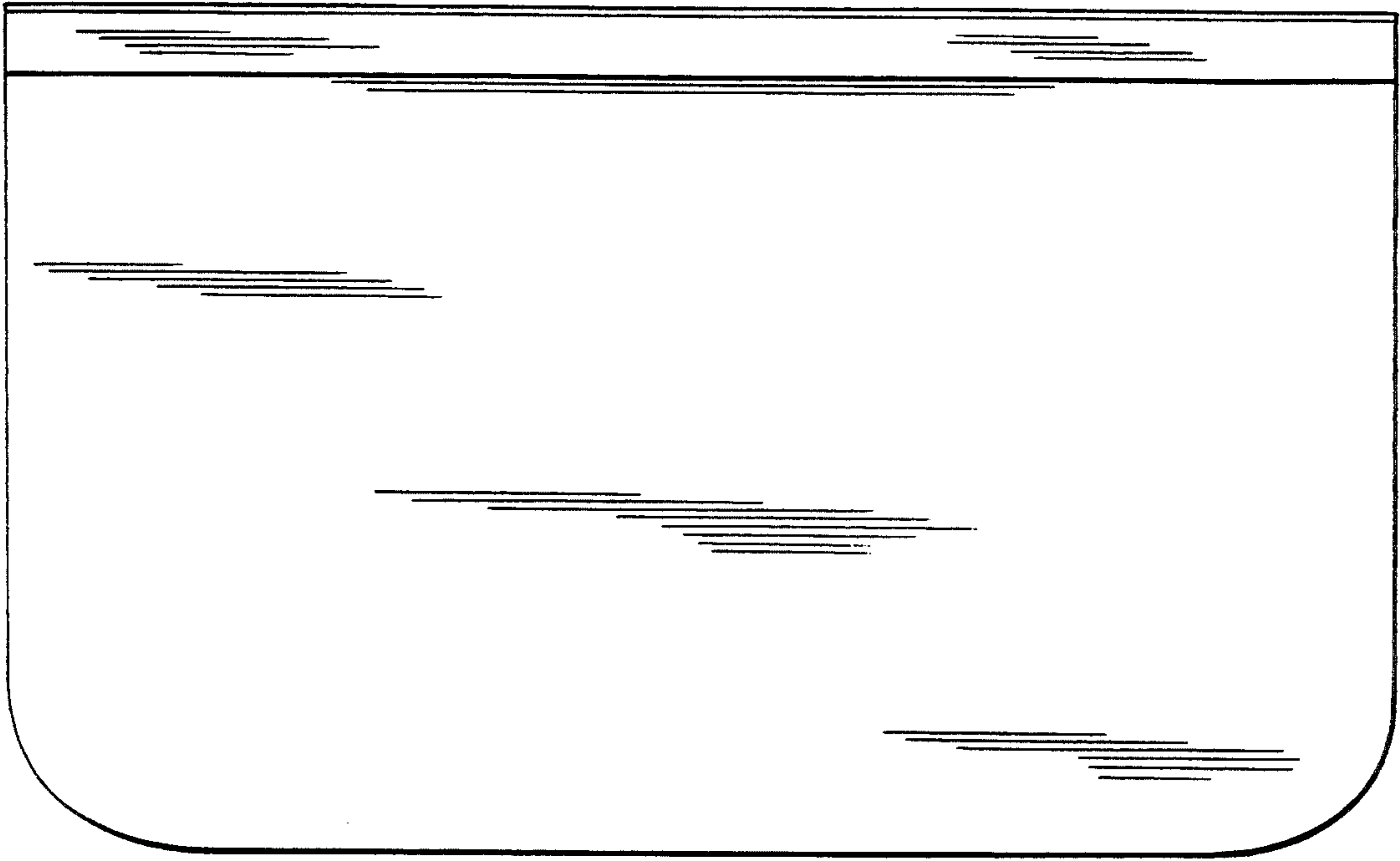


FIG. 16

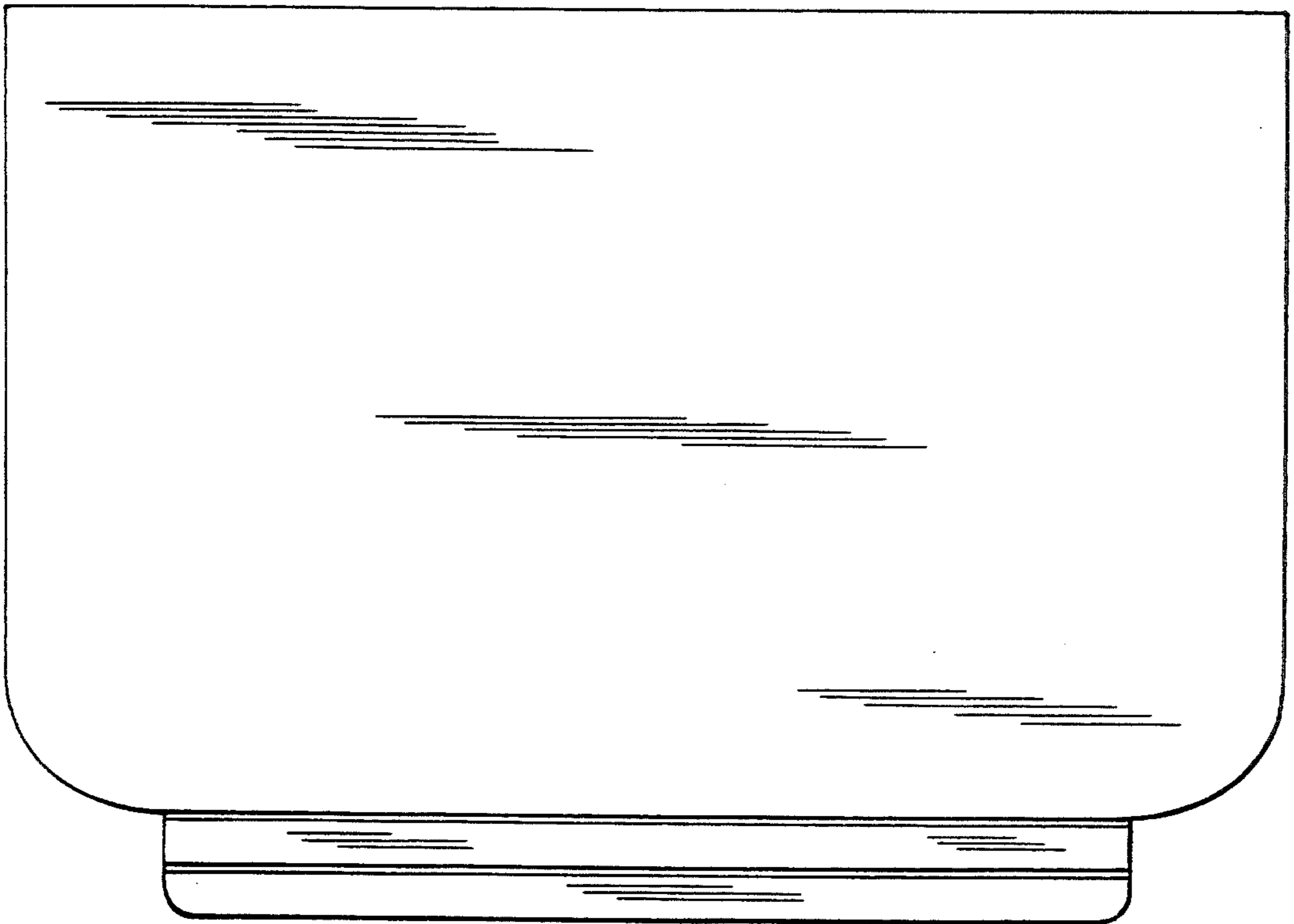


FIG. 17