



US00D361987S

# United States Patent [19]

[11] Patent Number: **Des. 361,987**

Yamazaki

[45] Date of Patent: **\*\* Sep. 5, 1995**

[54] **DOCKING STATION FOR EXTENDING THE FUNCTIONS OF A LAPTOP COMPUTER**

[75] Inventor: **Kazuhiko Yamazaki**, Kanagawa, Japan

[73] Assignee: **International Business Machines Corporation**, Armonk, N.Y.

[\*\*] Term: **14 Years**

[21] Appl. No.: **16,491**

[22] Filed: **Dec. 16, 1993**

[30] **Foreign Application Priority Data**

Jun. 30, 1993 [JP]	Japan .....	5-19705
[52] U.S. Cl. ....		<b>D14/107</b>
[58] Field of Search .....	D14/100, 107, 114;	
	361/683-686; 364/708.1; 439/95, 284, 357, 372	

[56] **References Cited**

**FOREIGN PATENT DOCUMENTS**

728519	4/1988	Japan .....	D14/4 107
754221	2/1989	Japan .....	D14/4 107

**OTHER PUBLICATIONS**

IBM Serial/Parallel Aclapter, Oct. 1986.

*Primary Examiner*—Freda S. Nunn  
*Attorney, Agent, or Firm*—Martin J. McKinley; Andrew J. Dillon

[57] **CLAIM**

The ornamental design for a docking station for extending the functions of a laptop computer, as shown and described.

**DESCRIPTION**

FIG. 1 is a front elevational view of a docking station for extending the functions of a laptop computer showing my new design;

FIG. 2 is a rear elevational view thereof;

FIG. 3 is a top plan view thereof;

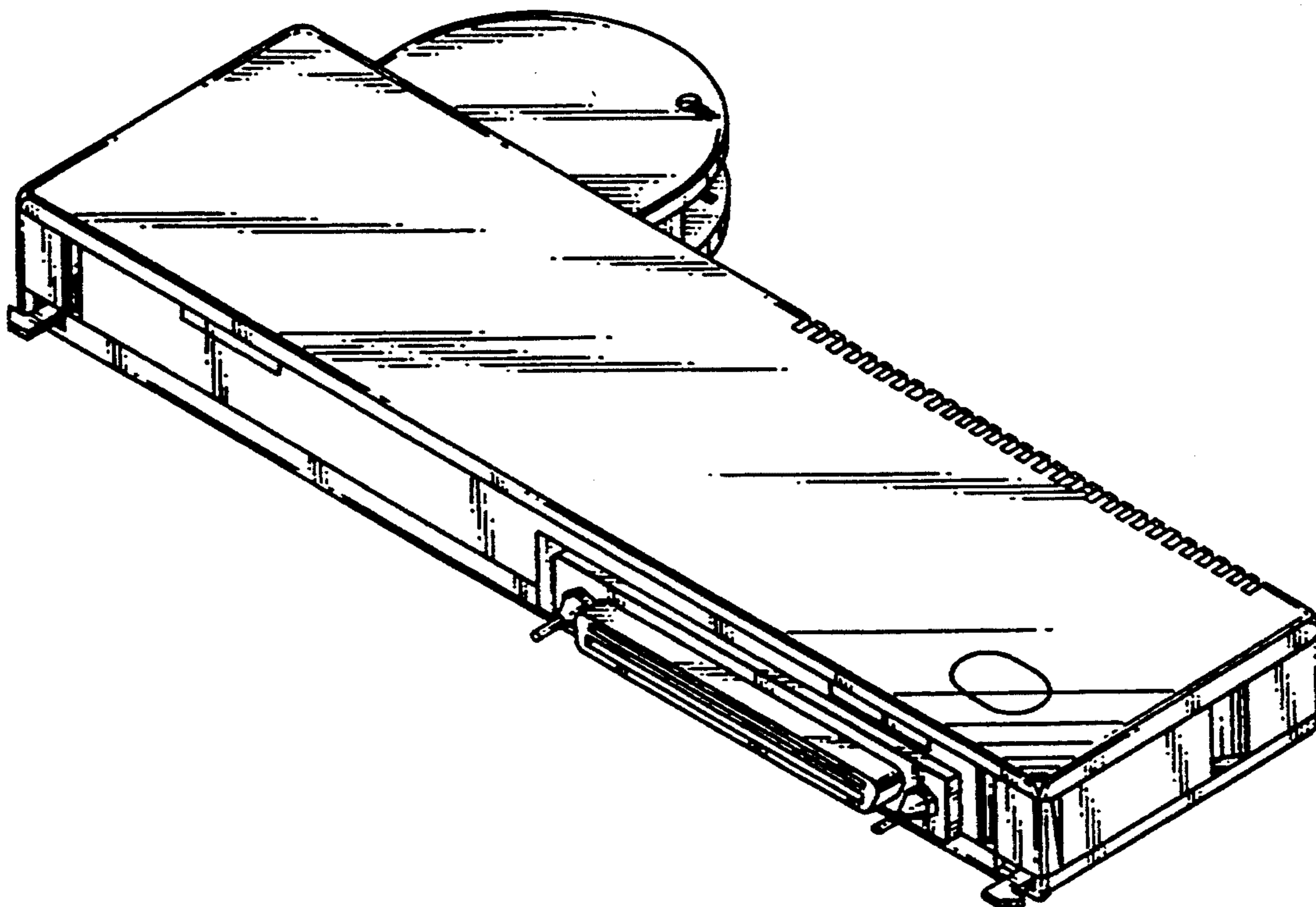
FIG. 4 is a bottom plan view thereof;

FIG. 5 is a left side elevational view thereof;

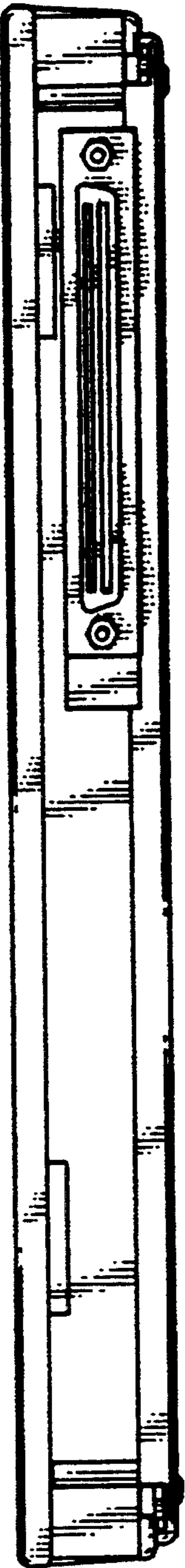
FIG. 6 is a right side elevational view thereof;

FIG. 7 is a perspective view thereof; and,

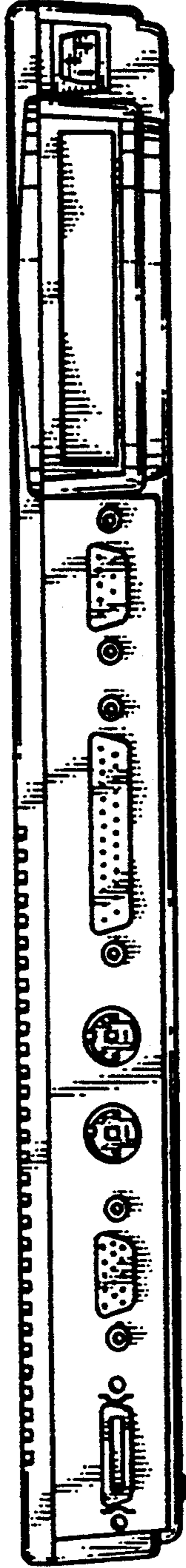
FIG. 8 is a reduced perspective view thereof with a personal computer connected and shown in broken lines for illustrative purposes only and forming no part of the claimed design.



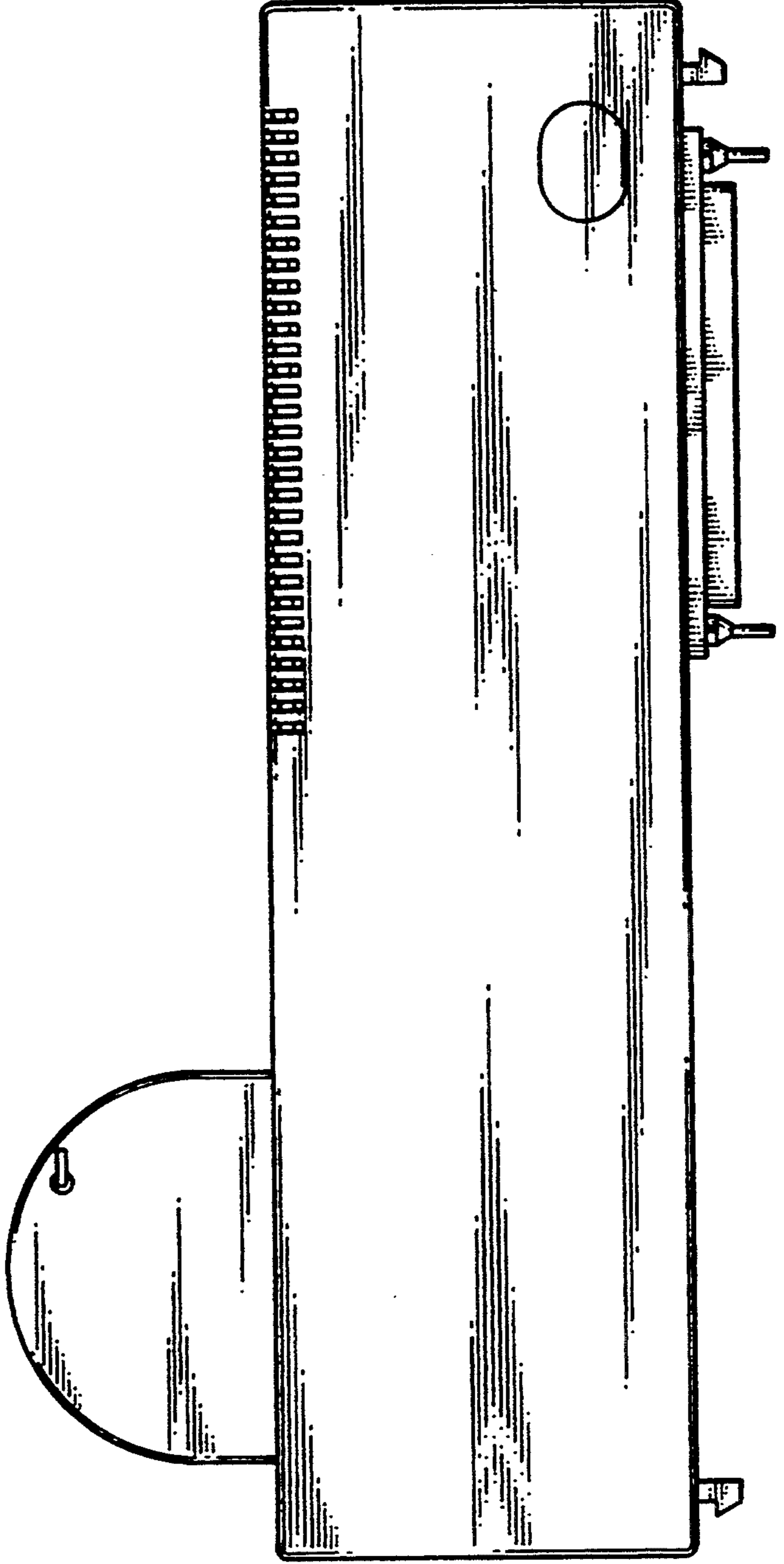
*Fig. 1*



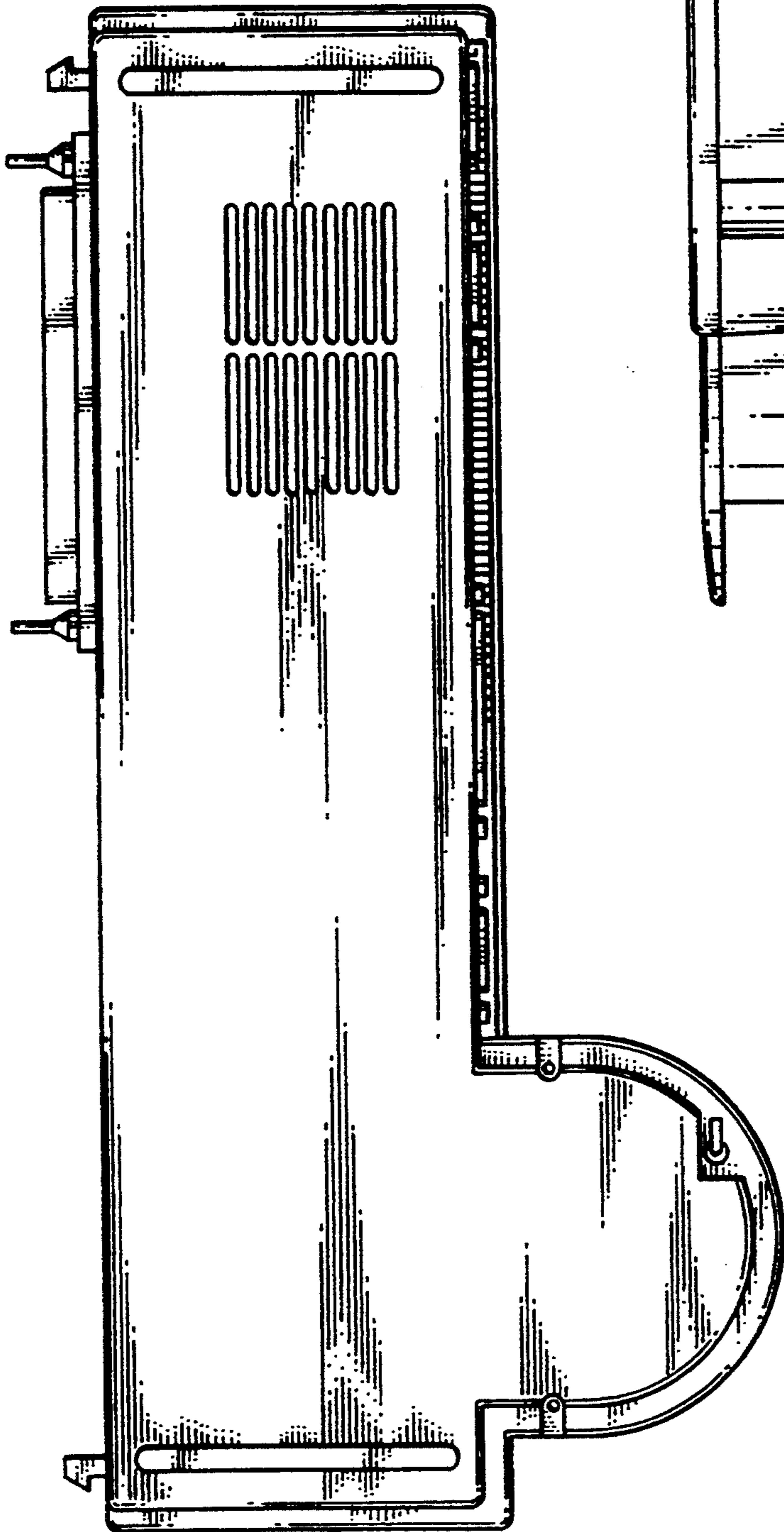
*Fig. 2*



*Fig. 3*



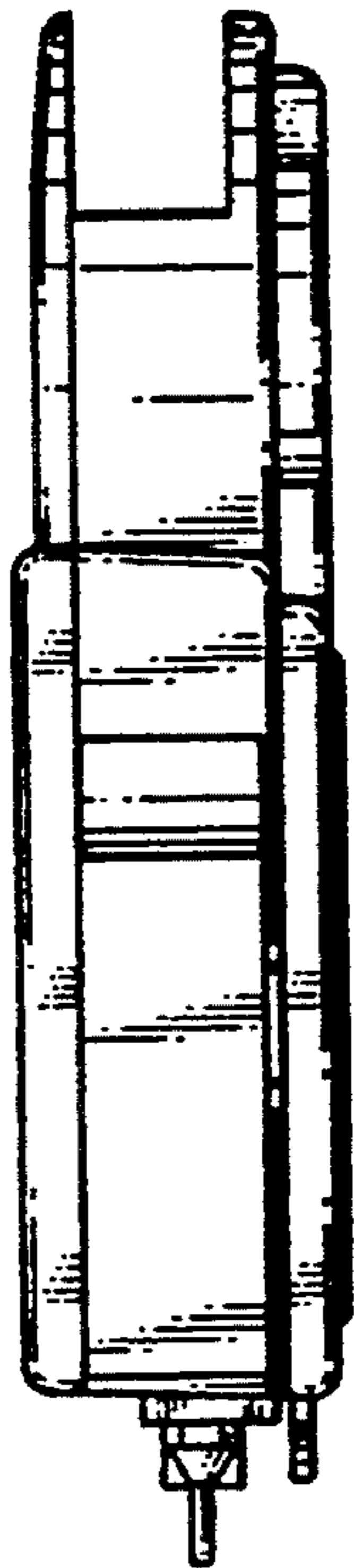
*Fig. 4*



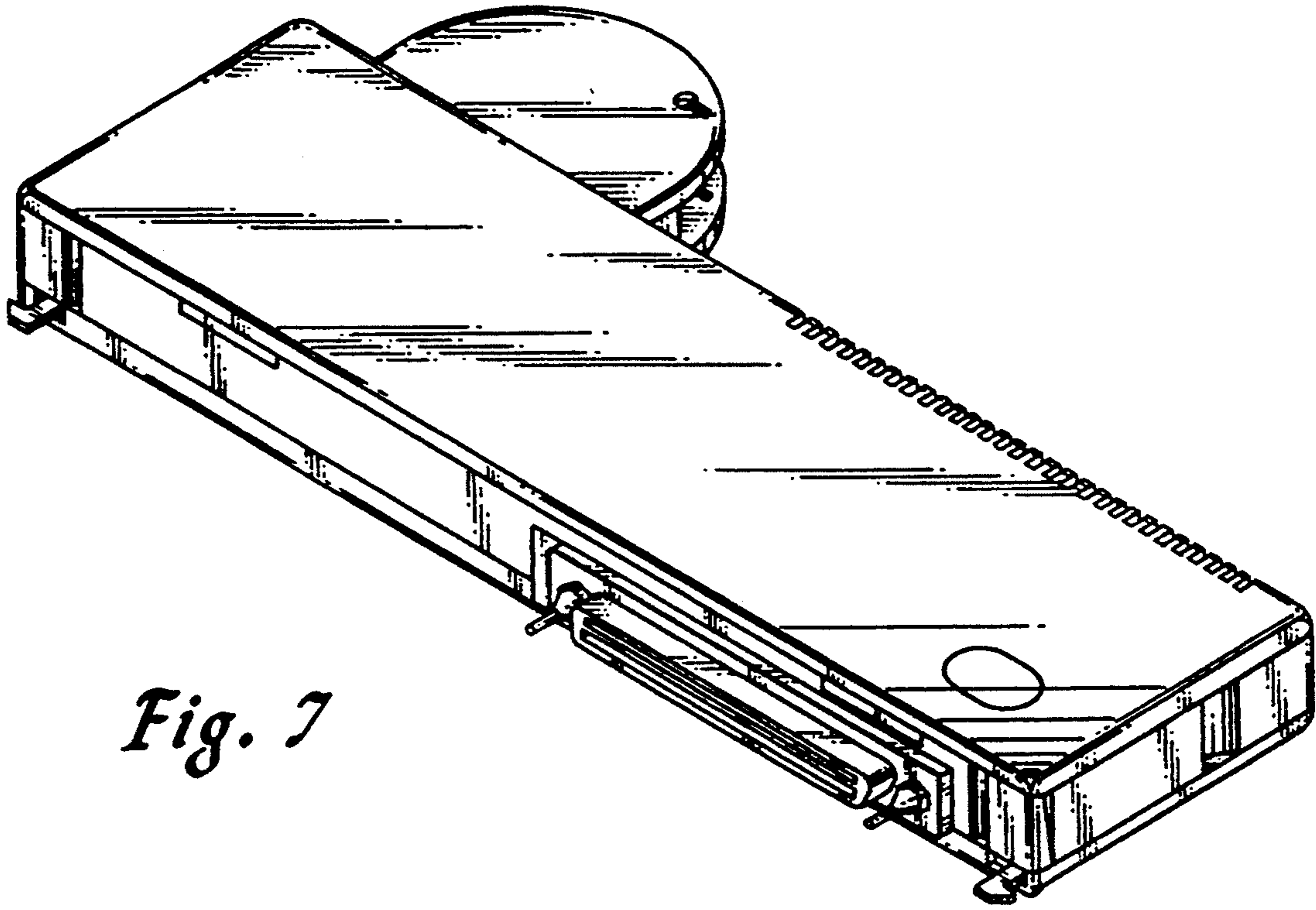
*Fig. 5*



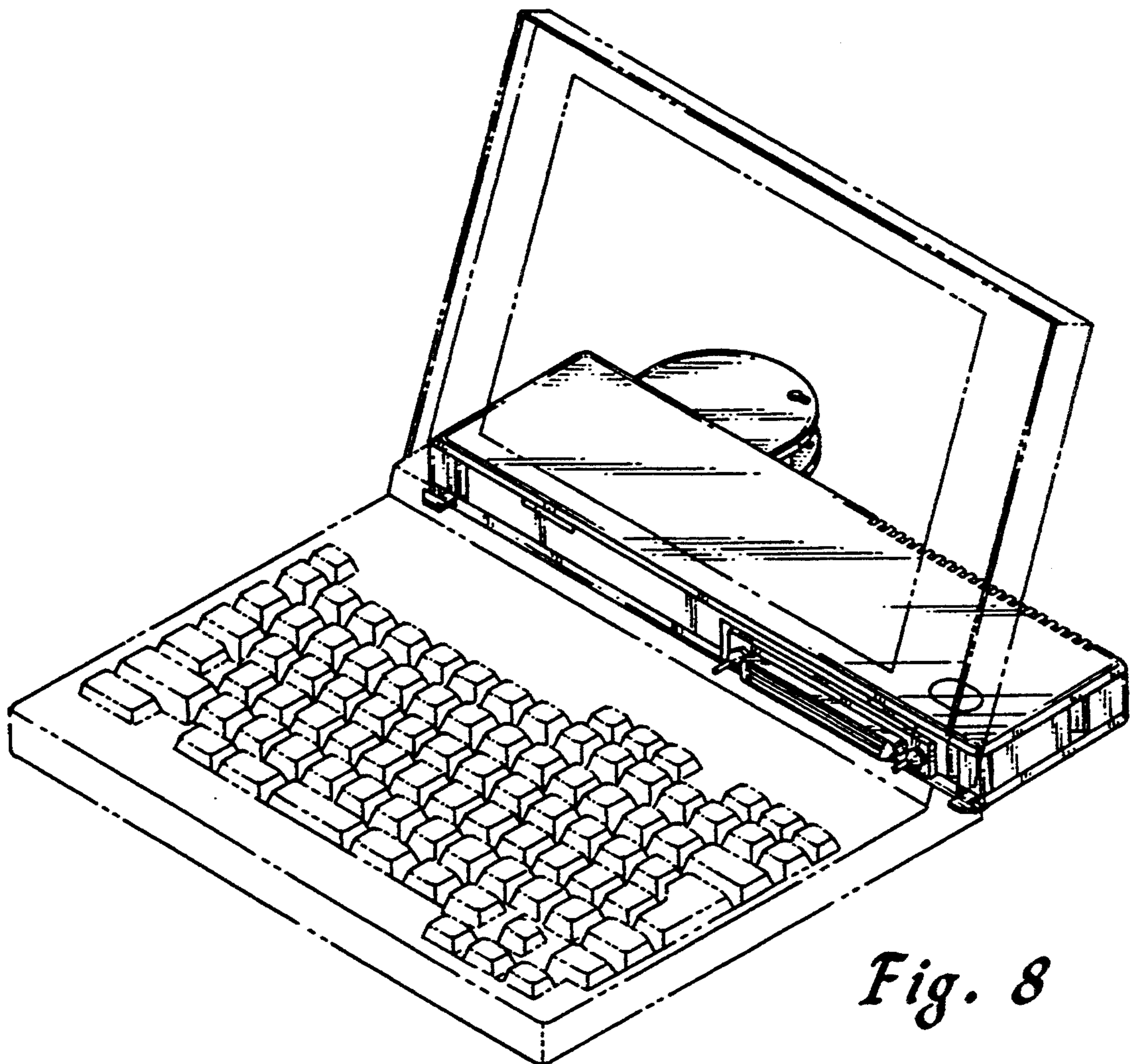
*Fig. 6*







*Fig. 7*



*Fig. 8*