



US00D361984S

# United States Patent [19]

[11] Patent Number: **Des. 361,984**

Levine

[45] Date of Patent: **\*\* Sep. 5, 1995**

[54] LATCH AND KNOB COMBINATION

3,686,601	8/1972	Kaczmarek et al. ....	200/325
4,000,382	12/1976	Kolb .....	200/336
4,406,933	9/1983	Boozer .....	200/336

[75] Inventor: **Mark Levine**, Plainview, N.Y.

[73] Assignee: **General Automotive Specialty Co., Inc.**, North Brunswick, N.J.

*Primary Examiner*—B. J. Bullock  
*Attorney, Agent, or Firm*—Darby & Darby

[\*\*] Term: **14 Years**

### [57] CLAIM

[21] Appl. No.: **19,644**

The ornamental design for a latch and knob combination, as shown and described.

[22] Filed: **Mar. 8, 1994**

### DESCRIPTION

[52] U.S. Cl. .... **D13/174; D8/310**

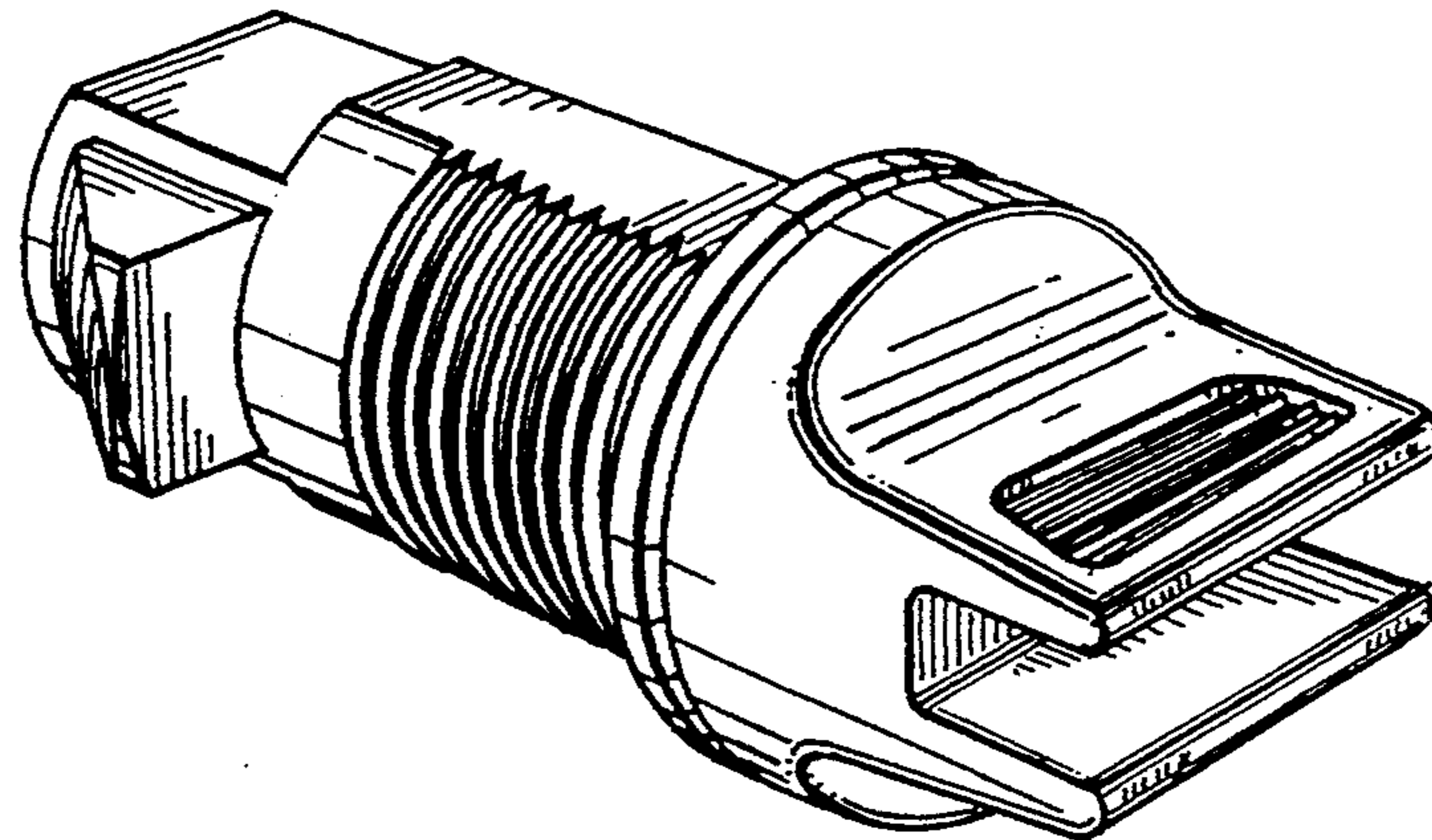
[58] Field of Search ..... D8/307, 310; D13/158, D13/174; 200/318, 318.1, 318.2, 321, 322, 323, 324, 325, 327, 336

FIG. 1 shows a perspective view of the latch and knob combination design of the present invention; FIG. 2 shows a top view of the design of FIG. 1, the bottom view being a mirror image of FIG. 2; FIG. 3 shows a right end view of the design of FIG. 1; FIG. 4 shows a left end view of the design of FIG. 1; FIG. 5 shows a left side view of the design of FIG. 1; and, FIG. 6 shows a right side view of the design of FIG. 1.

### [56] References Cited

#### U.S. PATENT DOCUMENTS

3,345,489	10/1967	Kemnitz .....	200/318.2
3,550,472	12/1970	Dummer .....	200/318.1



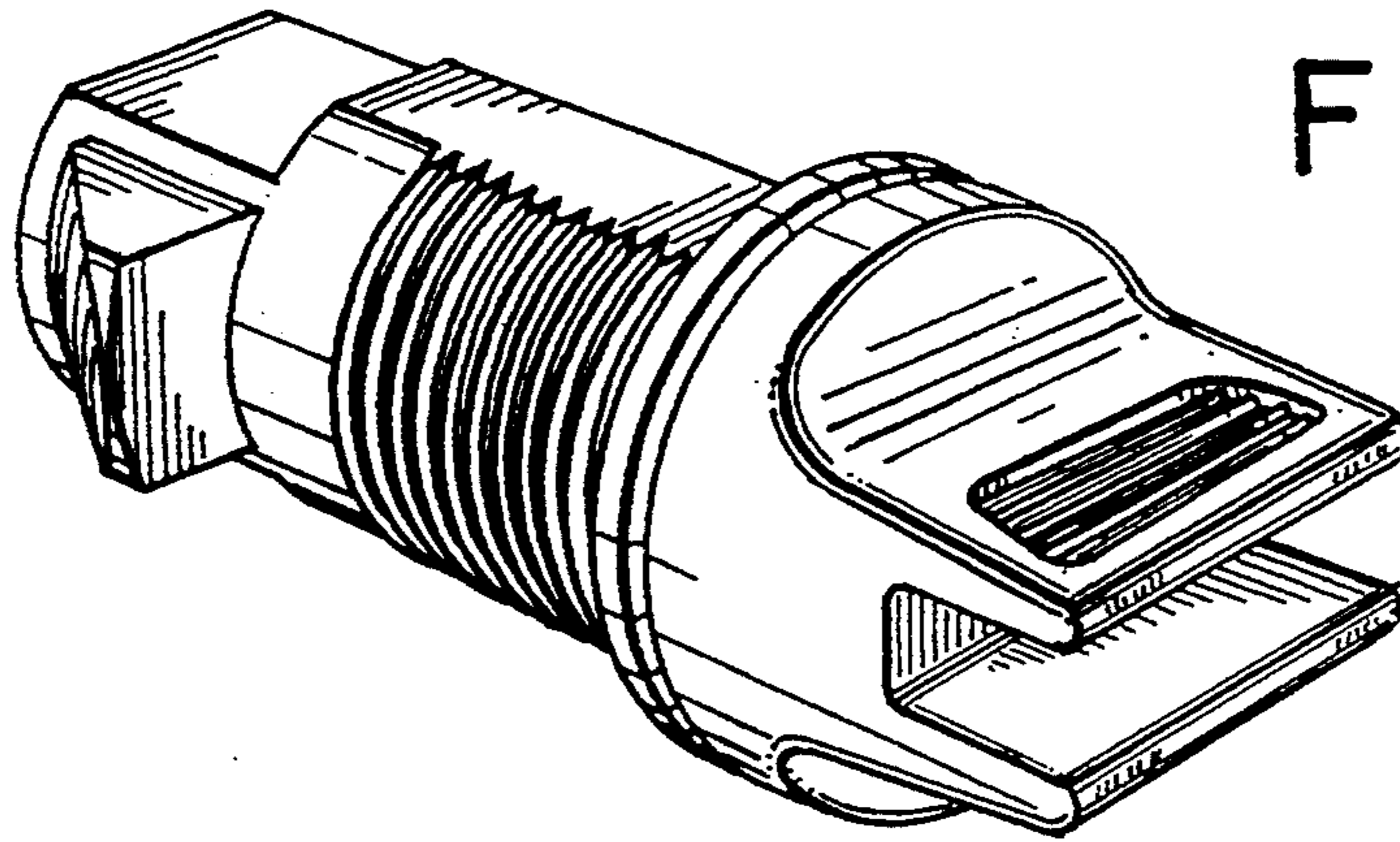


FIG. 1

FIG. 2

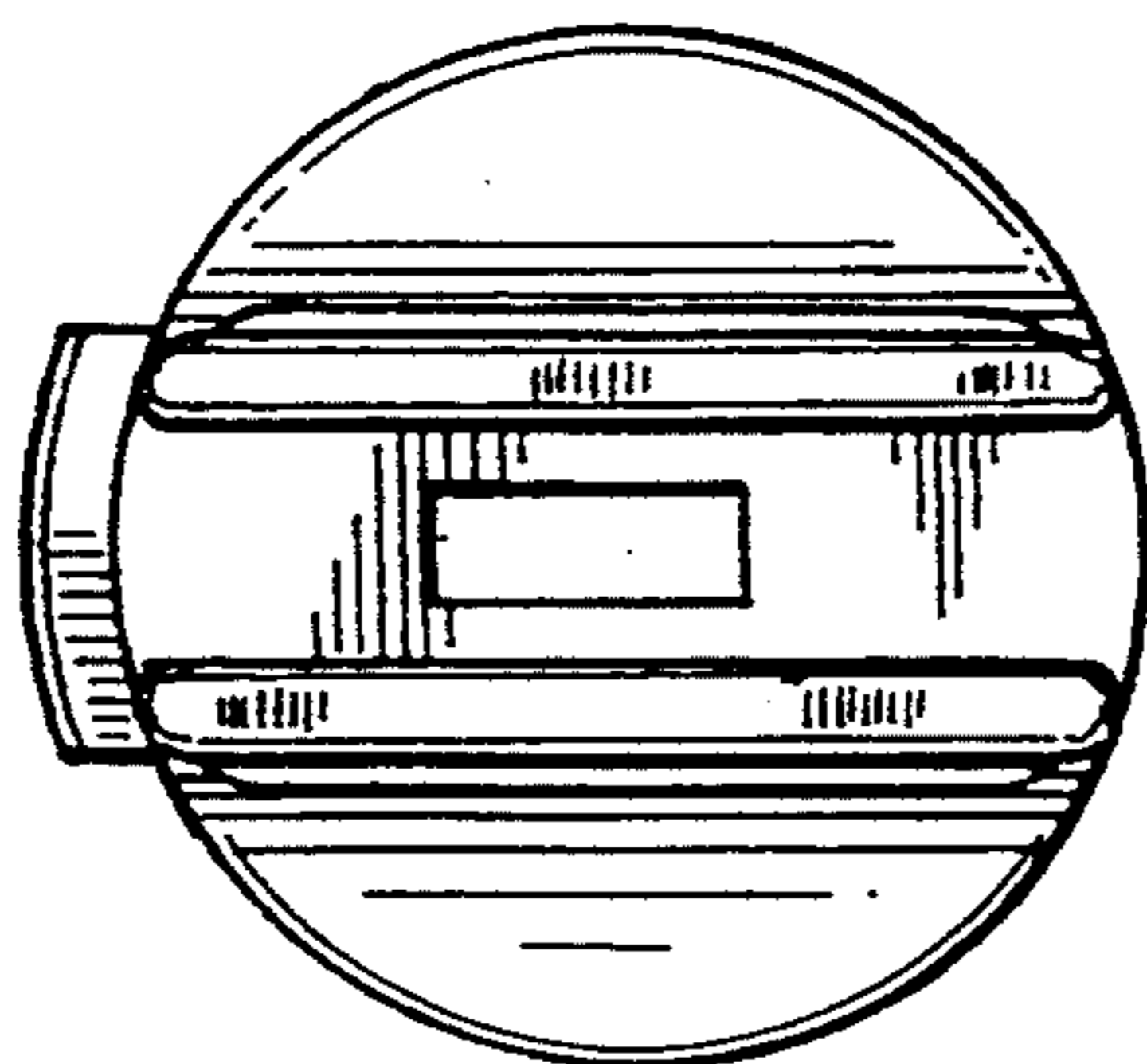
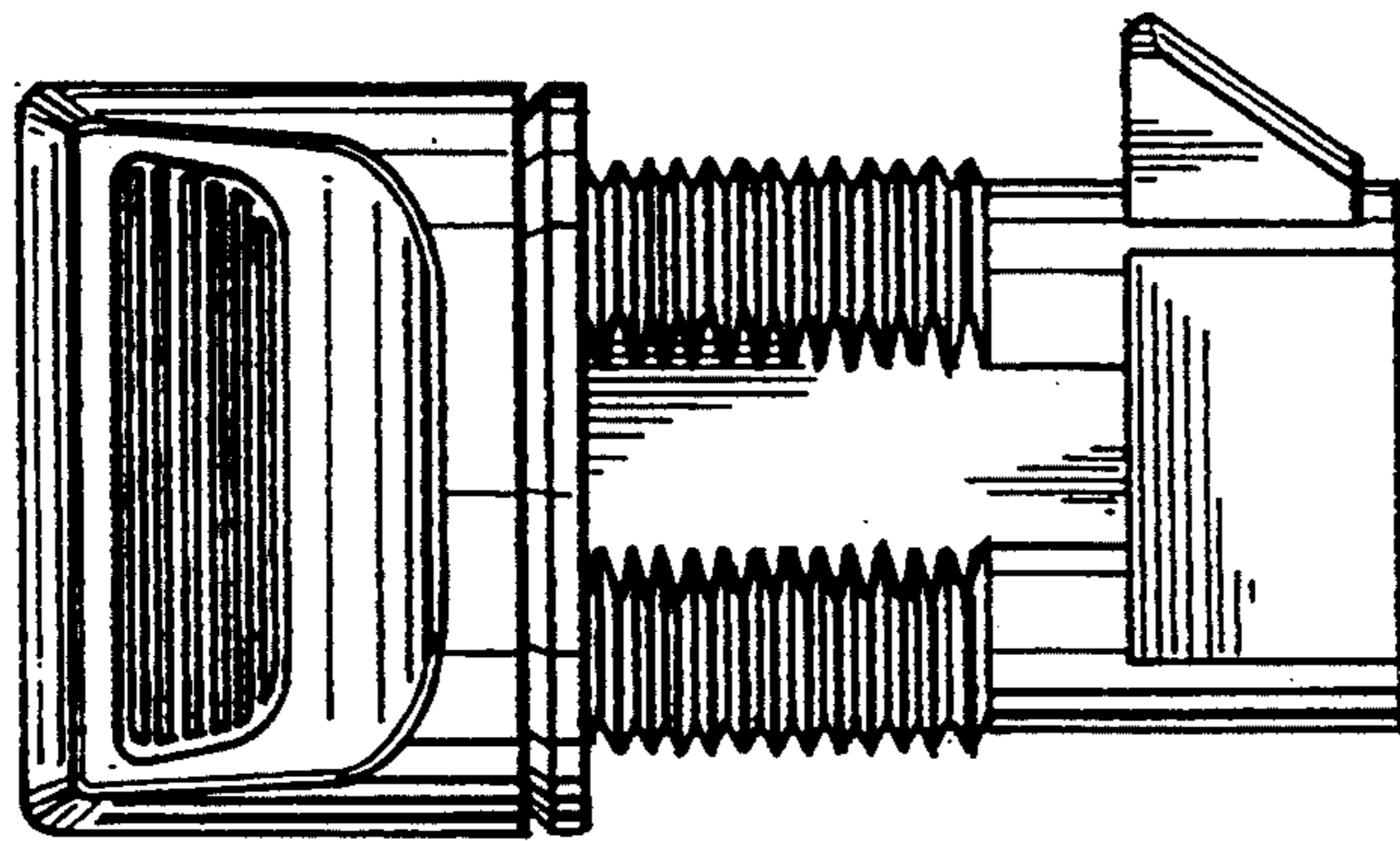


FIG. 3

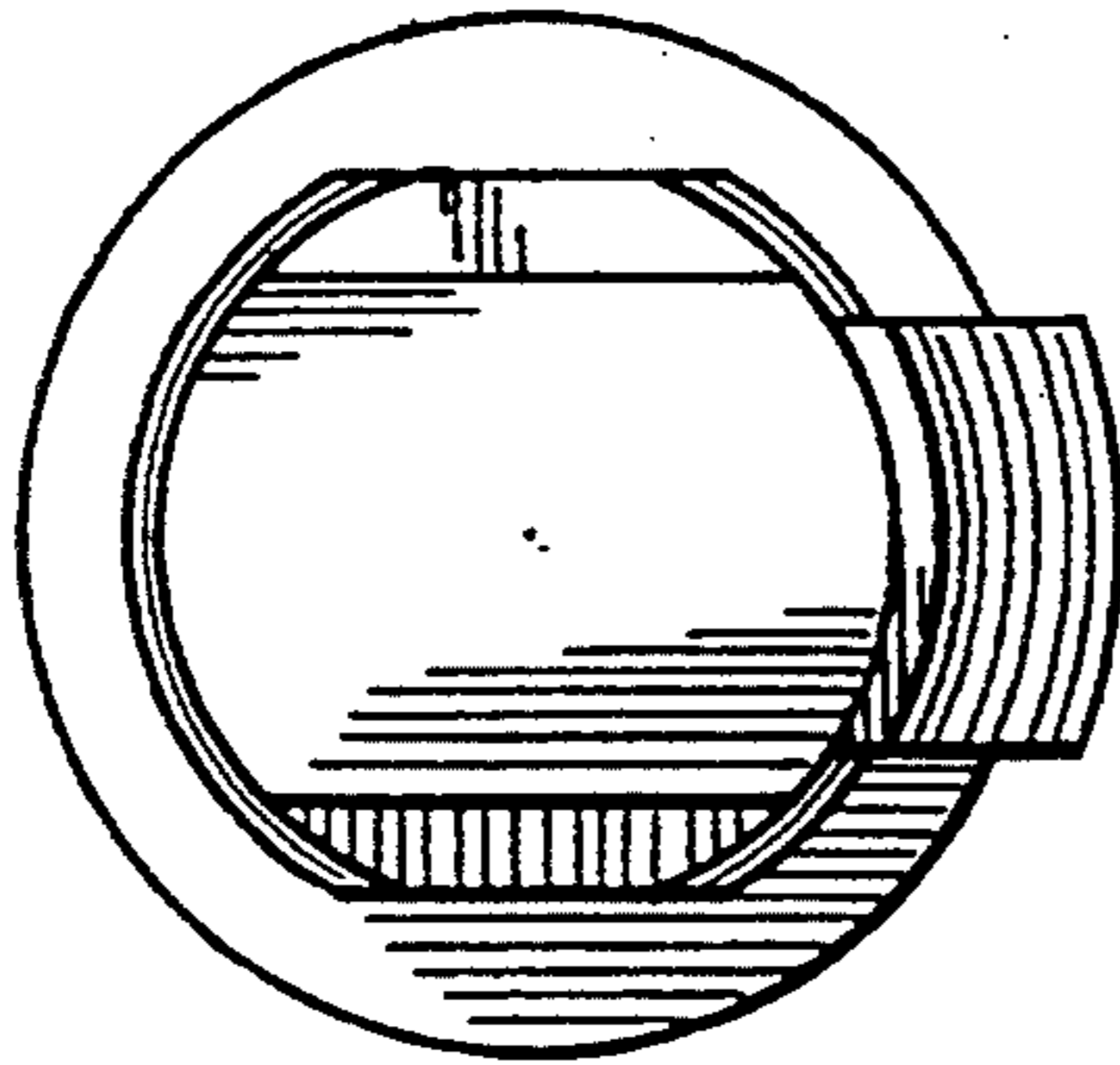


FIG. 4

FIG. 5

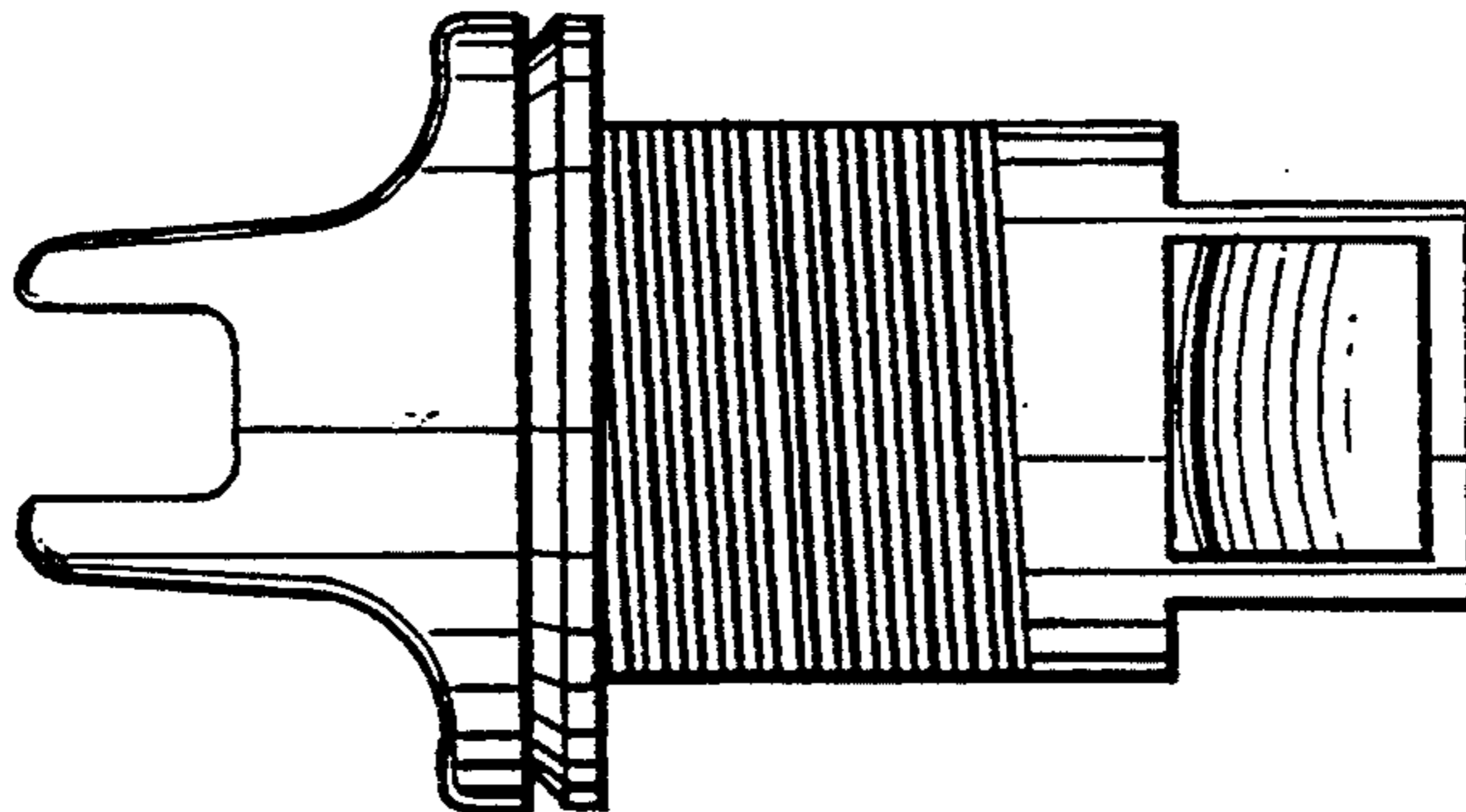


FIG. 6

