



US00D361979S

# United States Patent [19]

[11] Patent Number: **Des. 361,979**

Shirakawa et al.

[45] Date of Patent: **\*\* Sep. 5, 1995**

[54] **BATTERY CHARGER FOR RADIO TELEPHONES**

[75] Inventors: **Tomiaki Shirakawa; Takashi Kajita,**  
both of Tokyo, Japan

[73] Assignee: **Kabushiki Kaisha Toshiba,**  
Kanagawa, Japan

[\*\*] Term: **14 Years**

[21] Appl. No.: **26,269**

[22] Filed: **Jul. 25, 1994**

[30] **Foreign Application Priority Data**

Feb. 28, 1994 [JP] Japan ..... 6-5015

[52] U.S. Cl. .... **D13/108; D14/149**

[58] Field of Search ..... D13/107, 108, 110;  
D14/142, 140, 149, 240, 253; 320/2-5, 15, 21

[56] **References Cited**

**U.S. PATENT DOCUMENTS**

- D. 307,016 4/1990 Watanabe ..... D14/240
- D. 328,277 7/1992 Leman et al. .... D13/108
- D. 328,889 8/1992 Seki ..... D13/108
- D. 349,097 7/1994 Watanabe ..... D13/108
- D. 349,273 8/1994 Taylor ..... D13/108

- D. 350,540 9/1994 Hyvonen ..... D13/108
- D. 353,131 12/1994 Nagele ..... D13/107
- D. 354,041 1/1995 Schied et al. .... D13/108
- D. 354,287 1/1995 Tokiyama ..... D14/253
- 5,138,245 8/1992 Mattinger et al. .... 320/2
- 5,365,159 11/1994 Chen ..... 320/15

**FOREIGN PATENT DOCUMENTS**

- 779548 1/1990 Japan .
- 787660 5/1990 Japan .

*Primary Examiner*—Jeffrey Asch  
*Attorney, Agent, or Firm*—Banner & Allegretti, Ltd.

[57] **CLAIM**

The ornamental design for a battery charger for radio telephones, as shown and described.

**DESCRIPTION**

FIG. 1 is a top, front and right side perspective view of a battery charger for radio telephones showing my new design;

FIG. 2 is a front elevational view thereof;

FIG. 3 is a rear elevational view thereof;

FIG. 4 is a right side elevational view thereof;

FIG. 5 is a left side elevational view thereof;

FIG. 6 is a top plan view thereof; and,

FIG. 7 is a bottom plan view thereof.

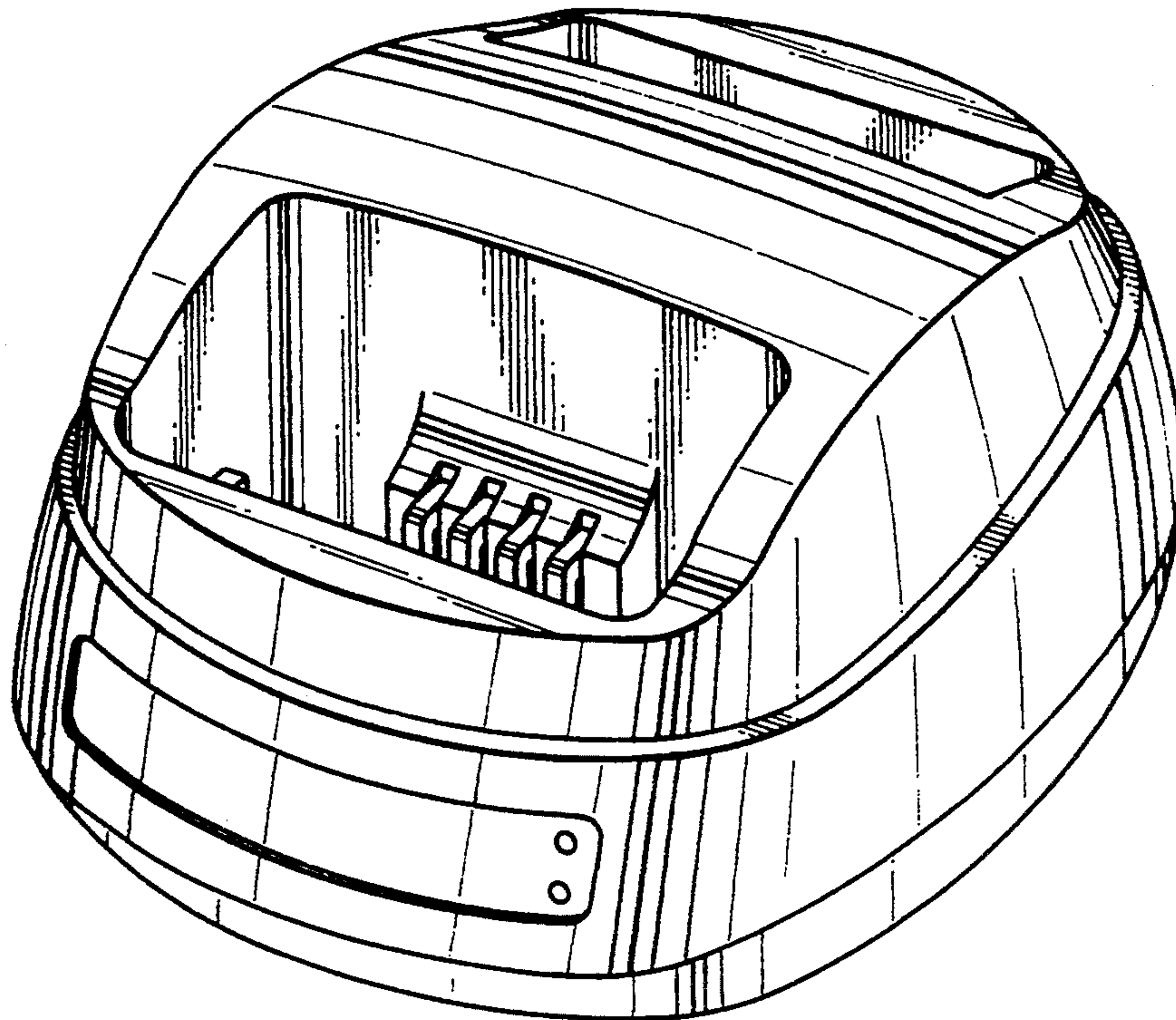


FIG. 1

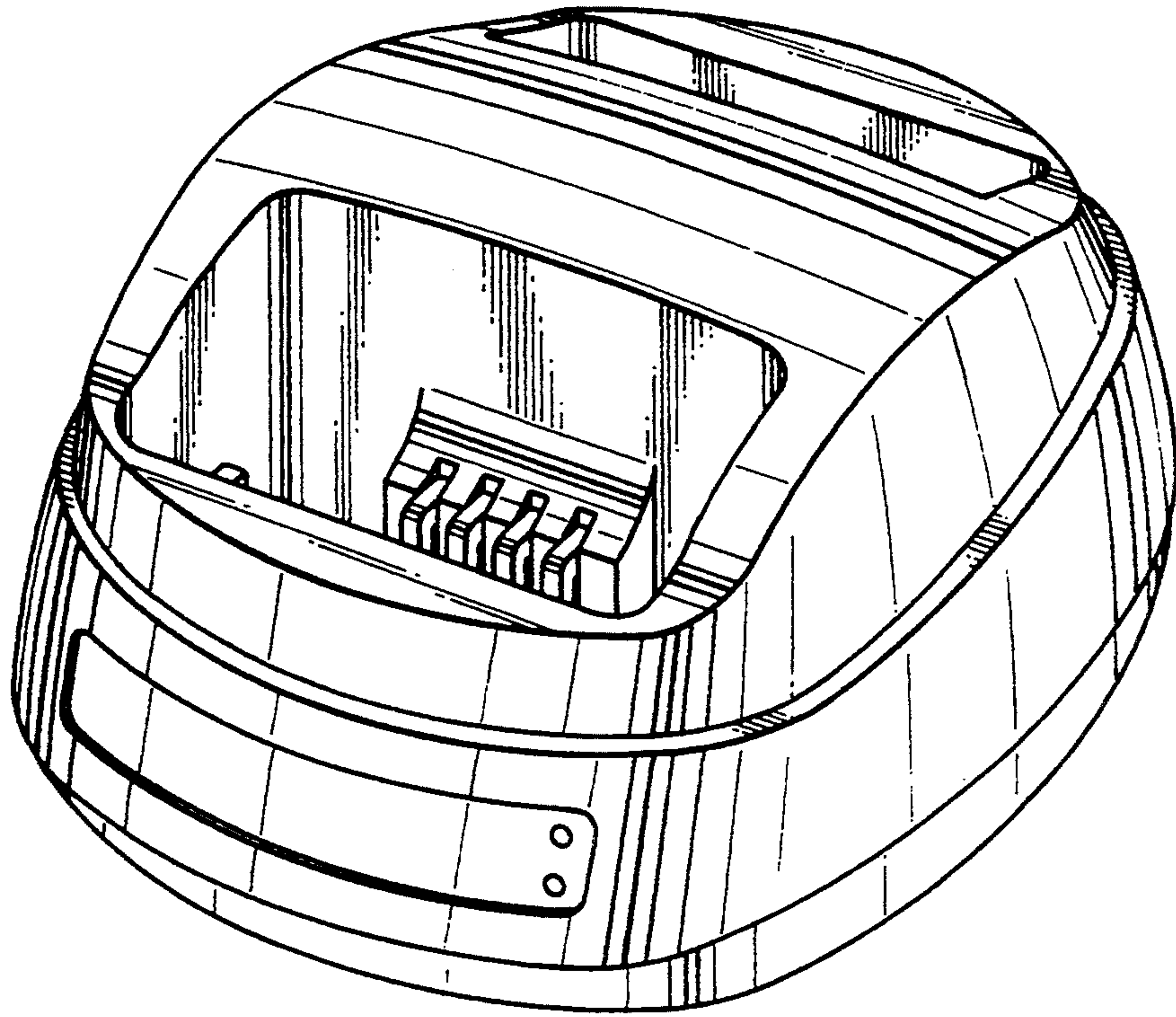


FIG. 2

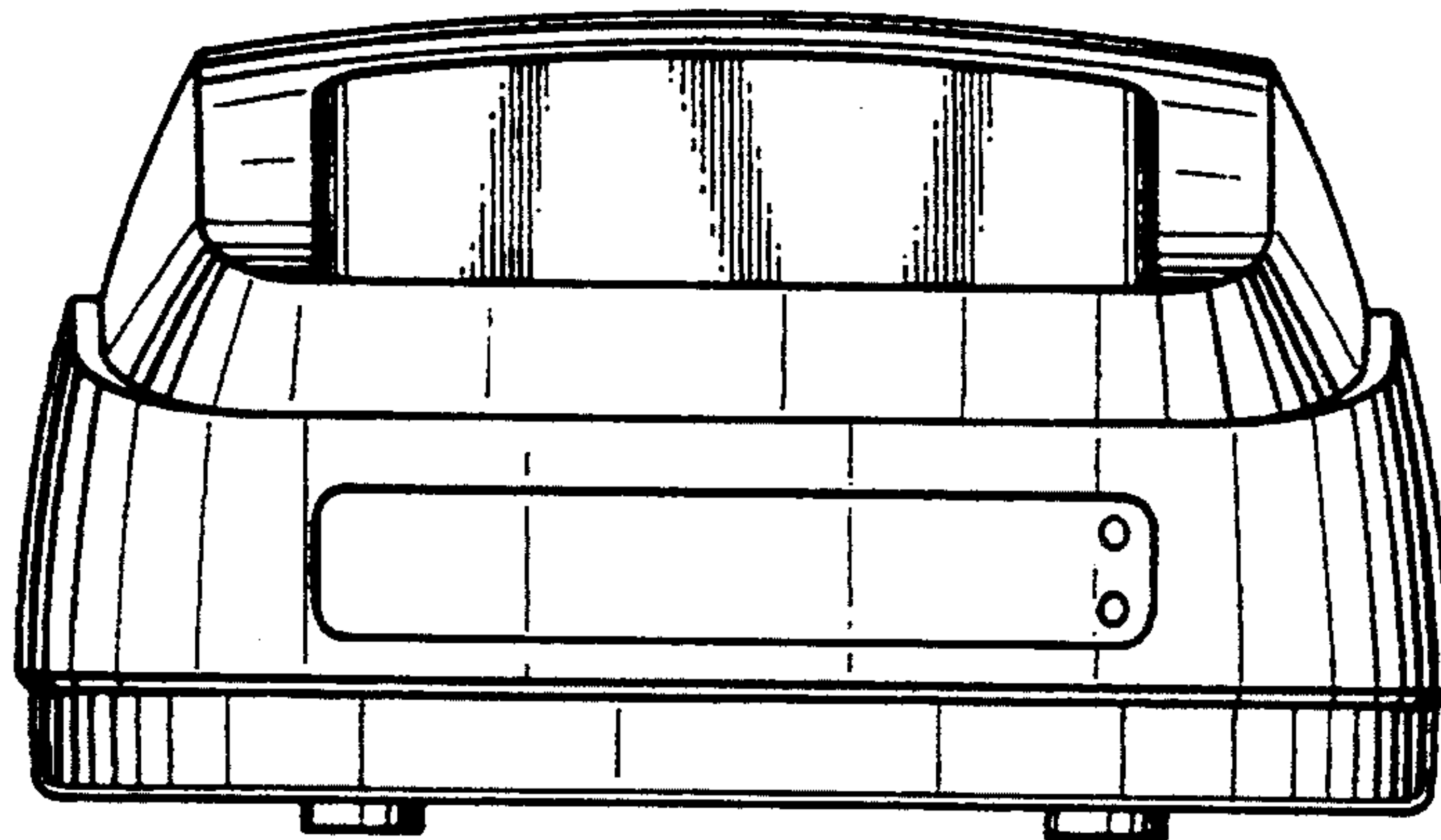


FIG.3

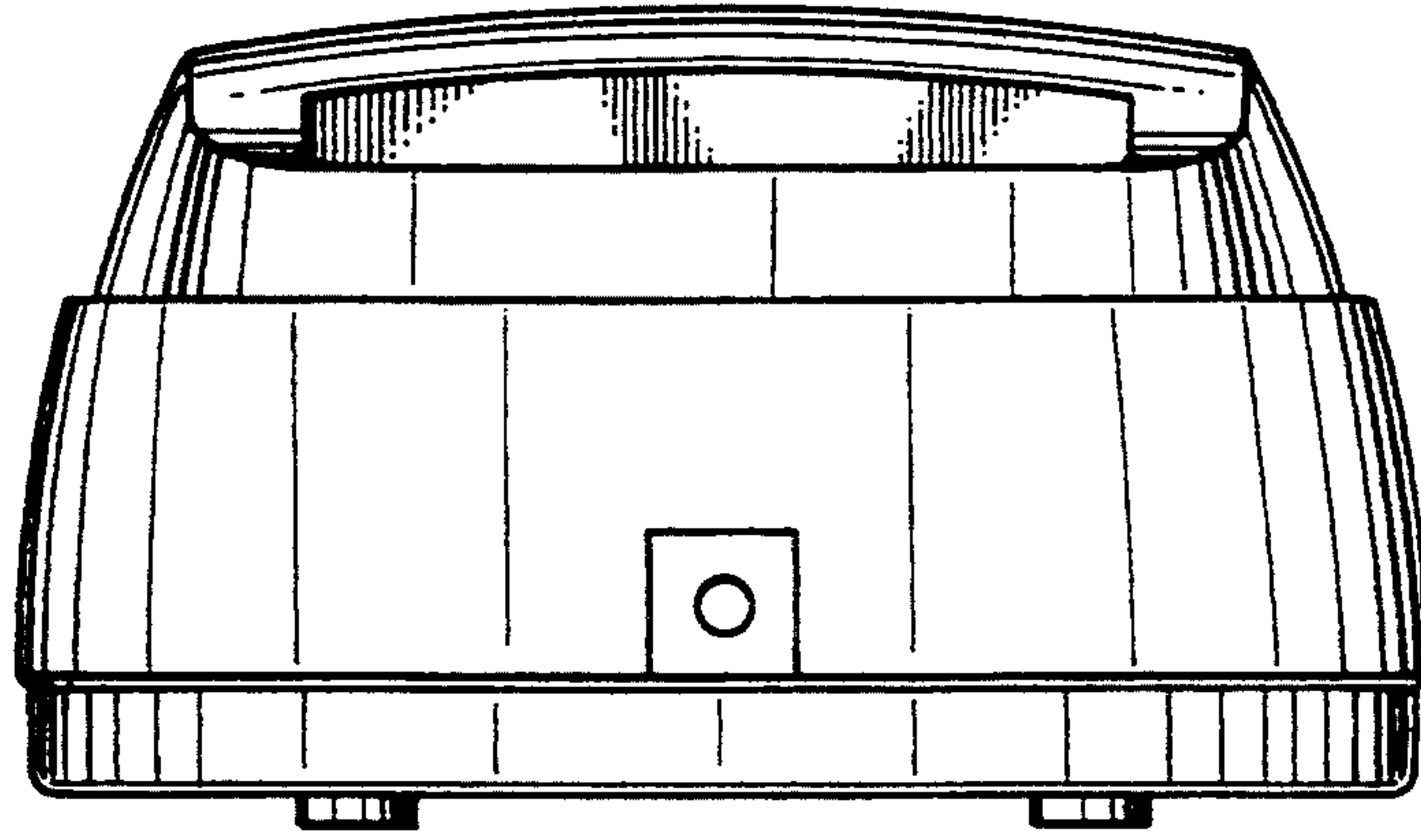


FIG.4

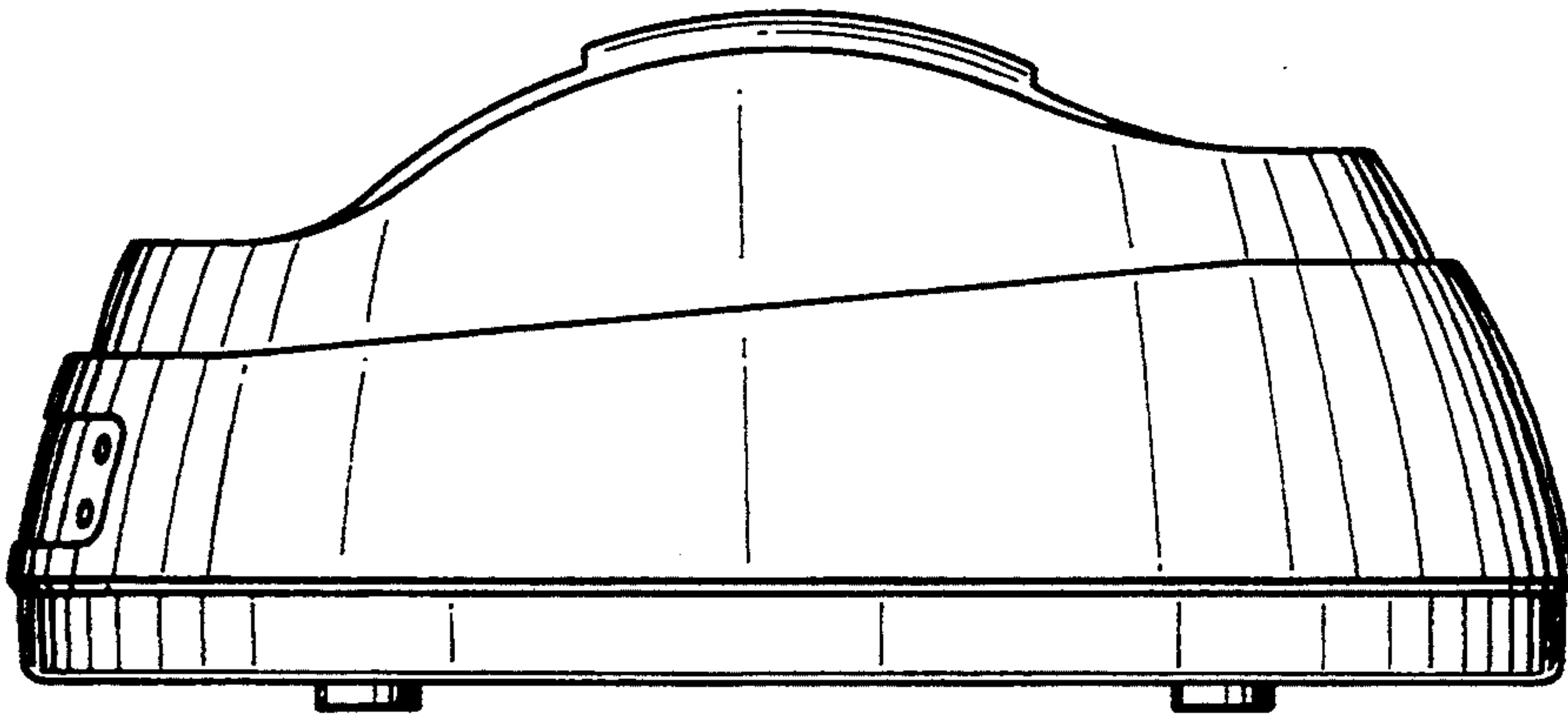


FIG.5

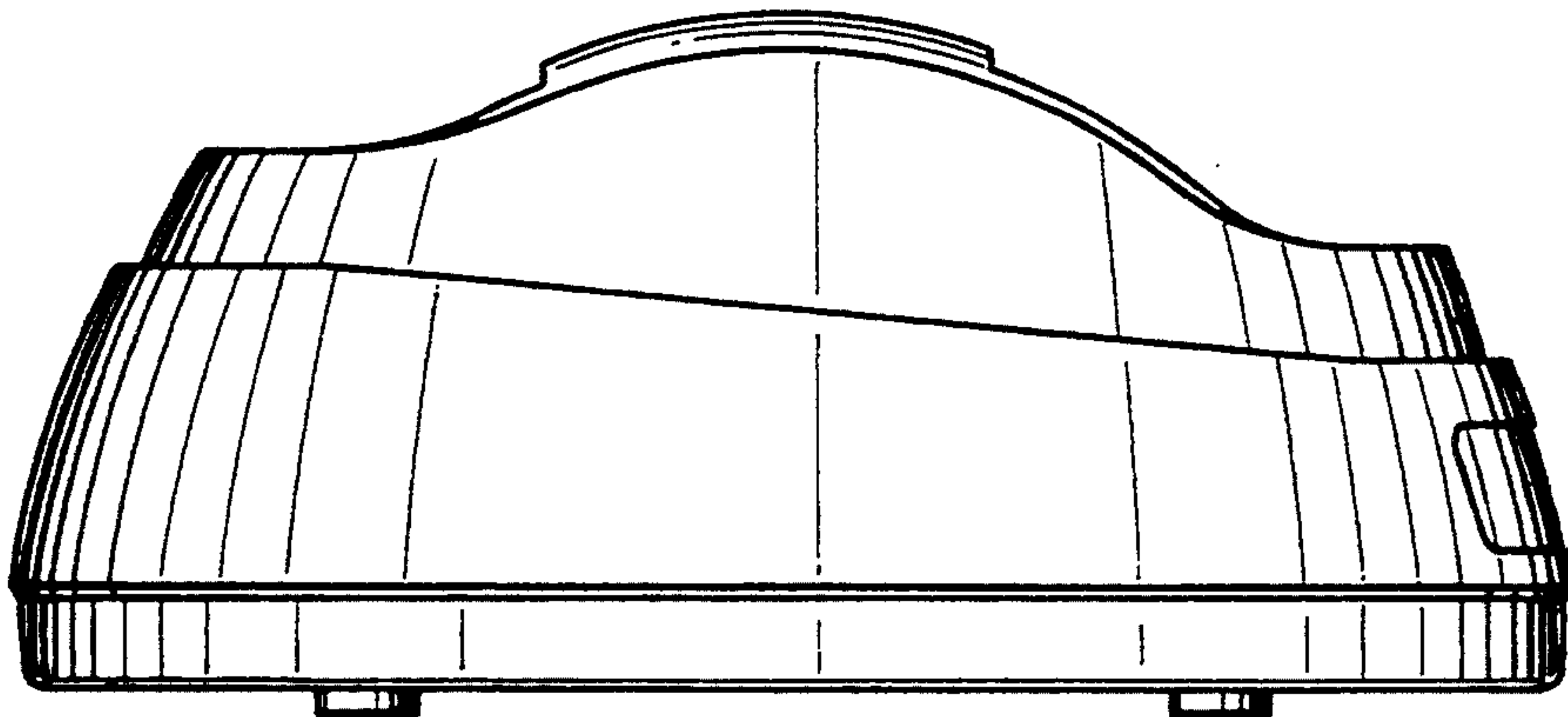




FIG. 6

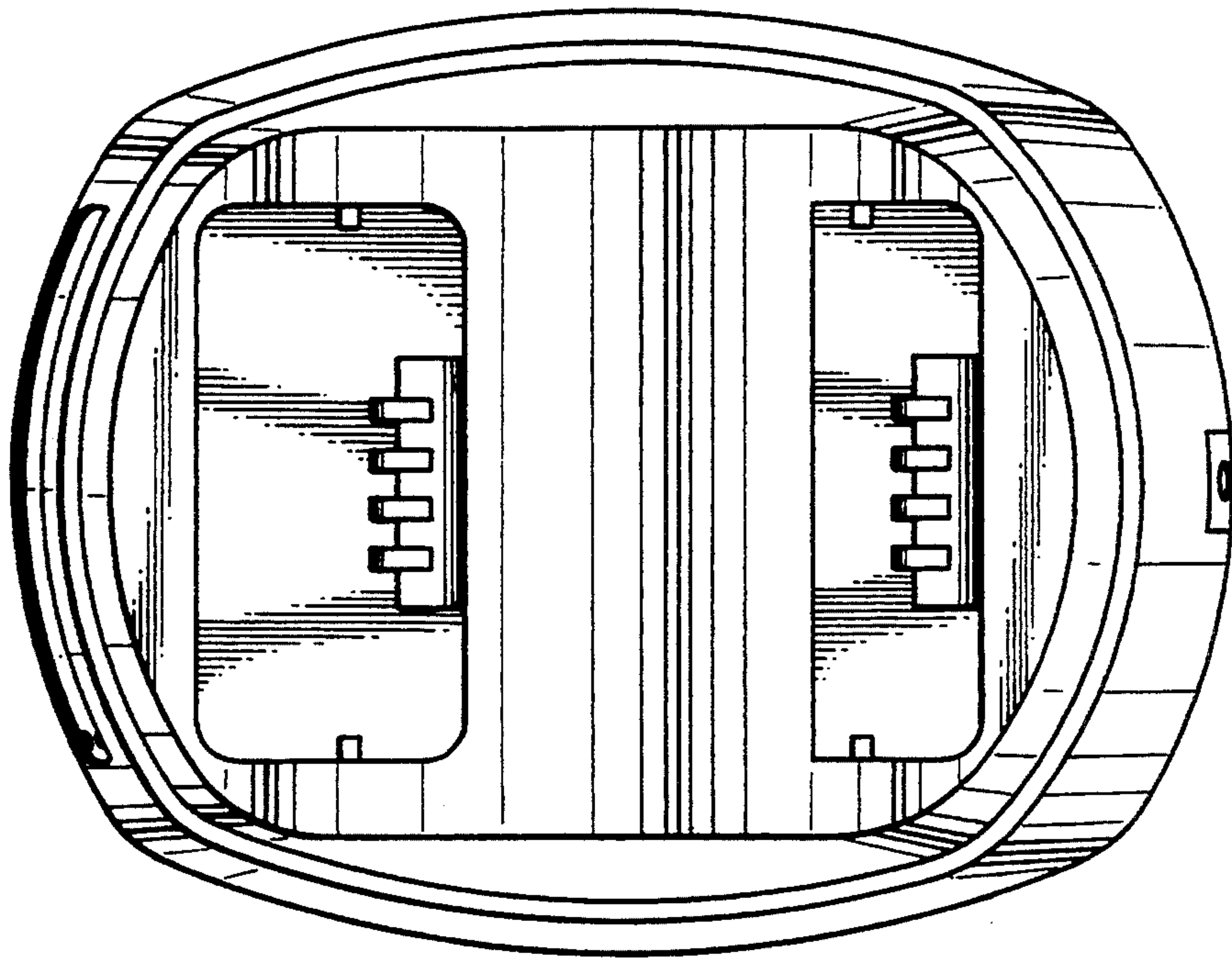


FIG. 7

