



US00D361970S

# United States Patent [19]

[11] Patent Number: **Des. 361,970**

Zetterlund

[45] Date of Patent: **\*\* Sep. 5, 1995**

[54] **EXTENSIBLE VISOR ATTACHABLE TO EXISTING VEHICLE SUN VISOR**

*Primary Examiner*—A. Hugo Word  
*Assistant Examiner*—M. Brown  
*Attorney, Agent, or Firm*—H. Jay Spiegel

[76] Inventor: **Karl E. Zetterlund**, 12625 Memorial Dr., #3, Houston, Tex. 77024

[57] **CLAIM**

[\*\*] Term: **14 Years**

The ornamental design for an extensible visor attachable to existing vehicle sun visor, as shown and described.

[21] Appl. No.: **20,003**

**DESCRIPTION**

[22] Filed: **Mar. 16, 1994**

[52] U.S. Cl. .... **D12/191**

[58] Field of Search ..... D12/191, 187; 296/97.6, 296/97.7, 97.12

FIG. 1 is a perspective view of an extensible visor attachable to existing vehicle sun visor showing my new design;

FIG. 2 is a front elevation view of the visor in contracted condition;

FIG. 3 is a rear elevation view of FIG. 2;

FIG. 4 is a side elevation view of FIG. 2;

FIG. 5 is an opposite side elevation view of FIG. 2;

FIG. 6 is a top plan view of FIG. 2; and,

FIG. 7 is a bottom plan view of FIG. 2.

[56] **References Cited**

**U.S. PATENT DOCUMENTS**

D. 286,036	10/1986	Langensiepen	.....	D12/191
D. 334,551	4/1993	Andres	.....	D12/191
D. 334,911	4/1993	Kucharski	.....	D12/191
D. 339,785	9/1993	Schieran	.....	D12/191

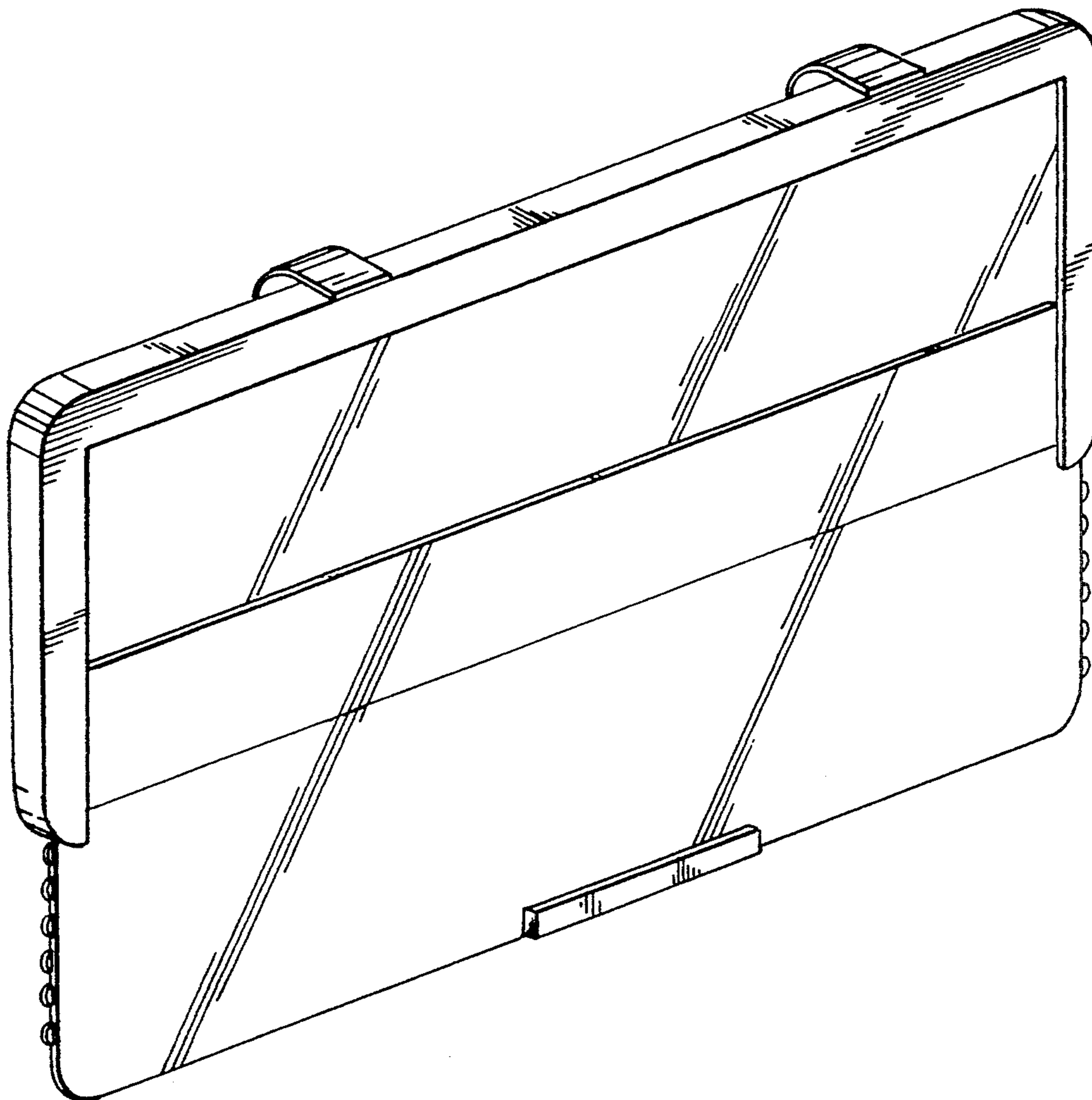


FIG. 1

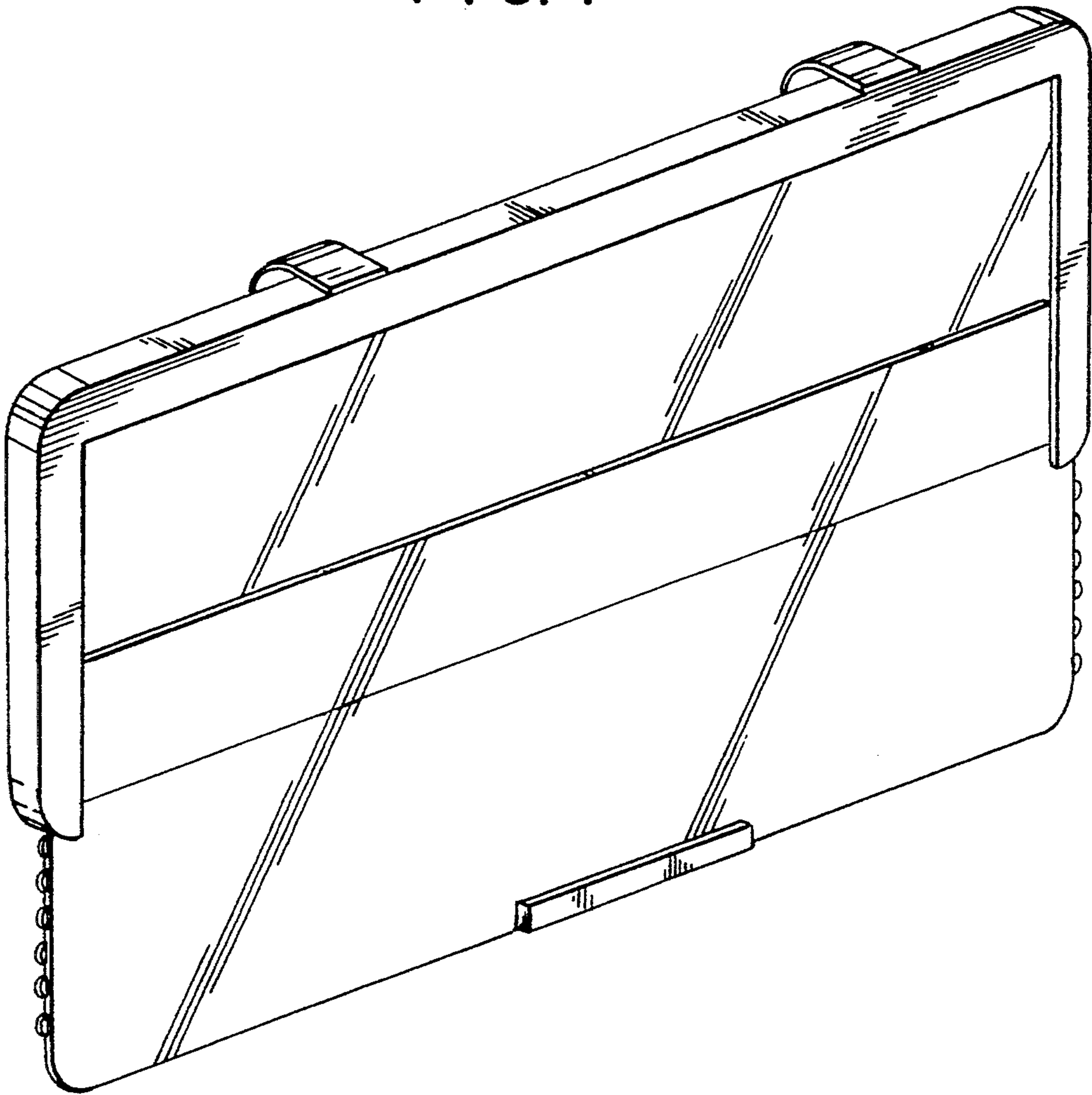


FIG. 2

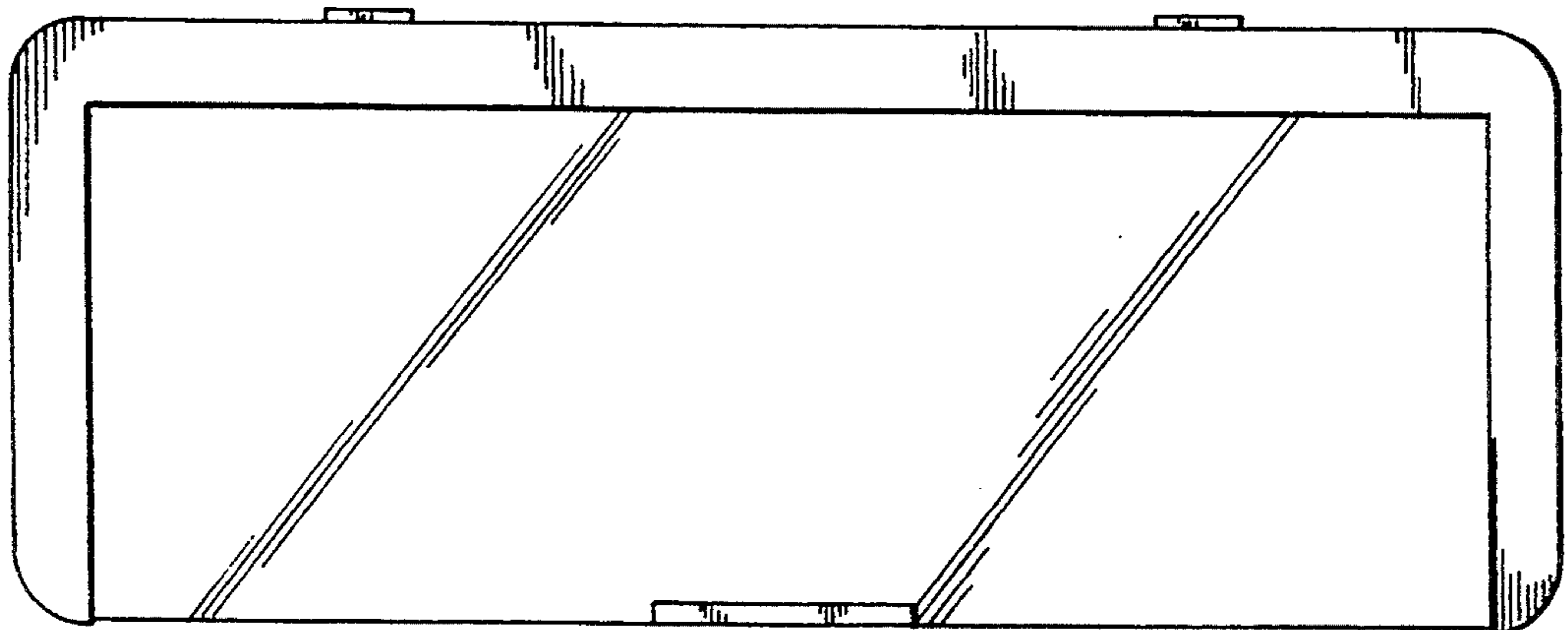


FIG. 3

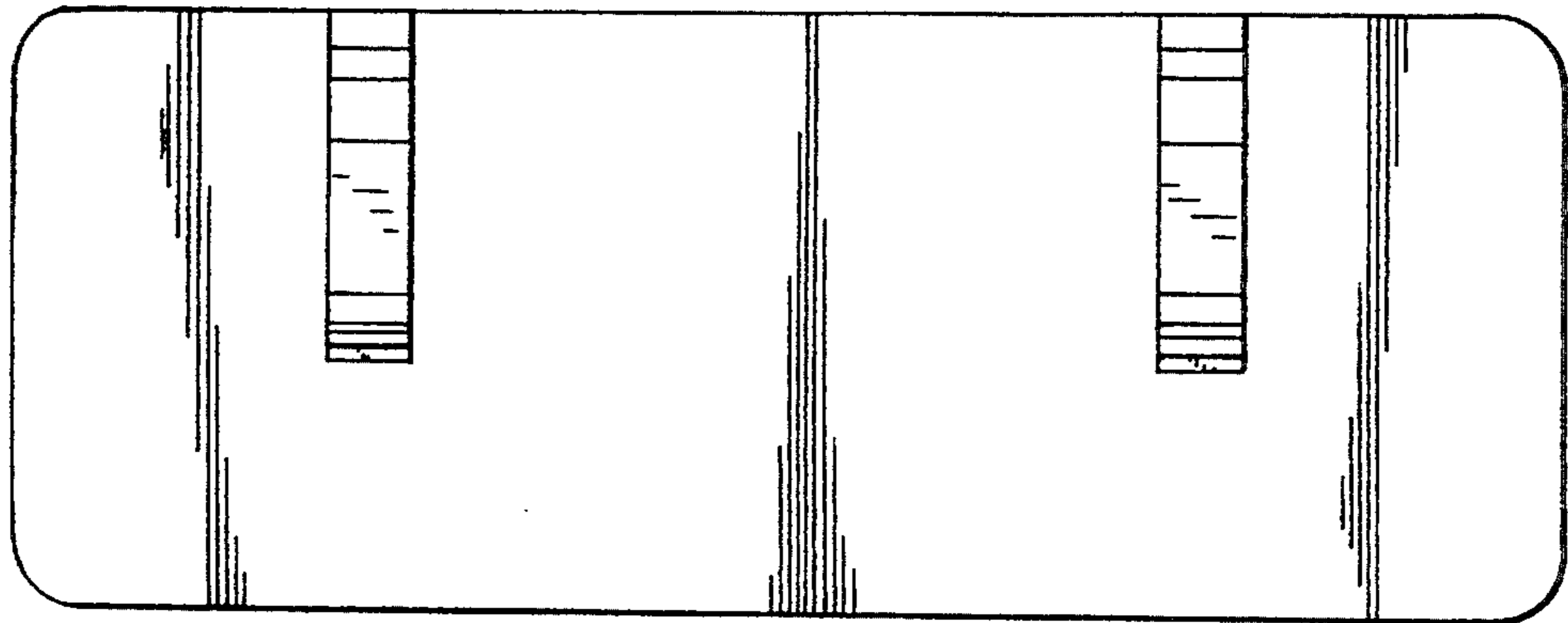


FIG. 4

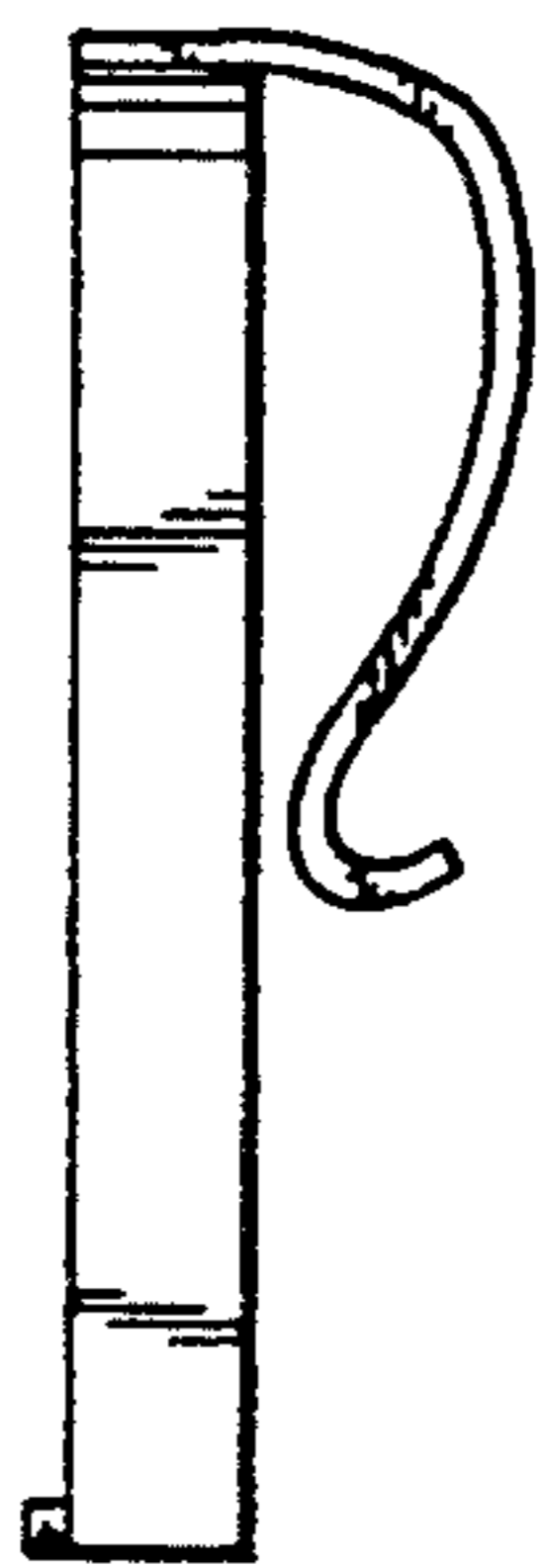


FIG. 5

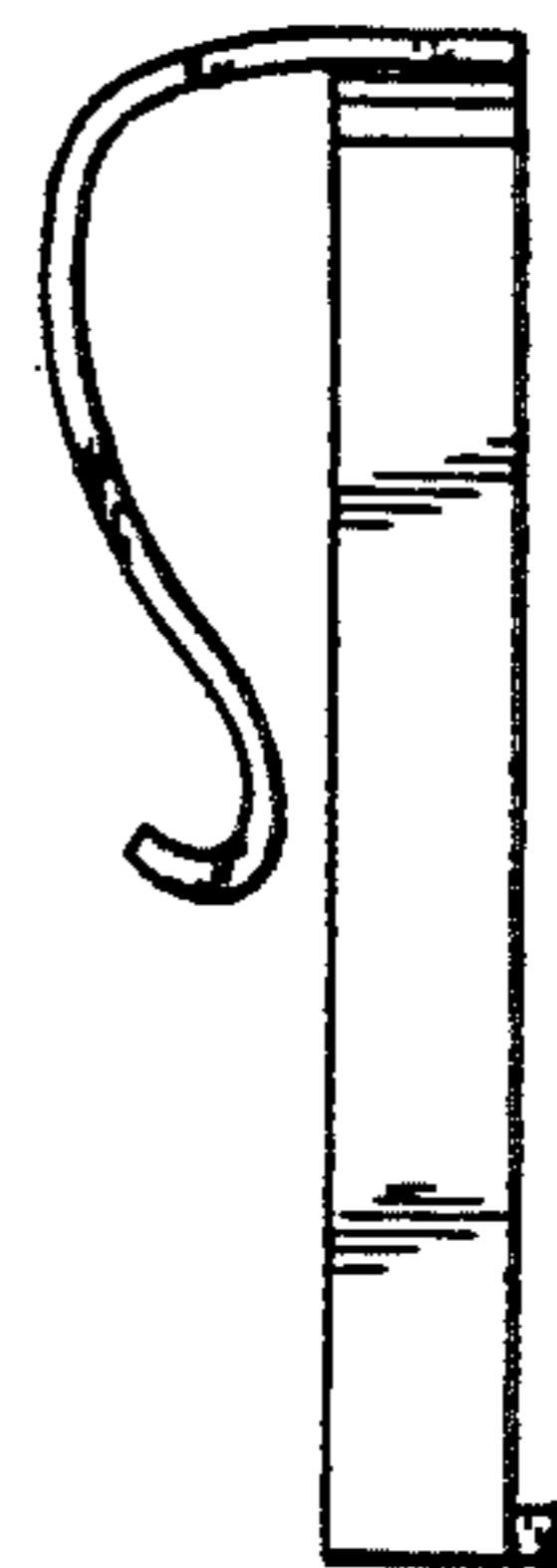


FIG. 6

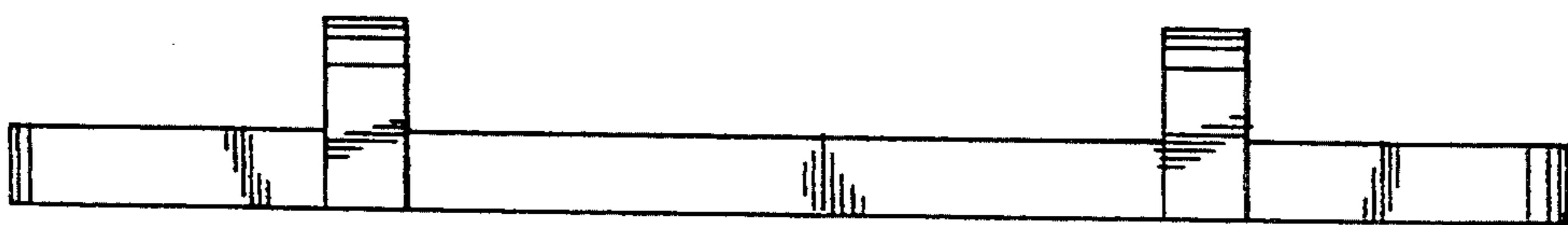


FIG. 7

