



US00D361965S

United States Patent [19]

[11] Patent Number: **Des. 361,965**

Clark

[45] Date of Patent: **** Sep. 5, 1995**

[54] **WHEELCHAIR-MOUNTED ARM RECEIVING GRIPPING STRAPS**

[56] **References Cited**

U.S. PATENT DOCUMENTS

1,984,855	12/1934	Zwierzina	297/411.22
5,165,123	11/1992	Colpron	297/DIG. 4
5,332,288	7/1994	Coates	297/411.21

Primary Examiner—Kay H. Chin
Attorney, Agent, or Firm—H. Jay Spiegel

[76] Inventor: **David M. Clark**, 3306 Hoyt Ave.,
Apartment 101, Everett, Wash.
98201-2323

[57] **CLAIM**

The ornamental design for wheelchair-mounted arm receiving gripping straps, as shown and described.

[**] Term: **14 Years**

DESCRIPTION

[21] Appl. No.: **31,908**

FIG. 1 shows a front view of the present invention;
FIG. 2 shows a rear view of the present invention;
FIG. 3 shows a side view of the present invention (the other side is identical); and,
FIG. 4 shows a perspective view of the present invention of two straps in the environment of intended use.

[22] Filed: **Nov. 28, 1994**

[52] U.S. Cl. **D12/133**

[58] Field of Search **D12/133, 131;**
297/DIG. 4, 411.21, 411.22, 411.2, 411.23,
411.24, 411.25, 411.26

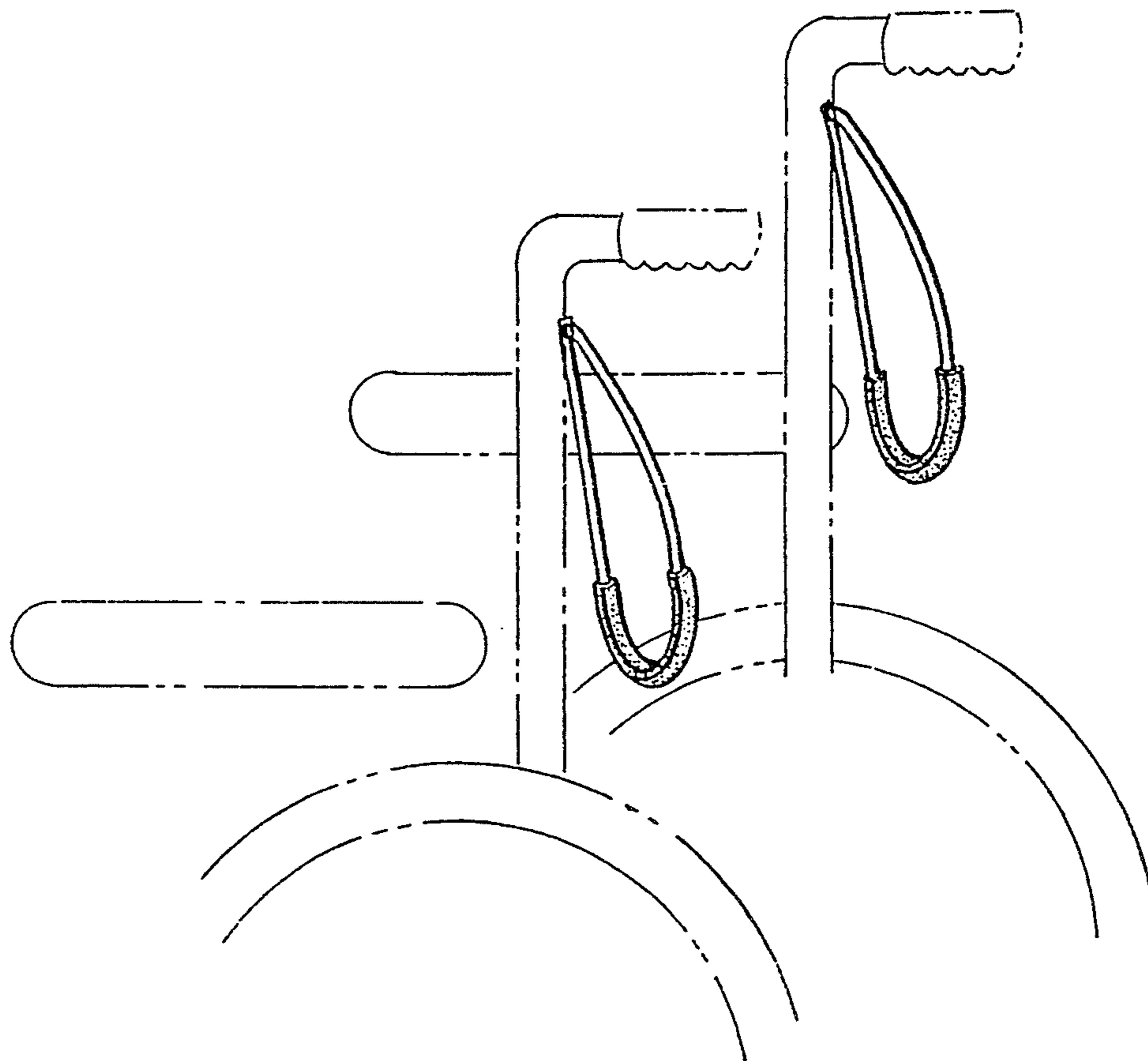


FIG. 1

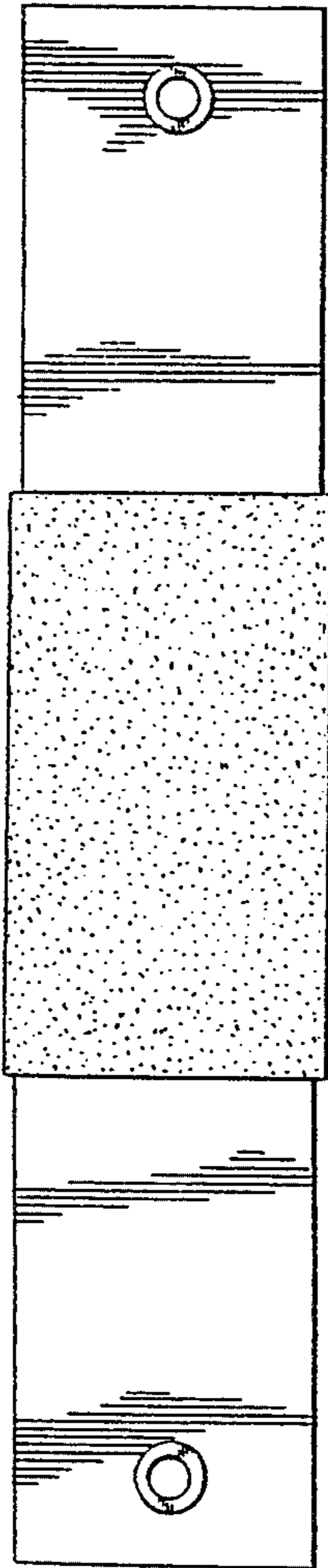


FIG. 2

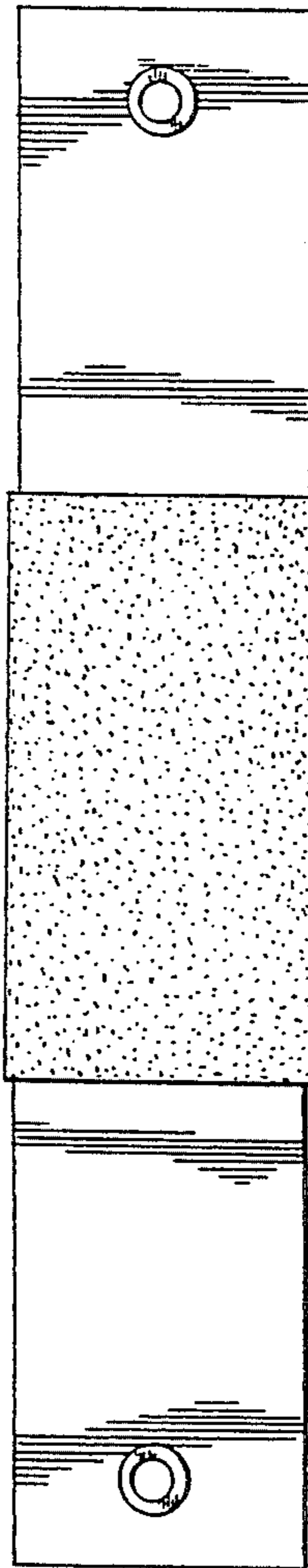


FIG. 3



FIG. 4

