



US00D361963S

United States Patent [19]

[11] Patent Number: **Des. 361,963**

Campbell

[45] Date of Patent: **** Sep. 5, 1995**

[54] **COMBINED TIE RING AND EXPANDER**

D. 123,077 10/1940 Craighead D11/202
D. 149,396 4/1948 Babin D11/5
4,542,537 9/1985 Plapp et al. D11/202

[76] Inventor: **Jerrold A. Campbell**, 8651
Mississauga Road, R.R. 10
Brampton, L6V 3N2, Ontario,
Canada

Primary Examiner—Ralf Seifert
Attorney, Agent, or Firm—Rogers & Scott

[**] Term: **14 Years**

[57] **CLAIM**

[21] Appl. No.: **27,497**

The ornamental design for a combined tie ring and expander, as shown and described.

[22] Filed: **Aug. 23, 1994**

DESCRIPTION

[52] U.S. Cl. **D11/202**

FIG. 1 is a perspective view showing the combined tie ring and expander separately;

[58] Field of Search D11/19-25,
D11/202, 205, 26-27, 45, 1-4; 63/2, 24;
2/152.1, 155-156

FIG. 2 is a similar view showing the tie ring located on the expander; and,

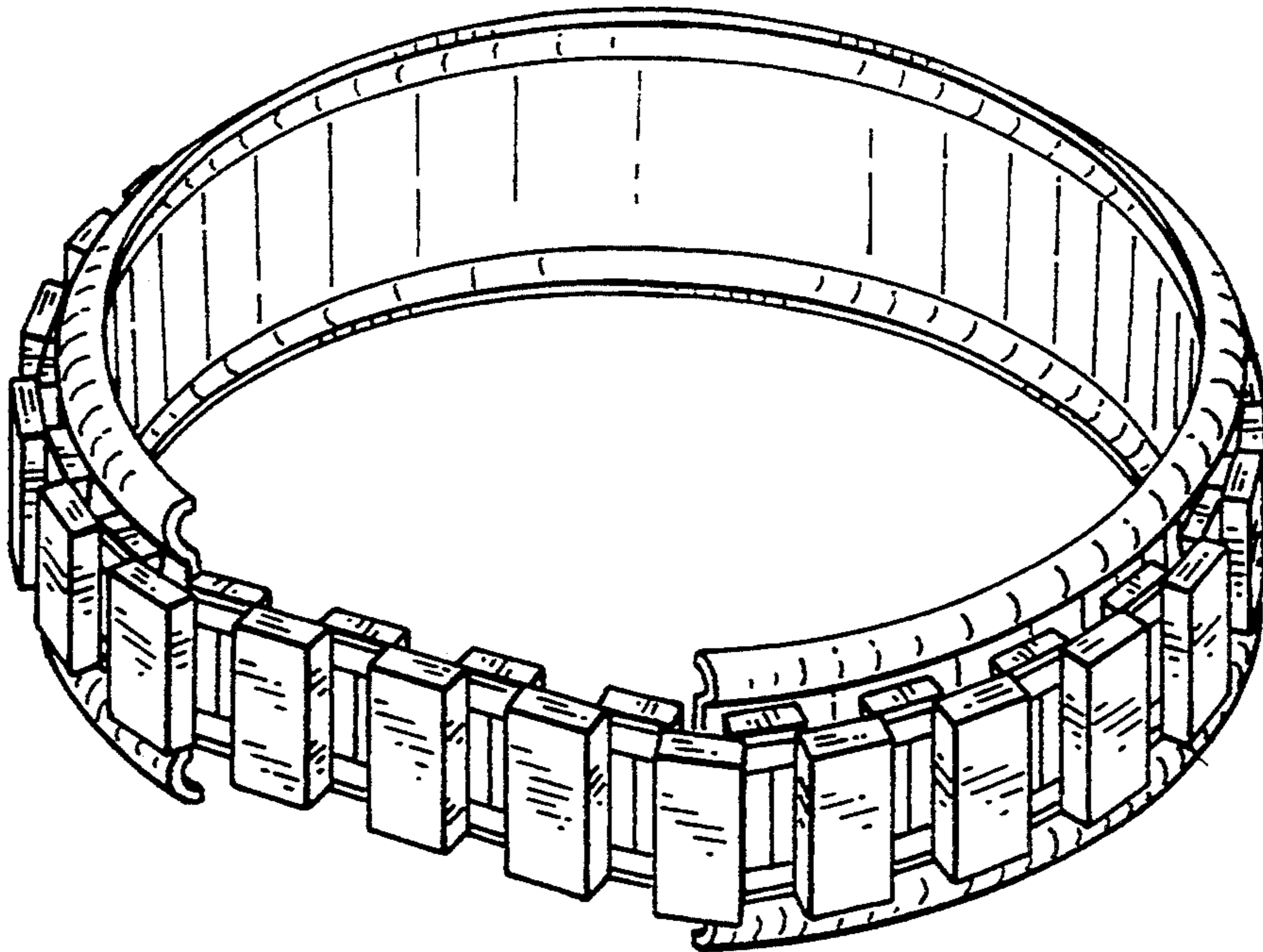
FIG. 3 is a front view of the tie ring also showing its intended location.

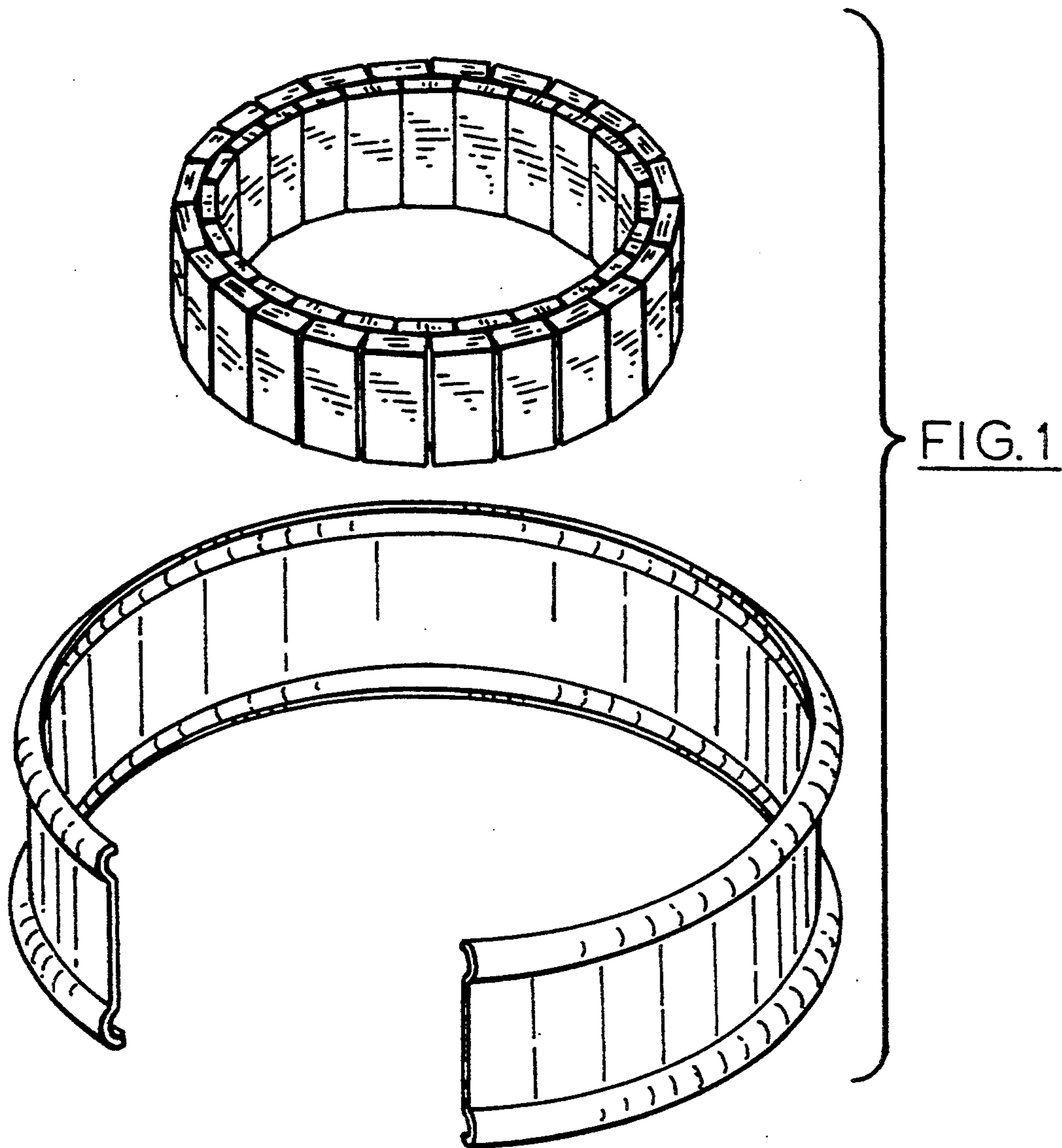
[56] **References Cited**

U.S. PATENT DOCUMENTS

D. 115,613 7/1939 Craighead D11/202

The broken line showing of a wearer and tie is for illustrative purposes only and forms no part of the claimed design.





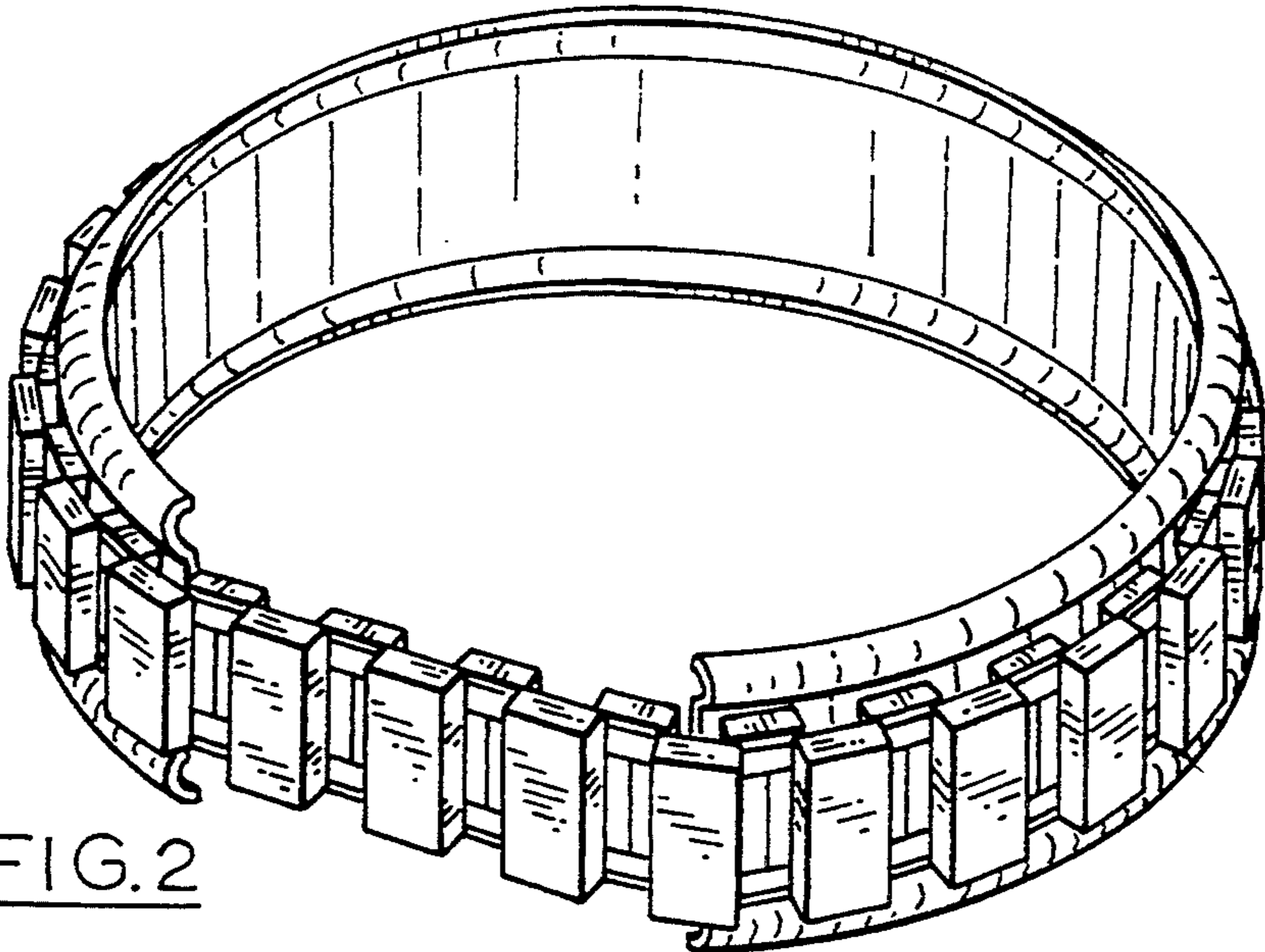


FIG. 2

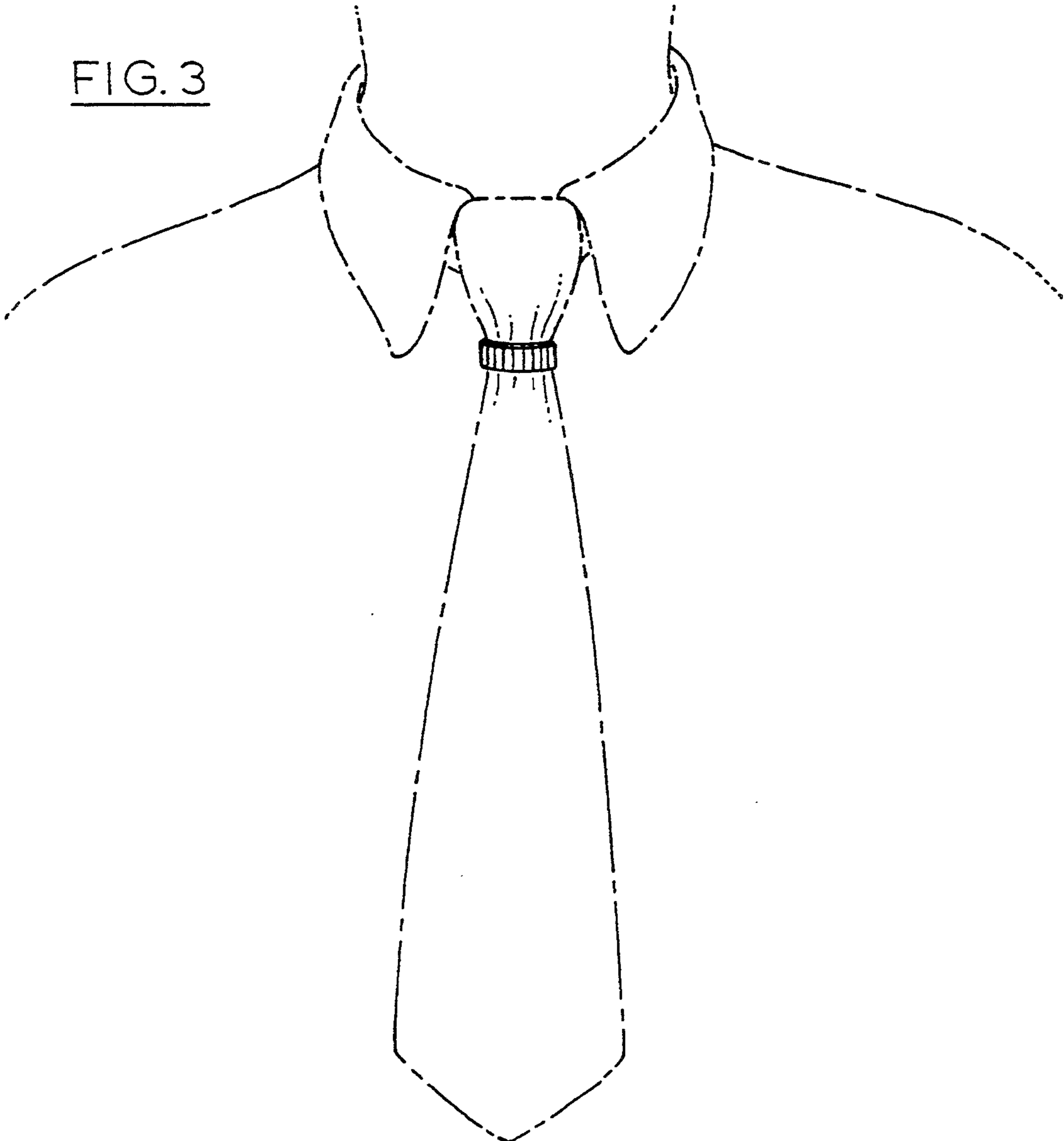


FIG. 3