



US00D361957S

# United States Patent [19]

[11] Patent Number: **Des. 361,957**

Weder et al.

[45] Date of Patent: **\*\* Sep. 5, 1995**

[54] **FLOWER POT COVER**

[75] Inventors: **Donald E. Weder; Joseph G. Straeter**, both of Highland, Ill.

[73] Assignee: **Highland Supply Corporation**, Highland, Ill.

[\*] Notice: The portion of the term of this patent subsequent to Apr. 21, 2005 has been disclaimed.

[\*\*] Term: **14 Years**

[21] Appl. No.: **807,896**

[22] Filed: **Dec. 16, 1991**

D. 292,562 11/1987 Weder et al. .... D11/164  
D. 292,563 11/1987 Weder et al. .... D11/164  
(List continued on next page.)

**FOREIGN PATENT DOCUMENTS**

1033163 3/1938 Australia ..... 229/922  
560532 4/1975 Switzerland .

**OTHER PUBLICATIONS**

Exhibit A-Speed Cover ® Brochure-The Simple Solution . . . , © 1989.  
(List continued on next page.)

*Primary Examiner*—Martie Thompson  
*Attorney, Agent, or Firm*—Dunlap & Codding

**Related U.S. Application Data**

[63] Continuation-in-part of Ser. No. 710,272, Jun. 4, 1991, which is a continuation-in-part of Ser. No. 617,454, Nov. 21, 1990, abandoned, Ser. No. 411,249, Sep. 22, 1989, Ser. No. 411,247, Sep. 22, 1989, and Ser. No. 411,245, Sep. 22, 1989.

[52] U.S. Cl. .... **D11/164; D11/143**

[58] Field of Search ..... **D11/143, 152, 153, 154, D11/155, 156, 164; 47/66, 72; 206/423; 215/100.5; 229/1.5, 4.5, 922; 248/27.8, 35.1, 542.6**

[56] **References Cited**

**U.S. PATENT DOCUMENTS**

- D. 47,800 9/1915 Pick .
- D. 132,559 5/1942 Sawyer ..... D11/153
- 209,788 11/1878 Affel .
- D. 254,659 4/1980 Karotseris ..... D11/143
- D. 287,950 1/1987 Weder et al. .... D11/143
- D. 289,024 3/1987 Vaughn ..... D11/164
- D. 289,982 5/1987 Weder et al. .... D11/164
- D. 292,182 10/1987 Weder et al. .... D11/164
- D. 292,183 10/1987 Weder et al. .... D11/164
- D. 292,184 10/1987 Weder et al. .... D11/164
- D. 292,185 10/1987 Weder et al. .... D11/164
- D. 292,186 10/1987 Weder et al. .... D11/164
- D. 292,187 10/1987 Weder et al. .... D11/164
- D. 292,188 10/1987 Weder et al. .... D11/164
- D. 292,189 10/1987 Weder et al. .... D11/164
- D. 292,190 10/1987 Weder et al. .... D11/164
- D. 292,191 10/1987 Weder et al. .... D11/164
- D. 292,561 11/1987 Weder et al. .... D11/164

[57] **CLAIM**

The ornamental design for a flower pot cover, as shown and described.

**DESCRIPTION**

FIG. 1 is a perspective view of our new flower pot cover design;

FIG. 2 is a reduced side elevational view thereof;

FIG. 3 is a reduced top plan view thereof;

FIG. 4 is a reduced bottom plan view thereof;

FIG. 5 is a reduced side elevational view of the design of FIG. 1, the only difference being the angle of the skirt;

FIG. 6 is a reduced side elevational view of the design of FIG. 1, the only difference being the angle of the skirt;

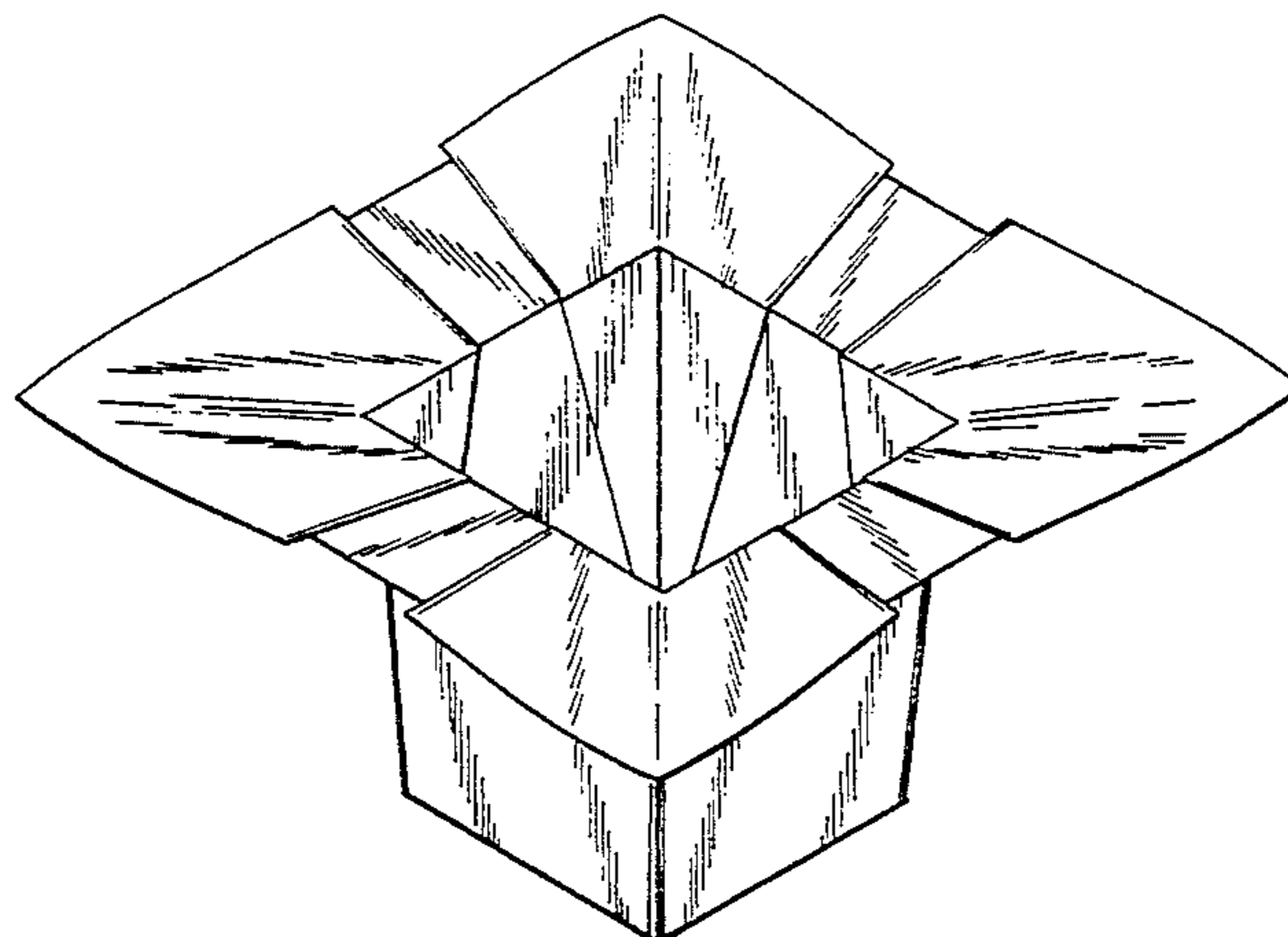
FIG. 7 is a side elevational view of a second embodiment of our new design;

FIG. 8 is a reduced side elevational view of the design of FIG. 7, the only difference being the angle of the skirt; and,

FIG. 9 is a reduced side elevational view of the design of FIG. 7, the only difference being the angle of the skirt.

The flower pot cover has no substantial thickness.

The characteristic feature of the design resides in the specific pleating arrangement comprised of the parallel disposition of the exterior folds in combination with the interior V-shaped folds, all as best shown in FIG. 1.



## U.S. PATENT DOCUMENTS

D. 293,222	12/1987	Weder et al.	D11/164	D. 319,991	9/1991	Weder	D11/164
D. 293,223	12/1987	Weder et al.	D11/164	378,610	2/1888	Murphy	229/1.5 B
D. 293,224	12/1987	Weder et al.	D11/164	D. 392,139	7/1989	Weder	D11/153
D. 293,304	12/1987	Weder et al.	D11/164	1,065,486	6/1913	Washburn	229/1.5 B
D. 293,305	12/1987	Weder et al.	D11/164	1,069,675	8/1913	Claussen	.
D. 293,306	12/1987	Weder et al.	D11/164	1,446,563	2/1923	Hughes	.
D. 293,307	12/1987	Weder et al.	D11/164	1,520,647	12/1924	Hennegan	.
D. 293,308	12/1987	Weder et al.	D11/164	1,632,347	6/1927	Pipkin	.
D. 293,774	1/1988	Weder et al.	D11/164	1,868,853	7/1932	Sievers	.
D. 293,775	1/1988	Weder et al.	D11/164	1,924,926	8/1933	Gray	.
D. 296,535	7/1988	Weder et al.	D11/149	1,951,642	3/1934	Augustin et al.	47/34
D. 297,422	8/1988	Weder et al.	D11/164	2,054,934	9/1936	Graffenberger	229/1.5 B
D. 298,017	10/1988	Weder et al.	D11/164	2,102,510	12/1937	Cecil, II	229/1.5 B
D. 301,565	6/1989	Weder	D11/152	2,302,259	11/1942	Rothfuss	41/10
D. 302,253	7/1989	Weder	D11/153	2,355,559	8/1944	Renner	229/8
D. 302,254	7/1989	Weder	D11/153	2,482,981	9/1949	Kamrass	41/13
D. 302,404	7/1989	Weder	D11/153	2,570,954	10/1951	Kasman	65/53
D. 302,405	7/1989	Weder	D11/155	2,967,652	1/1961	Canfield et al.	229/5.5
D. 302,406	7/1989	Weder	D11/155	3,022,605	2/1962	Reynolds	47/58
D. 302,407	7/1989	Weder	D11/155	3,232,469	2/1966	Piazzze	215/38
D. 303,759	10/1989	Mileos	D9/306	3,271,922	9/1966	Wallerstein et al.	53/3
D. 303,775	10/1989	Weder	D11/155	3,488,022	1/1970	Vittori	248/152
D. 313,376	1/1991	Weder	D11/164	3,542,616	11/1970	Cain et al.	156/224
D. 313,573	1/1991	Weder et al.	D11/164	3,820,684	6/1974	Harrison	206/520
D. 313,574	1/1991	Weder et al.	D11/164	3,962,593	6/1976	Crawford	428/40
D. 313,575	1/1991	Weder et al.	D11/164	4,043,077	8/1977	Stonehocker	47/66
D. 313,576	1/1991	Weder	D11/164	4,118,890	10/1978	Shore	47/28
D. 314,732	2/1991	Weder	D11/164	4,170,618	10/1979	Adams	264/101
D. 315,534	3/1991	Weder et al.	D11/164	4,216,620	8/1980	Weder et al.	47/72
D. 315,878	4/1991	Weder et al.	D11/164	4,300,312	11/1981	Weder et al.	47/72
D. 315,879	4/1991	Weder et al.	D11/164	4,408,644	10/1983	Svantesson	150/55
D. 315,880	4/1991	Weder et al.	D11/164	4,413,725	11/1983	Bruno et al.	206/45.33
D. 315,881	4/1991	Weder et al.	D11/164	4,508,223	4/1985	Catranbone	206/423
D. 315,882	4/1991	Weder	D11/164	4,712,725	12/1987	Moore	229/8
D. 315,883	4/1991	Weder	D11/164	4,733,521	3/1988	Weder et al.	53/580
D. 316,060	4/1991	Weder	D11/164	4,773,183	9/1988	Weder et al.	47/72
D. 316,061	4/1991	Weder	D11/164	4,795,601	1/1989	Cheng	264/138
D. 316,062	4/1991	Weder et al.	D11/164	4,813,862	3/1989	Bowers et al.	425/87
D. 316,837	5/1991	Weder et al.	D11/164	4,835,834	6/1989	Weder	29/525
D. 316,838	5/1991	Weder et al.	D11/164				
D. 316,985	5/1991	Weder	D11/164				
D. 317,424	6/1991	Weder	D11/164				
D. 317,582	6/1991	Weder	D11/164				
D. 317,583	6/1991	Weder et al.	D11/164				
D. 318,029	7/1991	Weder	D11/164				
D. 318,030	7/1991	Weder et al.	D11/164				
D. 318,635	7/1991	Weder et al.	D11/164				
D. 319,034	8/1991	Weder et al.	D11/164				
D. 319,417	8/1991	Weder et al.	D11/164				

## OTHER PUBLICATIONS

Exhibit A. Curtis Wagner Co., Inc., Houston Tex., shows thick, stiff shiny red plastic pot cover with large scalloped border.

Exhibit B. Jacobson Pot Cover Company of Scranton, Pennsylvania advertising literature. Date of first use unknown.

Exhibit C. Photograph of pot cover, manufacturer un-

(List continued on next page.)

OTHER PUBLICATIONS

known, but very similar to #C21 on Exhibit B (Jacobson literature). Date unknown.

Exhibit D. Photocopy of photo of pot cover ("Platform Pot Dresser") made by John Raisen Corp., San Francisco, Calif. Date of first use unknown.

Exhibit E. Photograph of 2-part pot cover system made by Floral Decor, subsidiary of John Henry Co., Lansing Mich. Date unknown.

Exhibit F. Photo of pot cover made by a Holland company (K.P.I.). Date of first public use believed to be late 1984.

Exhibit G. "The Glass of Frederick Carder", copyright 1971 by P. V. Gardner, showing various styles of glass basket-like vases or containers.

Exhibit H. "Speed Cover ®" brochure, published in

1983 by Applicants, showing various pot covers for sale.

Exhibit I. "Speed Cover ®" brochure, published in 1983 by Applicants, showing various pot covers for sale.

Exhibit J. Item published in 1936 by Gellman Bros., Minneapolis, Minn. Shows an assortment of paper hats.

Exhibit K. Photo of various other flower pot wrapping, sold in rolls of sheets and used in the floral industry for years. Date unknown.

Exhibit L. Photo of pot cover made of woven straw--like material. Date unknown.

Exhibit M. Photo of basket-type pot cover used in the floral industry. Date unknown.

Exhibit N. "Speed Cover ®" brochure, published in 1984 by Applicants, showing various pot covers for sale.

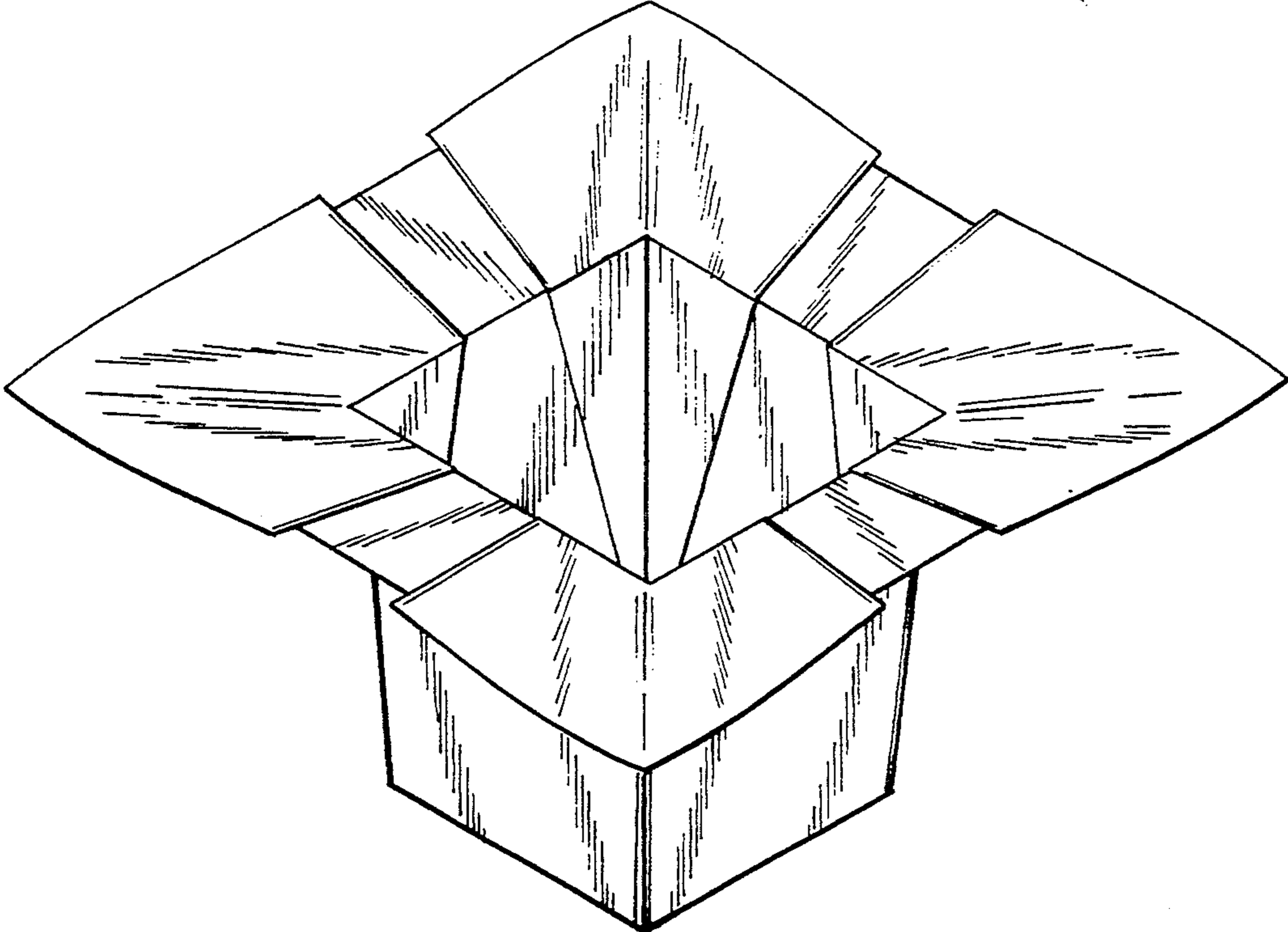


FIG. 1

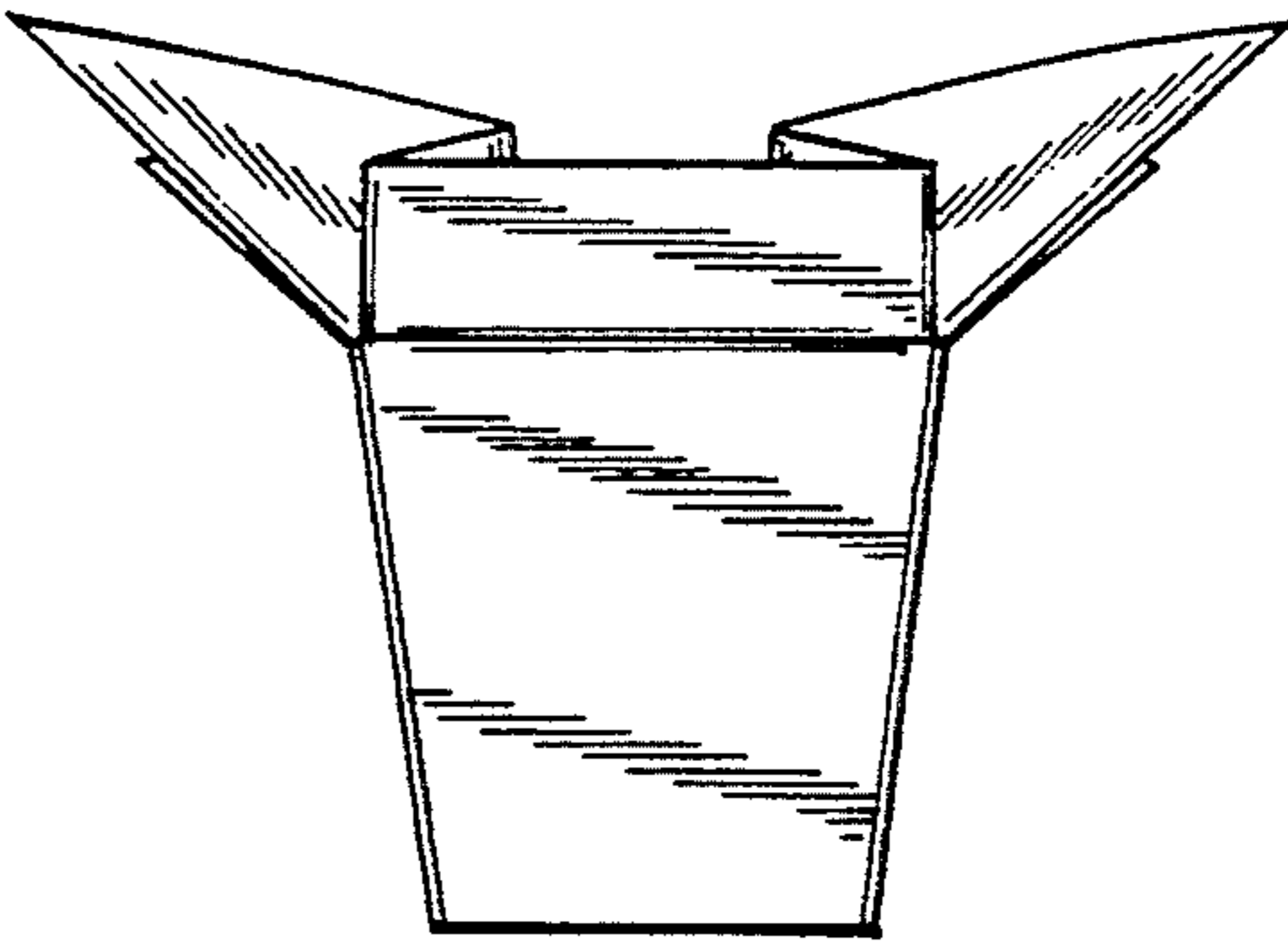


FIG. 2

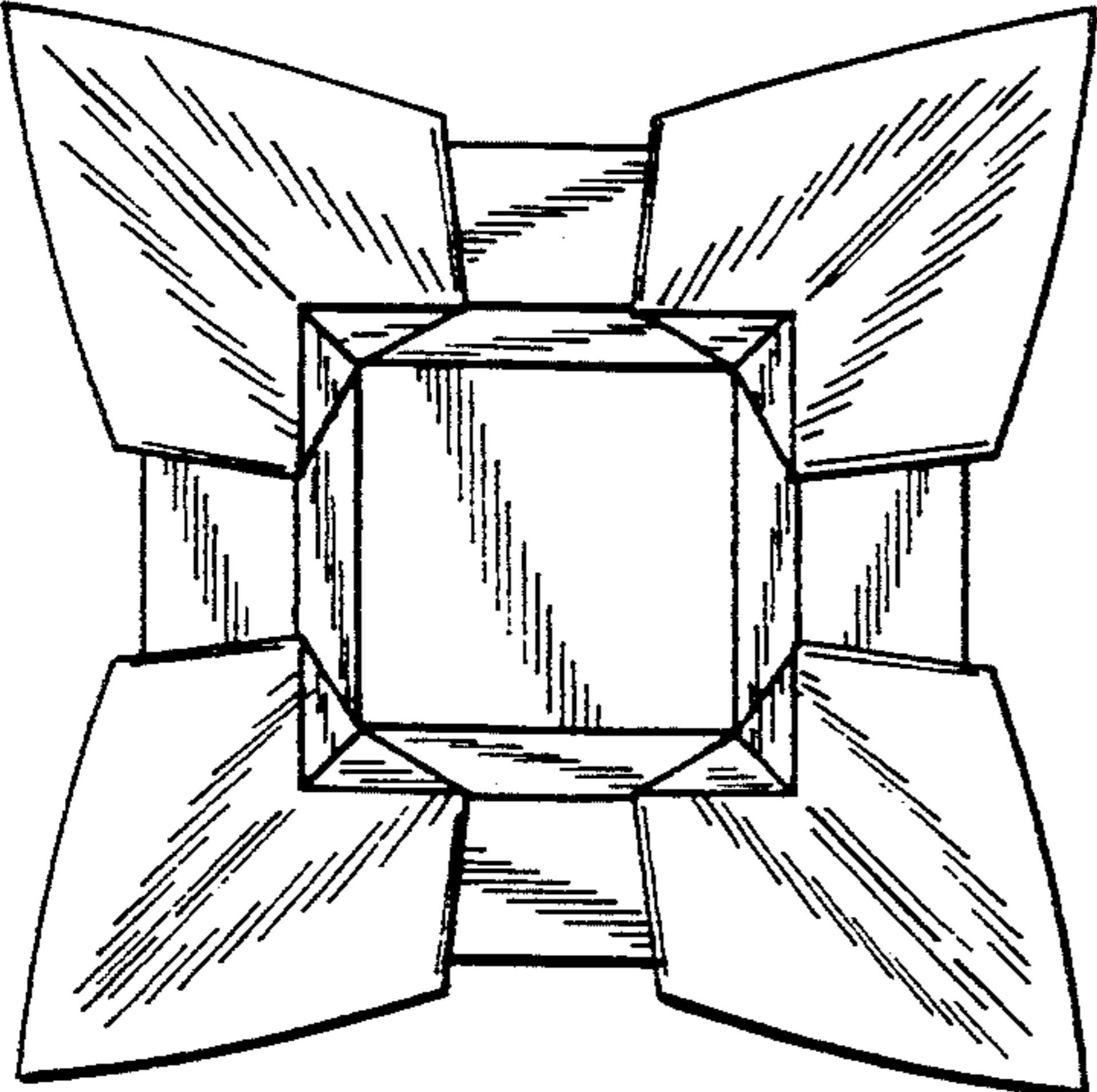


FIG. 3

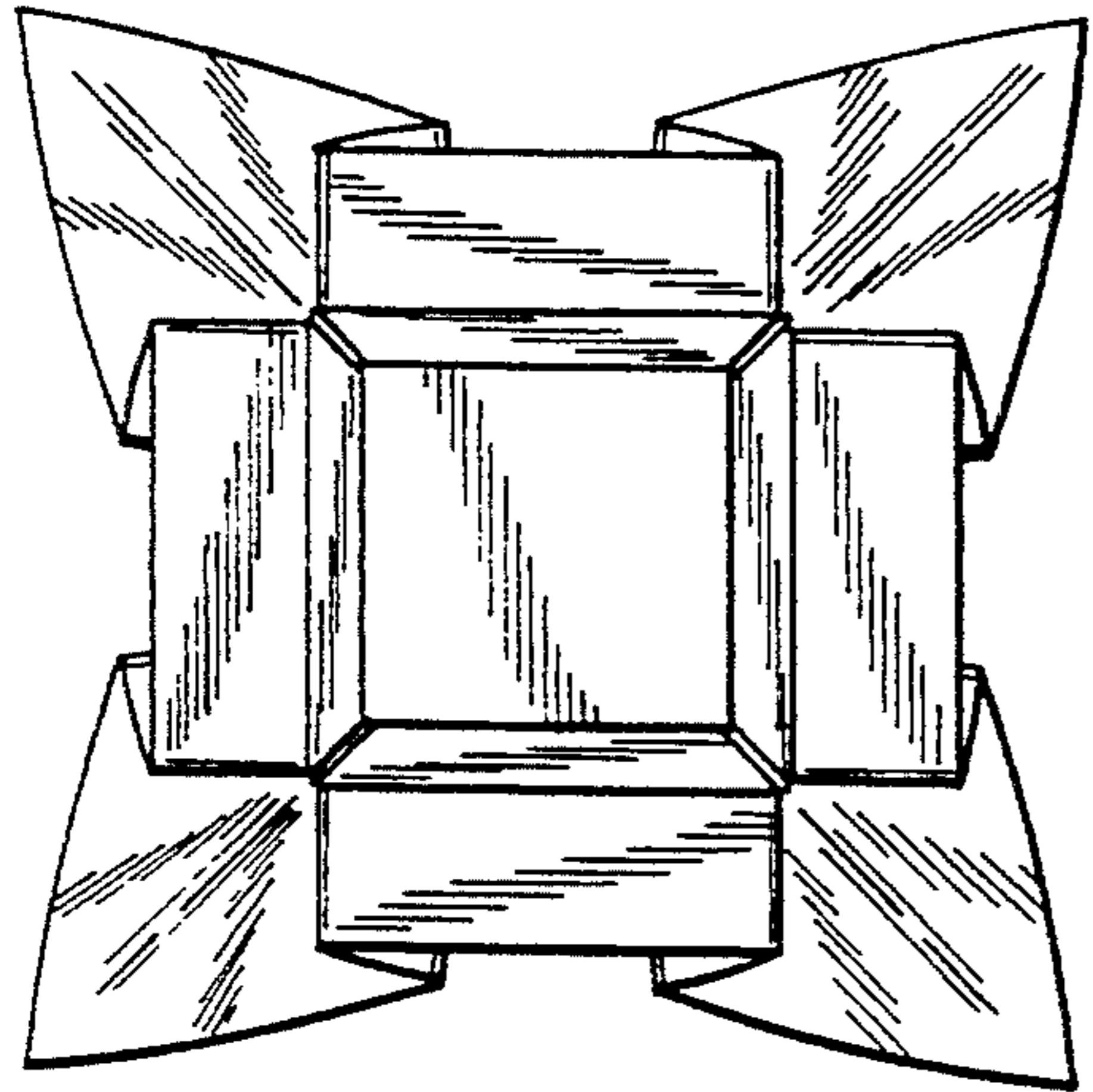


FIG. 4

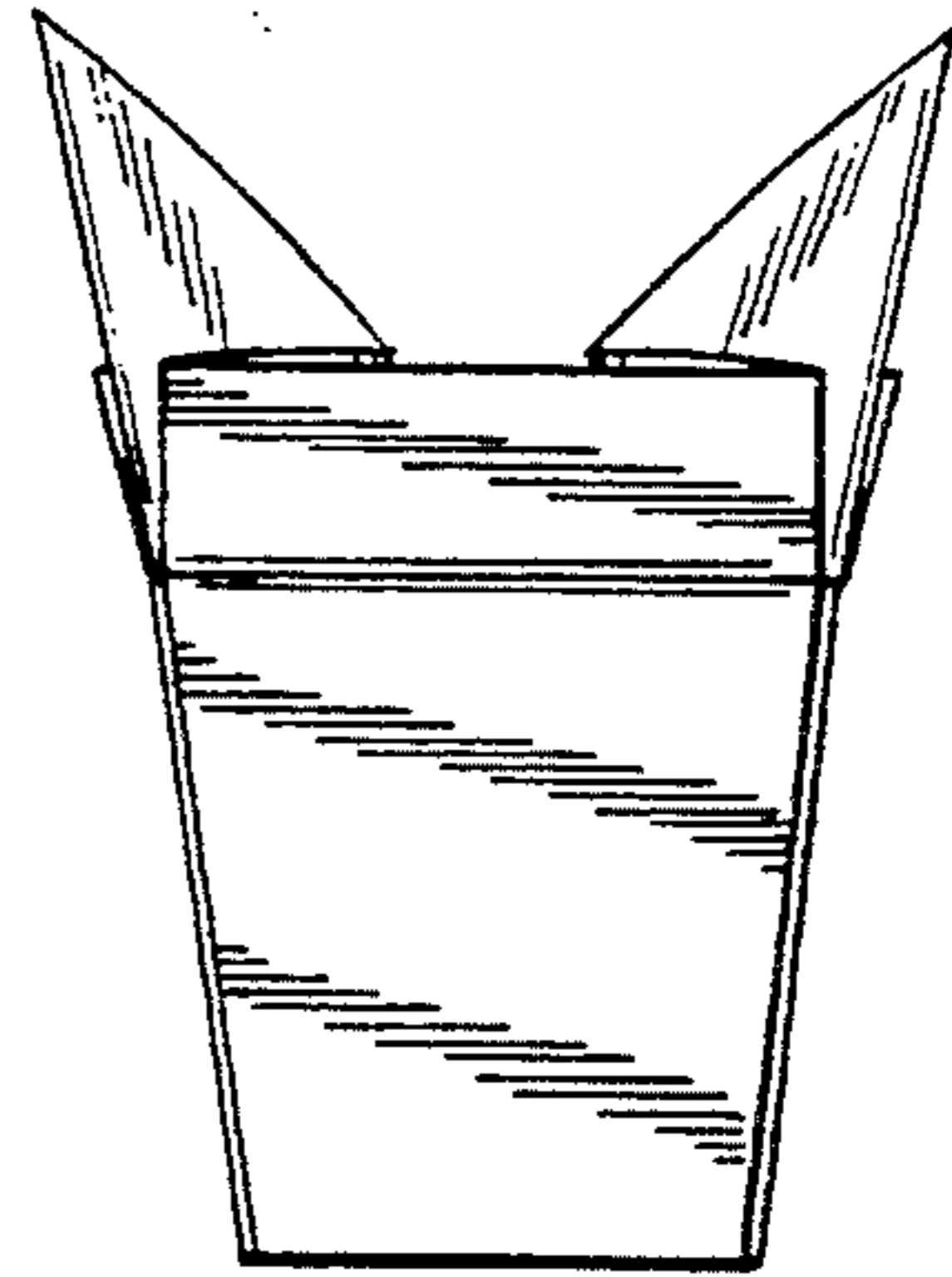


FIG. 5

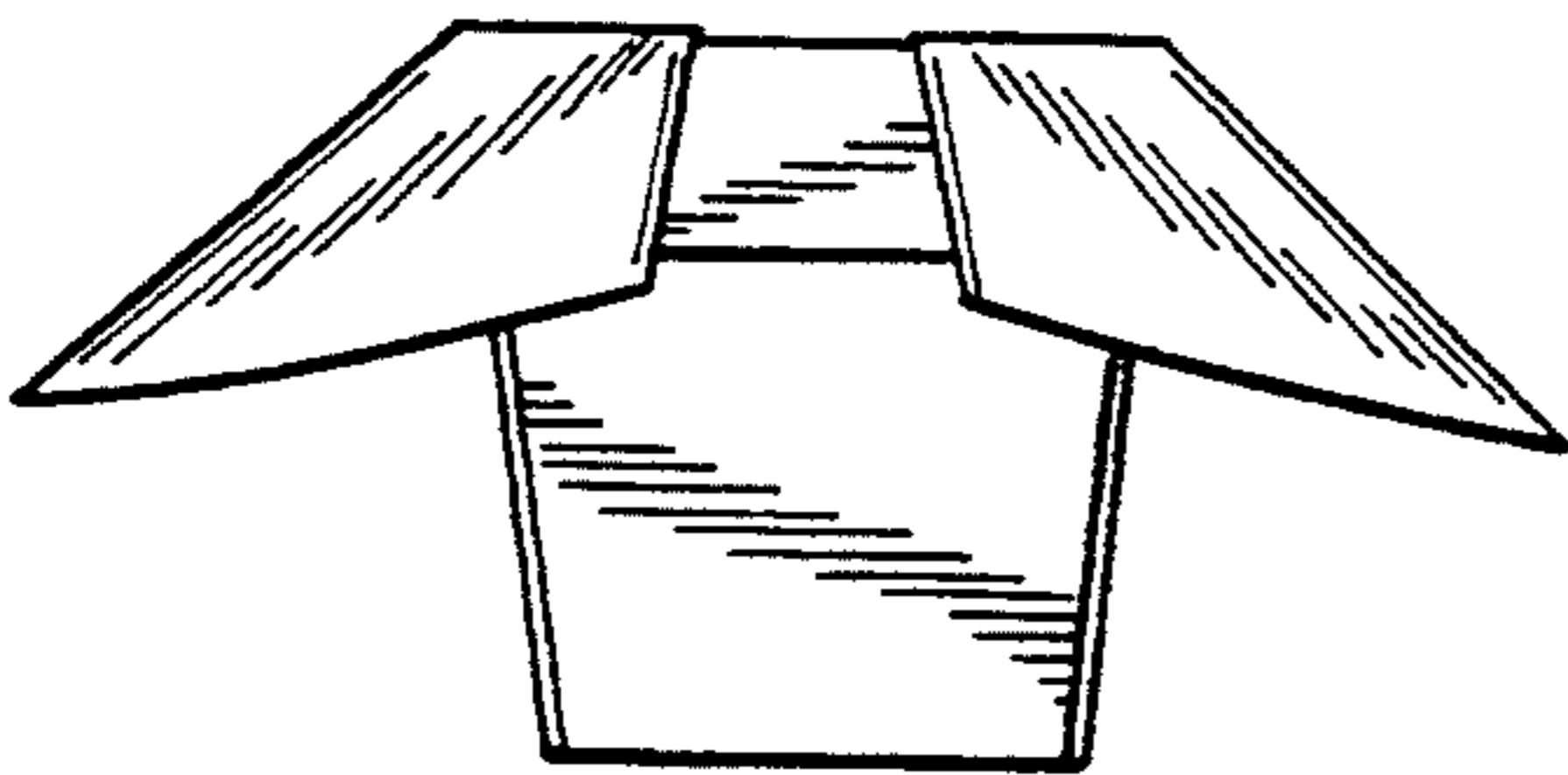


FIG. 6

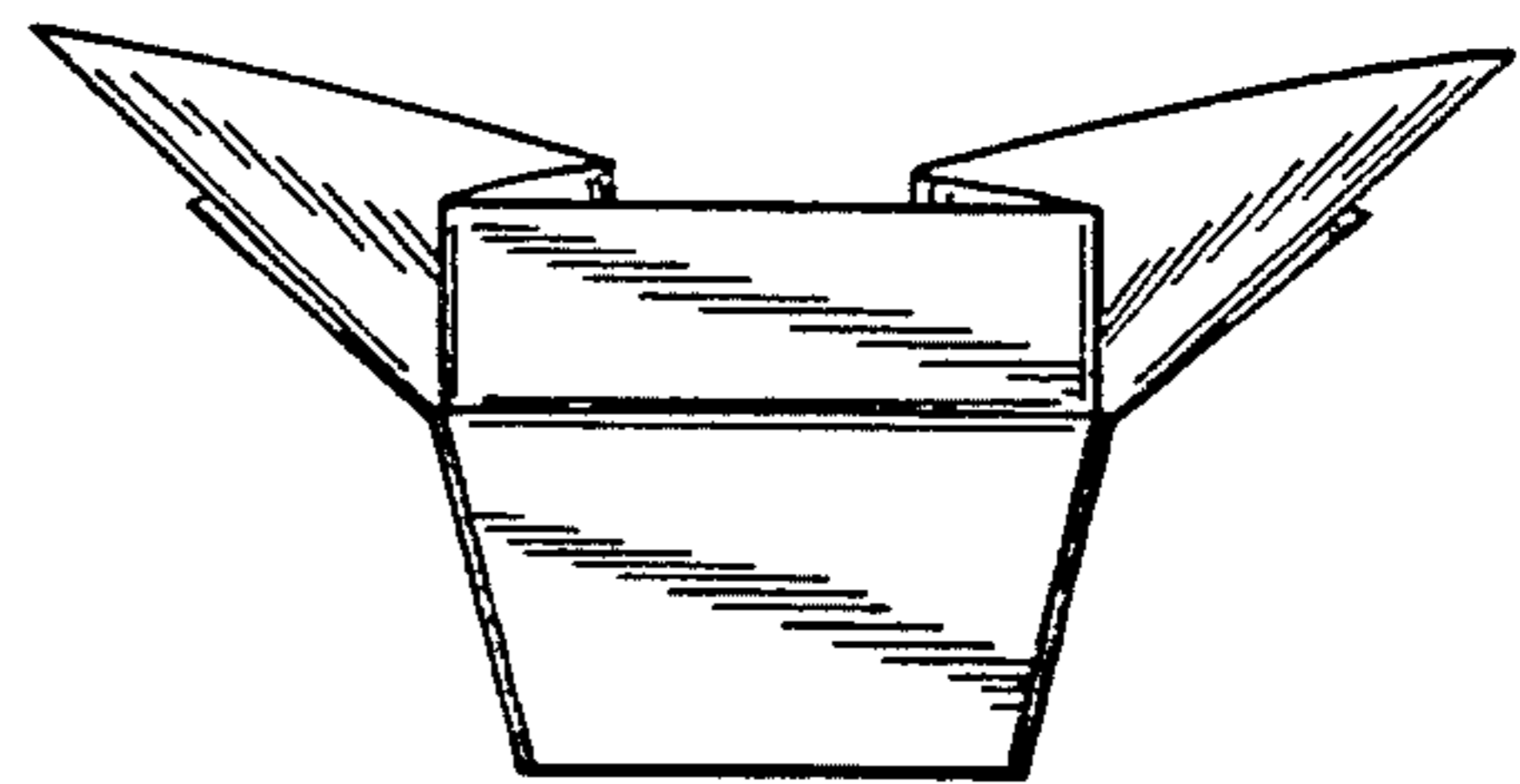


FIG. 7

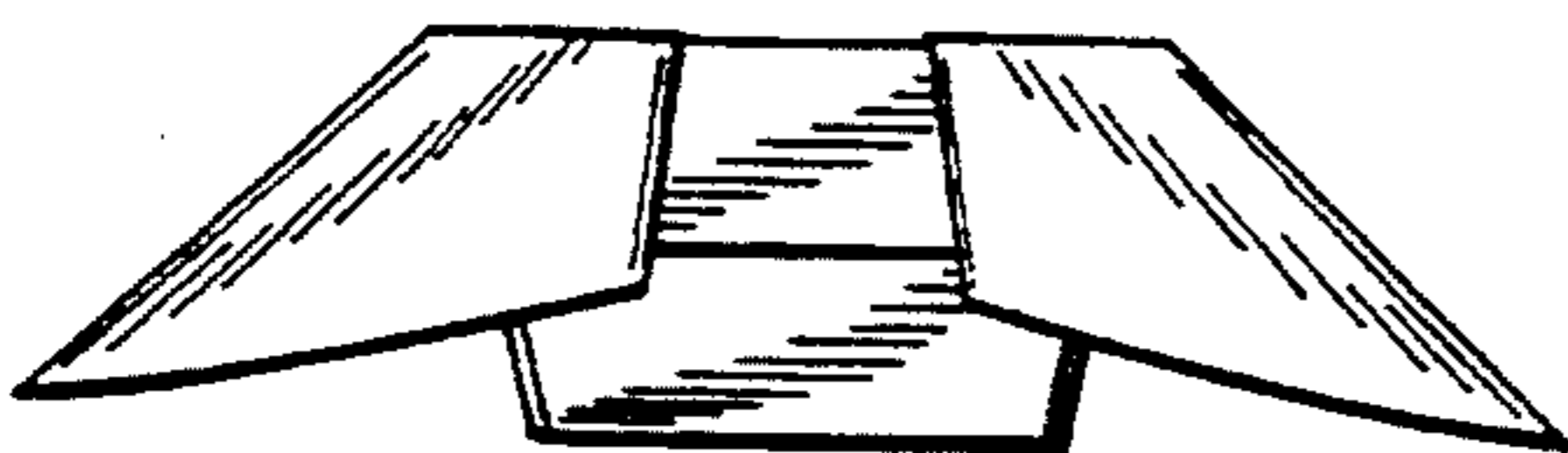


FIG. 8

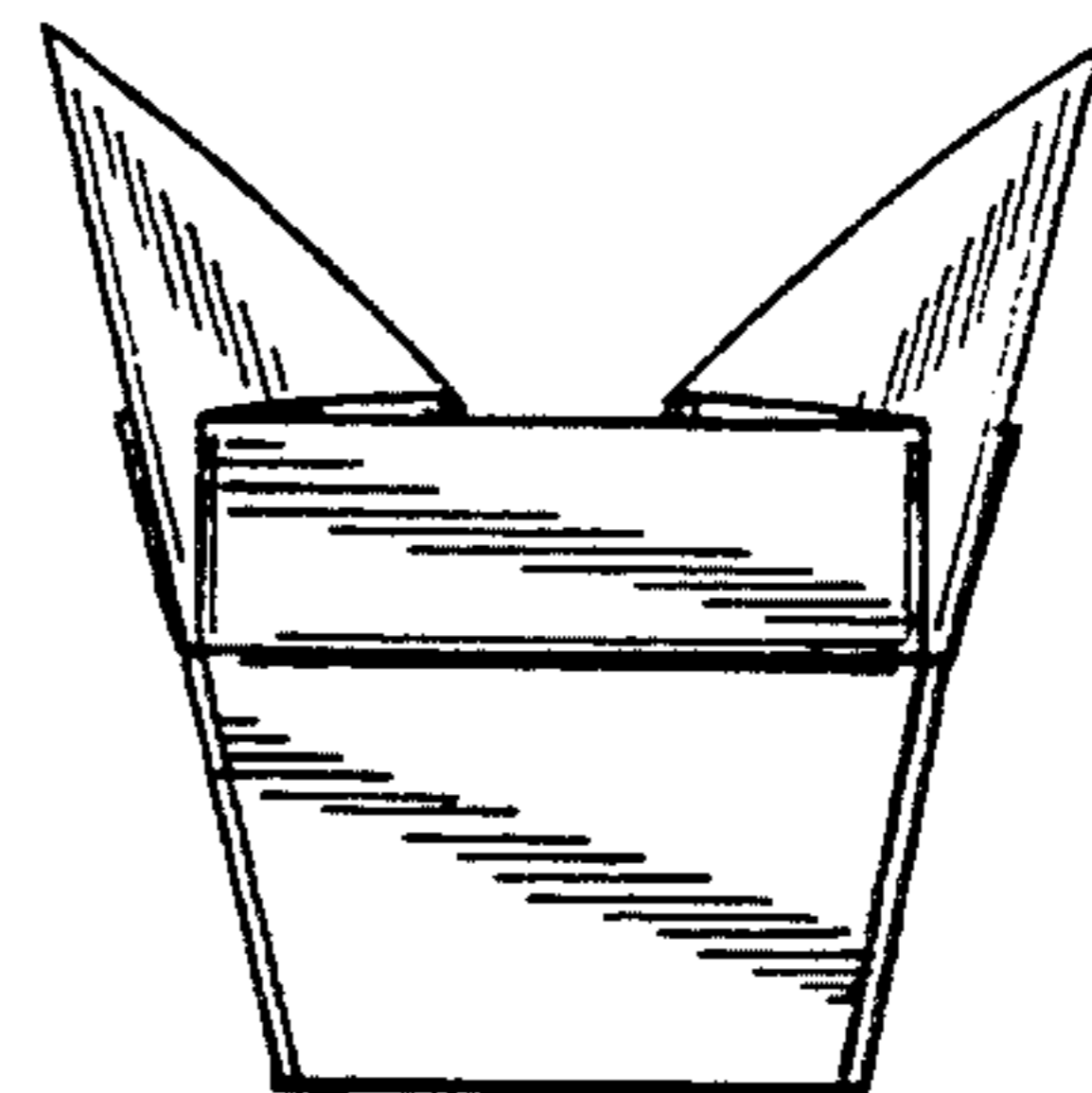


FIG. 9

UNITED STATES PATENT AND TRADEMARK OFFICE  
**CERTIFICATE OF CORRECTION**

PATENT NO. : Des. 361,957  
DATED : September 5, 1995  
INVENTOR(S) : Weder et al.

It is certified that error appears in the above-identified patent and that said Letters Patent is hereby corrected as shown below: References Cited page 2

Page 2, under U.S. PATENT DOCUMENTS, please delete "D. 392,139", and substitute therefor --D. 302,139--.

Page 2, under U.S. PATENT DOCUMENTS, please delete '3,962,593', and substitute therefor --3,962,503--.

Page 2, under U.S. PATENT DOCUMENTS, please delete '4,773,183', and substitute therefor --4,773,182--.

Page 3, under OTHER PUBLICATIONS, under Exhibit K, please delete 'wrapping', and substitute therefor --wrappings--.

Page 3, under OTHER PUBLICATIONS, under Exhibit N, after '1984', please delete "bt", and substitute therefor --by--.

Signed and Sealed this

Twenty-eighth Day of November 1995

Attest:



BRUCE LEHMAN

Attesting Officer

Commissioner of Patents and Trademarks