



US00D361956S

United States Patent [19]
Moore

[11] **Patent Number: Des. 361,956**
[45] **Date of Patent: ** Sep. 5, 1995**

[54] **PLANT CONTAINER**
[75] **Inventor: Richard L. Moore, Fairhope, Ala.**
[73] **Assignee: The Lerio Corporation, Mobile, Ala.**
[**] **Term: 14 Years**
[21] **Appl. No.: 19,326**
[22] **Filed: Feb. 28, 1994**
[52] **U.S. Cl. D11/152; D9/500;
D9/428**
[58] **Field of Search D11/152; D9/500**

4,938,680 7/1990 Guarriello et al. .
4,972,963 11/1990 Guarriello et al. .
5,051,084 9/1991 Guarriello et al. .
5,209,891 5/1993 Guarriello et al. .
5,227,114 7/1993 Moore .
5,253,996 10/1993 Moore .

Primary Examiner—Alan P. Douglas
Assistant Examiner—Cathron B. Matta
Attorney, Agent, or Firm—Roylance, Abrams, Berdo & Goodman

[56] **References Cited**

U.S. PATENT DOCUMENTS

Re. 23,564 10/1952 Hobson .
D. 266,398 10/1982 Haag, Sr. D9/500
D. 338,636 8/1993 Moore D11/152
D. 346,328 4/1994 Labrie D9/500
3,291,361 12/1966 Commeyras .
3,949,046 4/1976 Procter .
4,022,345 5/1977 Butz .
4,409,176 10/1983 Jakobsen et al. .
4,616,762 10/1986 Alexander .

[57] **CLAIM**

The ornamental design for a plant container, as shown and described.

DESCRIPTION

FIG. 1 is a front perspective view of a container showing my new design;
FIG. 2 is a bottom plan view of the container;
FIG. 3 is a top plan view of the container;
FIG. 4 is a front side elevational view of the container; the rear, left and right side elevational views being identical; and,
FIG. 5 is a partial cross-sectional side view of the container.

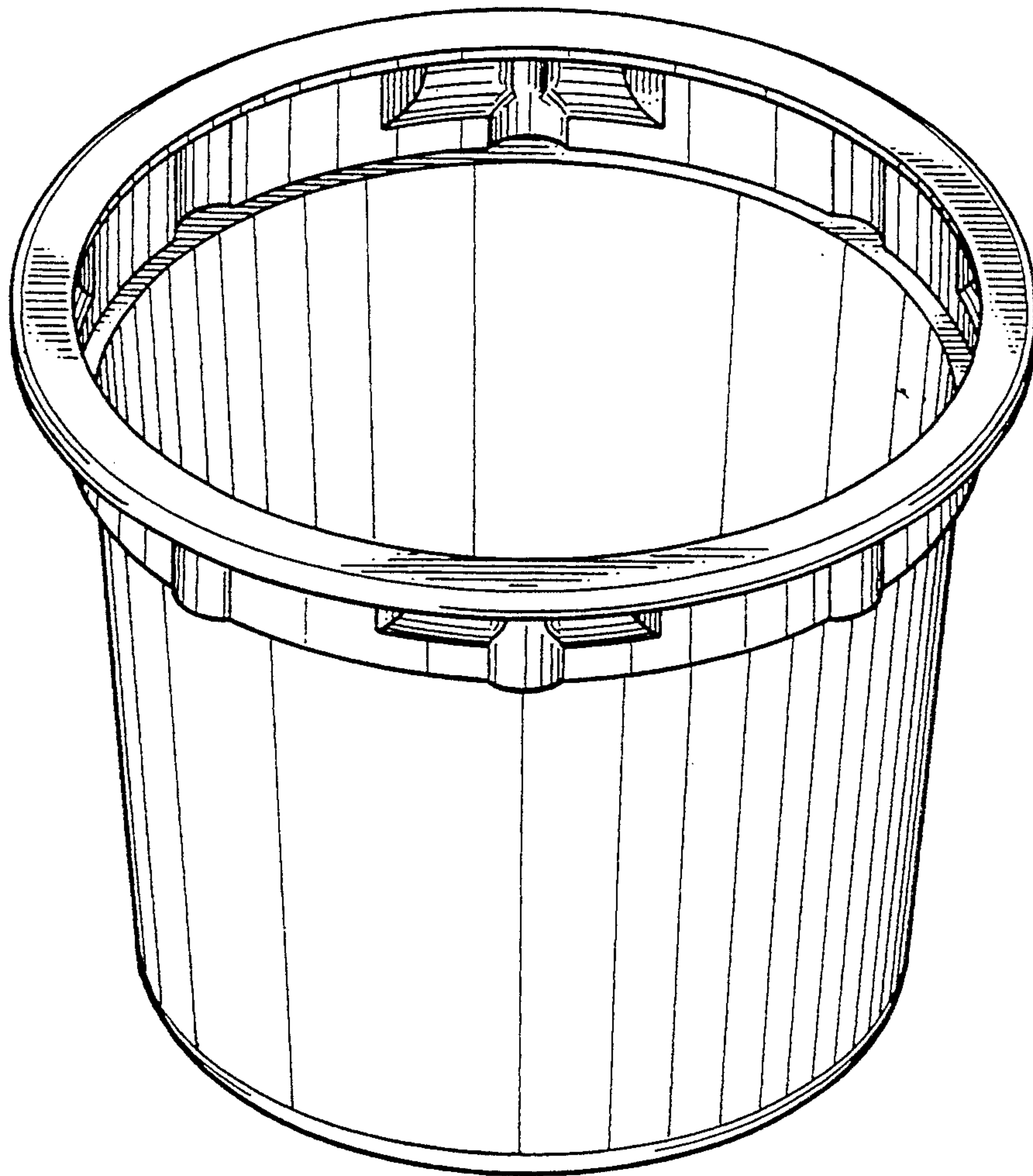


FIG. 1

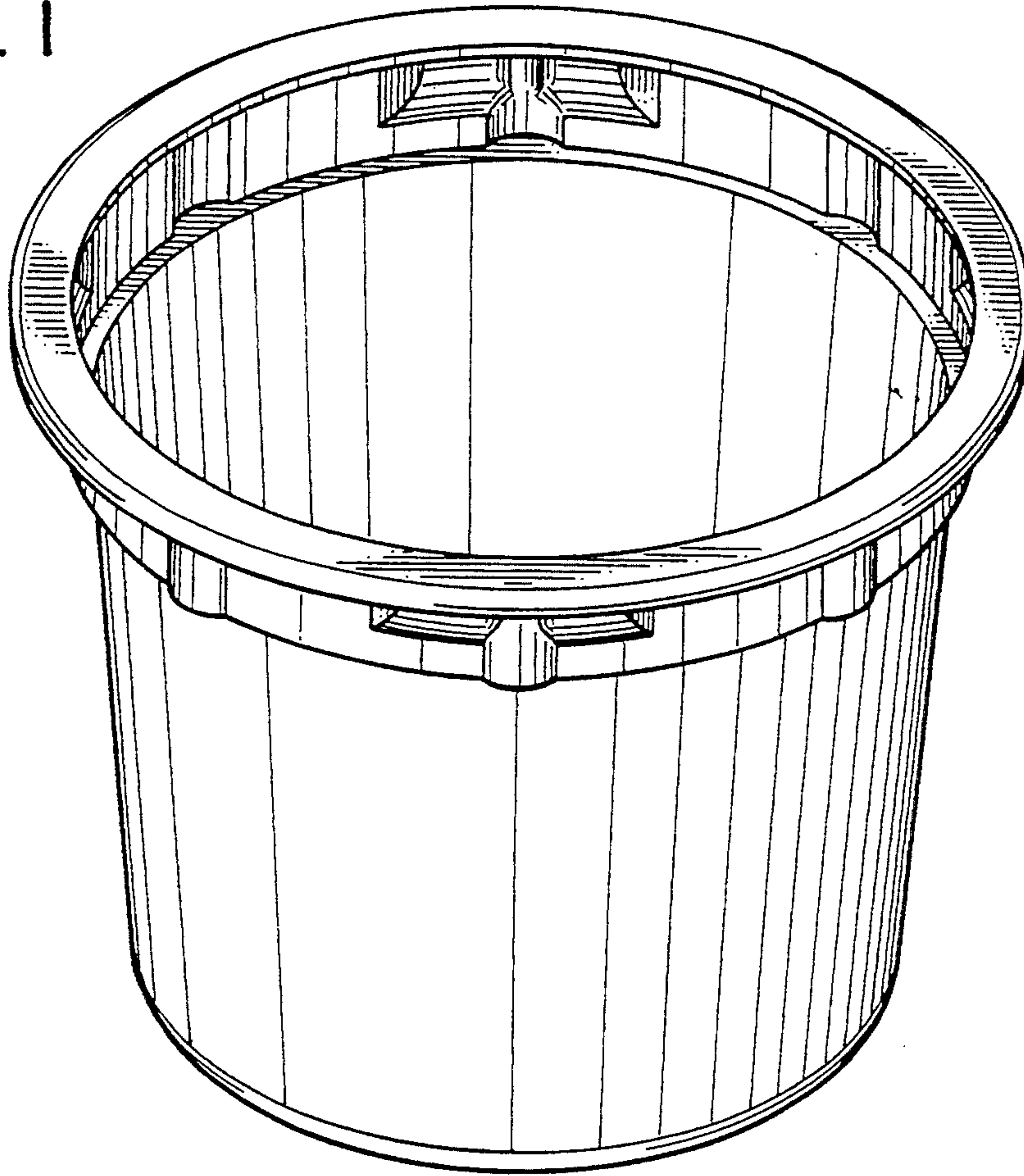
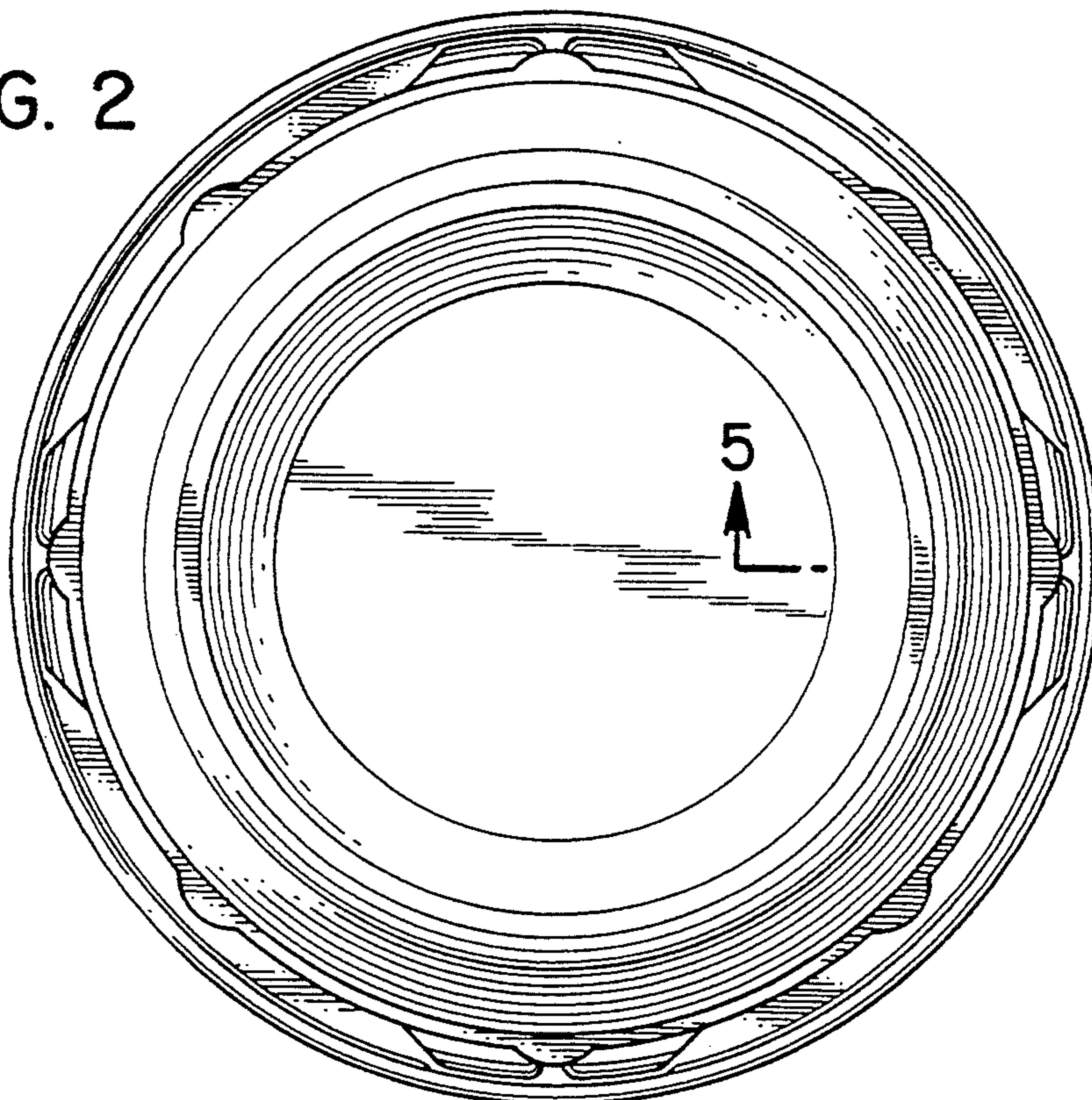


FIG. 2



5



5



FIG. 3

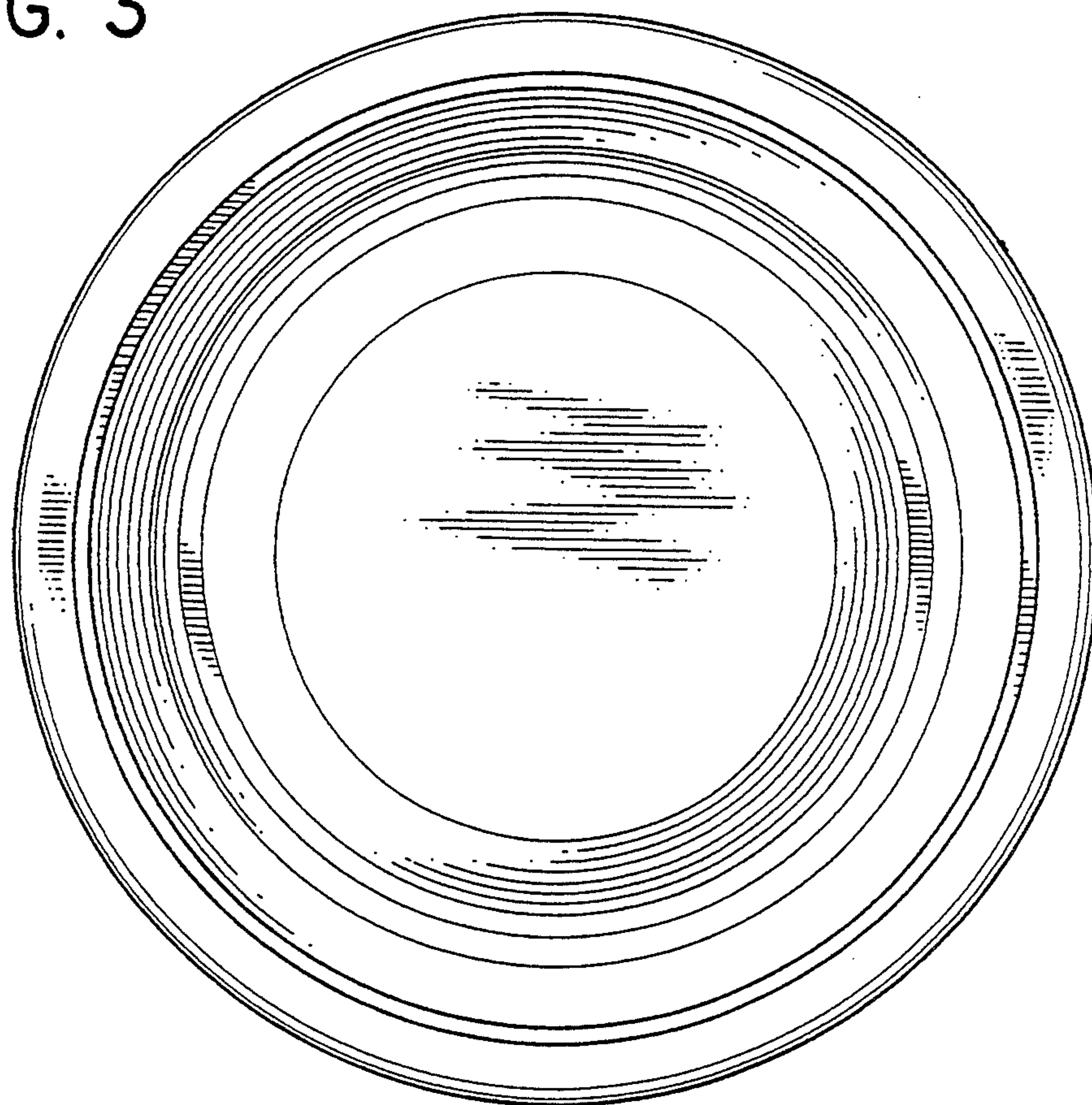


FIG. 4

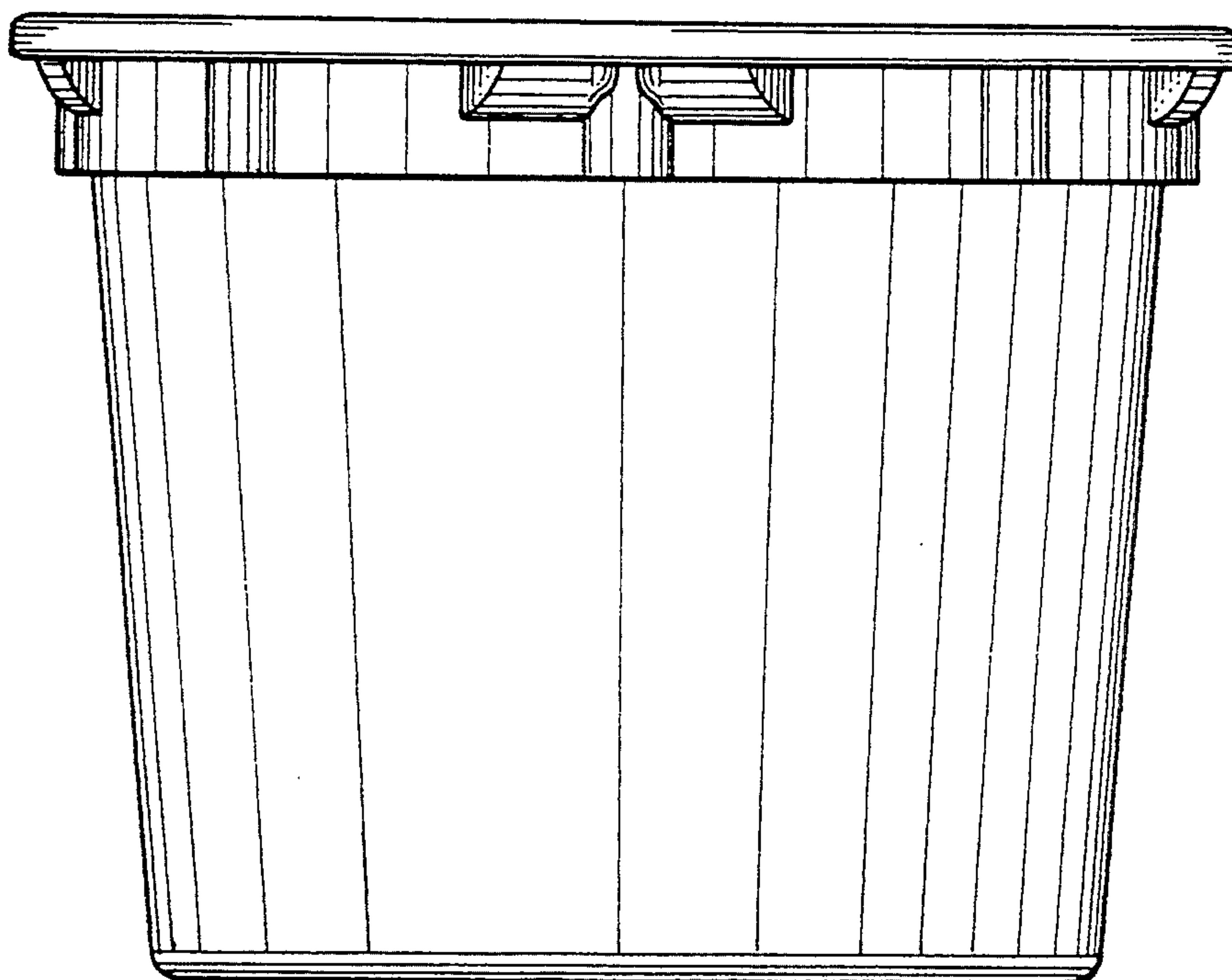


FIG. 5

