



US00D361951S

# United States Patent [19]

[11] Patent Number: **Des. 361,951**

**Campman**

[45] Date of Patent: **\*\* Sep. 5, 1995**

[54] **COMBINED LENS AND TRACKING INDICATION LIGHT IN A PERSONAL LOCATION UNIT**

D. 354,577 1/1995 Cota et al. .... D10/114  
2,072,313 3/1937 Patch ..... D10/114

[76] Inventor: **James P. Campman**, P.O. Box 167, Transfer, Pa. 16154

*Primary Examiner*—A. Hugo Word  
*Assistant Examiner*—Marcus Jackson  
*Attorney, Agent, or Firm*—Nies, Kurz, Bergert & Tamburro

[\*\*] Term: **14 Years**

[57] **CLAIM**

[21] Appl. No.: **25,977**

The ornamental design for combined lens and tracking indication light in a personal location unit, as shown and described.

[22] Filed: **Jul. 15, 1994**

[52] U.S. Cl. .... **D10/104**

[58] Field of Search ..... D10/104, 106, 109, 114, D10/121; 340/540, 546, 565, 568, 571, 572, 573, 321; 362/103, 108, 157, 158, 183, 184, 188; D26/38

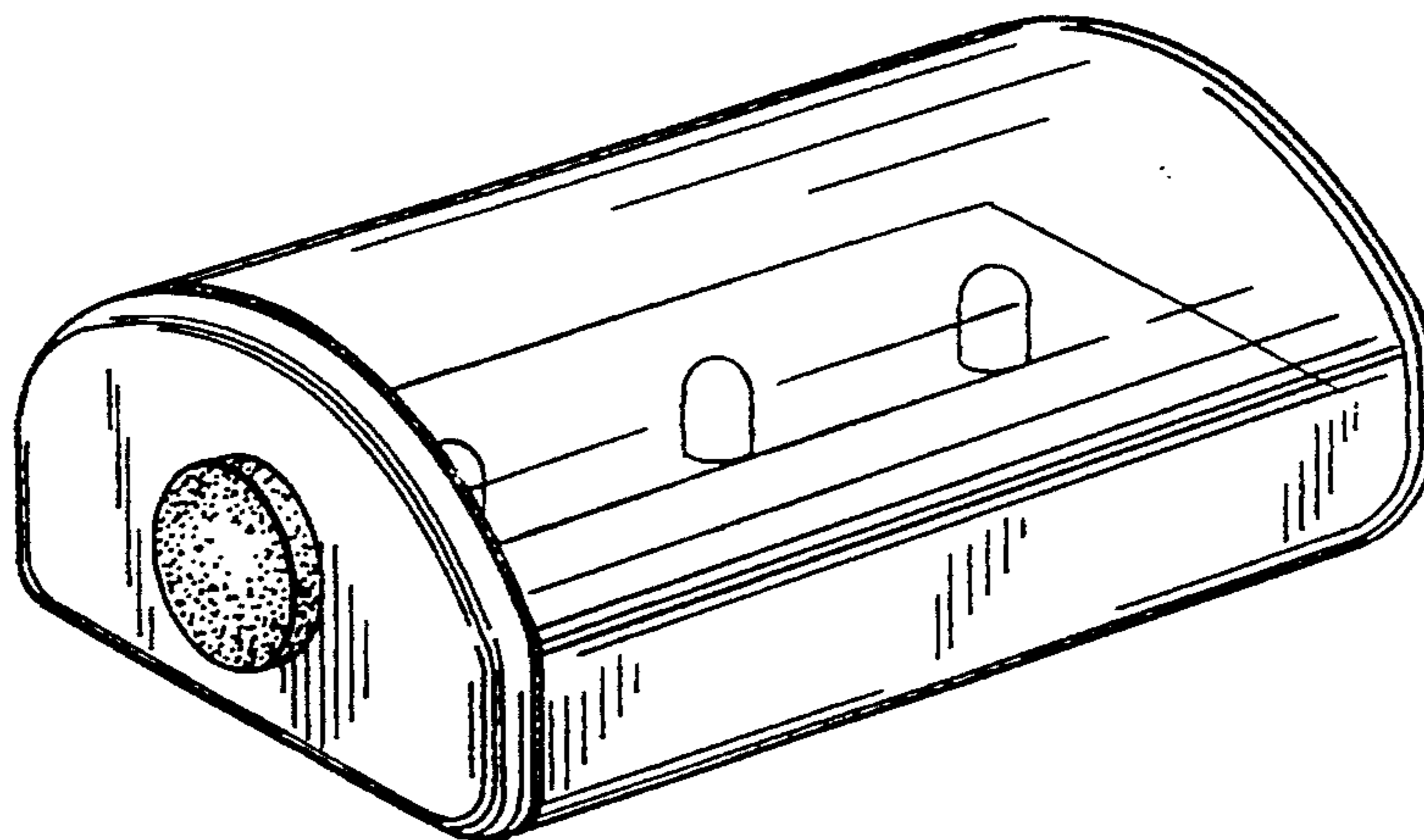
**DESCRIPTION**

[56] **References Cited**

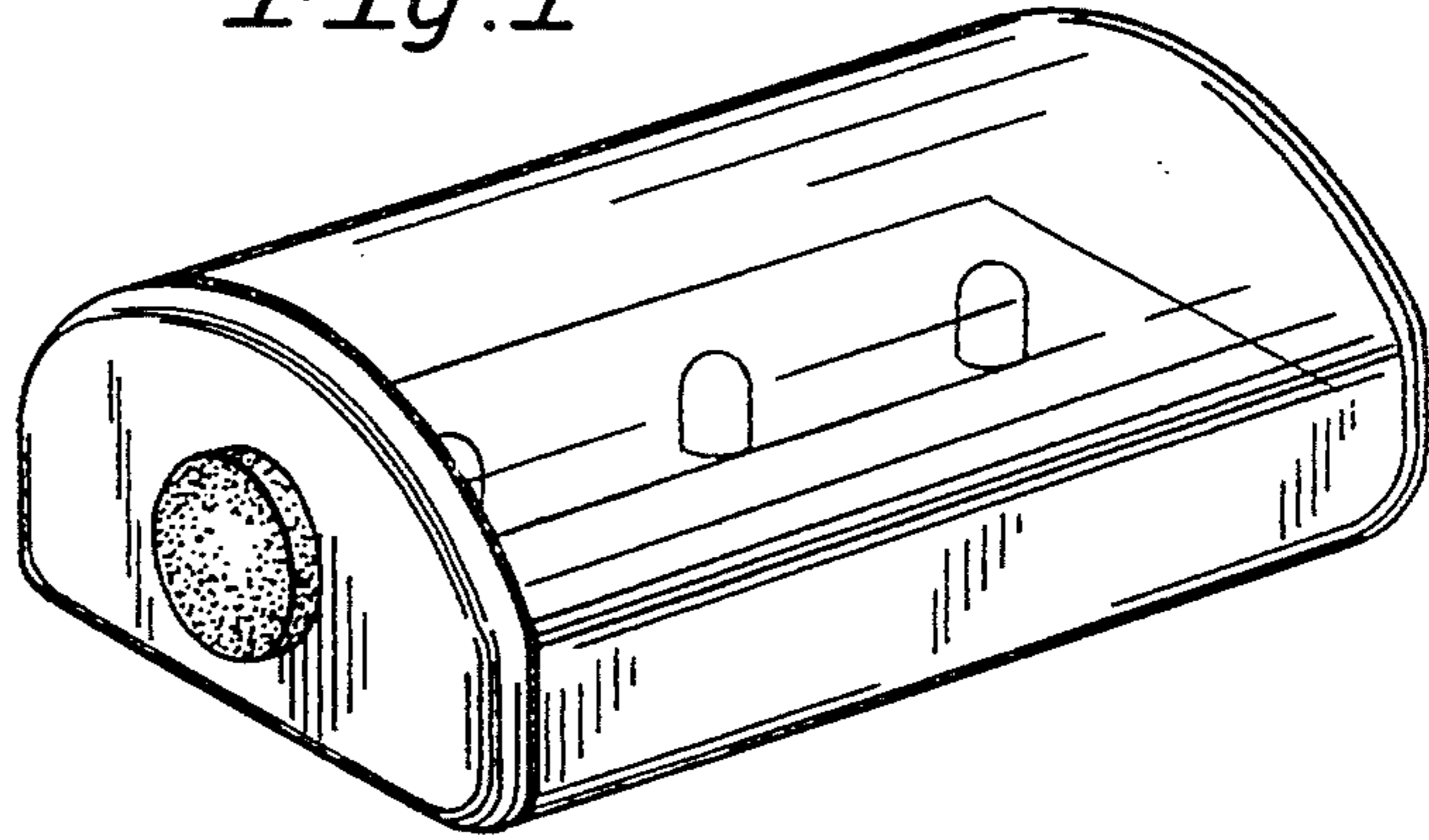
**U.S. PATENT DOCUMENTS**

D. 237,160	10/1975	McClintock	.....	D10/114
D. 269,954	8/1983	Ohashi	.....	D10/114
D. 283,684	5/1986	Francis	.....	D10/106
D. 285,911	9/1986	Yuen	.....	D10/114
D. 287,291	12/1986	Wan	.....	D26/38
D. 304,694	11/1989	Goss	.....	D10/114
D. 307,116	4/1990	Jacobs	.....	D10/114
D. 311,349	10/1990	Walsh	.....	D10/106
D. 313,569	1/1991	Allard et al.	.....	D10/114
D. 332,757	1/1993	Thomas et al.	.....	D10/114
D. 336,052	6/1993	Campman	.....	D10/104
D. 340,777	10/1993	Choi et al.	.....	D26/38

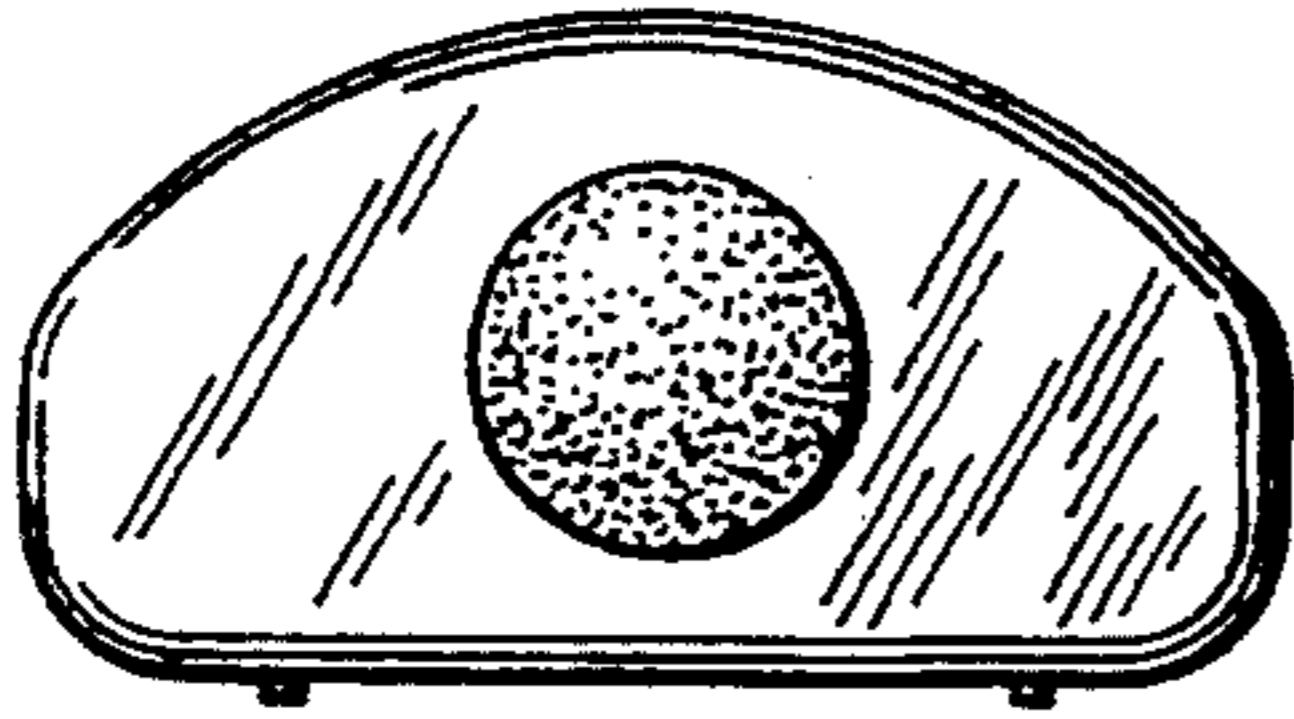
FIG. 1 is a front perspective view of a combined lens and tracking indication light in a personal location unit showing my new design;  
FIG. 2 is a left end view thereof;  
FIG. 3 is a side elevation thereof; the opposite side being a mirror image thereof;  
FIG. 4 is a right end view thereof;  
FIG. 5 is a top plan view thereof;  
FIG. 6 is a bottom view thereof;  
FIG. 7 is a perspective view of a second embodiment thereof;  
FIG. 8 is a left end view thereof;  
FIG. 9 is a side elevation thereof; the opposite side being a mirror image thereof;  
FIG. 10 is a right end view thereof;  
FIG. 11 is a top view thereof; and,  
FIG. 12 is a bottom view thereof.



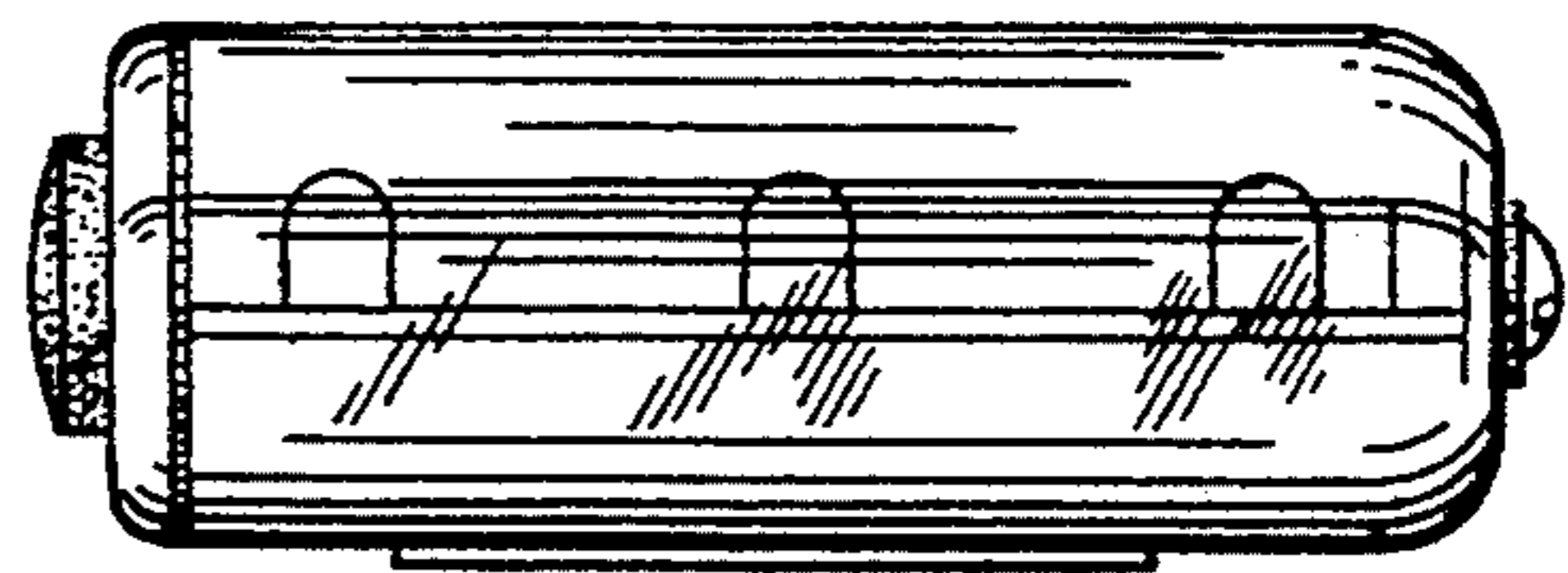
*Fig. 1*



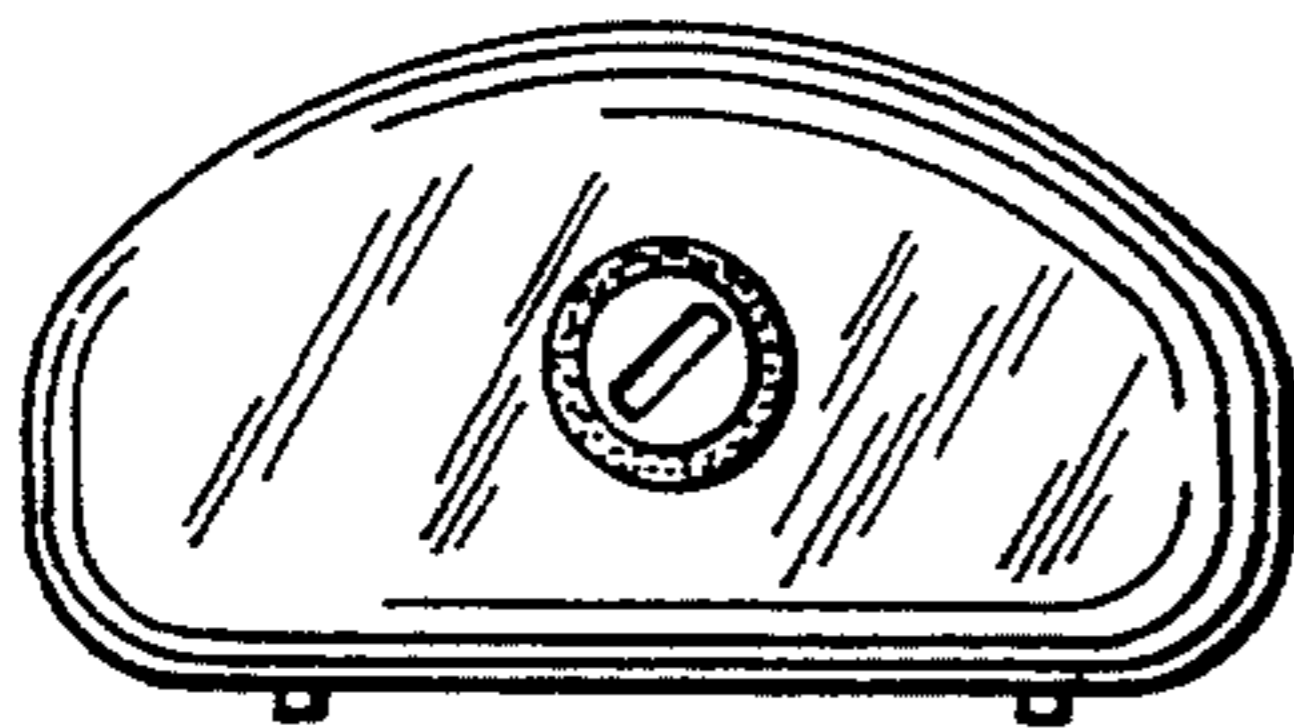
*Fig. 2*



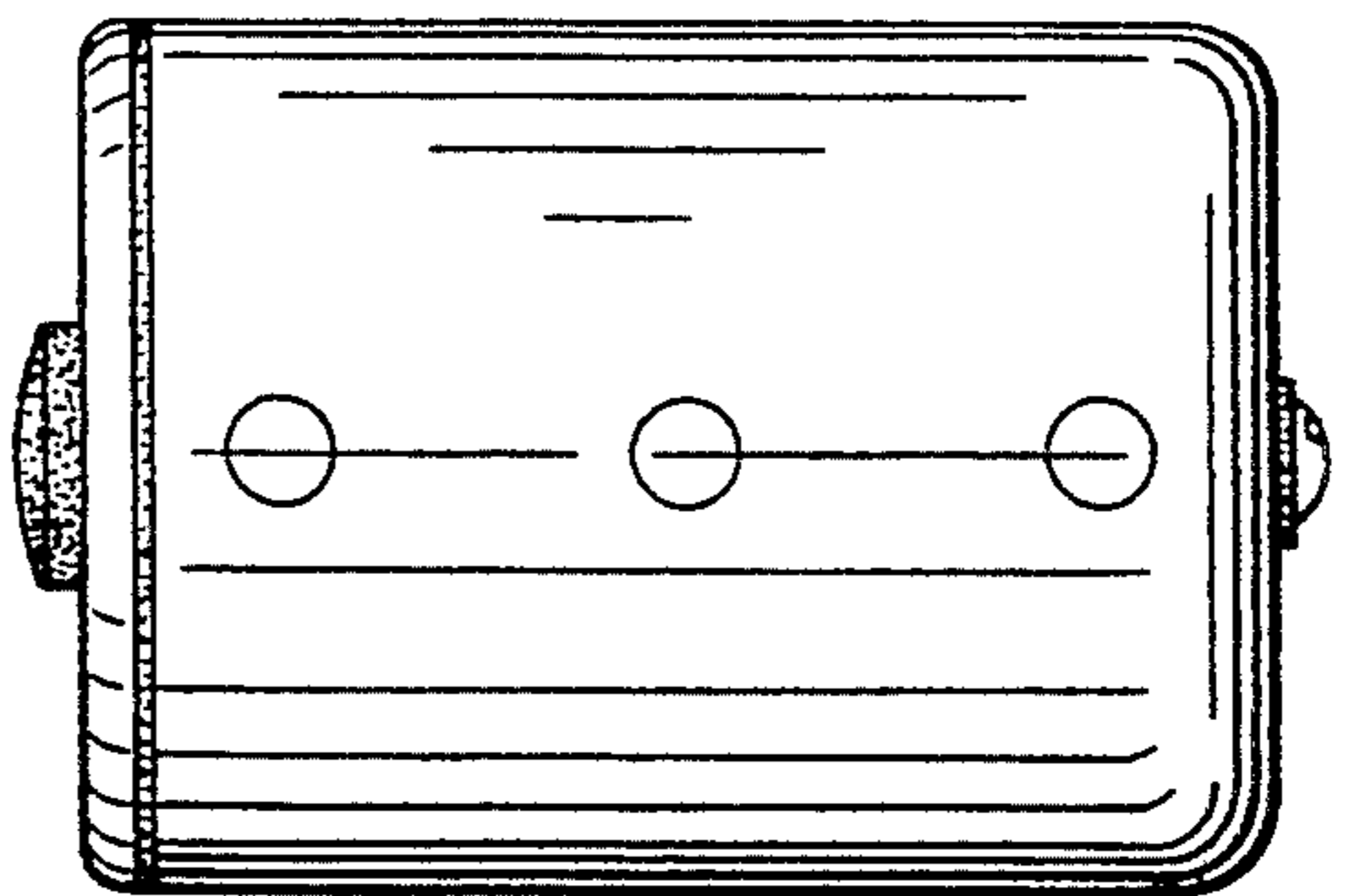
*Fig. 3*



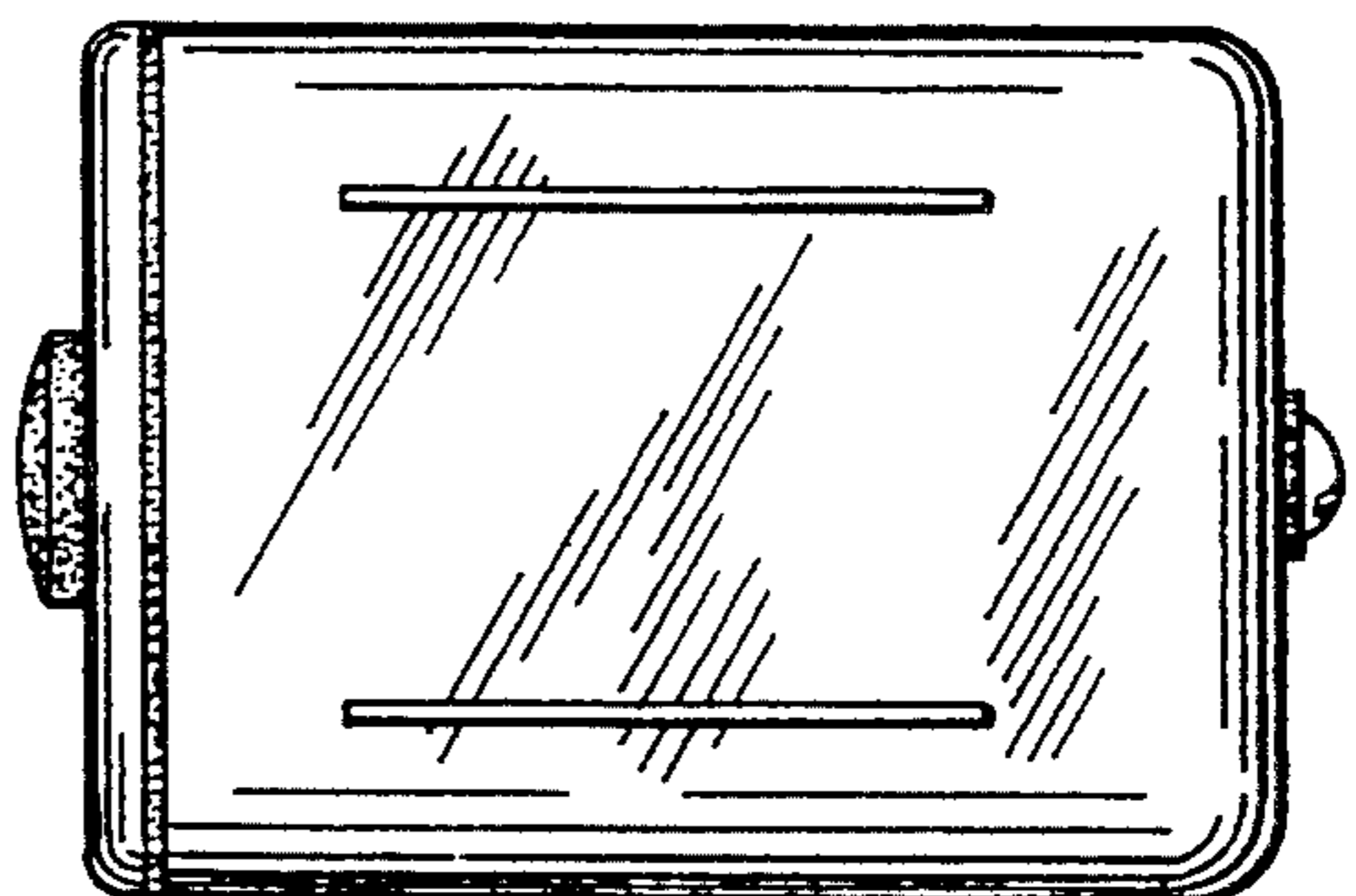
*Fig. 4*



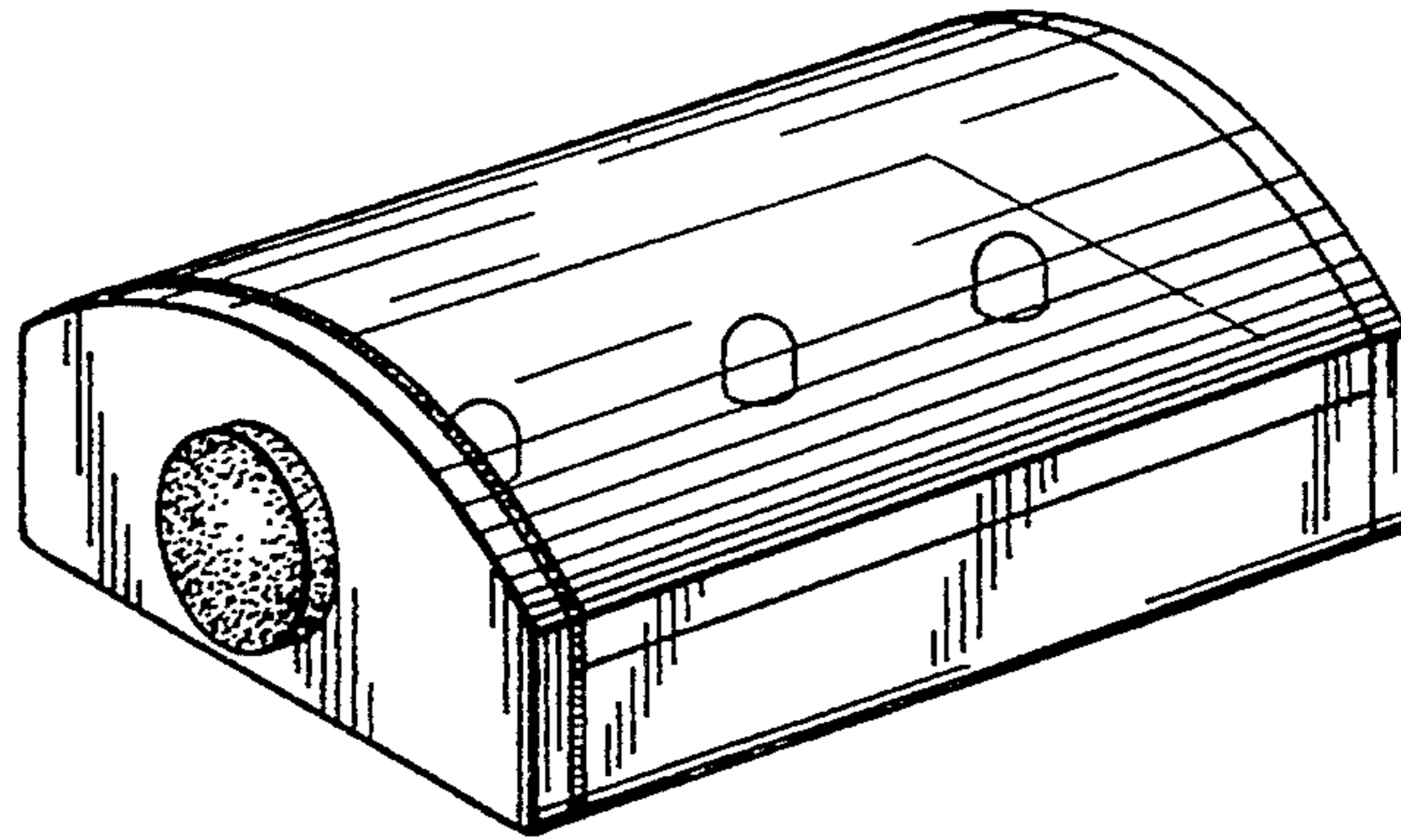
*Fig. 5*



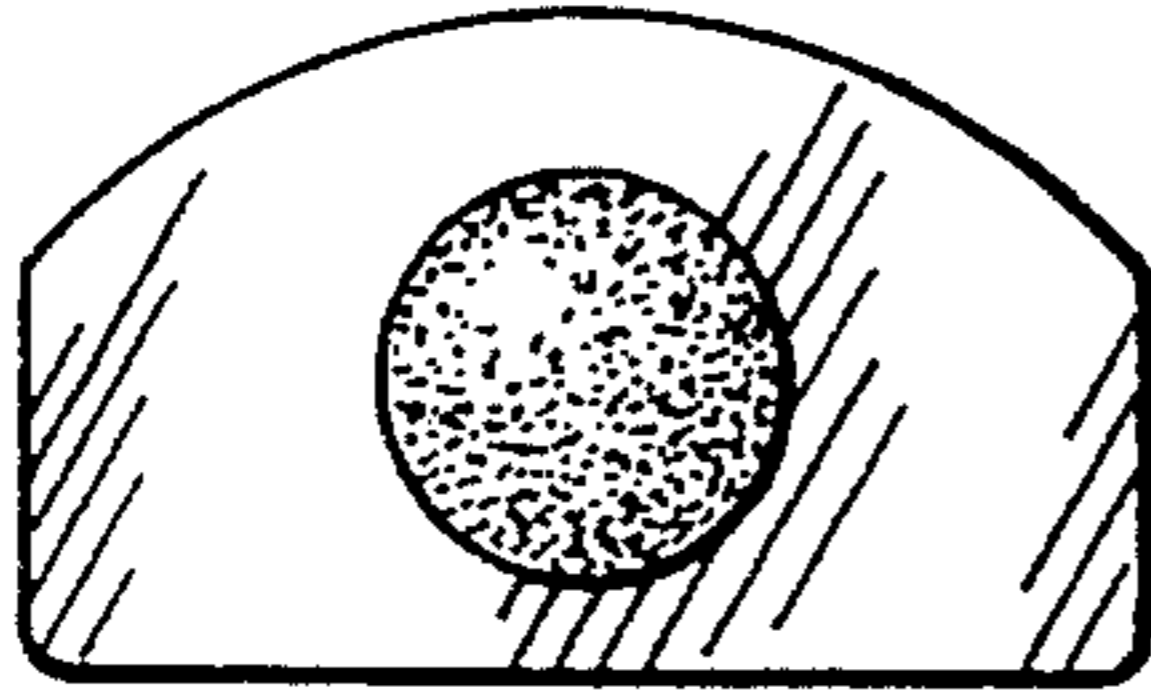
*Fig. 6*



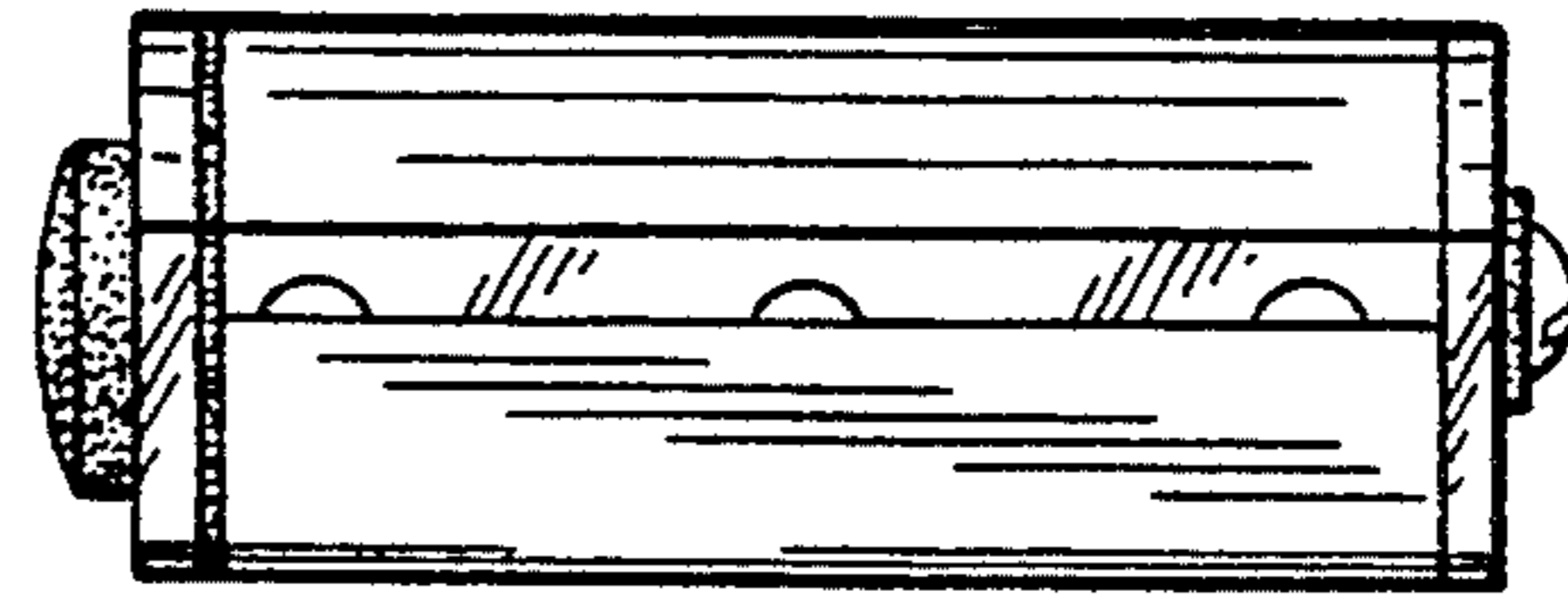
*Fig. 7*



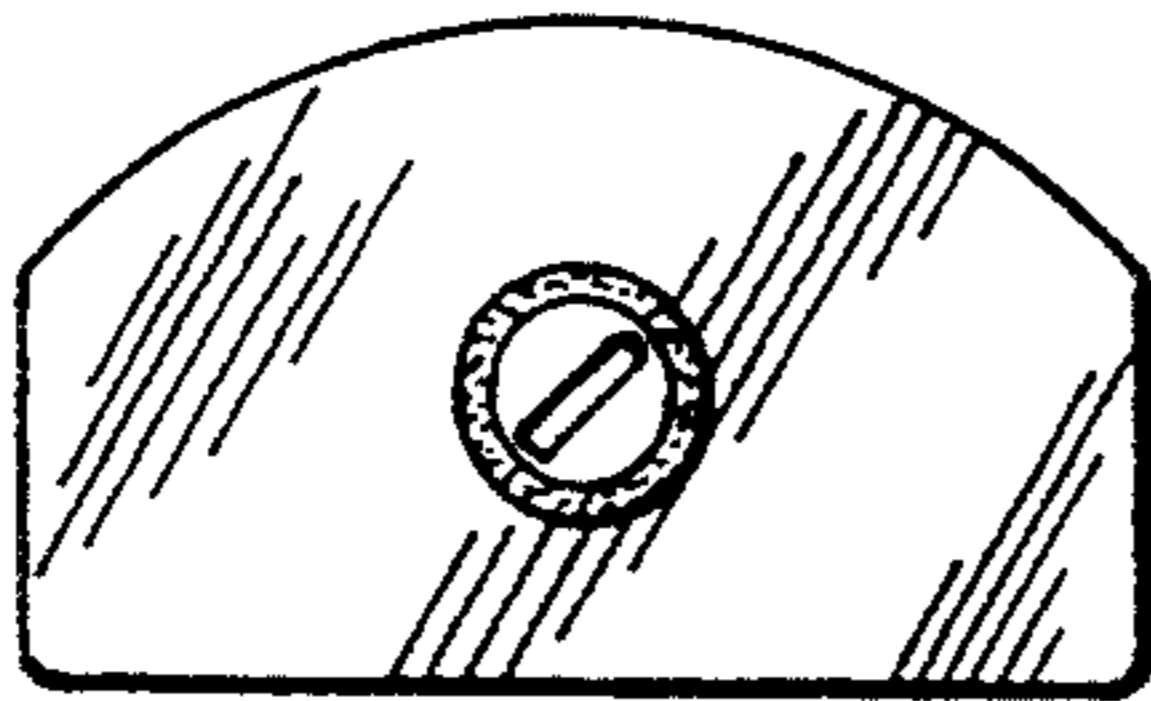
*Fig. 8*



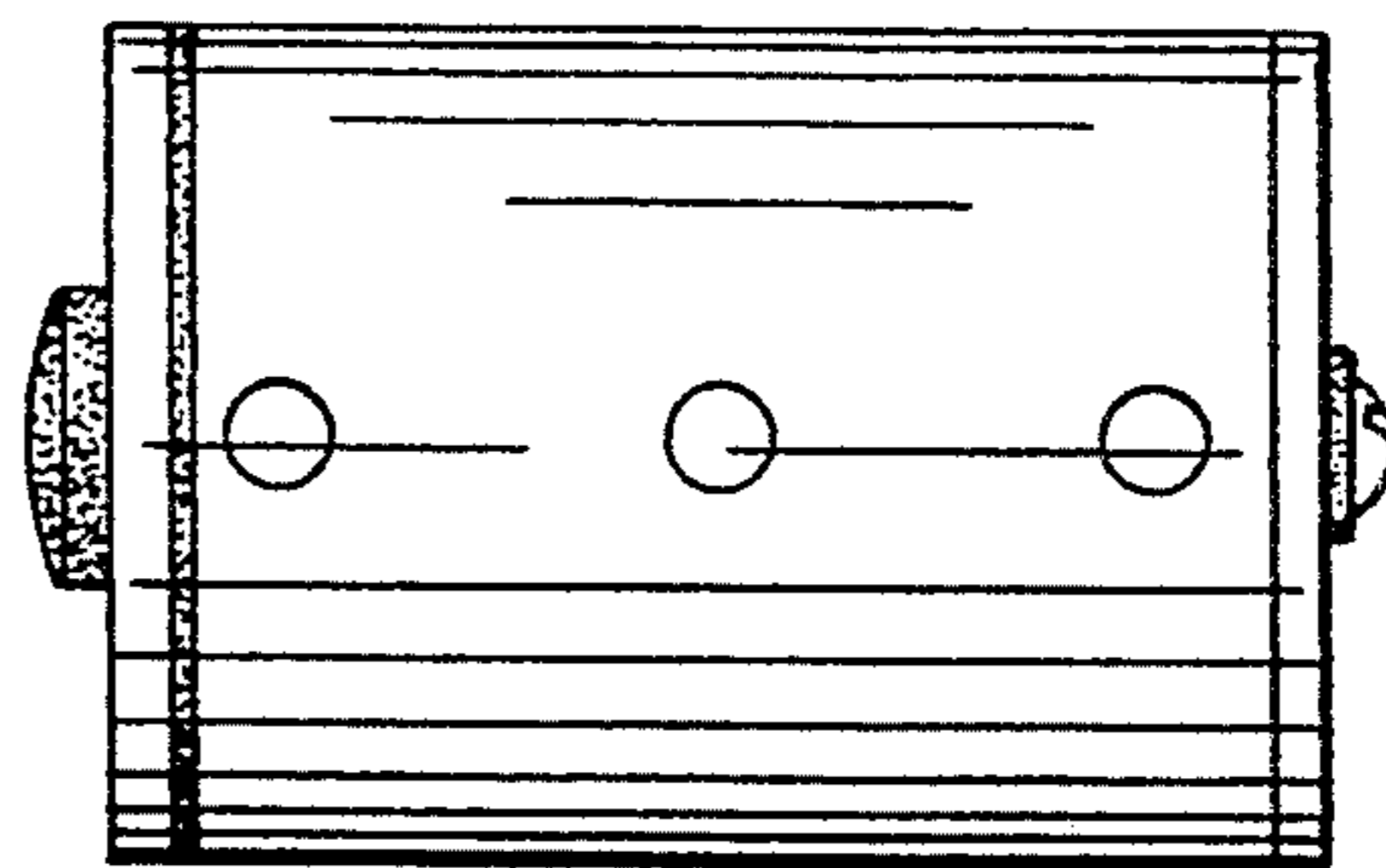
*Fig. 9*



*Fig. 10*



*Fig. 11*



*Fig. 12*

