



US00D361945S

United States Patent [19]

[11] Patent Number: **Des. 361,945**

Errico

[45] Date of Patent: **** Sep. 5, 1995**

[54] **WRISTWATCH**

[75] Inventor: **Olivier Errico**, Geneva, Switzerland

[73] Assignee: **Questo Sarl**, Geneva, Switzerland

[**] Term: **14 Years**

[21] Appl. No.: **24,897**

[22] Filed: **Jun. 23, 1994**

[30] **Foreign Application Priority Data**

Dec. 23, 1993 [XH] Hague Agreement DMA/002391

[52] U.S. Cl. **D10/39; D10/30**

[58] Field of Search D10/1-40,
D10/122-132; 368/280-282, 276-277, 285

[56] **References Cited**

U.S. PATENT DOCUMENTS

D. 240,605	7/1976	Sticker	D10/38
D. 264,188	5/1982	Bulgari	D10/39
D. 329,612	9/1992	Hysek	D10/30
D. 334,715	4/1993	Besson	D10/39
D. 350,288	9/1994	Giardiello	D10/30

FOREIGN PATENT DOCUMENTS

79480 6/1955 Denmark 368/232

Primary Examiner—Nelson C. Holtje
Attorney, Agent, or Firm—Sughrue, Mion, Zinn,
Macpeak & Seas

[57] **CLAIM**

The ornamental design for a wristwatch, as shown an described.

DESCRIPTION

FIG. 1 is perspective view of a wristwatch showing my new design;

FIG. 2 is a top plan view thereof;

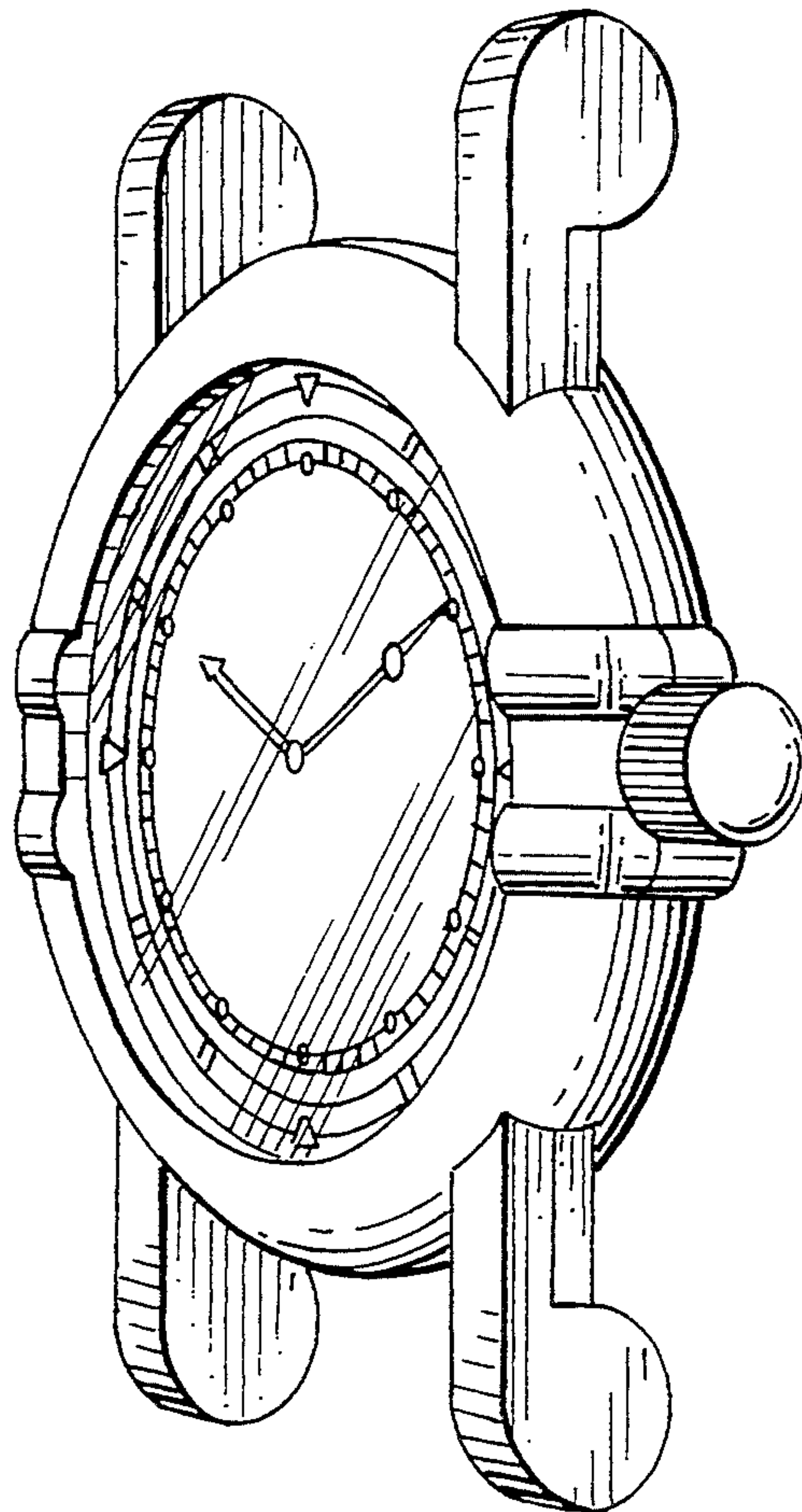
FIG. 3 is a bottom plan view thereof;

FIG. 4 is a side elevational view of one side thereof;

FIG. 5 is a side elevational view of an opposite side thereof;

FIG. 6 is an end elevational view of one end thereof; and,

FIG. 7 is an end elevational view of an opposite end thereof.



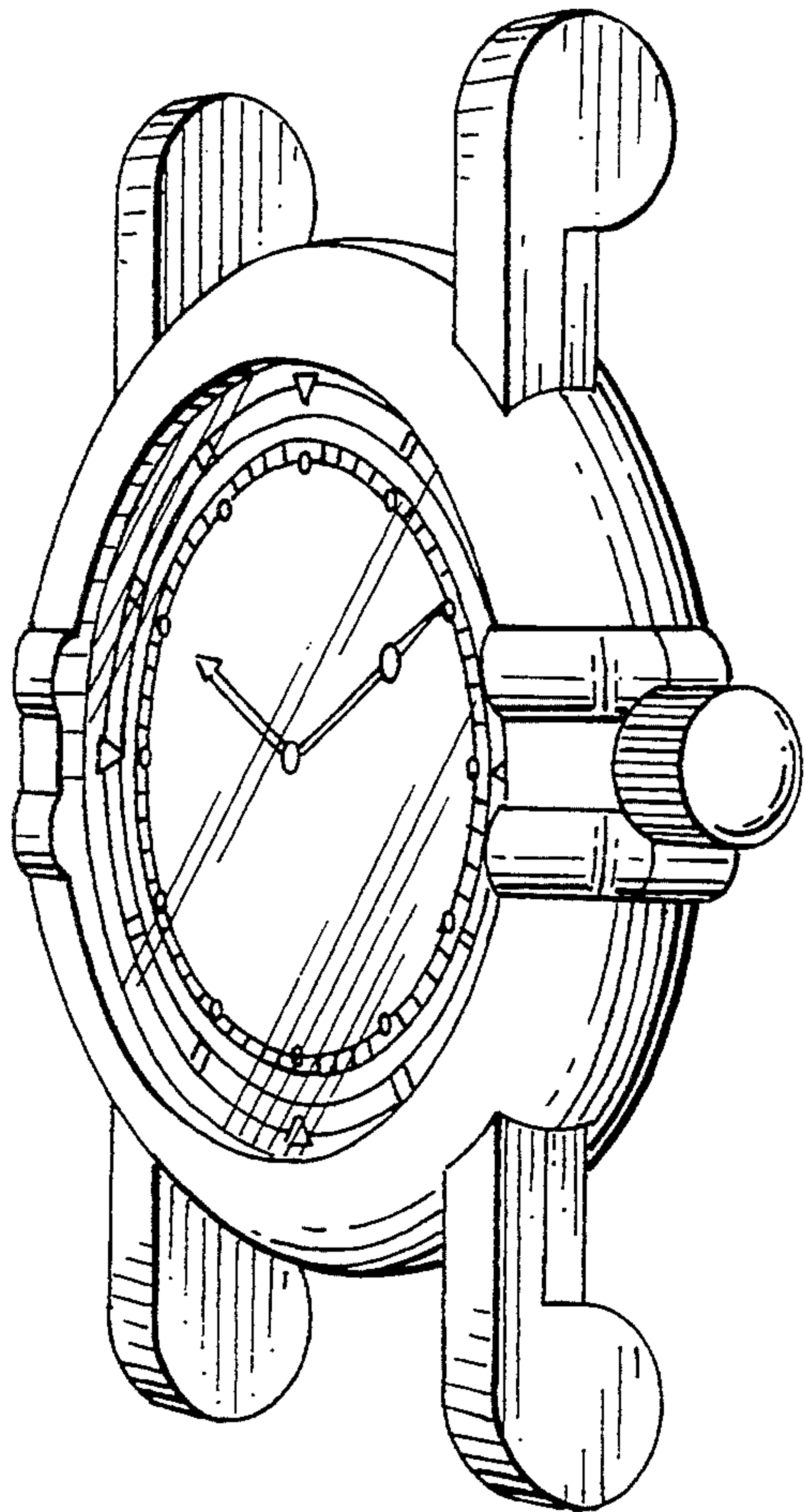


FIG. 1

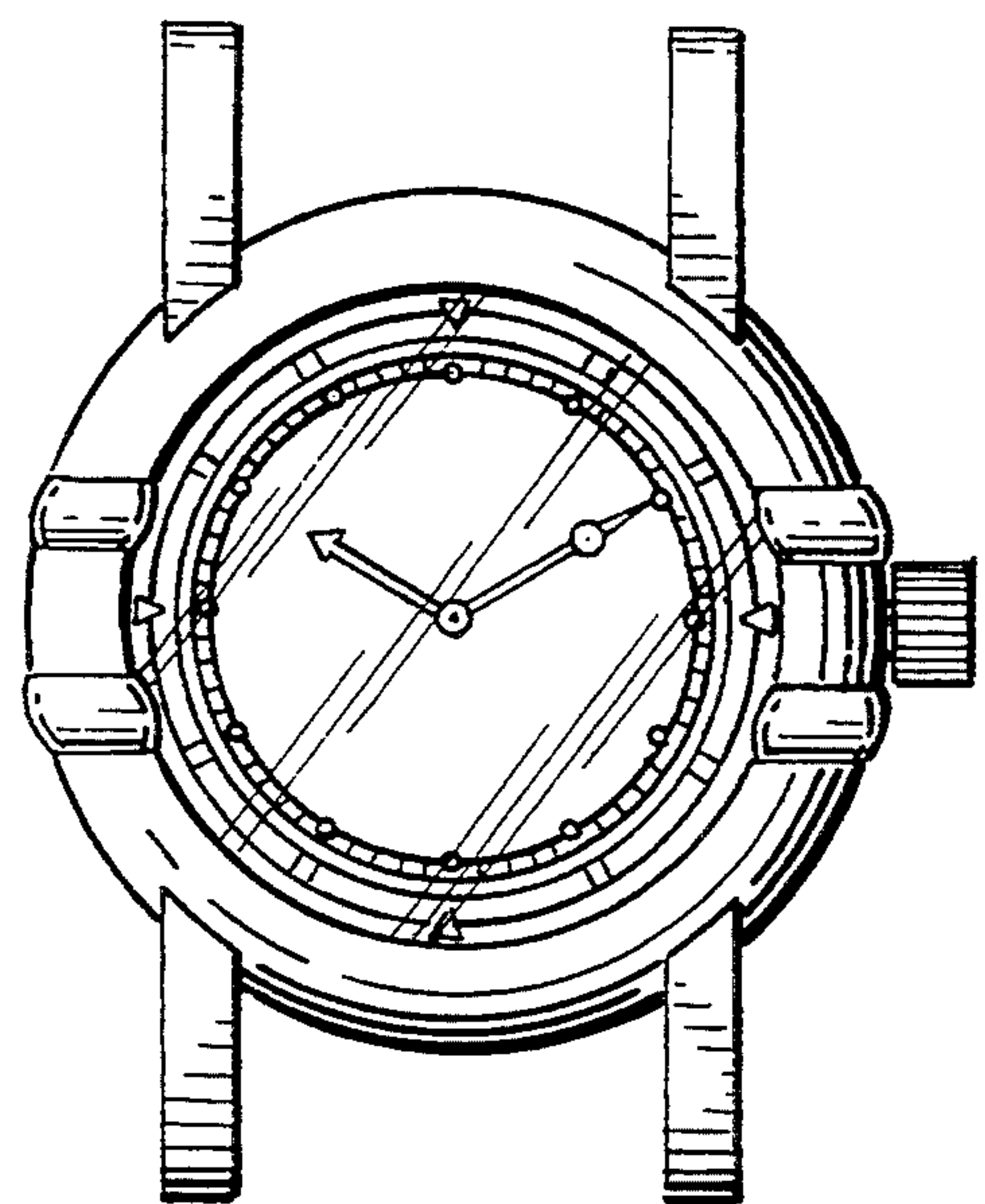


FIG. 2

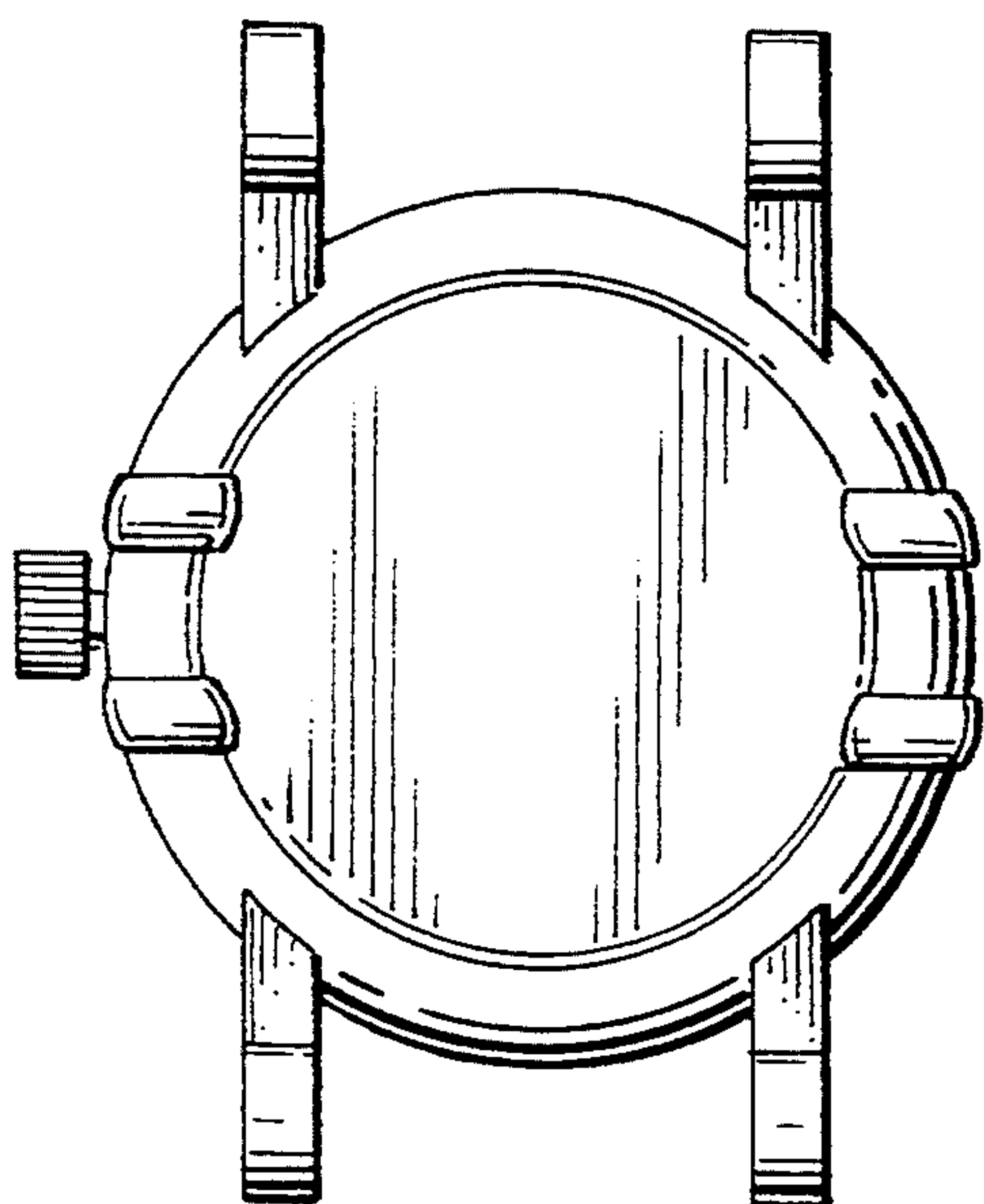


FIG. 3

FIG. 4



FIG. 5

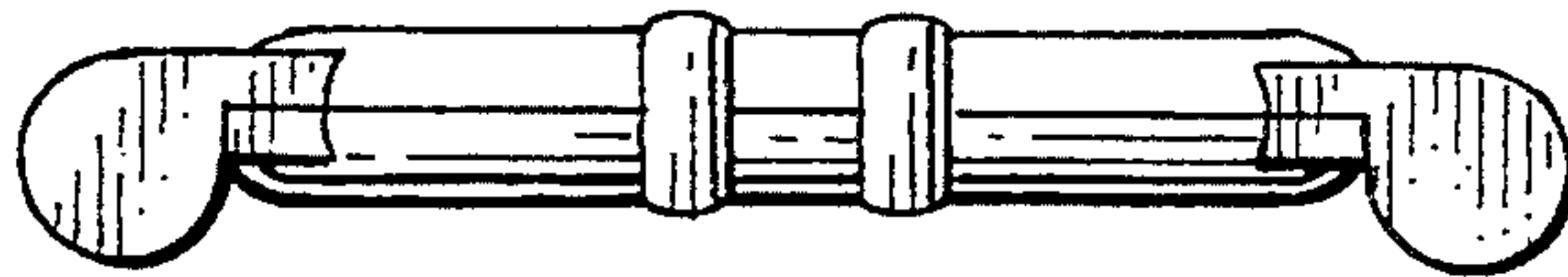


FIG. 6

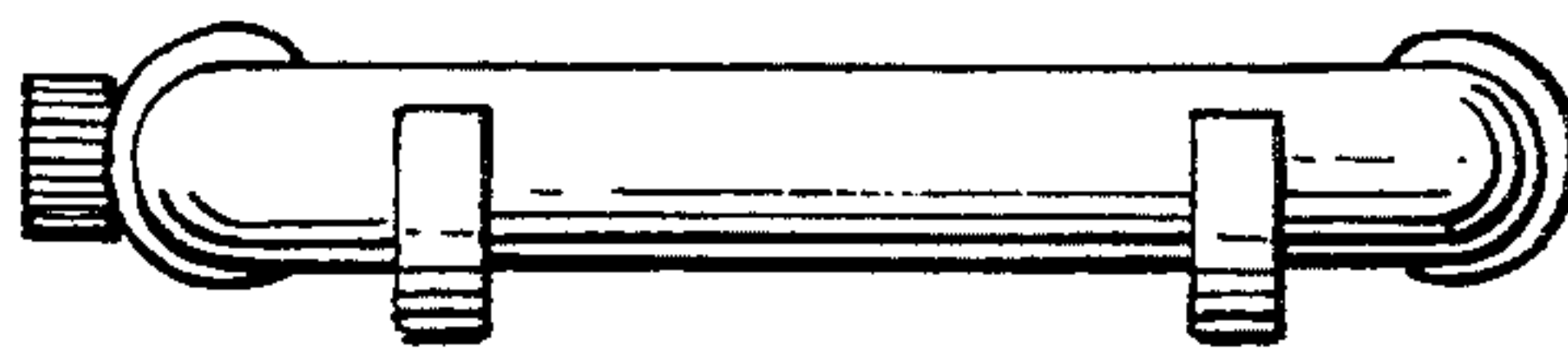


FIG. 7

