



US00D361942S

United States Patent [19]

[11] Patent Number: **Des. 361,942**

Williams

[45] Date of Patent: **** Sep. 5, 1995**

[54] **PAGER WATCH**

D. 346,975	5/1994	Houlihan	D10/30
4,257,115	3/1981	Hatuse	368/232 X
4,552,464	11/1985	Rogers	368/10
4,733,383	3/1988	Waterbury	368/10
5,172,348	12/1992	Paratte	368/47

[76] Inventor: **Ted S. Williams, 2425 Briner Ave., Akron, Ohio 44305**

[**] Term: **14 Years**

Primary Examiner—Nelson C. Holtje
Attorney, Agent, or Firm—H. Jay Spiegel

[21] Appl. No.: **23,070**

[22] Filed: **May 17, 1994**

[57] **CLAIM**

[52] U.S. Cl. **D10/31; D10/39**

The ornamental design for a pager watch, as shown and described.

[58] Field of Search **D10/1-40, D10/122-132; D14/192, 218; 368/280-282, 276-277, 285, 10, 239-242, 82-84; 455/100, 344, 350**

DESCRIPTION

[56] References Cited

U.S. PATENT DOCUMENTS

D. 327,444	6/1992	Murakami	D10/39
D. 345,736	4/1994	Scheid	D10/31 X

FIG. 1 shows a top view with example of pager number display shown in phantom of the present invention; **FIG. 2** shows a bottom view of the present invention; **FIG. 3** shows a side view of the present invention; and, **FIG. 4** shows the other side view of the present invention.

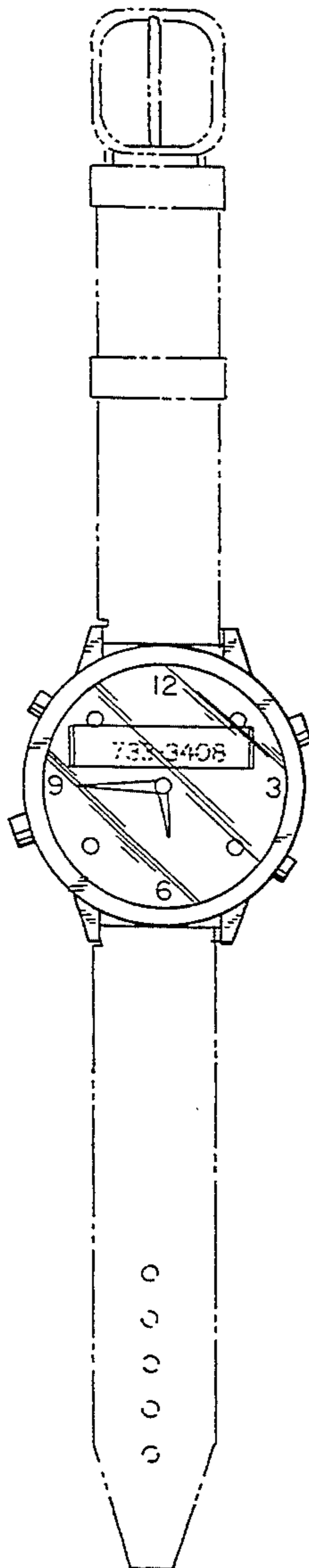


FIG. 1

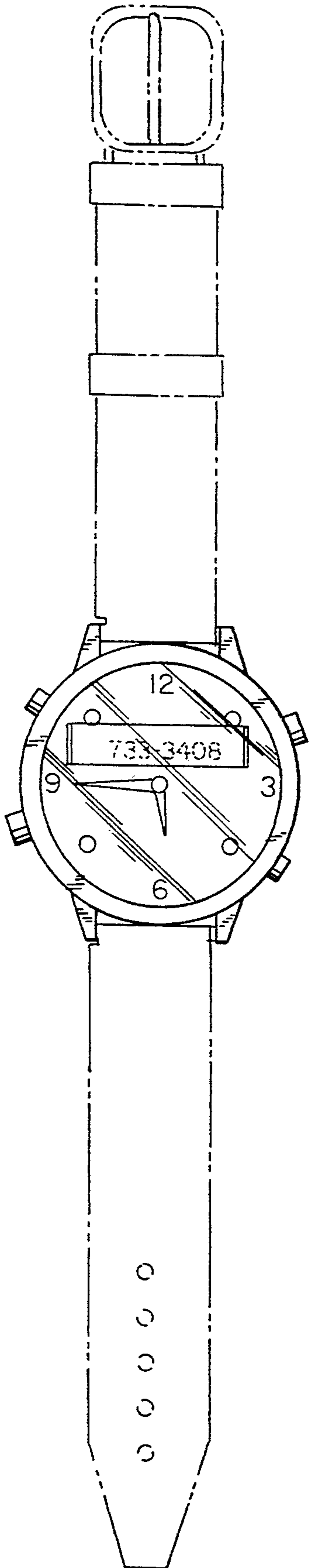


FIG. 2

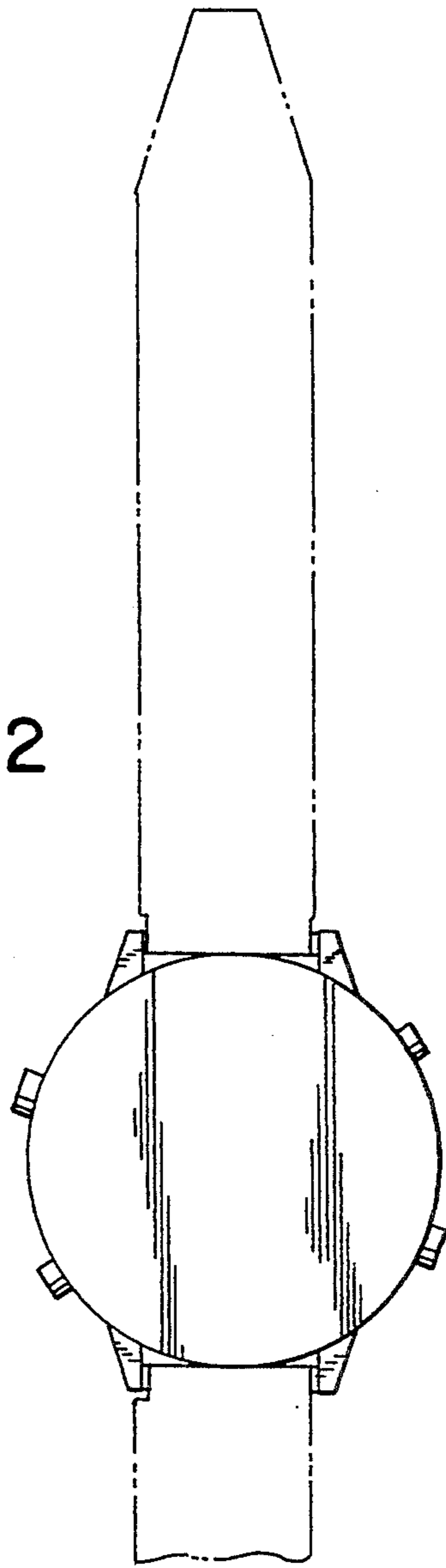


FIG. 3



FIG. 4

