



US00D361940S

# United States Patent [19]

[11] Patent Number: **Des. 361,940**

Pistilli

[45] Date of Patent: **\*\* Sep. 5, 1995**

## [54] TWIN BELL ALARM CLOCK

[75] Inventor: **Rodney M. Pistilli, Duluth, Ga.**

[73] Assignee: **GTC Properties, Inc., Wilmington, Del.**

[\*\*] Term: **14 Years**

[21] Appl. No.: **20,504**

[22] Filed: **Mar. 28, 1994**

[52] U.S. Cl. .... **D10/23; D10/1**

[58] Field of Search ..... **D10/1-40, D10/122-132; 368/276-277, 285, 316-317, 260-261, 72, 76**

### [56] References Cited

#### U.S. PATENT DOCUMENTS

D. 226,672	4/1973	Blessing .....	D10/6
D. 278,129	3/1985	Chatten .....	D10/6
D. 286,381	10/1986	Zeiser .....	D10/8
D. 314,515	2/1991	Kaneko .....	D10/8

## OTHER PUBLICATIONS

*Gift & Decorative Accessories Buyer*—Feb. 1964—p. 32—clocks.

*European Jeweler*—Dec. 1973—p. 42—clock at top.

*Primary Examiner*—Nelson C. Holtje

*Attorney, Agent, or Firm*—Jones, Day, Reavis & Pogue

## [57] CLAIM

The ornamental design for a twin bell alarm clock, as shown and described.

## DESCRIPTION

FIG. 1 is a perspective view of a twin bell alarm clock showing my new design;

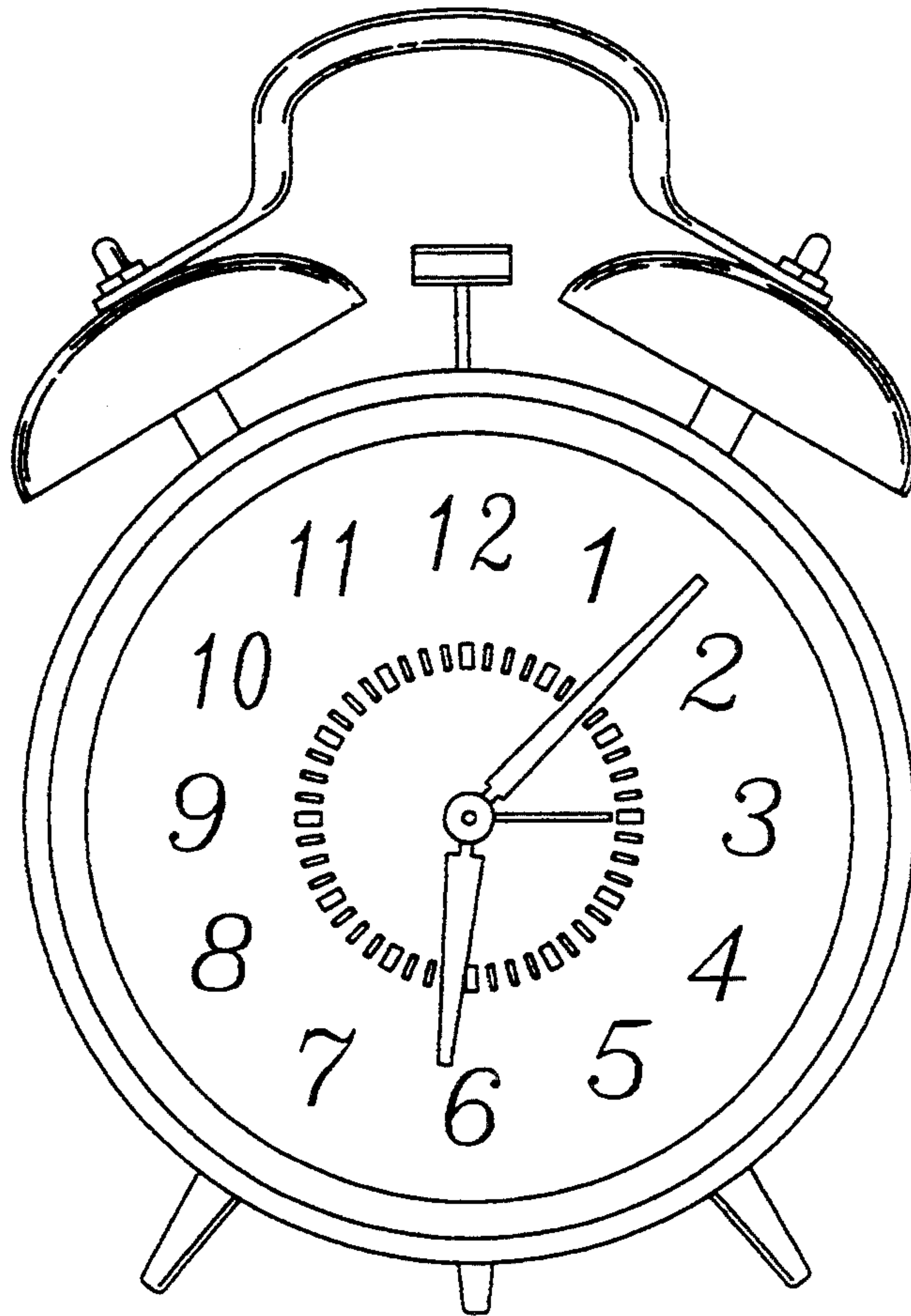
FIG. 2 is a top plan view of the twin bell alarm clock illustrated in FIG. 1;

FIG. 3 is a front elevational view of the twin bell alarm clock illustrated in FIG. 1;

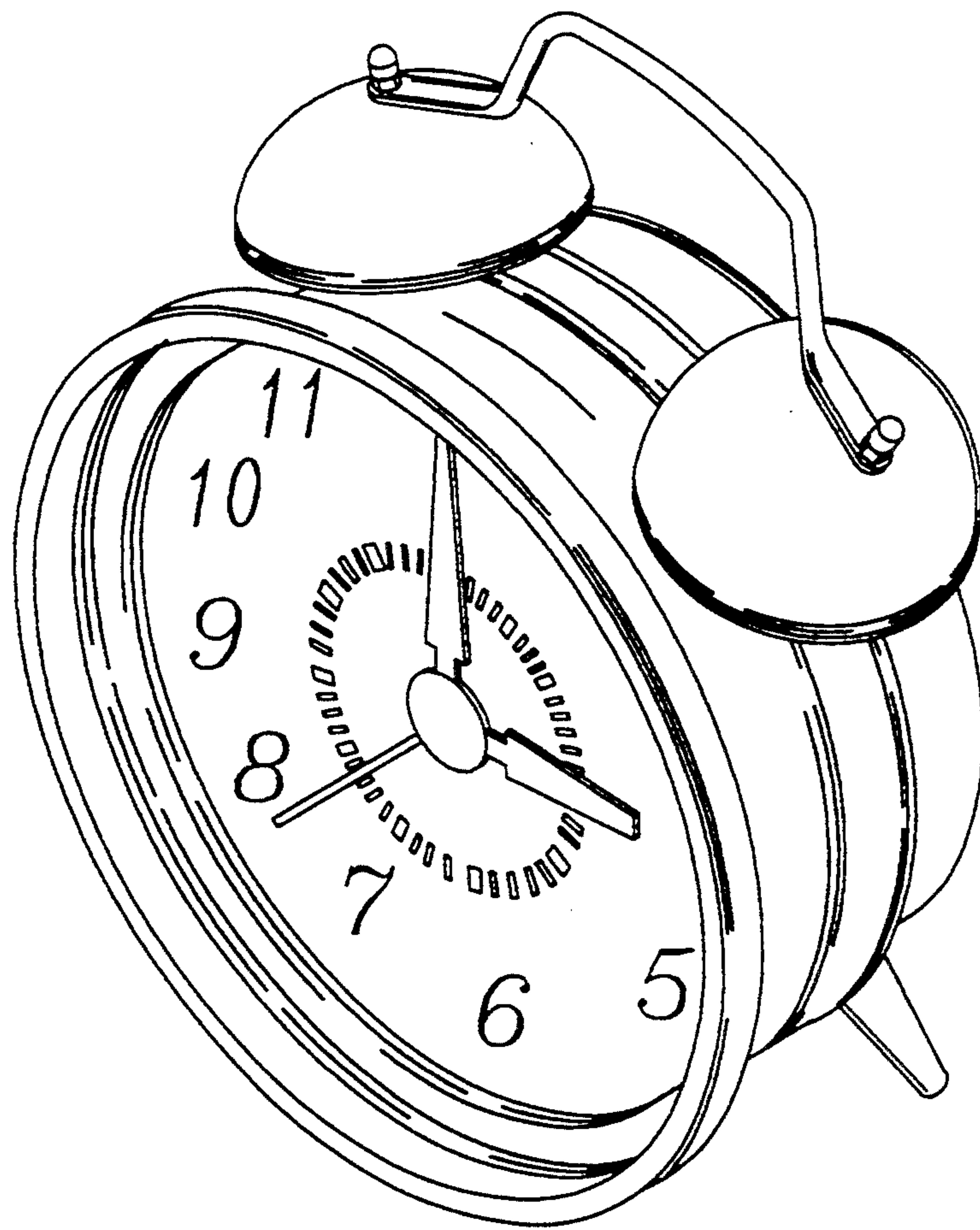
FIG. 4 is a side elevational view of the twin bell alarm clock illustrated in FIG. 1, the side not shown being a mirror image of the side shown; and,

FIG. 5 is a rear elevational view of the twin bell alarm clock illustrated in FIG. 1.

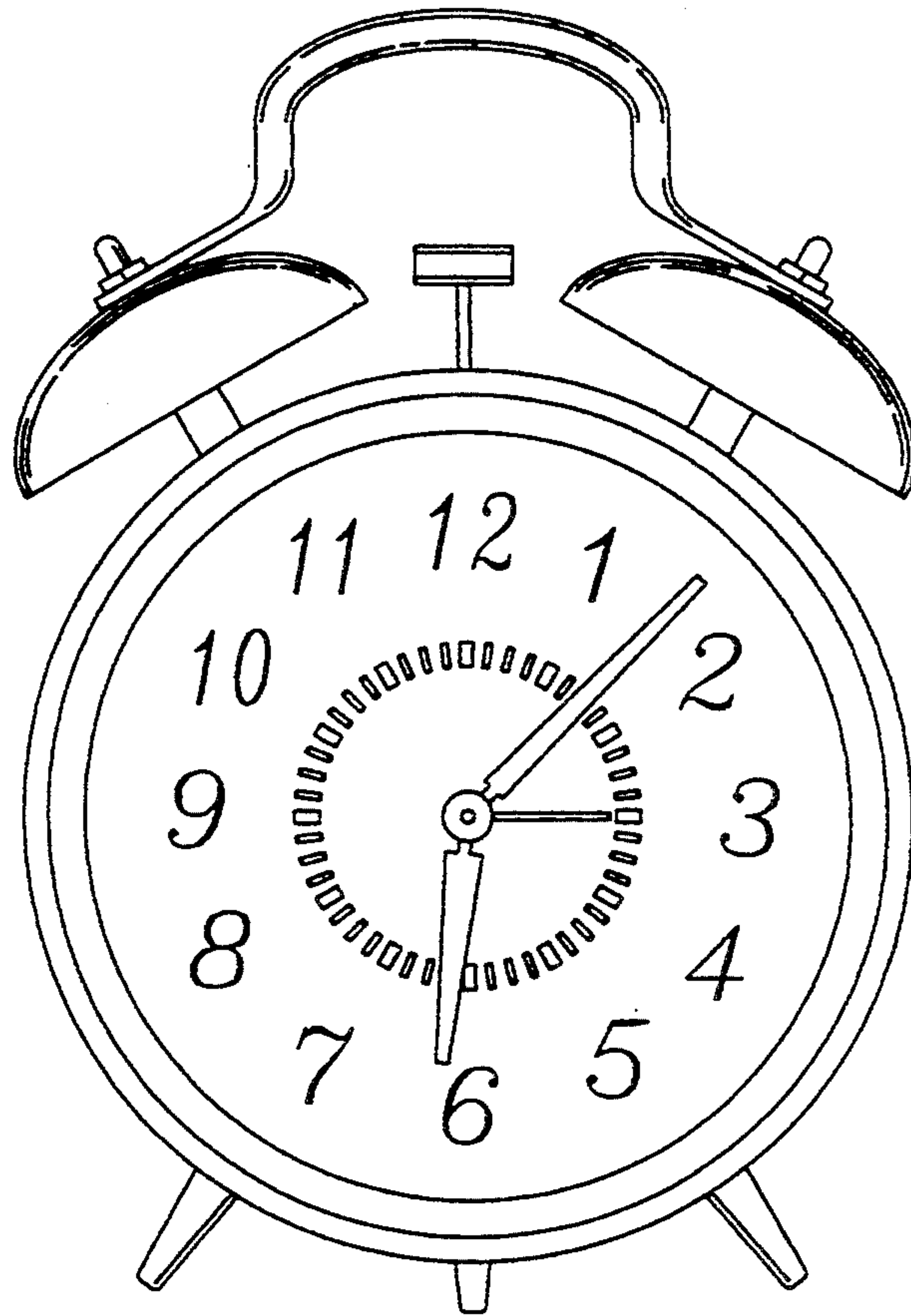
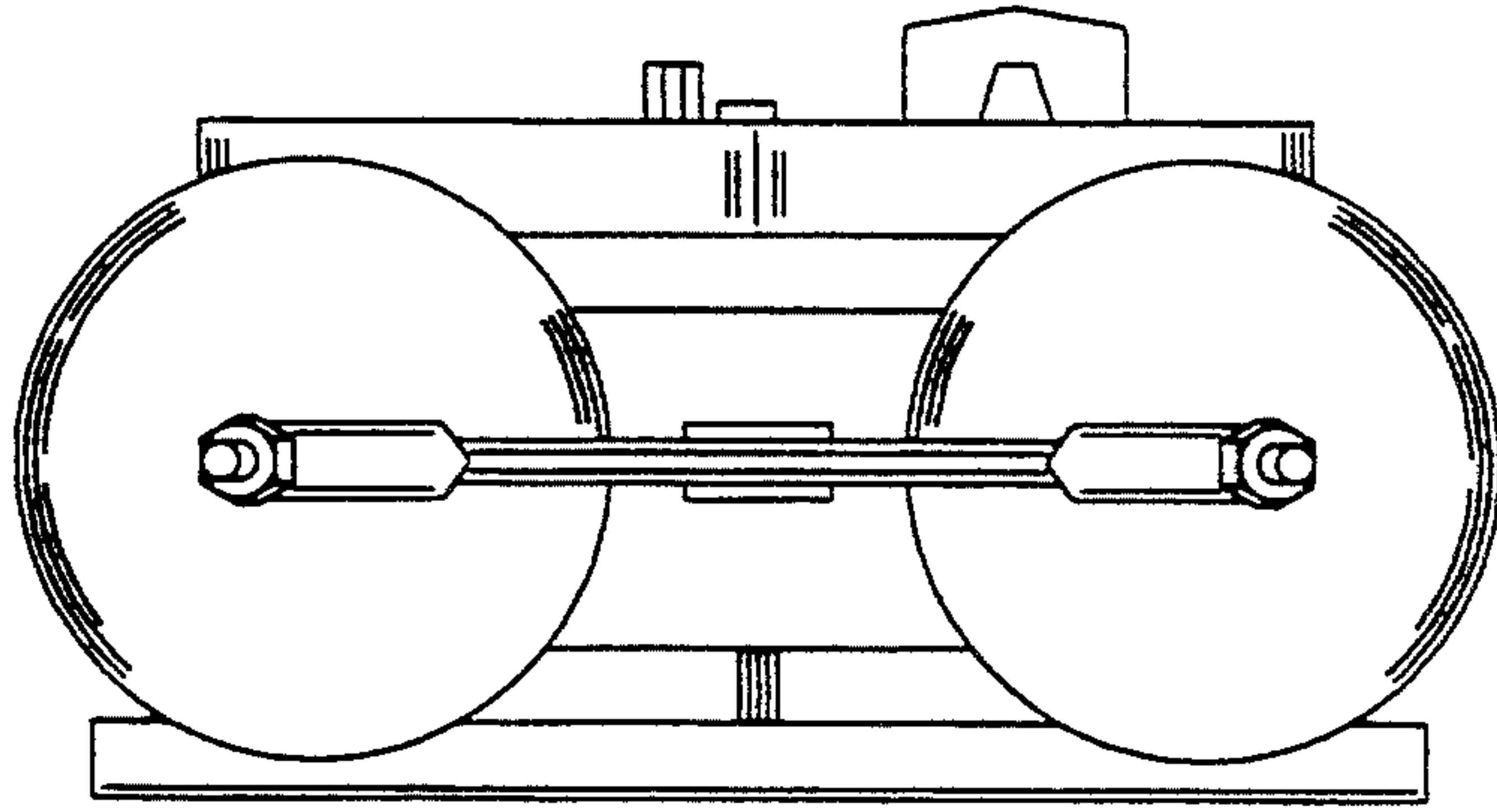
The broken-line showings of FIGS. 1 and 3 are environmental only, and form no part of the claimed design.



*Fig. 1*

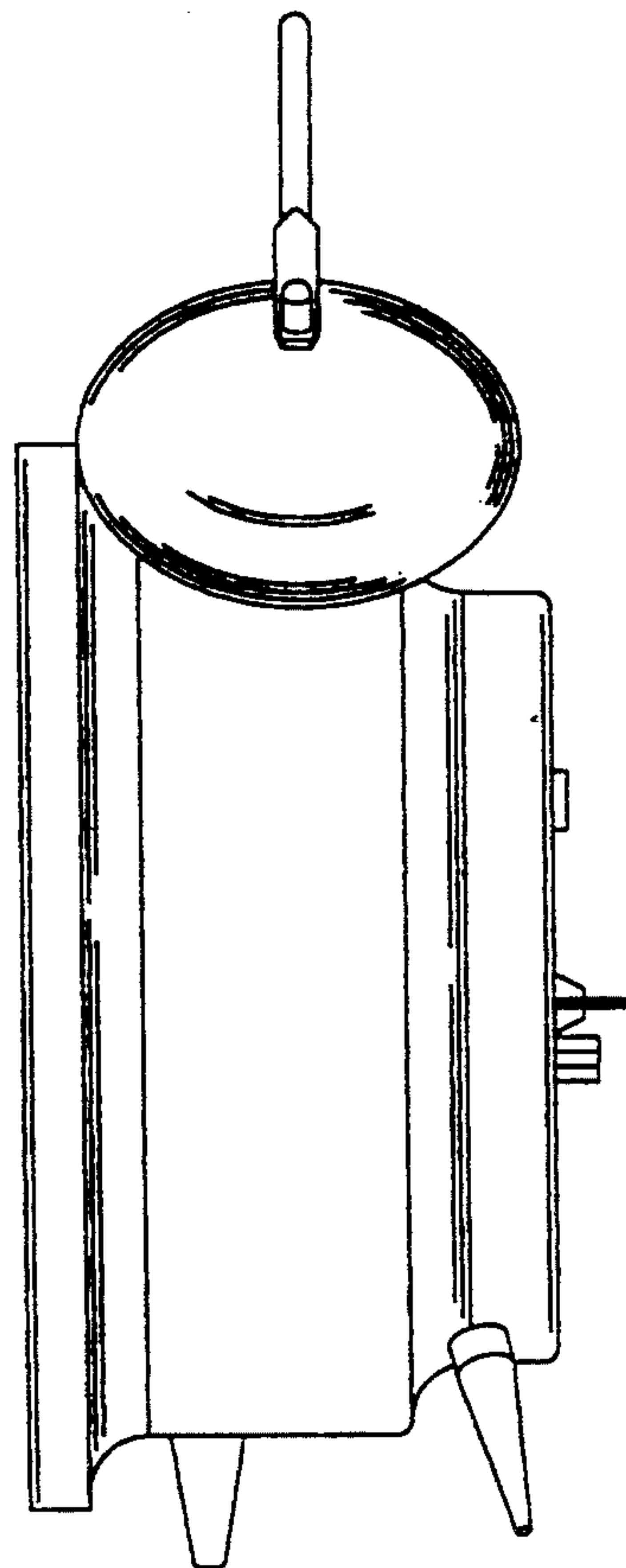
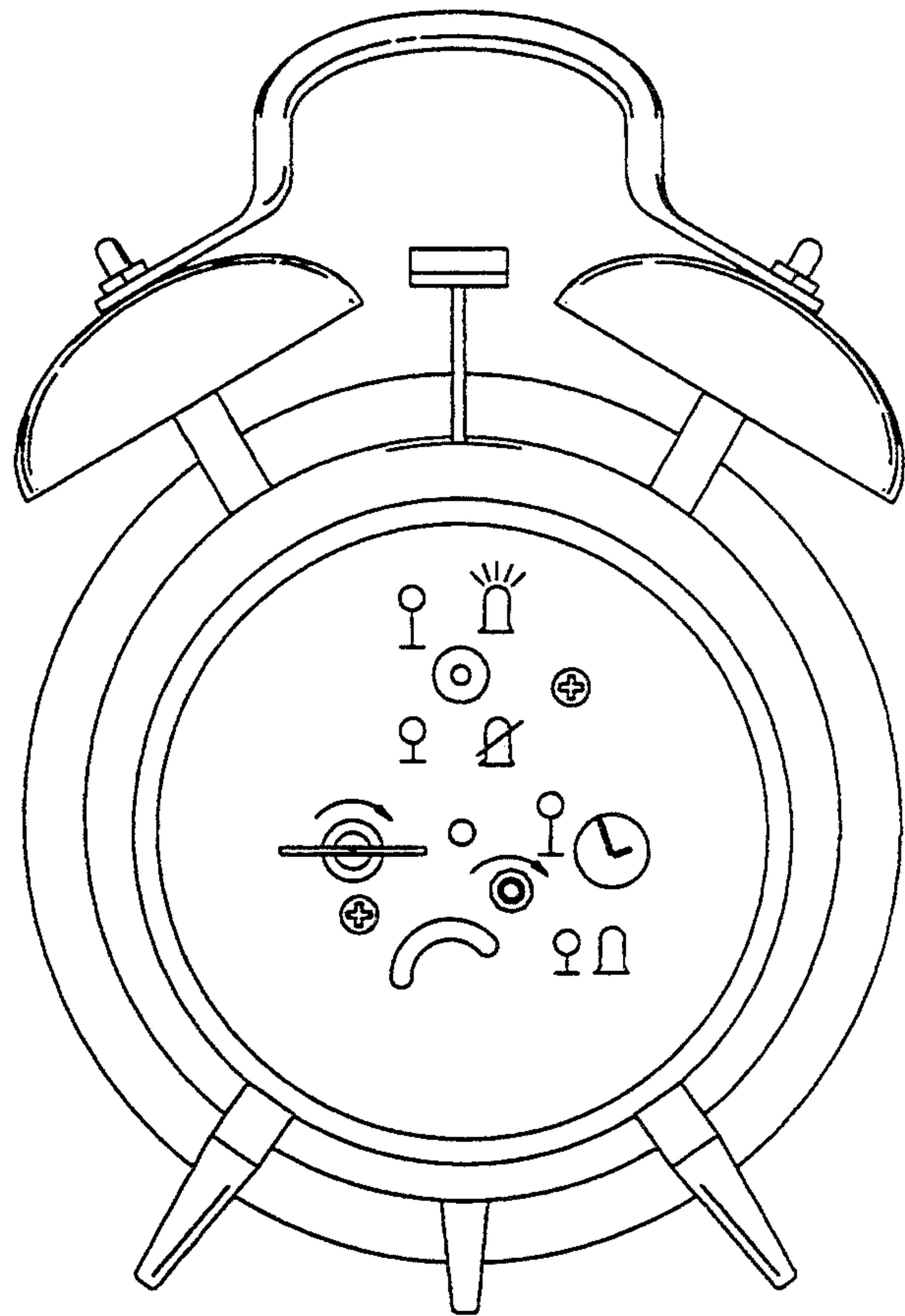


*Fig. 2*



*Fig. 3*

*Fig. 5*



*Fig. 4*