



US00D361939S

United States Patent [19]

[11] Patent Number: Des. 361,939

Wang

[45] Date of Patent: ** Sep. 5, 1995

[54] CLOCK

D. 355,855 2/1995 Dawson .

[76] Inventor: I-Hwa Wang, No. 16, Kuo-Tai Lane, Sec. 2, Chang-Pin Rd., Pei-Tun Dist., Taichung City, Taiwan

Primary Examiner—Nelson C. Holtje
Attorney, Agent, or Firm—Skjerven, Morrill, MacPherson, Franklin, & Friel

[**] Term: 14 Years

[57] CLAIM

[21] Appl. No.: 30,336

The ornamental design for clock, as shown and described.

[22] Filed: Oct. 27, 1994

[52] U.S. Cl. D10/7; D10/124

[58] Field of Search D10/1-40,
D10/122-132; D21/162; 368/276-277, 285,
316-317, 223, 228, 232

DESCRIPTION

FIG. 1 is a perspective view of clock showing my new design;

FIG. 2 is a front elevational view thereof;

FIG. 3 is a rear elevational view thereof;

FIG. 4 is a left side elevational view thereof;

FIG. 5 is a right side elevational view thereof;

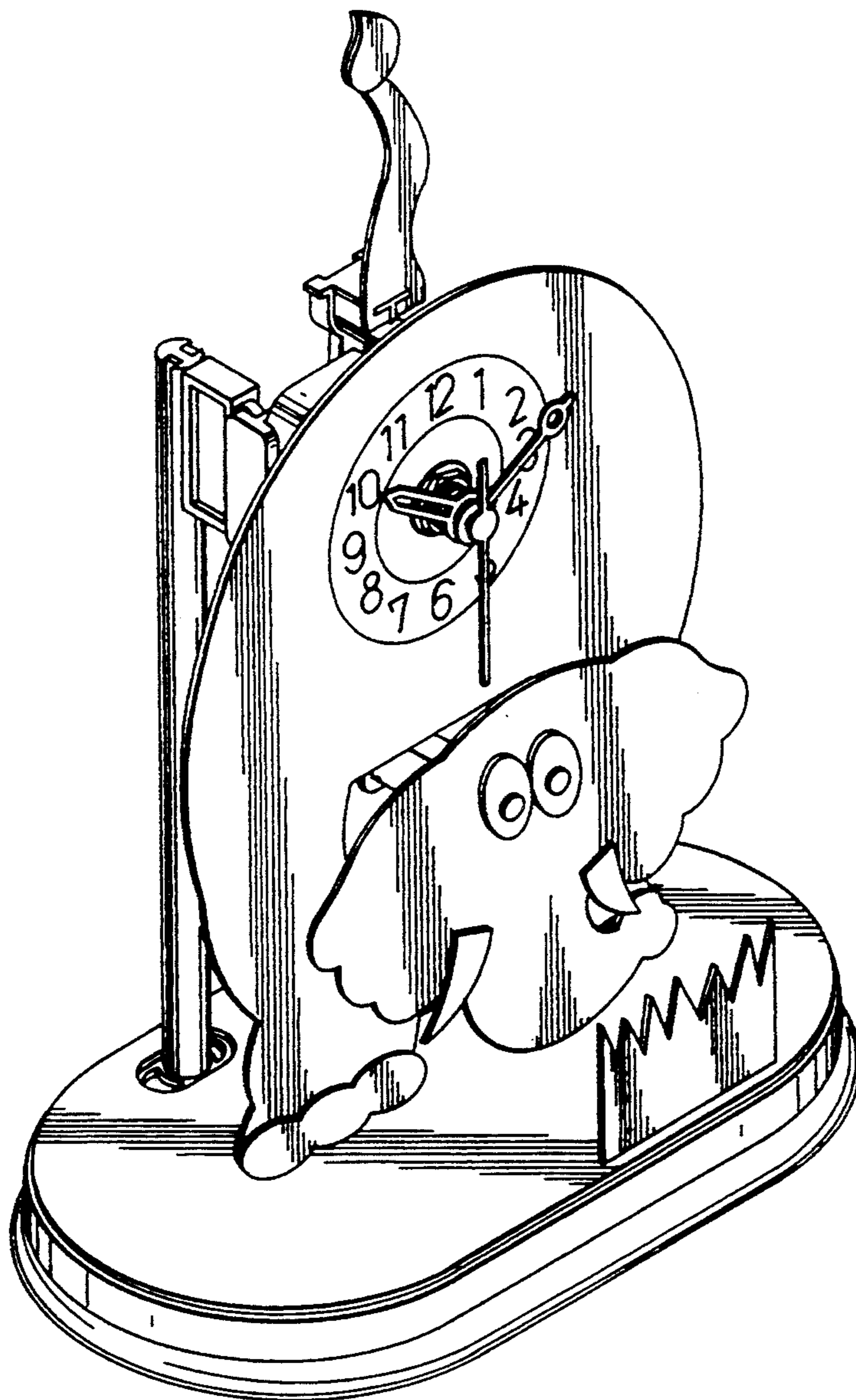
FIG. 6 is a top plan view thereof; and,

FIG. 7 is a bottom plan view thereof.

[56] References Cited

U.S. PATENT DOCUMENTS

- D. 73,846 11/1927 Katz D10/8
- D. 176,020 11/1955 Ising D10/7 X



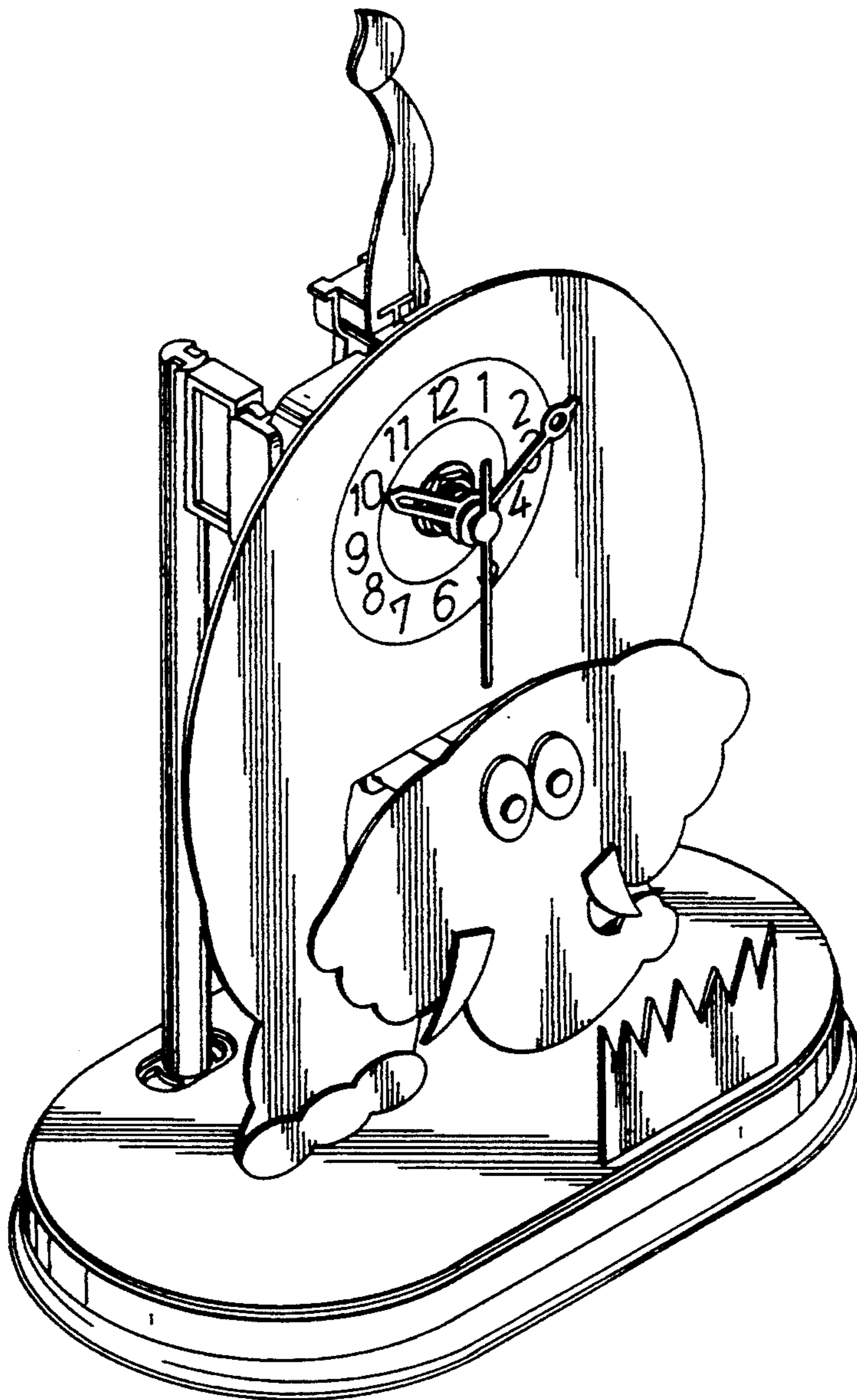


FIG. 1

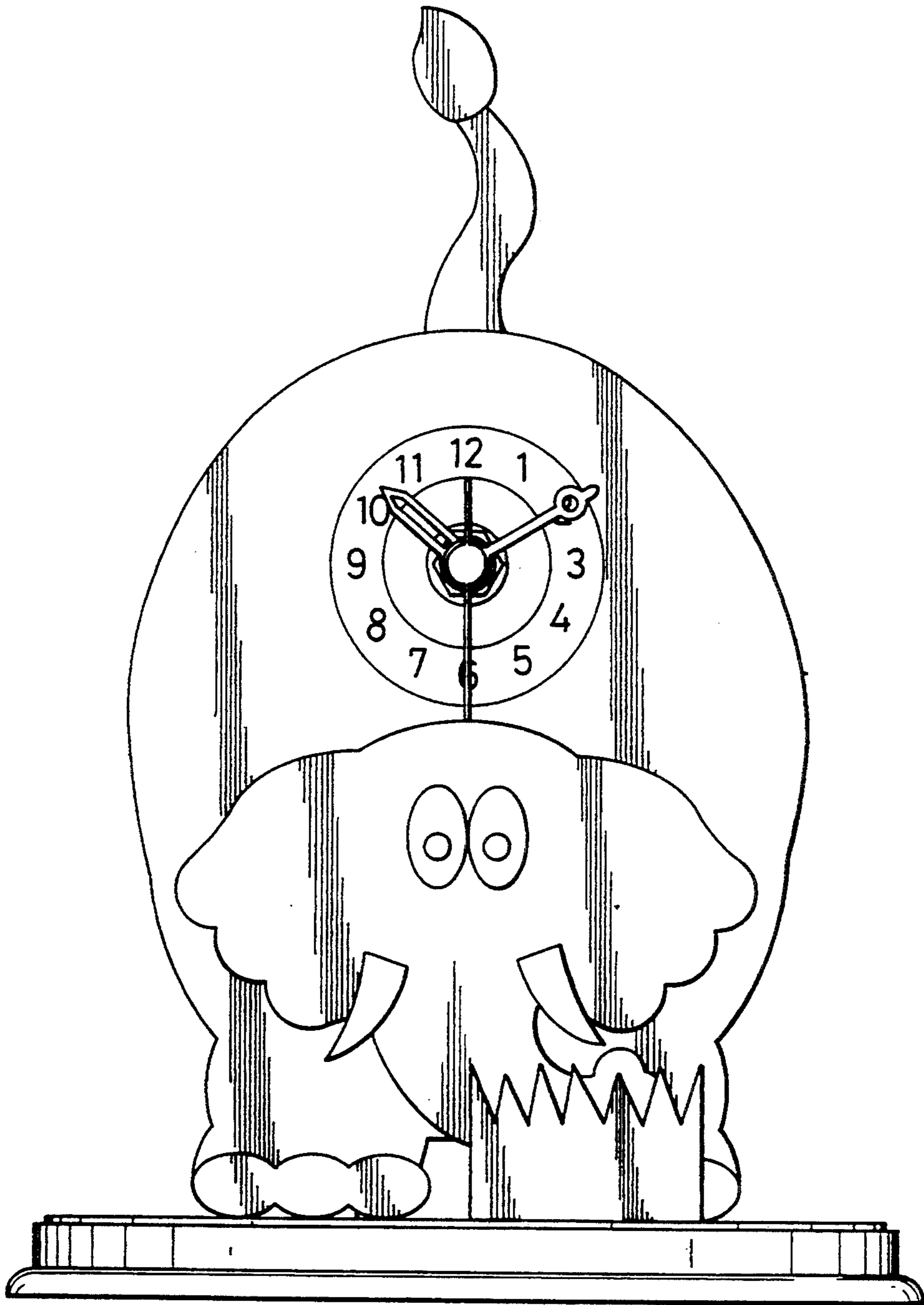


FIG.2

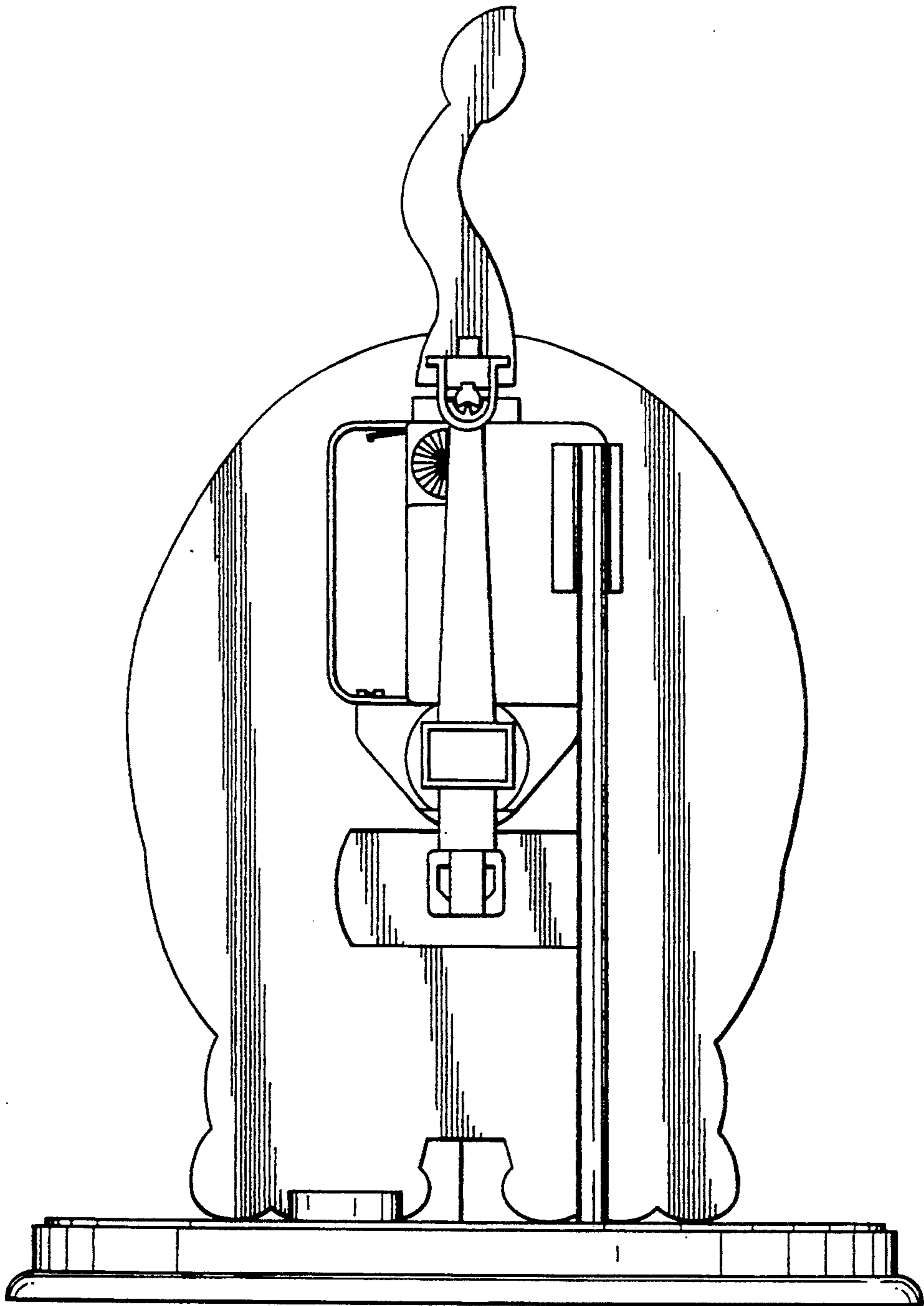


FIG. 3

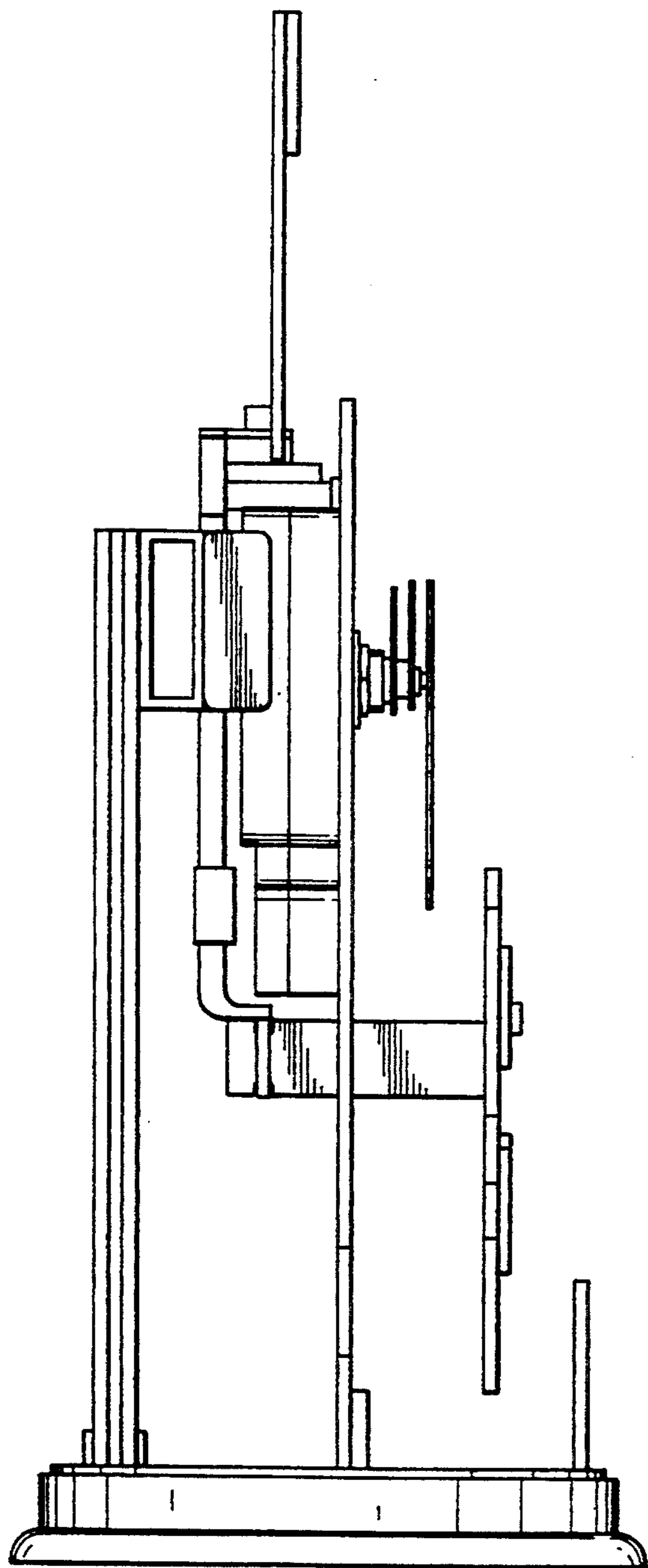


FIG. 4

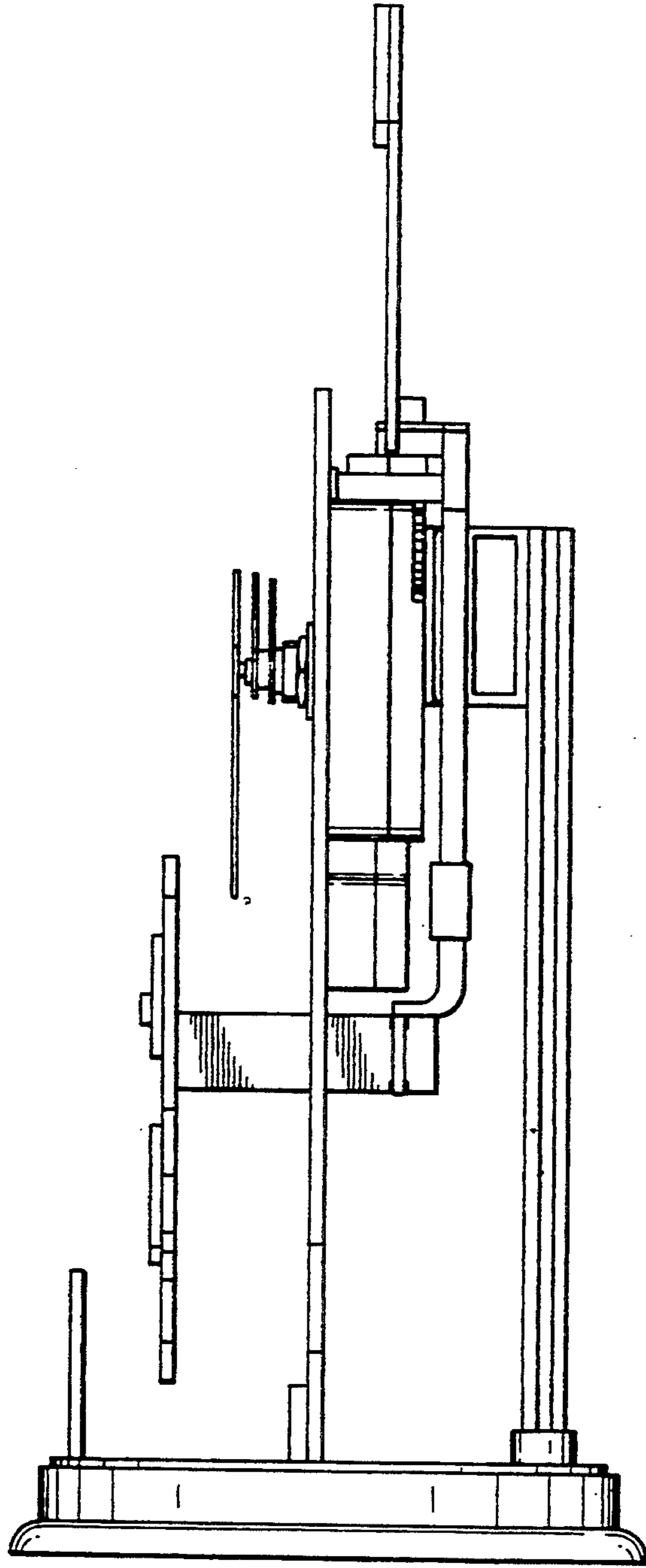


FIG. 5

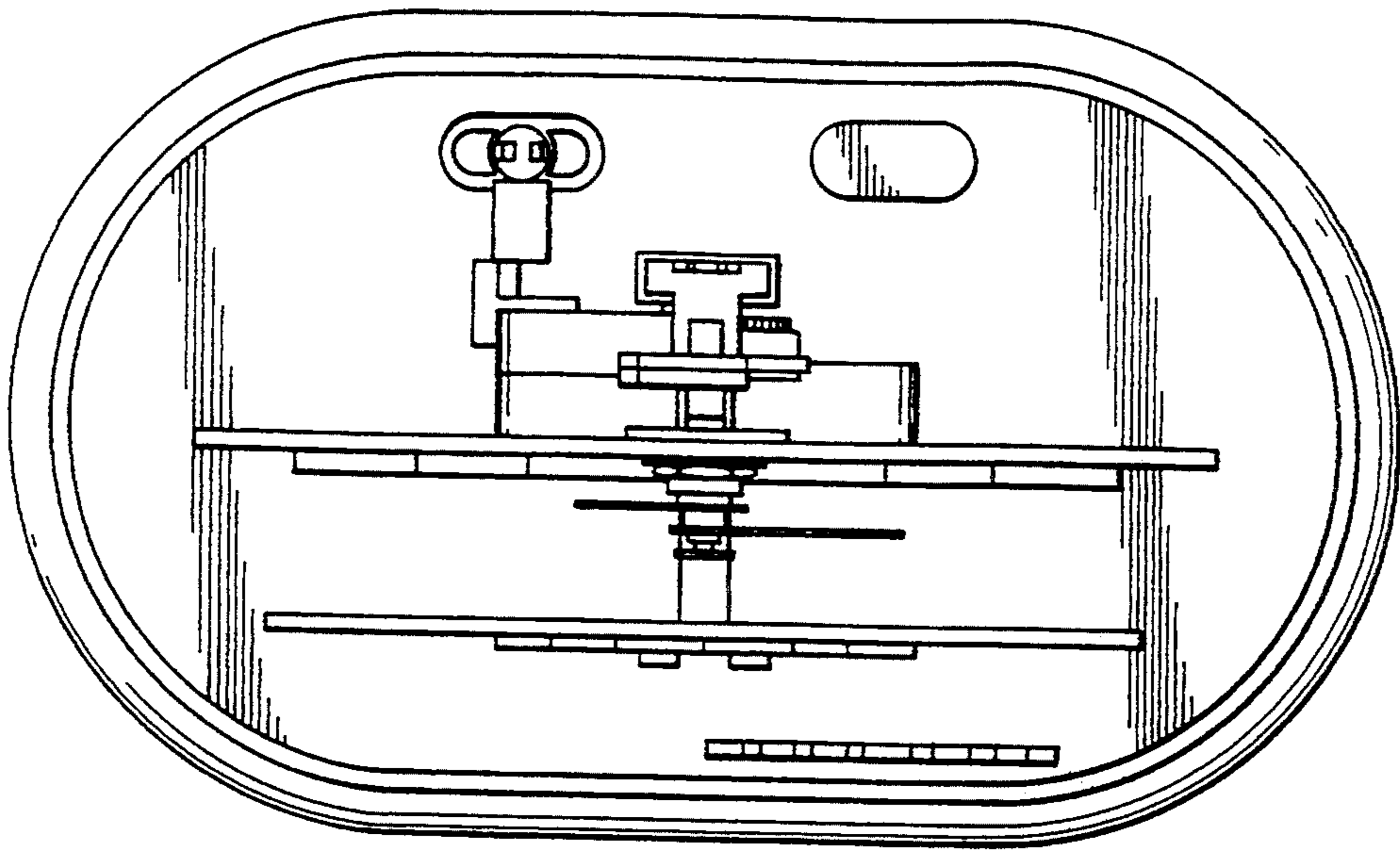


FIG. 6

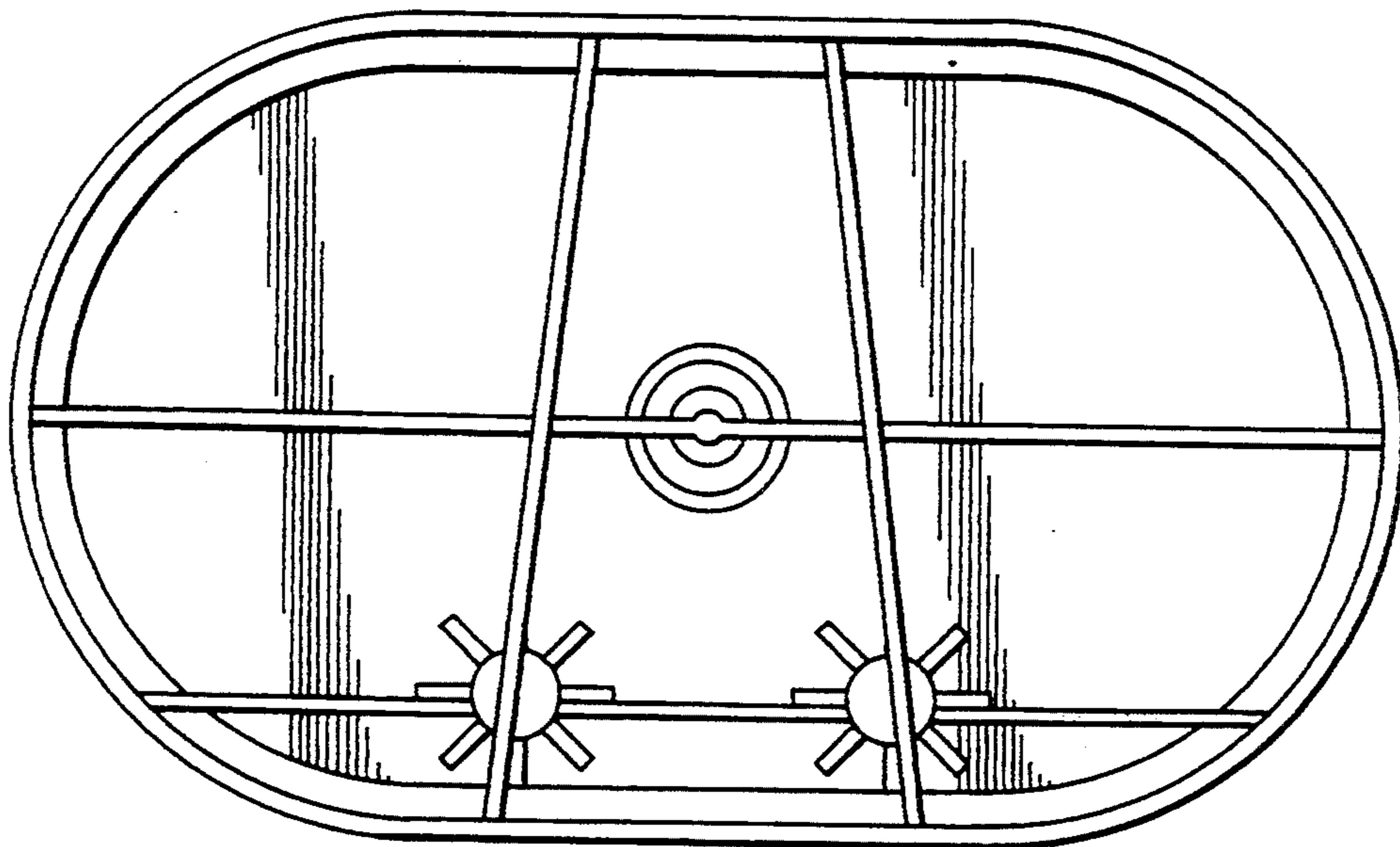


FIG. 7