



US00D361935S

United States Patent [19] Johnson

[11] Patent Number: **Des. 361,935**
[45] Date of Patent: **** Sep. 5, 1995**

[54] **COMBINED BAG CLOSURE AND HANDLE**

[75] Inventor: **Edward M. Johnson, Oakland, Me.**

[73] Assignee: **Net Pack Systems, Inc., Levittown, Pa.**

[**] Term: **14 Years**

[21] Appl. No.: **25,746**

[22] Filed: **Jul. 11, 1994**

[52] U.S. Cl. **D9/434**

[58] Field of Search **D7/622, 328; D8/300, D8/303, 307, 312-313; D9/434, 455, 499; 24/30.5 S, 130; 294/137, 159, 170; 383/6, 13, 25, 71, 78**

[56] **References Cited**

U.S. PATENT DOCUMENTS

- D. 137,712 4/1944 Miano D9/434
- D. 252,800 9/1979 Ernst .
- D. 257,426 10/1980 D'Alo .
- D. 259,238 5/1981 Schenck, III D6/328
- D. 269,253 6/1983 Gagnon D9/434
- D. 275,442 9/1984 Hayes .
- D. 278,798 5/1985 Smith .
- D. 278,974 5/1985 Ray D9/434
- D. 285,907 9/1986 Johnson D9/443
- D. 325,156 4/1992 Sweeny D9/434
- D. 326,613 6/1992 Babcock et al. D8/3000
- 2,437,072 3/1948 Campbell 383/25
- 2,735,149 2/1956 Frank .
- 3,002,240 10/1961 Laguerre .

- 3,164,249 1/1965 Paxton .
- 3,822,441 7/1974 Paxton .
- 4,197,983 4/1980 Raudys et al. .
- 4,361,935 12/1982 Paxton .
- 4,509,231 4/1985 Paxton .
- 4,571,779 2/1986 Koerschner et al. .
- 4,694,542 9/1987 Koppe .
- 4,760,624 8/1988 Fish .
- 4,896,366 1/1990 Oxman .
- 5,138,748 8/1992 Welles .
- 5,231,735 8/1993 Paxton 24/30.5 S
- 5,286,110 2/1994 Benson et al. .

FOREIGN PATENT DOCUMENTS

- 2551028A 3/1985 France 383/6

Primary Examiner—Alan P. Douglas
Assistant Examiner—Robert M. Spear
Attorney, Agent, or Firm—Howson and Howson

[57] **CLAIM**

The ornamental design for the combined bag closure and handle, as shown and described.

DESCRIPTION

FIG. 1 is a perspective view of a combined bag closure and handle according to the invention;
FIG. 2 is a front elevational view of a combined bag closure and handle, the rear elevational view being identical thereto;
FIG. 3 is a right side view of FIG. 2, the left side view being identical thereto;
FIG. 4 is a top plan view of FIG. 1; and,
FIG. 5 is a bottom plan view of FIG. 1.

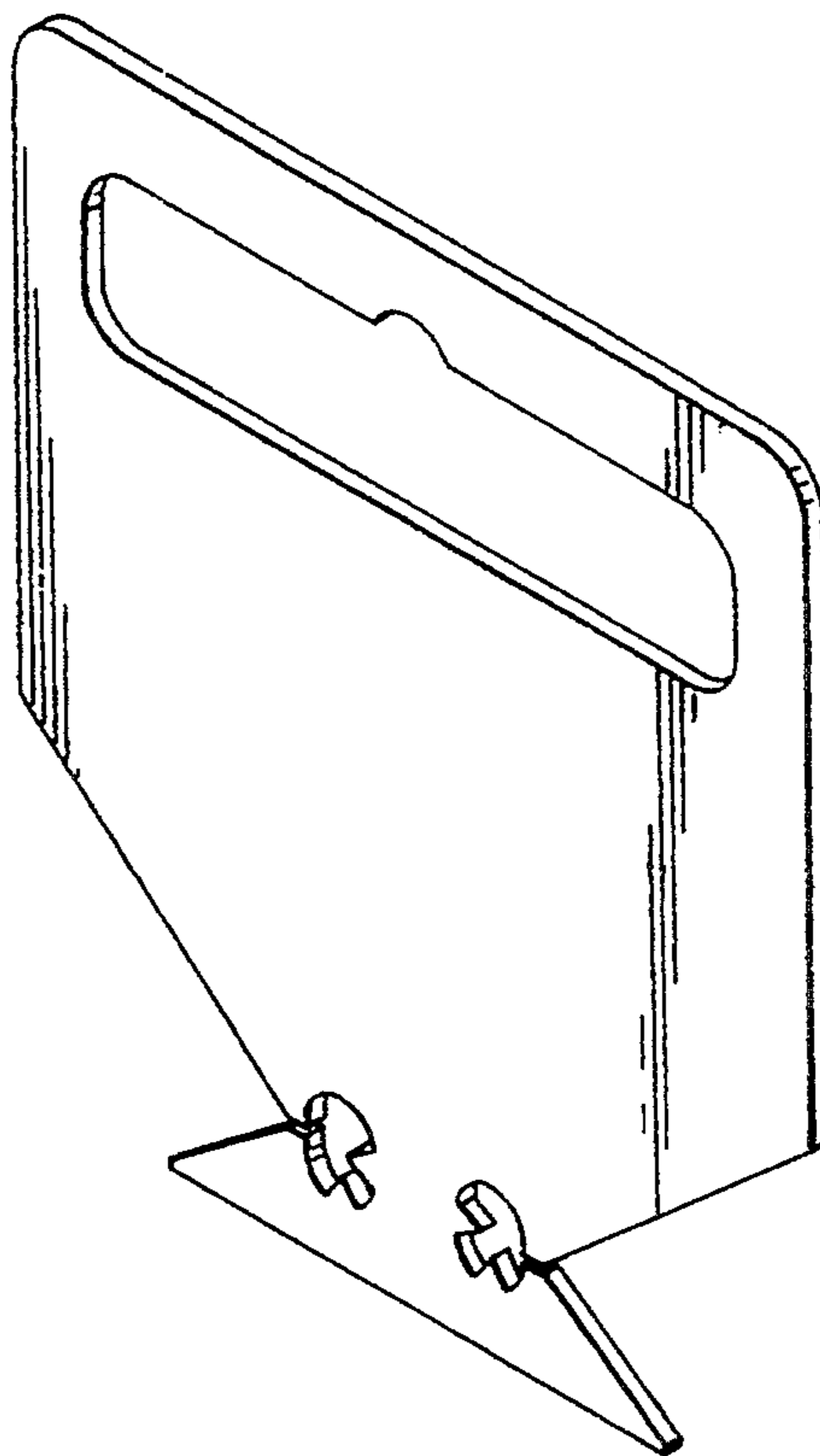


FIG. 1

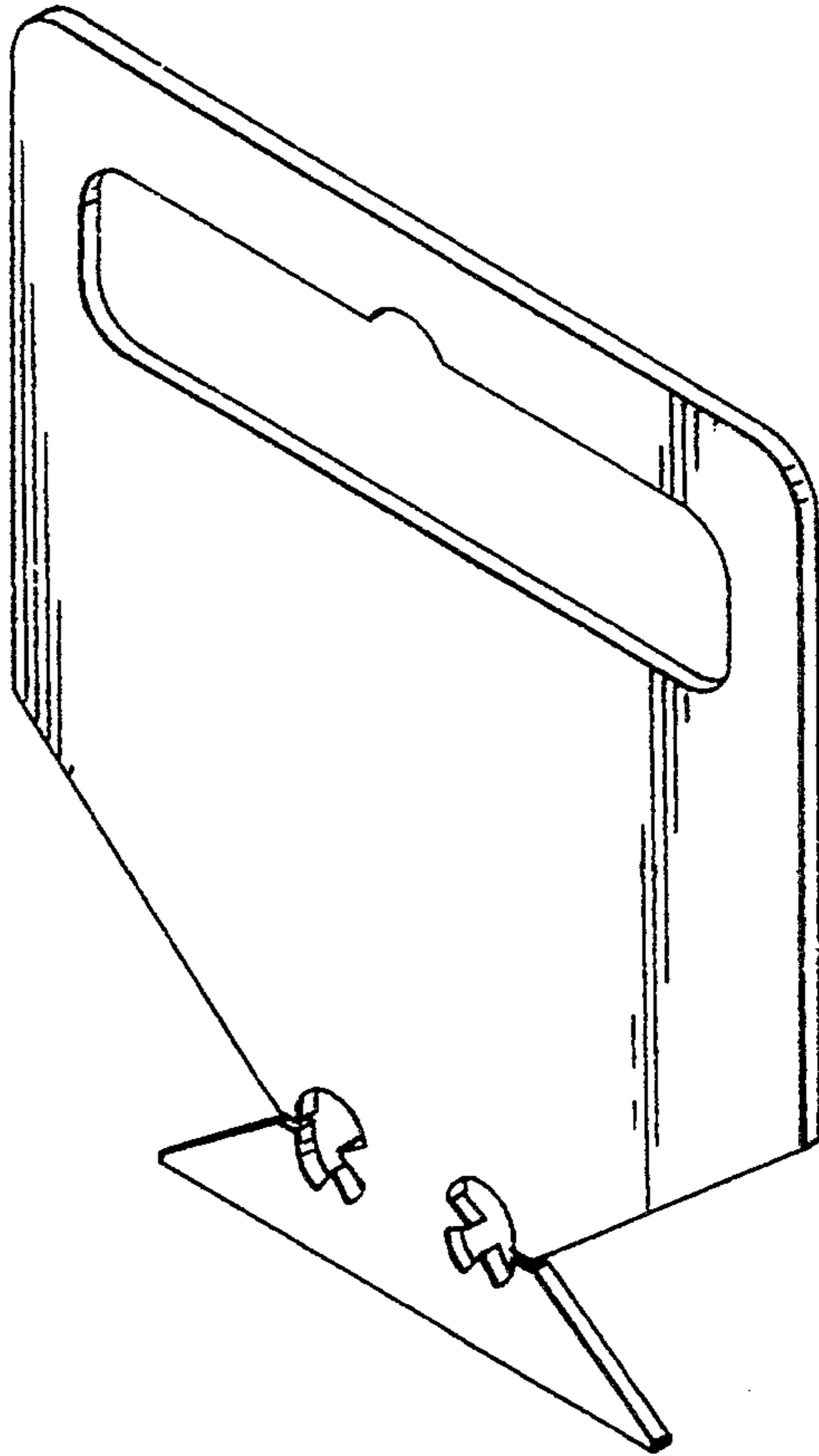


FIG. 2

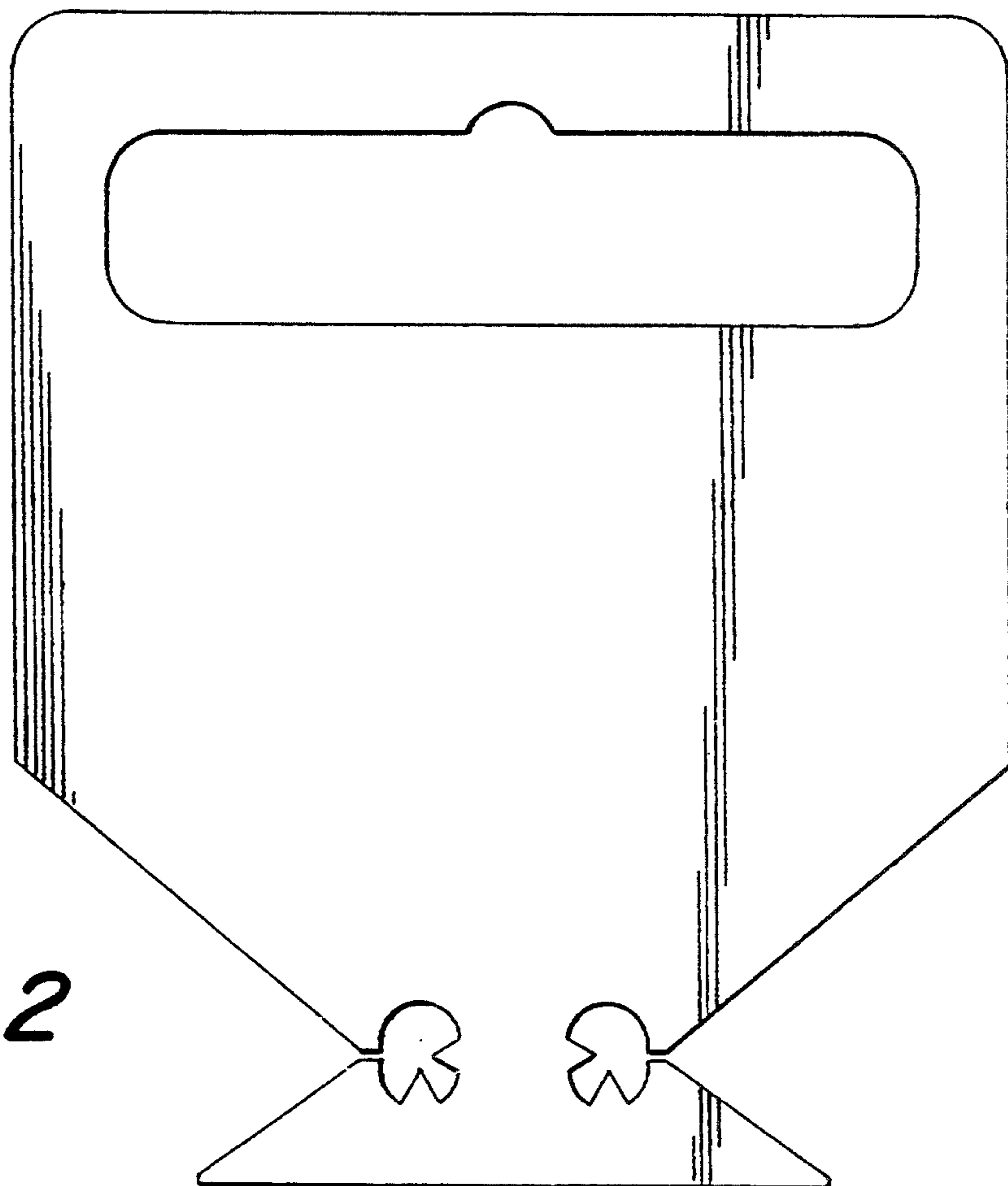


FIG. 3



FIG. 4

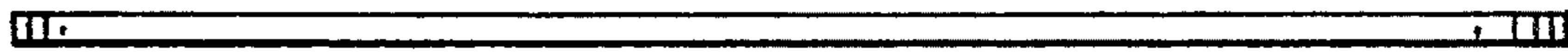


FIG. 5

