



US00D361933S

United States Patent [19]

[11] Patent Number: **Des. 361,933**

Meyer et al.

[45] Date of Patent: **** Sep. 5, 1995**

[54] **INSULATED SHIPPING CONTAINER**

3,416,692 12/1968 Cline et al. 220/457
3,856,178 12/1974 Norgaard 220/23.83

[75] Inventors: **Chris E. Meyer, Xenia; Nicholas Wynne, Hillard, both of Ohio**

Primary Examiner—Prabhakar G. Deshmukh
Attorney, Agent, or Firm—Jacox & Meckstroth

[73] Assignee: **VacuPanel, Inc., Xenia, Ohio**

[57] **CLAIM**

[**] Term: **14 Years**

The ornamental design of an insulated shipping container, as shown and described.

[21] Appl. No.: **22,903**

DESCRIPTION

[22] Filed: **May 16, 1994**

[52] U.S. Cl. **D9/425**

[58] Field of Search D9/424, 425; 220/4.34, 220/1.5, 574, 408-413, 420-425, 427, 431, 444, 902; 206/557, 559, 522; D30/129; D7/605

FIG. 1 is a perspective view of an insulated shipping container showing our new design; FIG. 2 is a front view thereof; FIG. 3 is a rear view thereof; FIG. 4 is a side view thereof, the opposite side view being a mirror image thereof; FIG. 5 is a top view thereof; and, FIG. 6 is a bottom view thereof.

[56] **References Cited**

U.S. PATENT DOCUMENTS

3,093,259 6/1963 Morrison 220/421

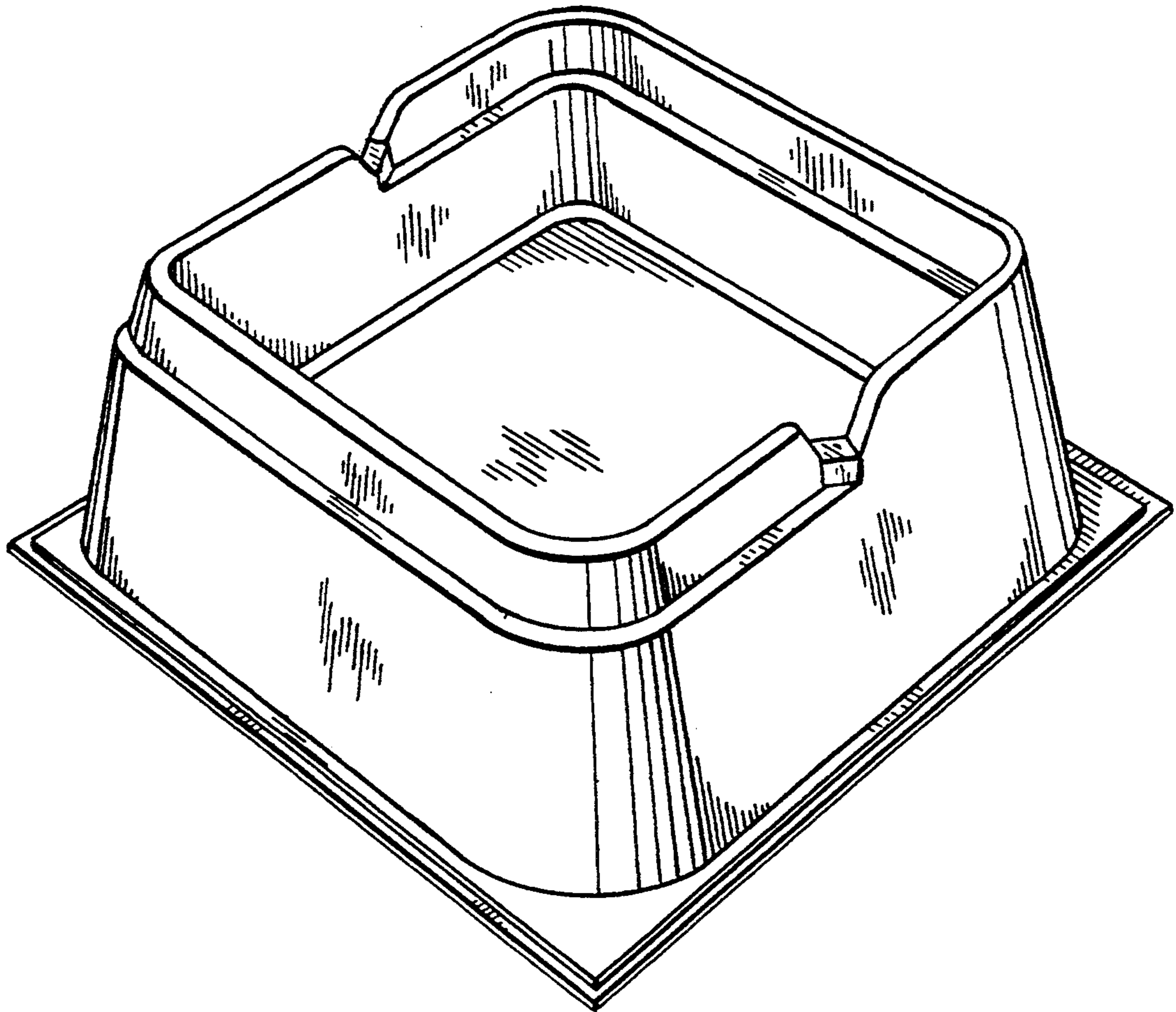


FIG-1

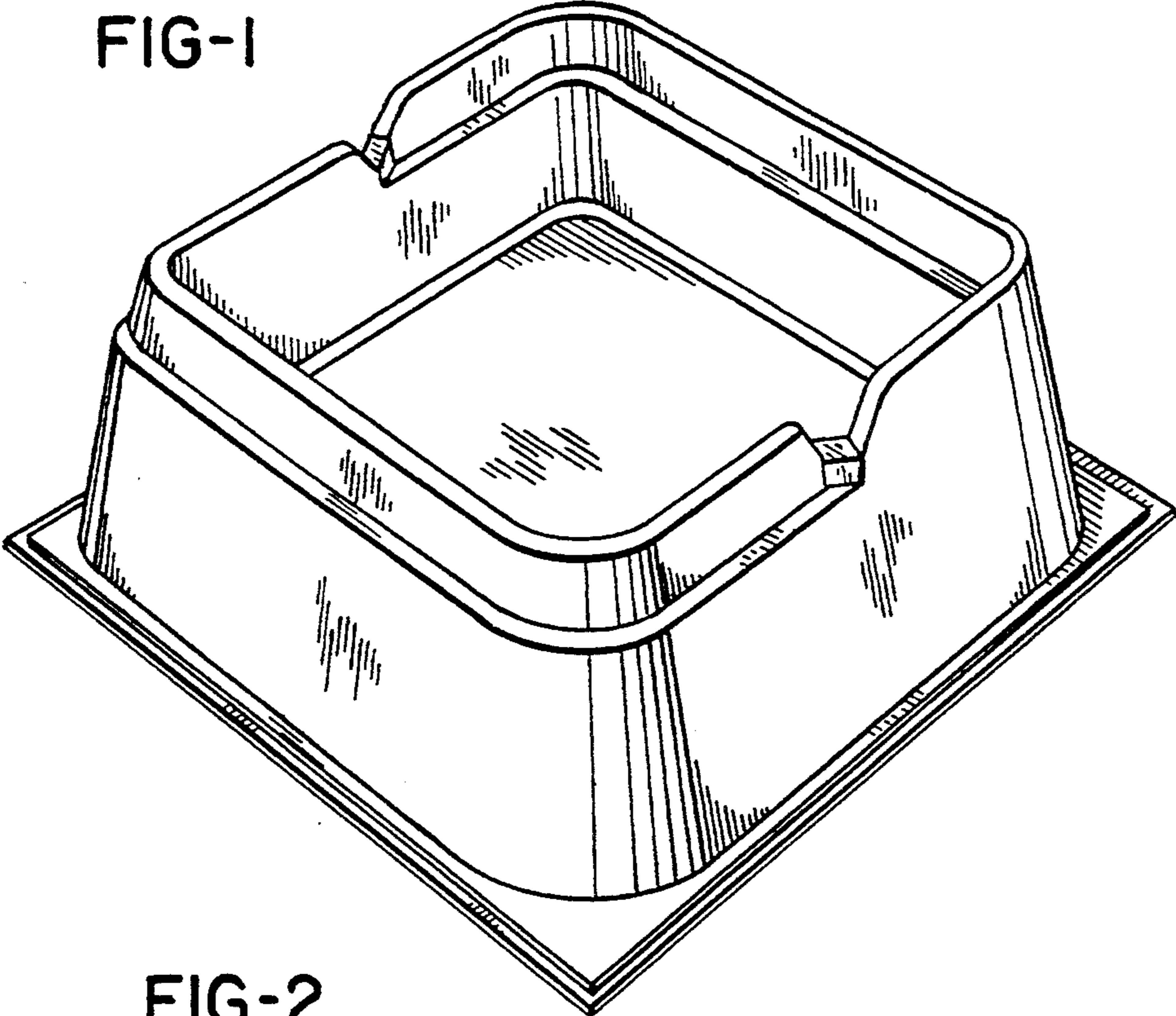


FIG-2

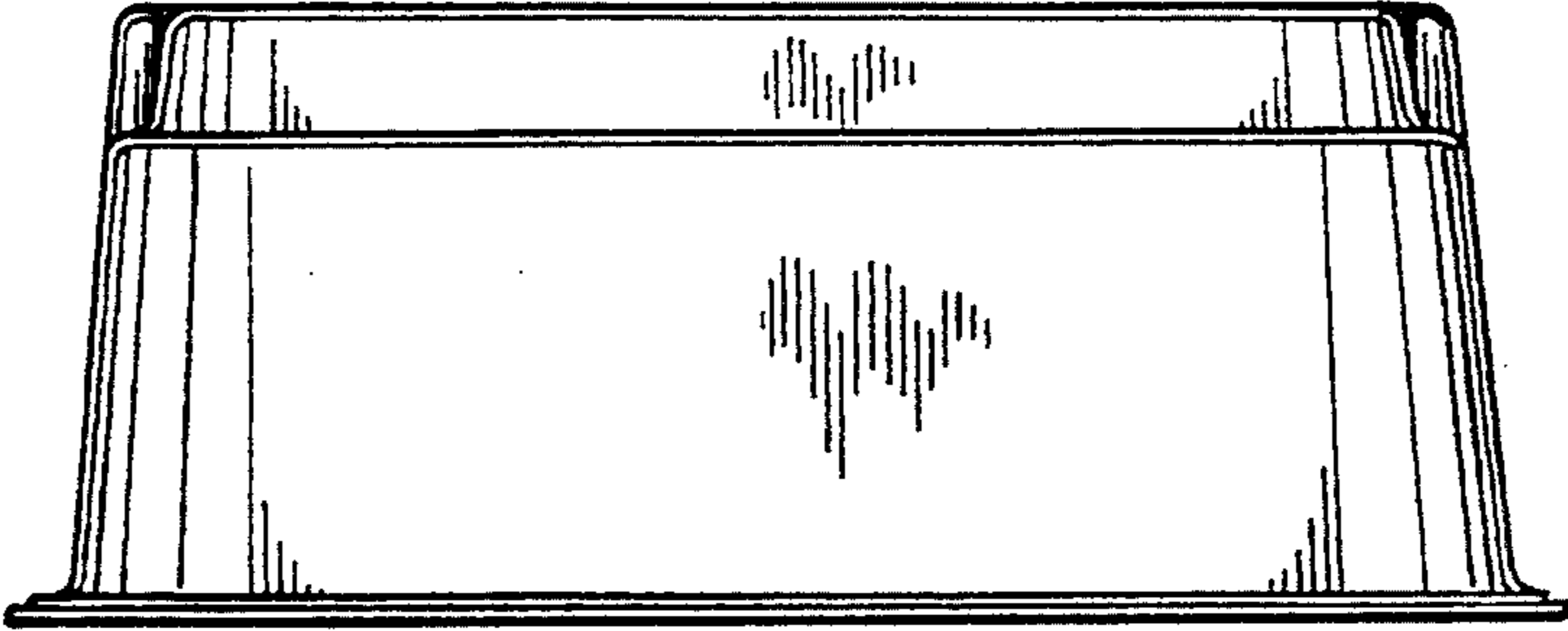


FIG-3

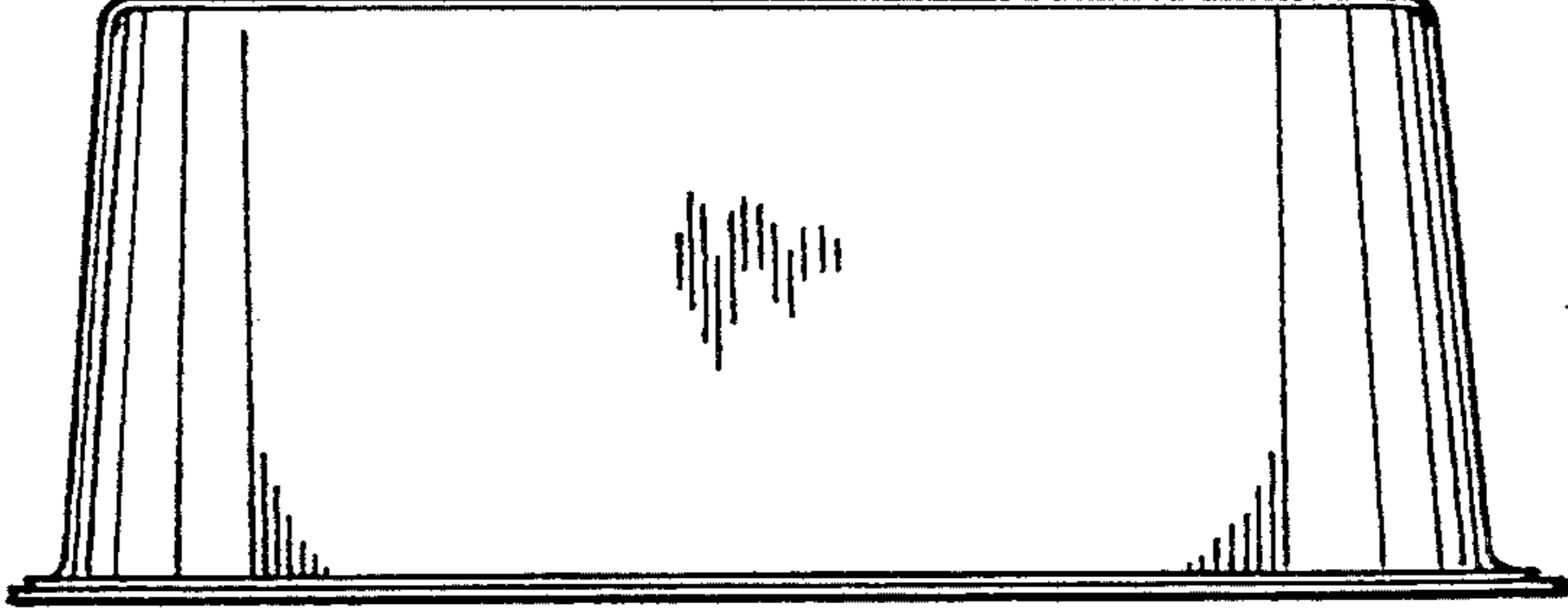


FIG-4

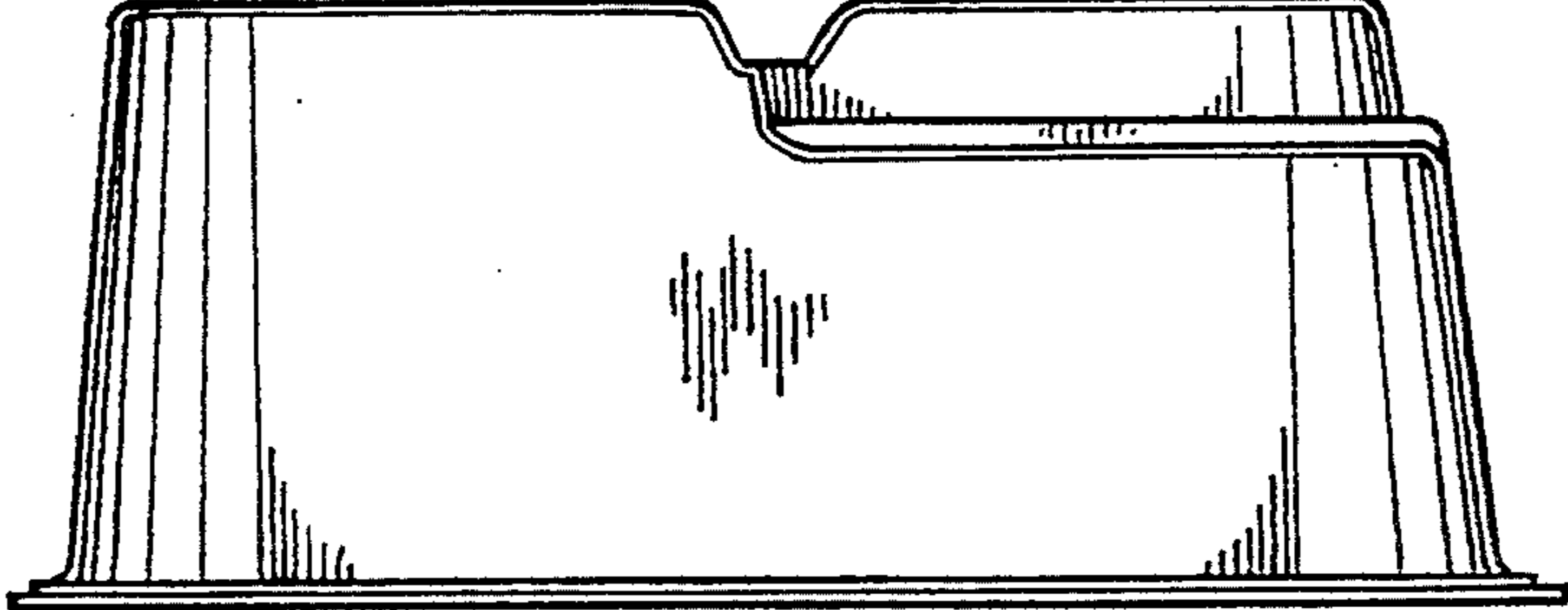


FIG-5

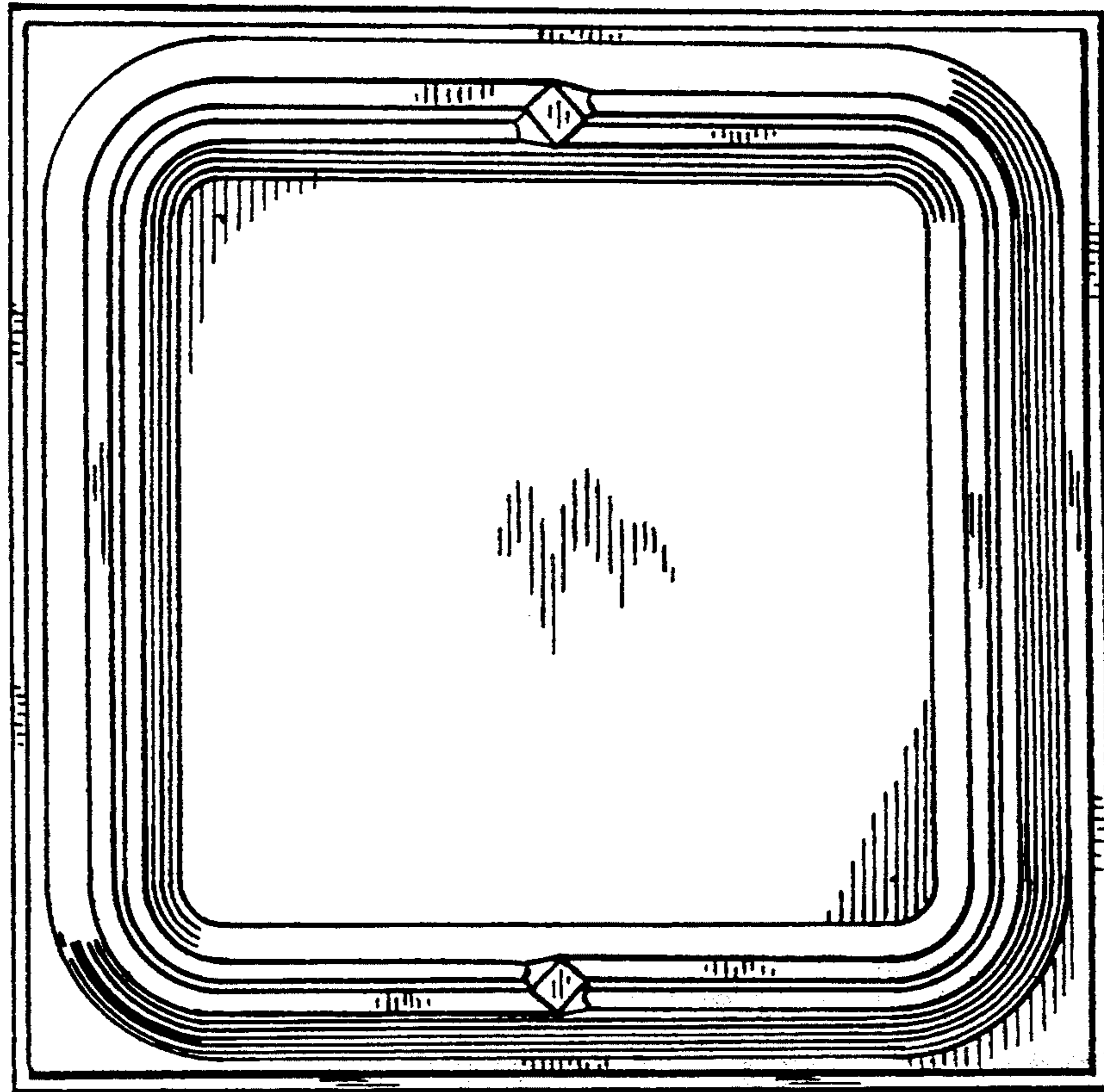


FIG-6

