



US00D361929S

# United States Patent [19]

[11] Patent Number: **Des. 361,929**

Weinerman et al.

[45] Date of Patent: **\*\* Sep. 5, 1995**

[54] **HANDLE OPERATED HEAVY DUTY DRAW LATCH ASSEMBLY WITH LOCKABLE SAFETY CATCH**

4,588,216	5/1986	Hinds .....	292/113
4,890,869	1/1990	Langkamp, Jr. ....	292/113
5,257,839	11/1993	Nielsen et al. ....	292/113
5,287,602	2/1994	Dykstra .....	24/463

[75] Inventors: **Lee S. Weinerman, Medina; Arthur J. Kuminski, Parma; James L. Hollingsworth, Middleburg Heights, all of Ohio**

[73] Assignee: **The Eastern Company, Cleveland, Ohio**

[\*\*] Term: **14 Years**

[21] Appl. No.: **26,361**

[22] Filed: **Jul. 26, 1994**

### Related U.S. Application Data

[63] Continuation-in-part of Ser. No. 65,283, May 21, 1993, abandoned, and a continuation-in-part of Ser. No. 8,629, May 21, 1993, abandoned, and a continuation-in-part of Ser. No. 278,008, Jul. 20, 1994, and a continuation-in-part of Ser. No. 26,147, Jul. 20, 1994.

[52] U.S. Cl. .... **D8/336**

[58] Field of Search ..... **D8/330-331, D8/336, 338, 302, 306; 292/247, 250, 262, 281, DIG. 12, DIG. 30**

### [56] References Cited

#### U.S. PATENT DOCUMENTS

D. 333,775	3/1993	Krape .....	D8/331 X
1,734,282	11/1929	White .....	292/250
3,519,298	7/1970	Gley et al. ....	292/113
3,936,082	2/1976	Swanson .....	292/113
4,116,479	9/1978	Poe .....	292/113
4,307,906	12/1981	Schenk .....	292/247
4,326,739	4/1982	Schlueter .....	292/247
4,493,133	1/1985	Nilsson .....	24/68
4,530,529	7/1985	Poe et al. ....	292/113
4,531,769	7/1985	Glancy .....	292/113
4,540,206	9/1985	Frame et al. ....	292/66

### OTHER PUBLICATIONS

De-Sta-Co Advertising Sheet, Series MA50 "Pull Action Clamps," De-Sta-Co Company, Troy, Mich. 48007 (Date Unknown, But is Prior To May of 1992).  
De-Sta-Co Catalog "The World of Clamping," pp. 23-28, 42-44 & 49-51, De-Sta-Co Company, Troy, Mich. 48007 (Believed to Have Been Published Mar., 1993).

Nielsen Hardware Corp Catalogue (1986), p. 30. Adjustable catch.

Primary Examiner—Brian N. Vinson

Attorney, Agent, or Firm—David A. Burge

### [57] CLAIM

The ornamental design for a handle operated heavy duty draw latch assembly with lockable safety catch, as shown and described.

### DESCRIPTION

FIG. 1 is a top, front, and left side perspective view of a handle operated heavy duty draw latch assembly with lockable safety catch showing our new design;

FIG. 2 is a front elevational view thereof;

FIG. 3 is a rear elevational view thereof;

FIG. 4 is a top plan view thereof;

FIG. 5 is a bottom plan view thereof;

FIG. 6 is a right side elevational view thereof;

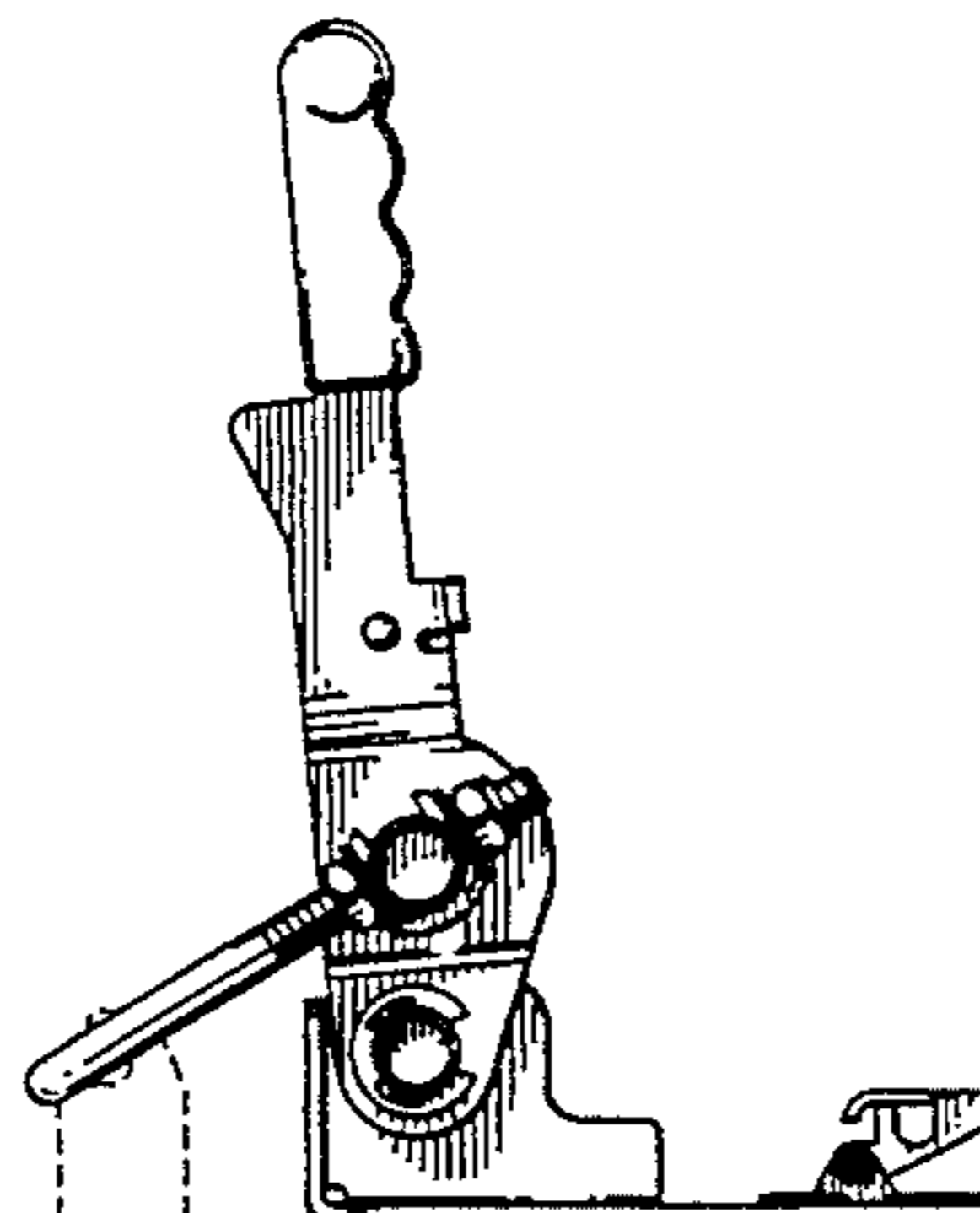
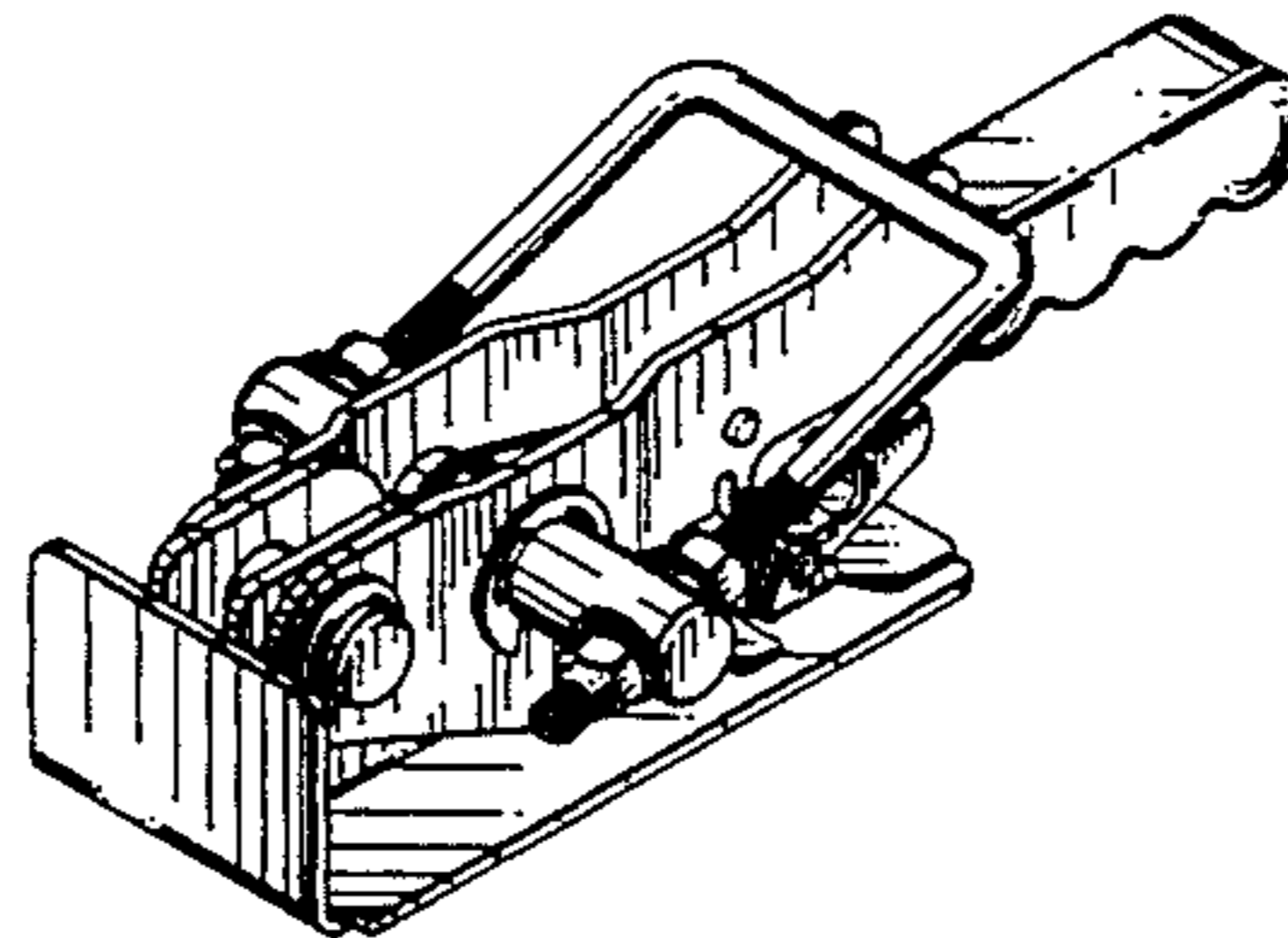
FIG. 7 is a left side elevational view thereof;

FIG. 8 is a front elevational view thereof, shown in a pivoted position;

FIG. 9 is a front elevational view thereof; and,

FIG. 10 is a top plan view thereof.

The broken-line disclosure of a latch engagable post in FIGS. 8-10 is for illustrative purposes only and forms no part of the claimed design.



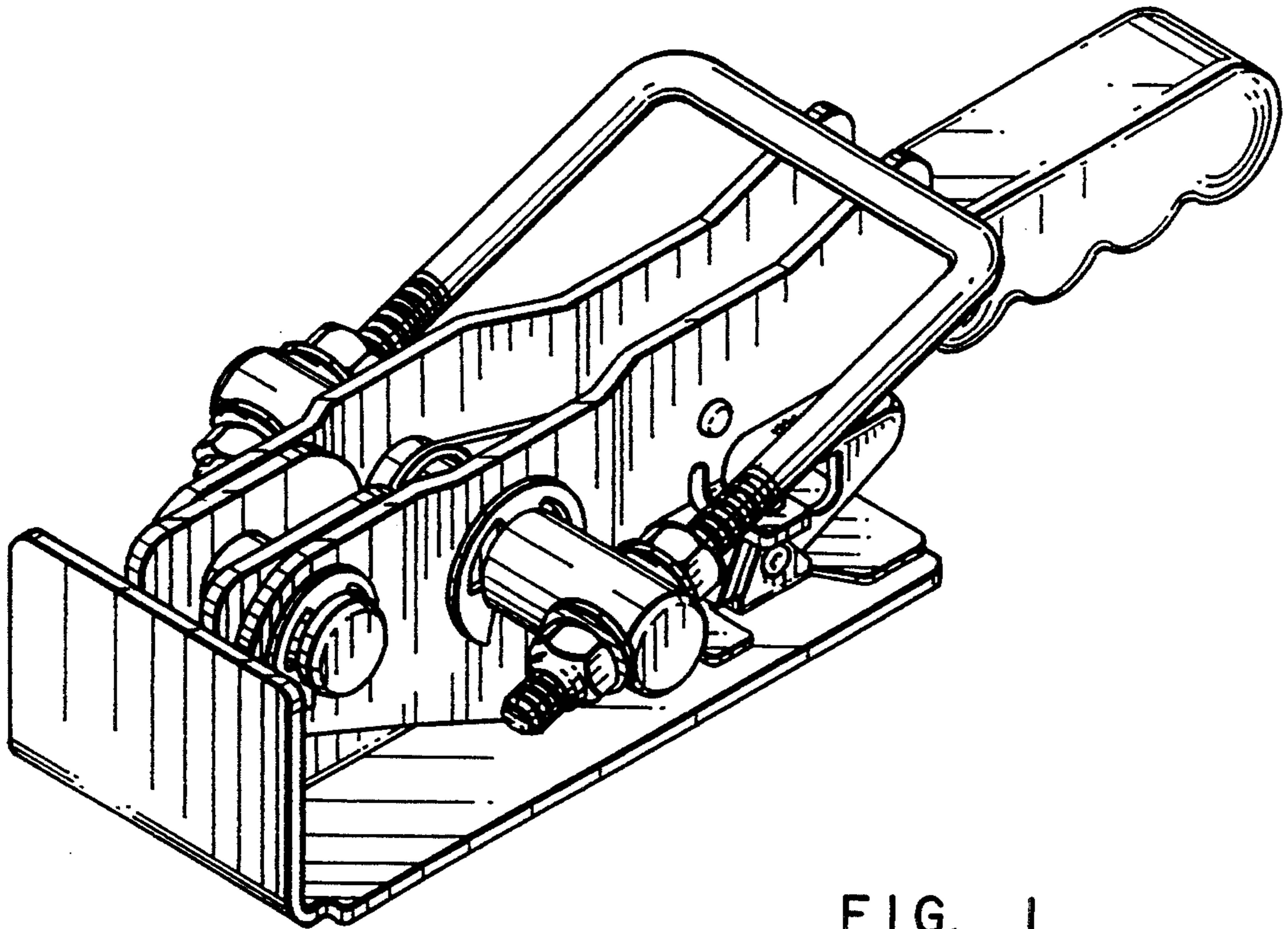


FIG. 1

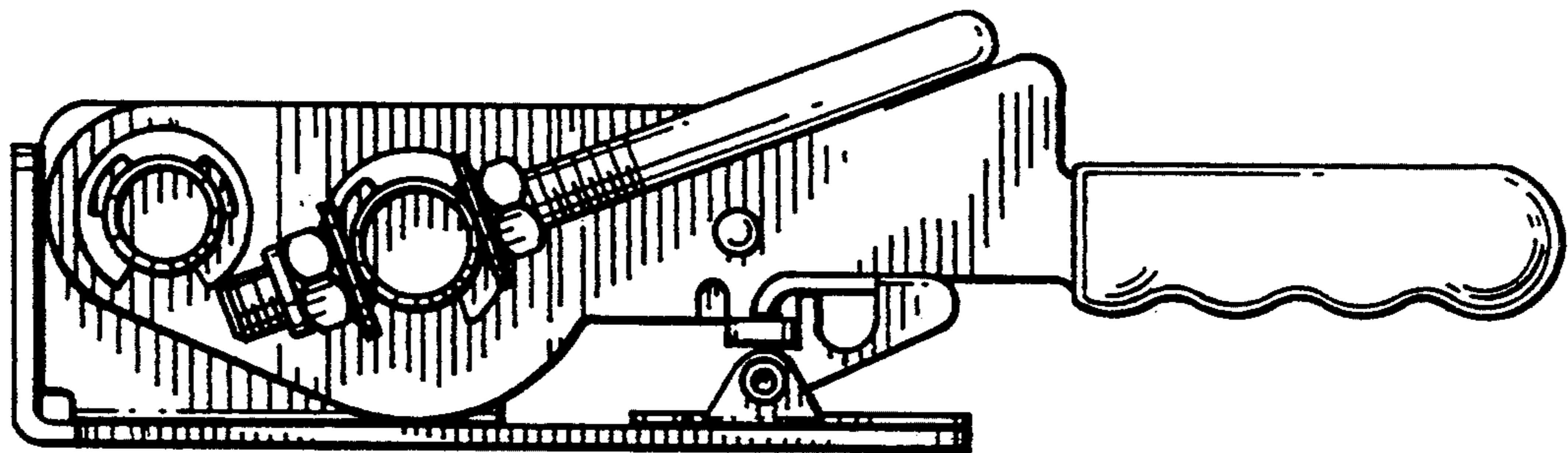


FIG. 2

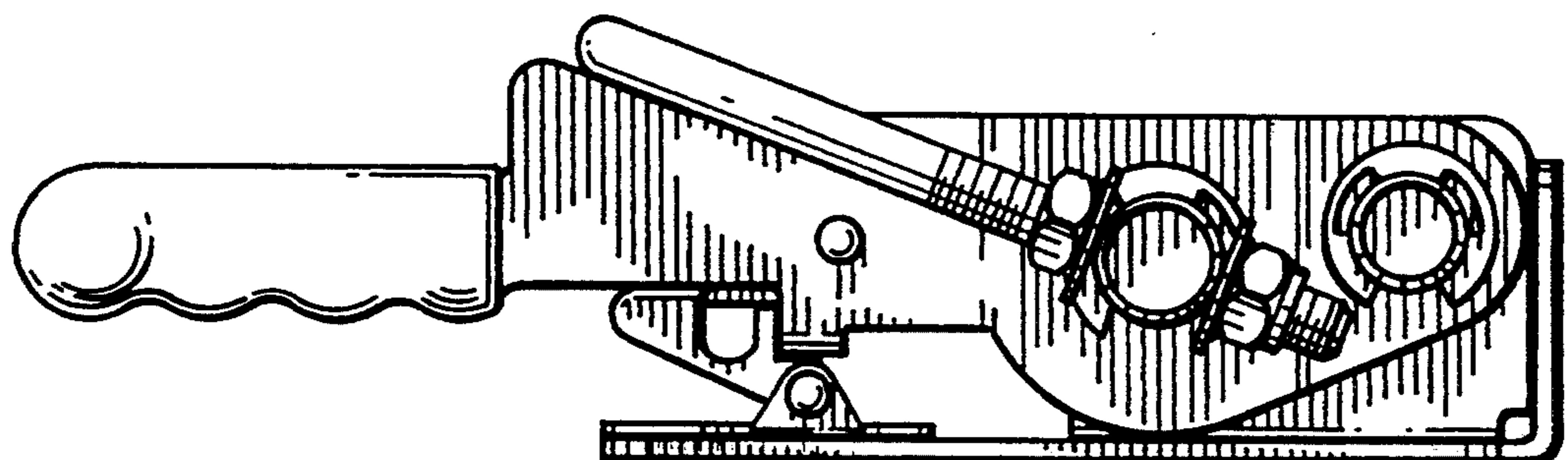


FIG. 3

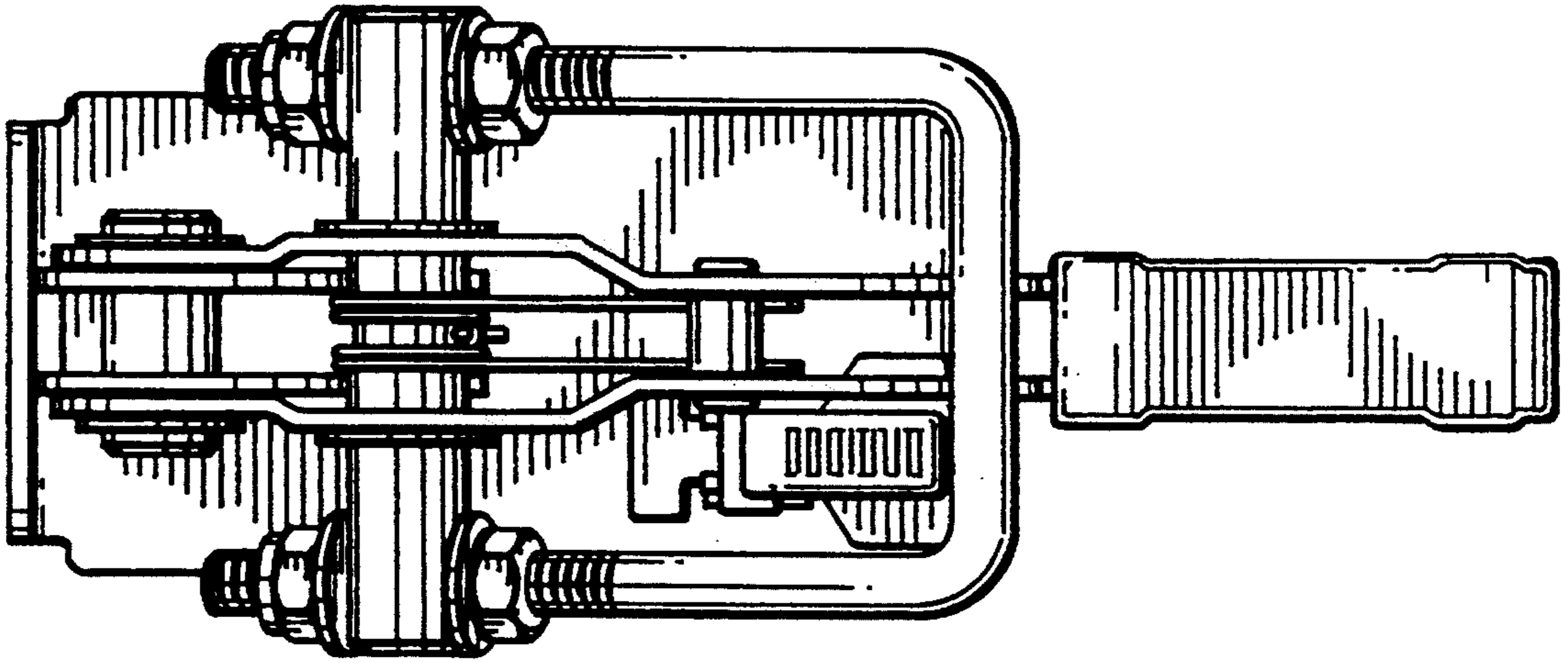


FIG. 4

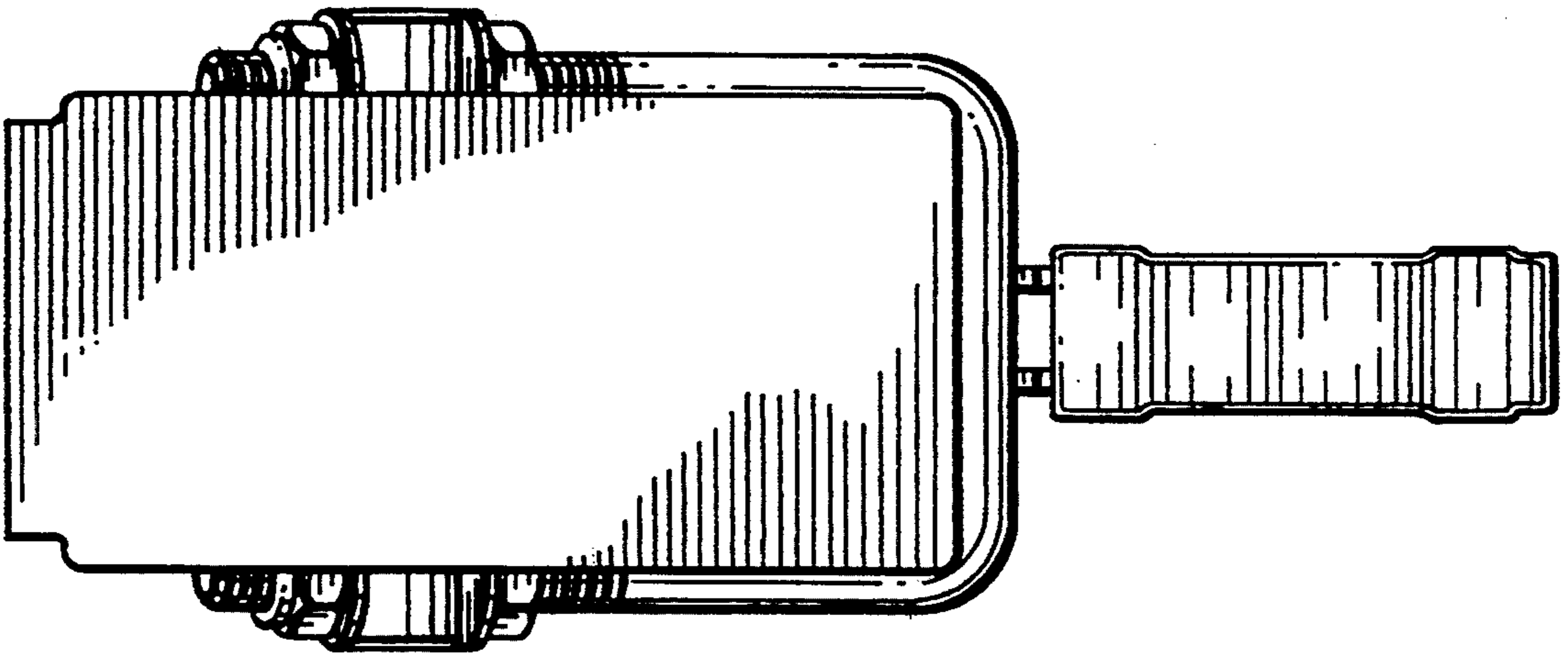


FIG. 5

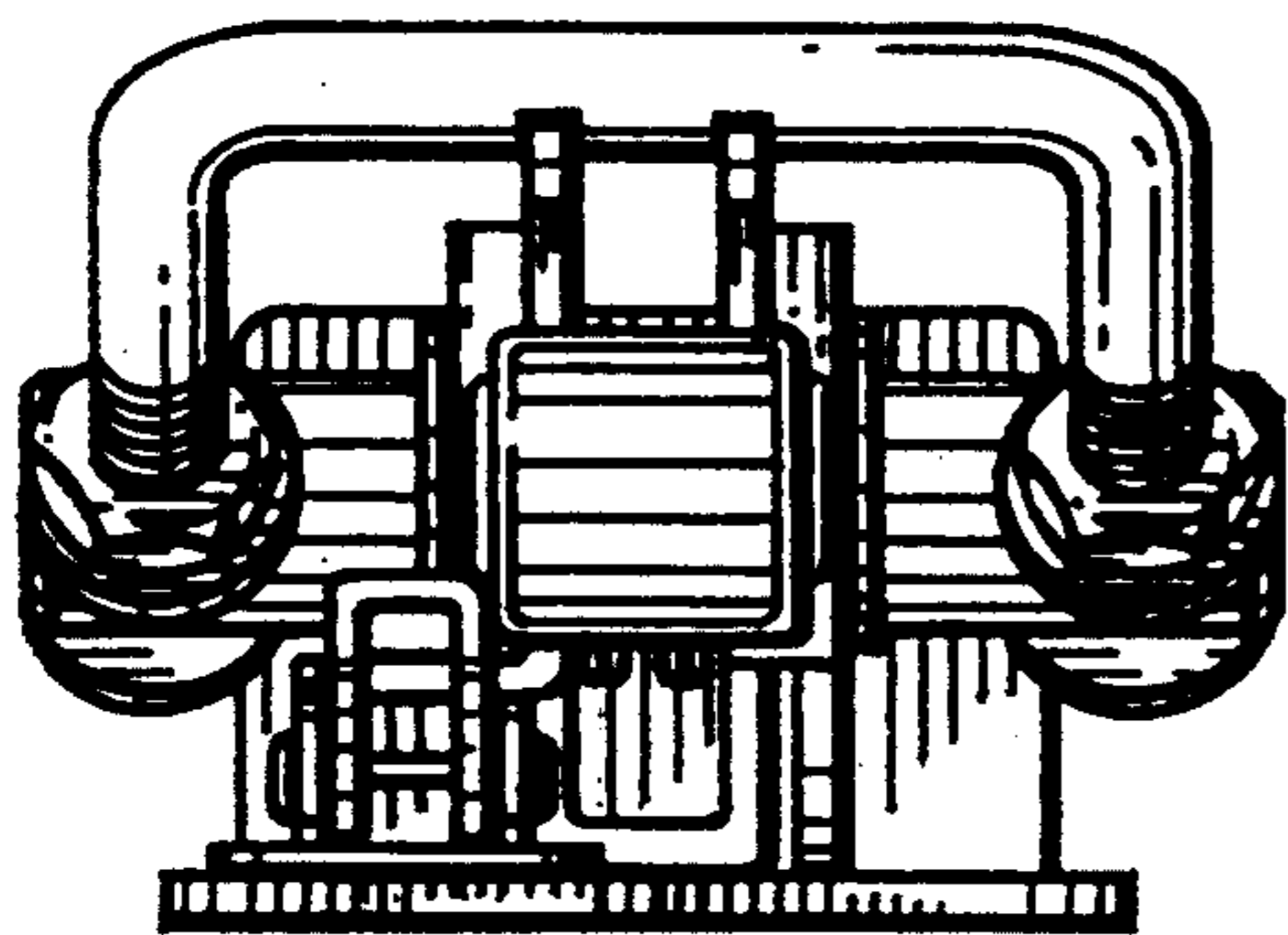


FIG. 6

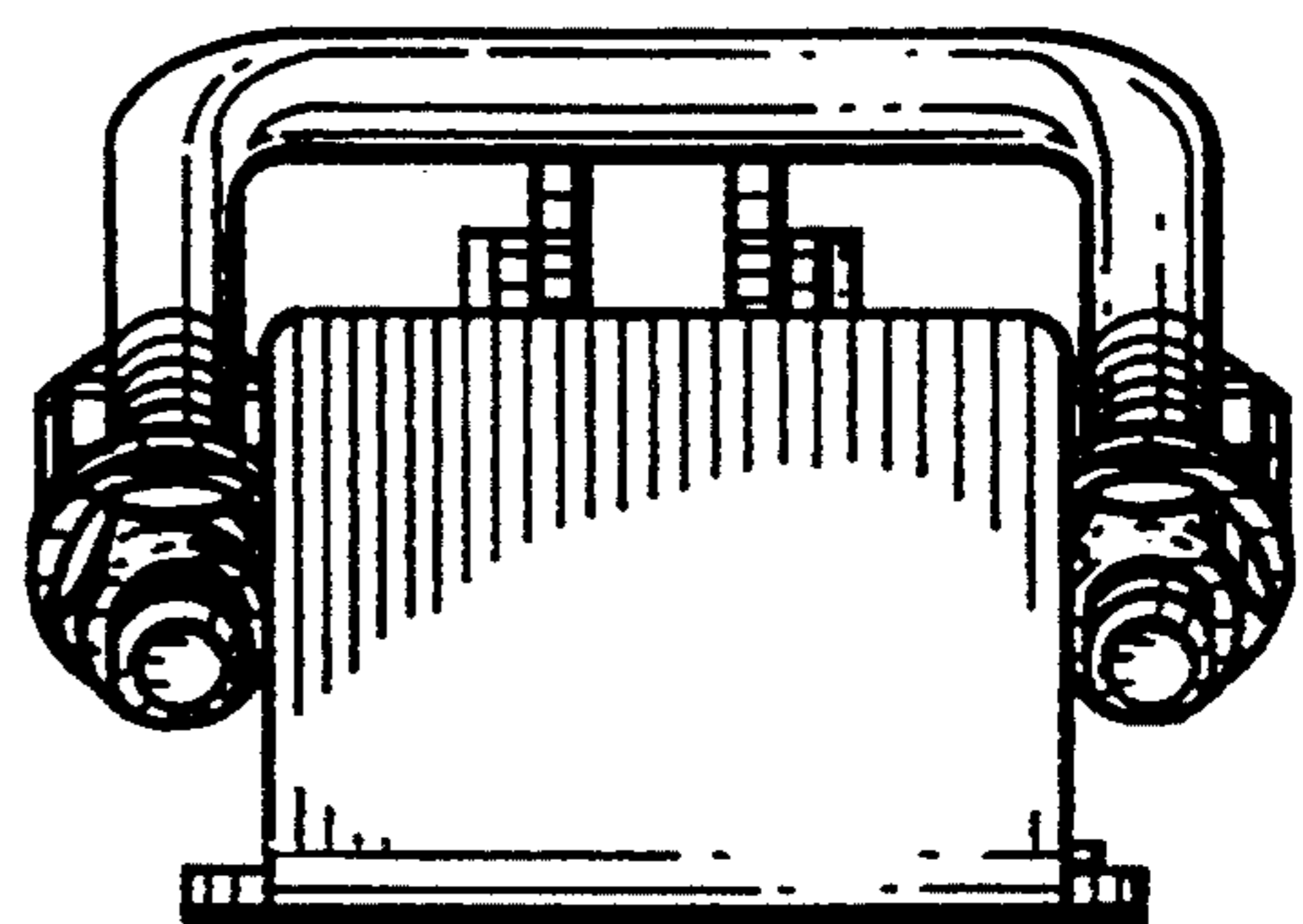


FIG. 7

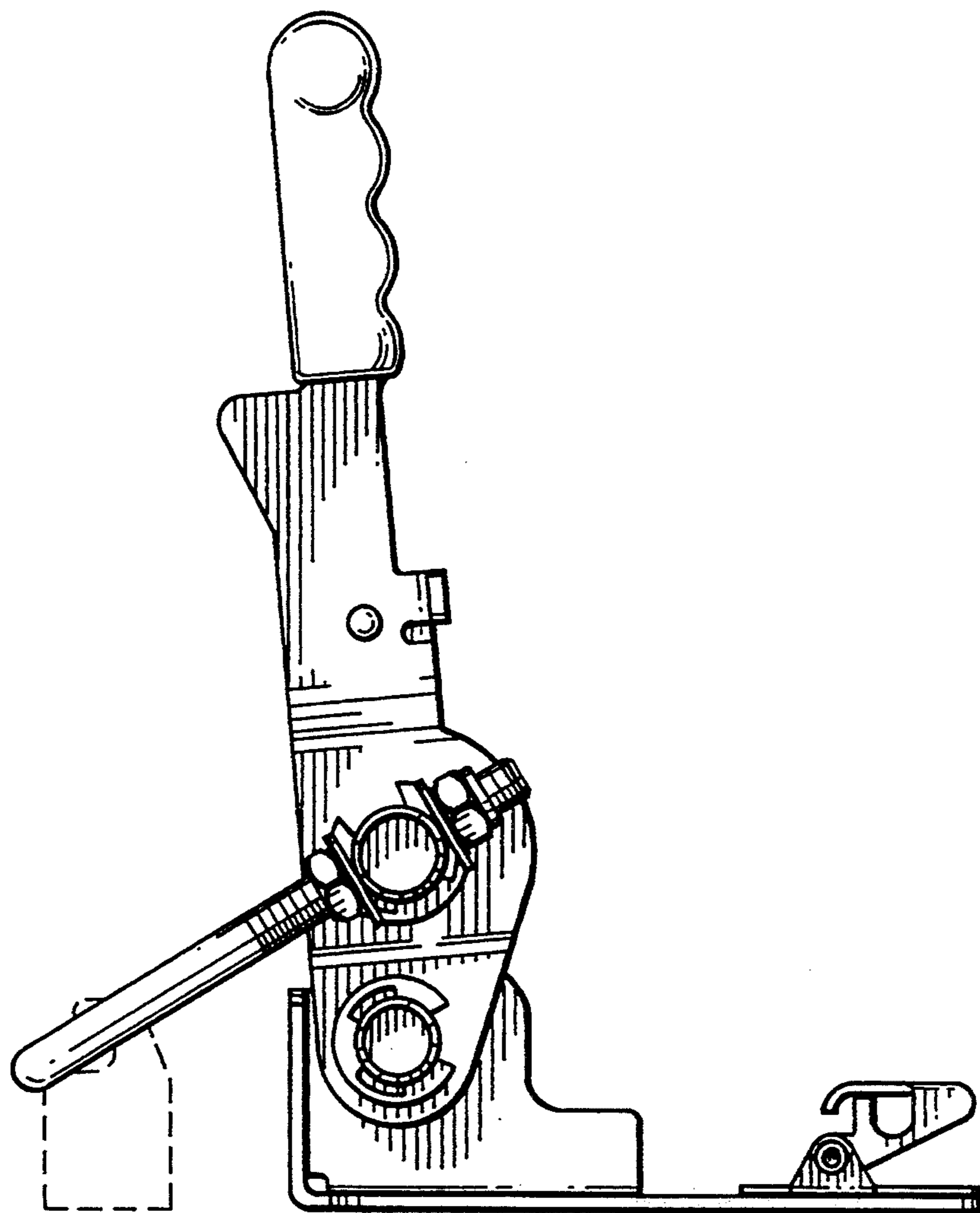


FIG. 8

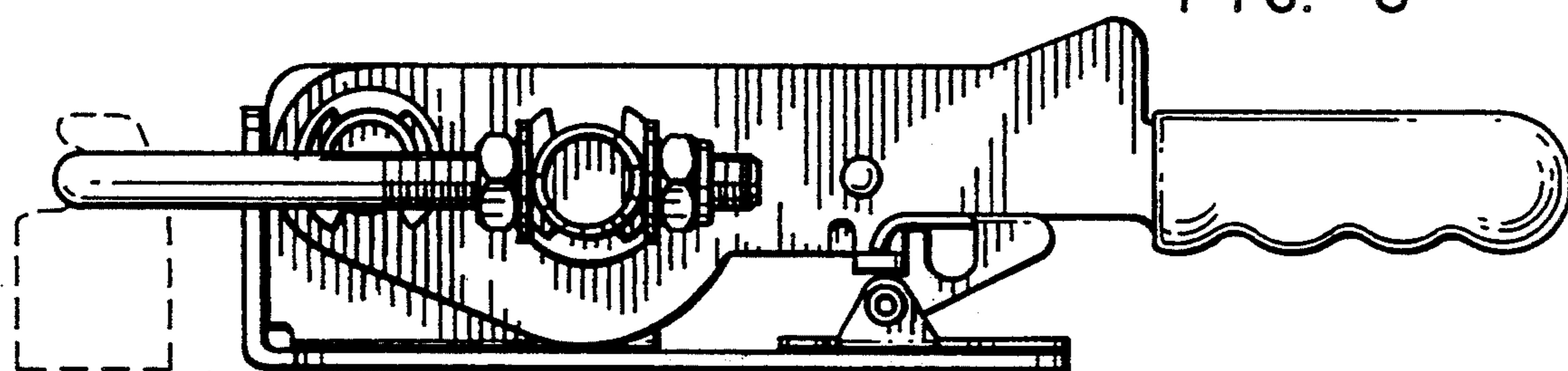


FIG. 9

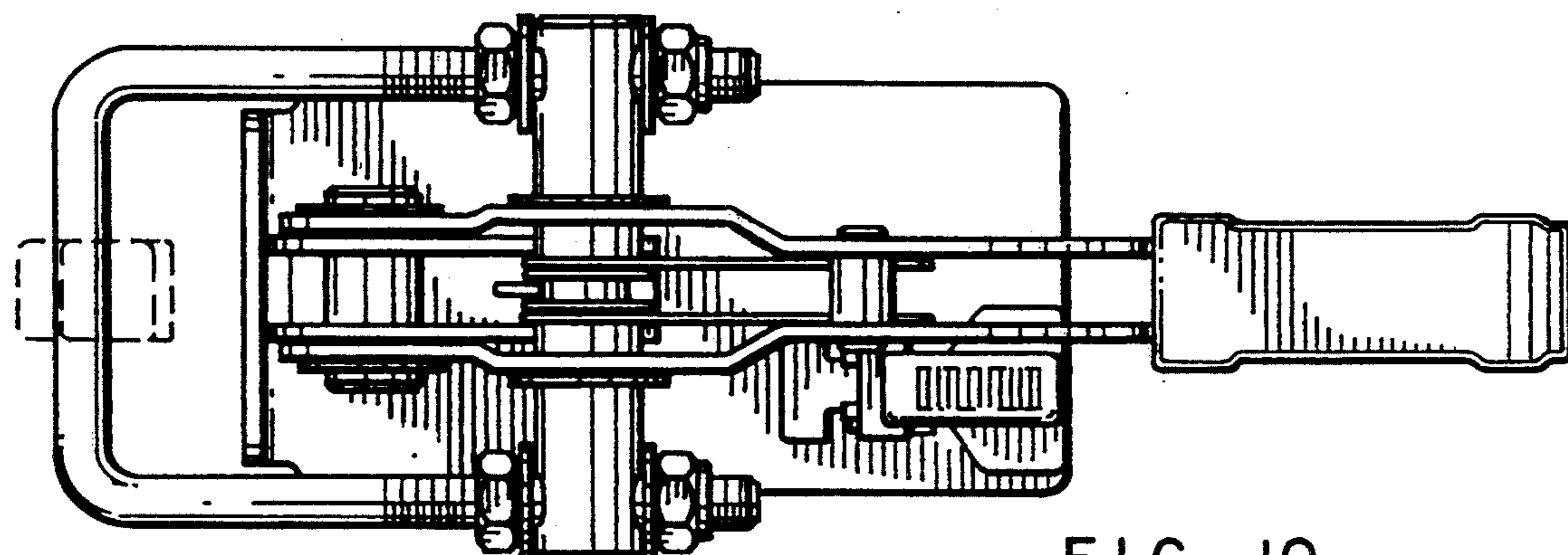


FIG. 10