



US00D361928S

# United States Patent [19]

[11] Patent Number: **Des. 361,928**

Gray et al.

[45] Date of Patent: **\*\* Sep. 5, 1995**

## [54] MOTORCYCLE HANDLEBAR-MOUNTED IGNITION SWITCH LOCK BODY

5,347,835 9/1994 Dewey ..... 70/233 X

[76] Inventors: **Kevin Gray; John Holdamph**, both of 114-50 Lefferts Blvd., Richmond Hill, N.Y. 11420

*Primary Examiner*—Brian N. Vinson  
*Attorney, Agent, or Firm*—Terry M. Gernstein

[\*\*] Term: **14 Years**

### [57] CLAIM

[21] Appl. No.: **15,325**

The ornamental design for a motorcycle handlebar-mounted ignition switch lock body, as shown and described.

[22] Filed: **Nov. 15, 1993**

[52] U.S. Cl. .... **D8/331**

[58] Field of Search ..... **D8/330-331, D8/346; D12/114, 126; 70/233, 236, 158**

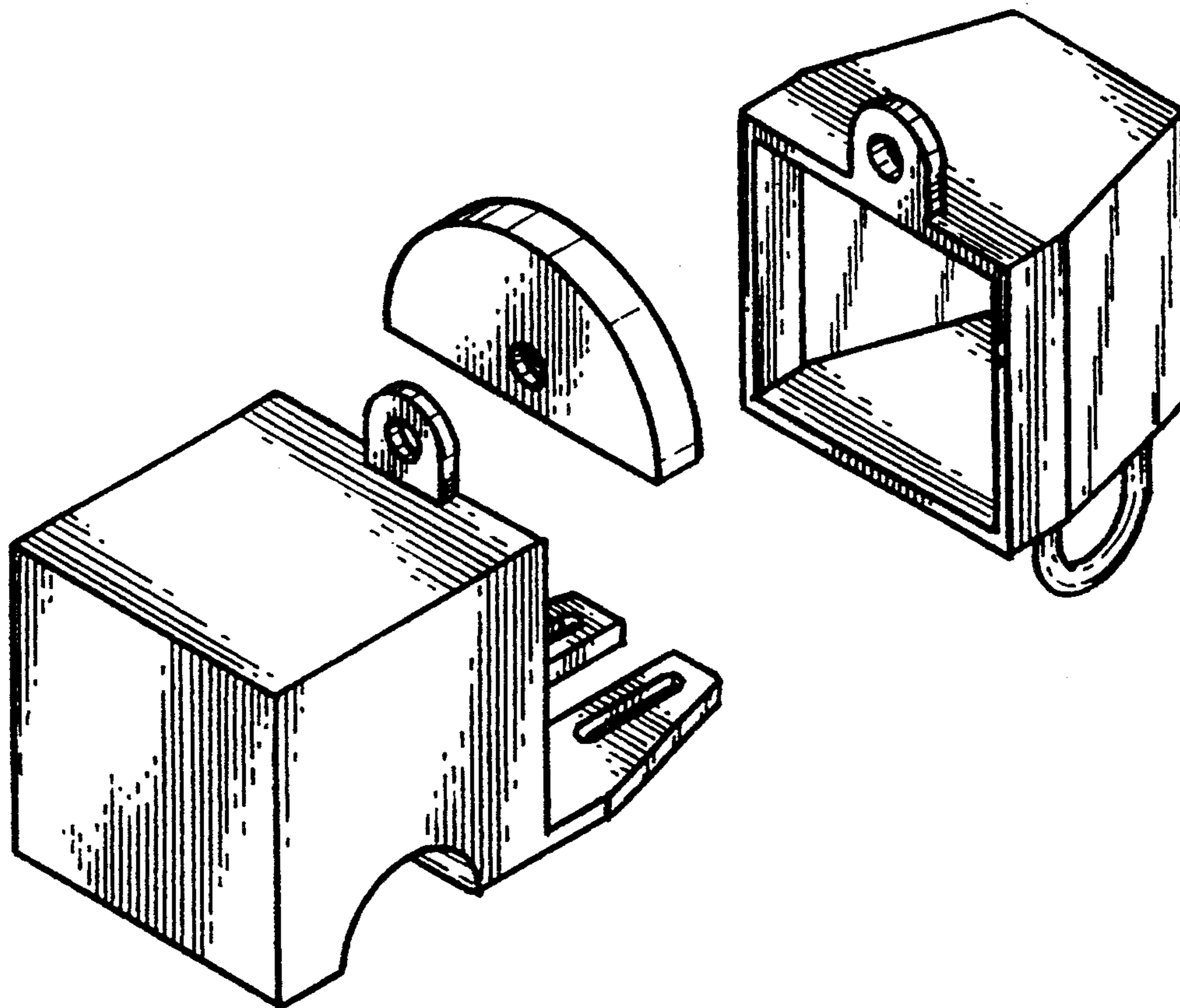
### DESCRIPTION

### [56] References Cited

#### U.S. PATENT DOCUMENTS

- D. 321,122 10/1991 Donalies ..... D8/346
- D. 326,045 5/1992 Barrett ..... D8/346
- 4,426,861 1/1984 Chillis ..... 70/233 X

FIG. 1 is an exploded top, front, and left side perspective view of a motorcycle handlebar-mounted ignition switch lock body showing our new design; FIG. 2 is an assembled front elevational view thereof, the rear being a mirror image of that shown; FIG. 3 is a left side elevational view thereof; FIG. 4 is a right side elevational view thereof; FIG. 5 is a top plan view thereof; and, FIG. 6 is a bottom plan view thereof.



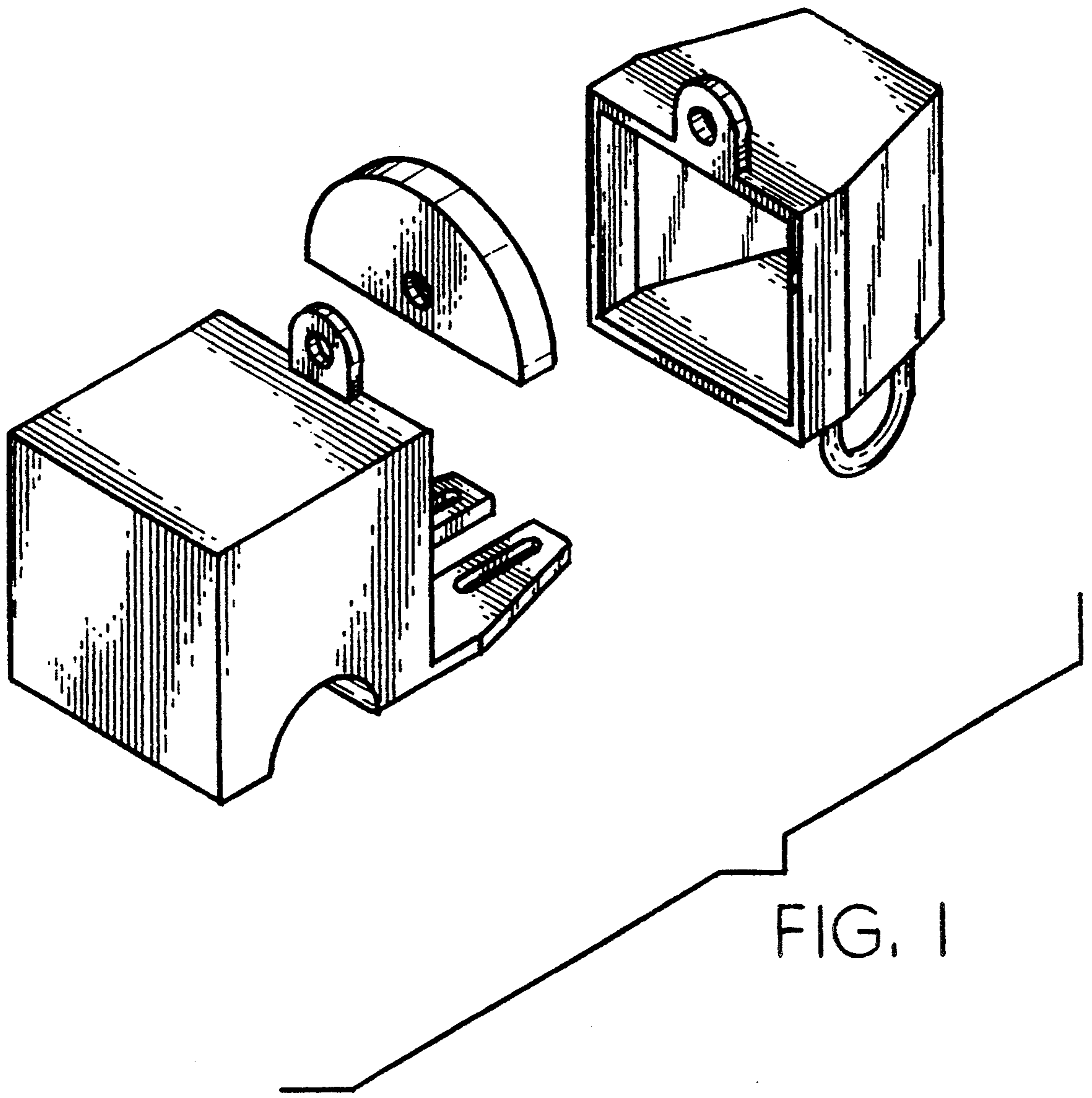


FIG. 2

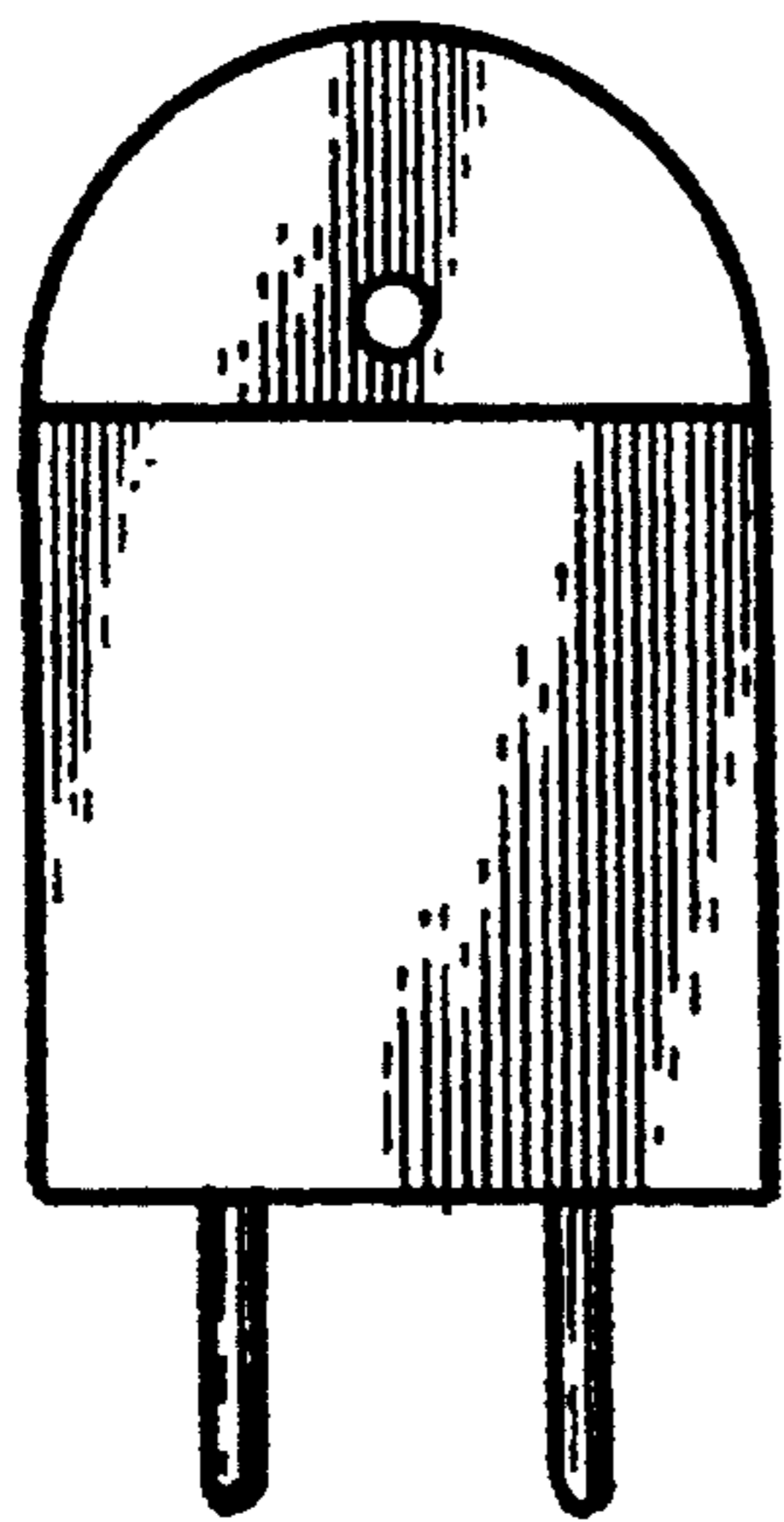
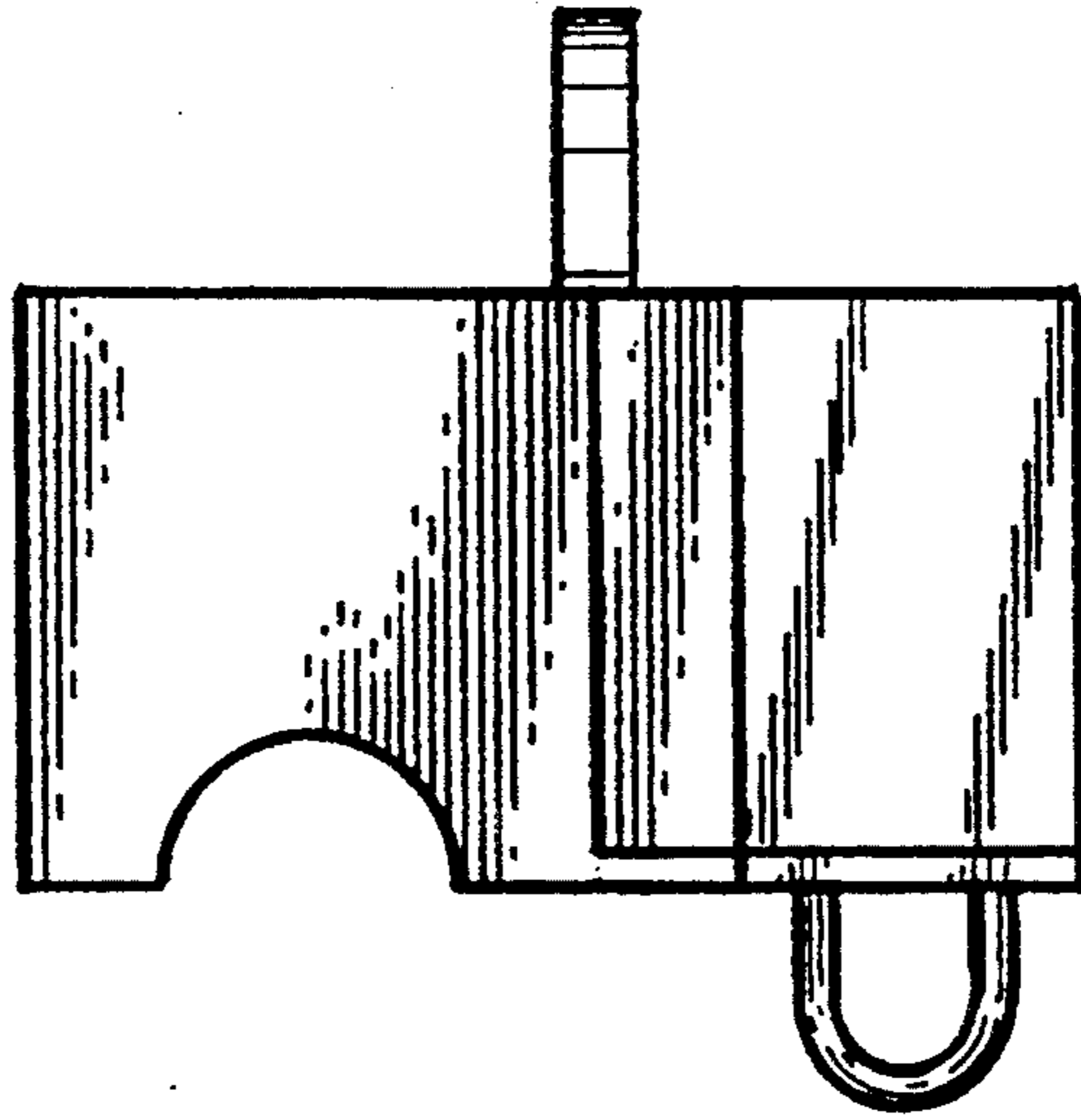


FIG. 3

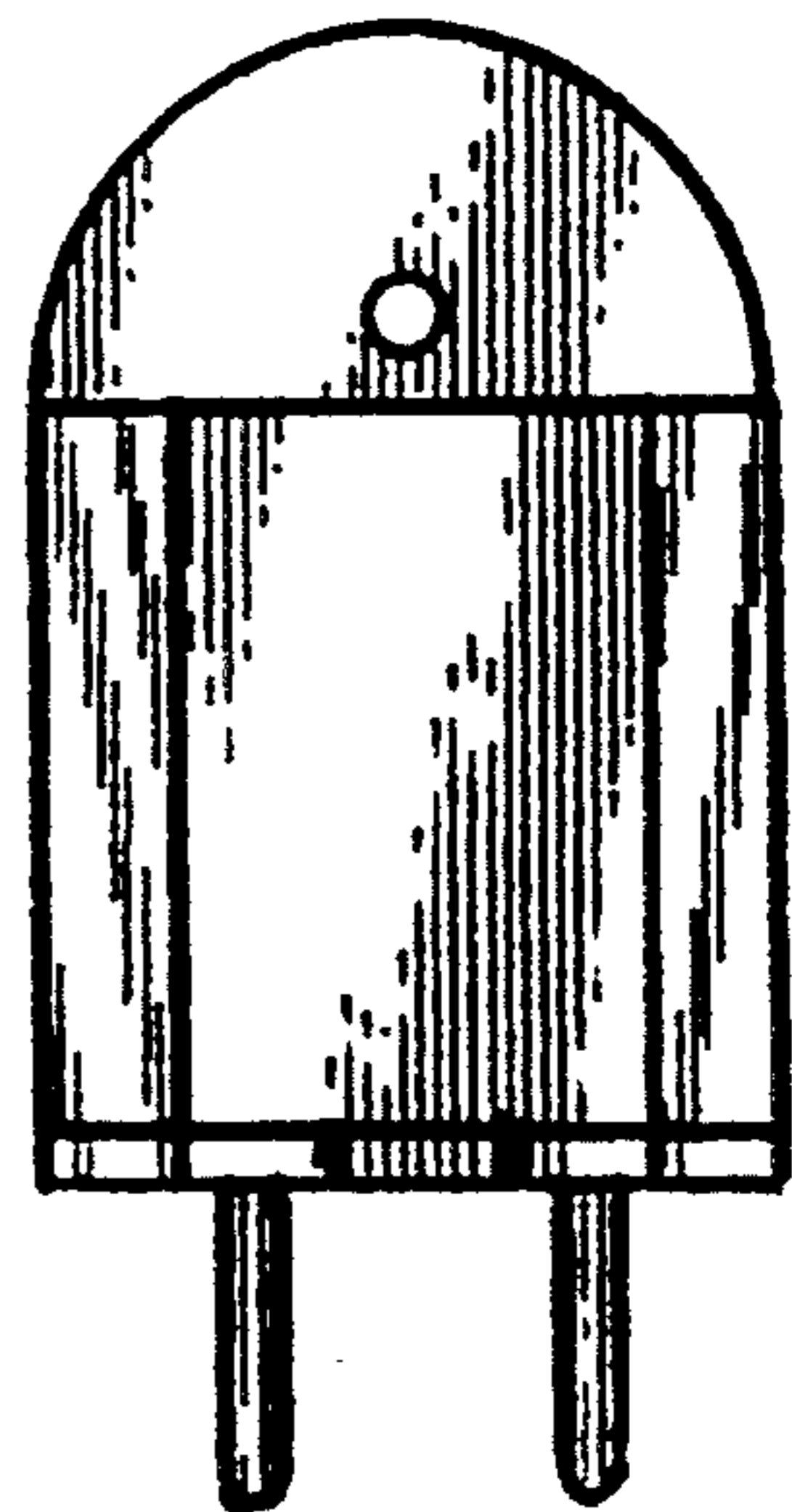


FIG. 4

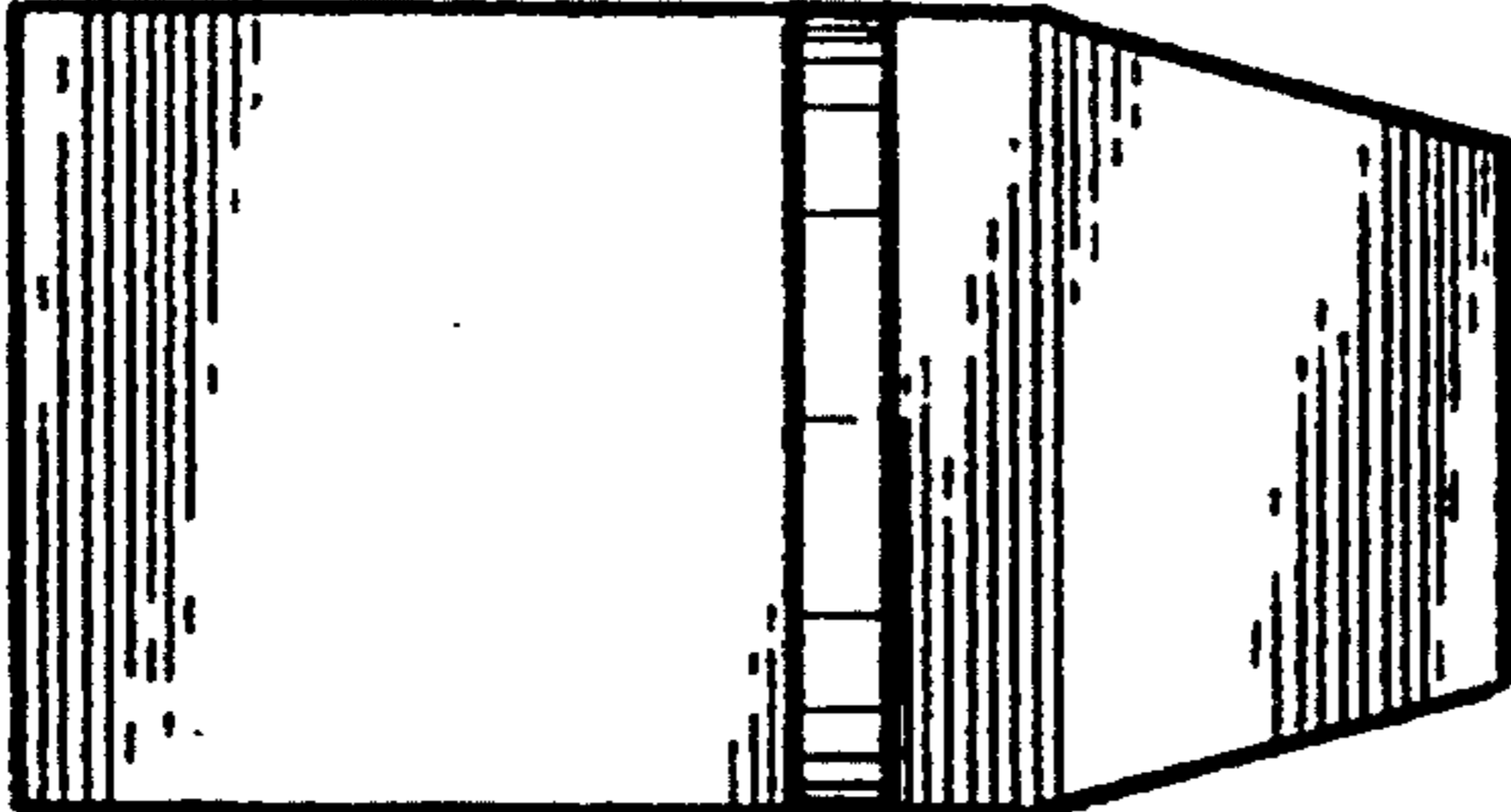


FIG. 5

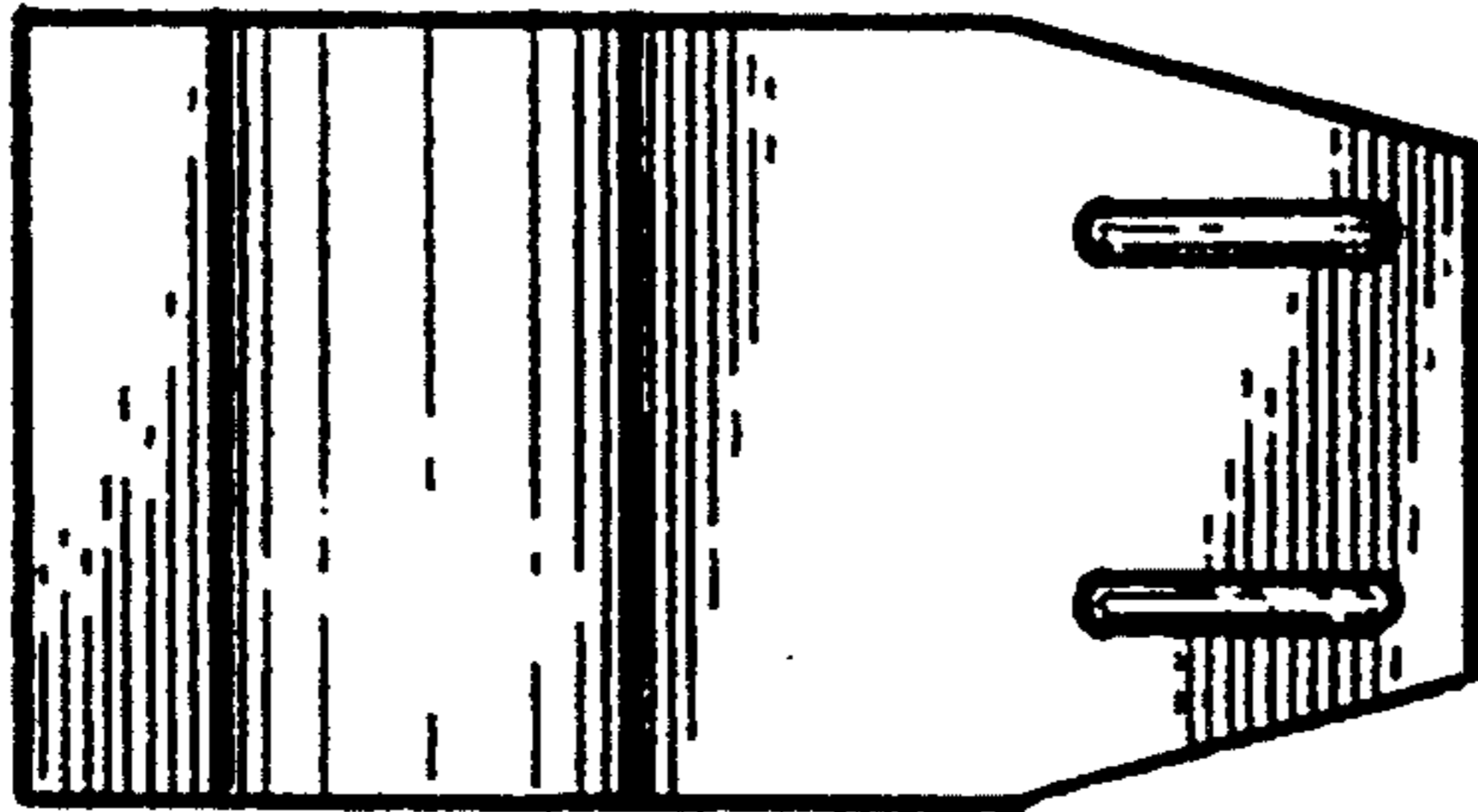


FIG. 6