



US00D361926S

# United States Patent [19]

[11] Patent Number: **Des. 361,926**

Strickland

[45] Date of Patent: **\*\* Sep. 5, 1995**

[54] **TOOL FOR REMOVING OIL FILTERS**

4,750,388 6/1988 Hagen .

[76] Inventor: **Eddie Strickland**, Rte. 3 Box 182,  
Sylvania, Ga. 30467

4,896,570 1/1990 Bourgeois .

5,333,378 8/1994 Sjöbom ..... 28/259 X

[\*\*] Term: **14 Years**

*Primary Examiner*—Terry A. Wallace

*Assistant Examiner*—Richelle Shelton

*Attorney, Agent, or Firm*—Terry M. Gernstein

[21] Appl. No.: **17,220**

### [57] CLAIM

[22] Filed: **Jan. 10, 1994**

The ornamental design for a tool for removing oil filters, as shown and described.

[52] U.S. Cl. .... **D8/14**

[58] Field of Search ..... D8/14, 21, 22, 27, 51;  
81/3.4, 3.42, 119, 64, 65, 176.1, 176.15, 176.2,  
436, 461; 29/259

### DESCRIPTION

### [56] References Cited

#### U.S. PATENT DOCUMENTS

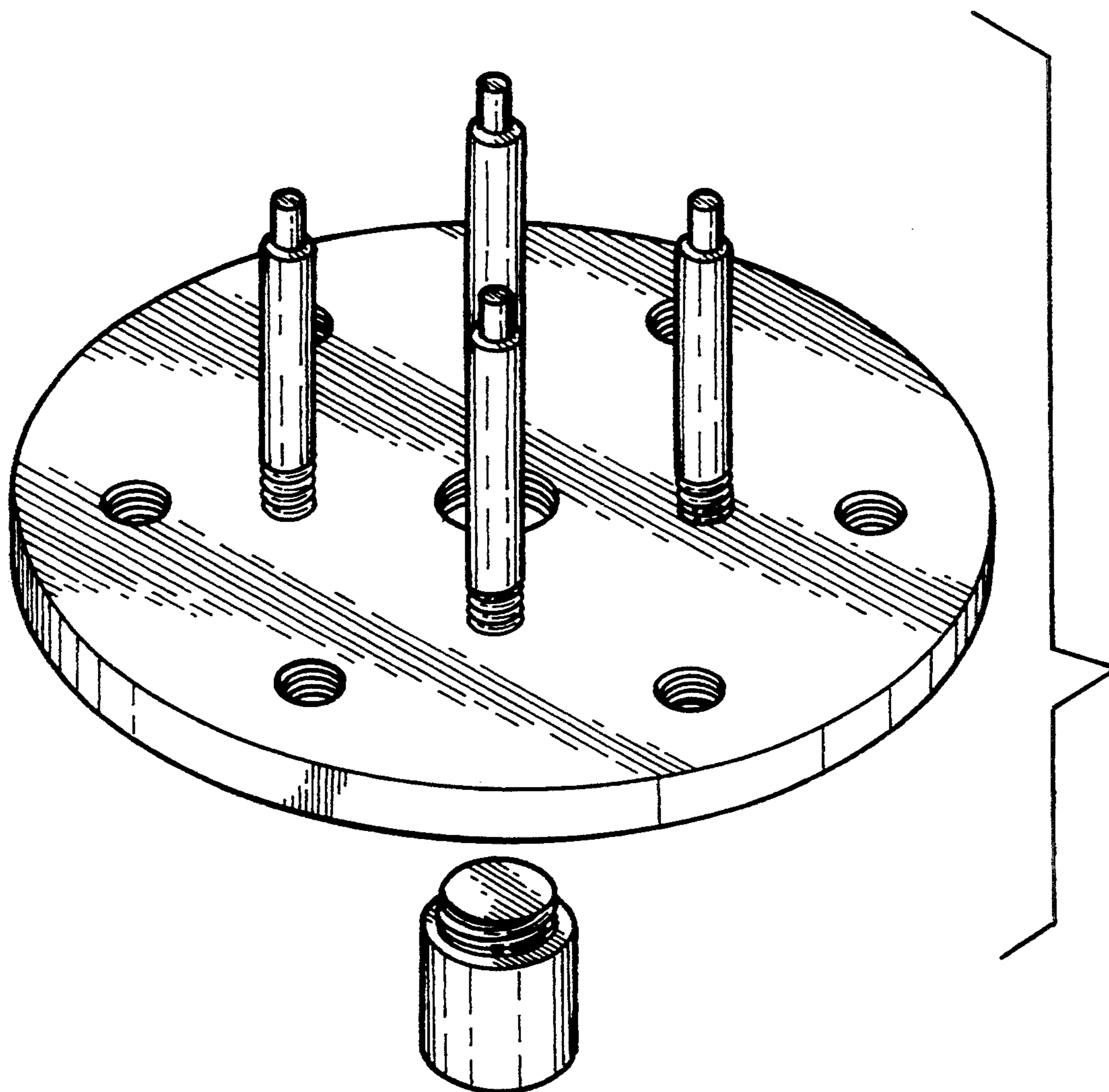
- D. 321,461 11/1991 Hamilton ..... D8/27
- D. 348,814 7/1994 Pearson ..... D8/51
- 4,114,481 9/1978 Kowalczyk .

FIG. 1 is a front, top and side perspective view of the tool for removing oil filters showing my new design in an exploded condition;

FIG. 2 is a side elevational view thereof, the front, rear, and opposite side being identical;

FIG. 3 is a top plan view thereof; and,

FIG. 4 is a bottom plan view thereof.



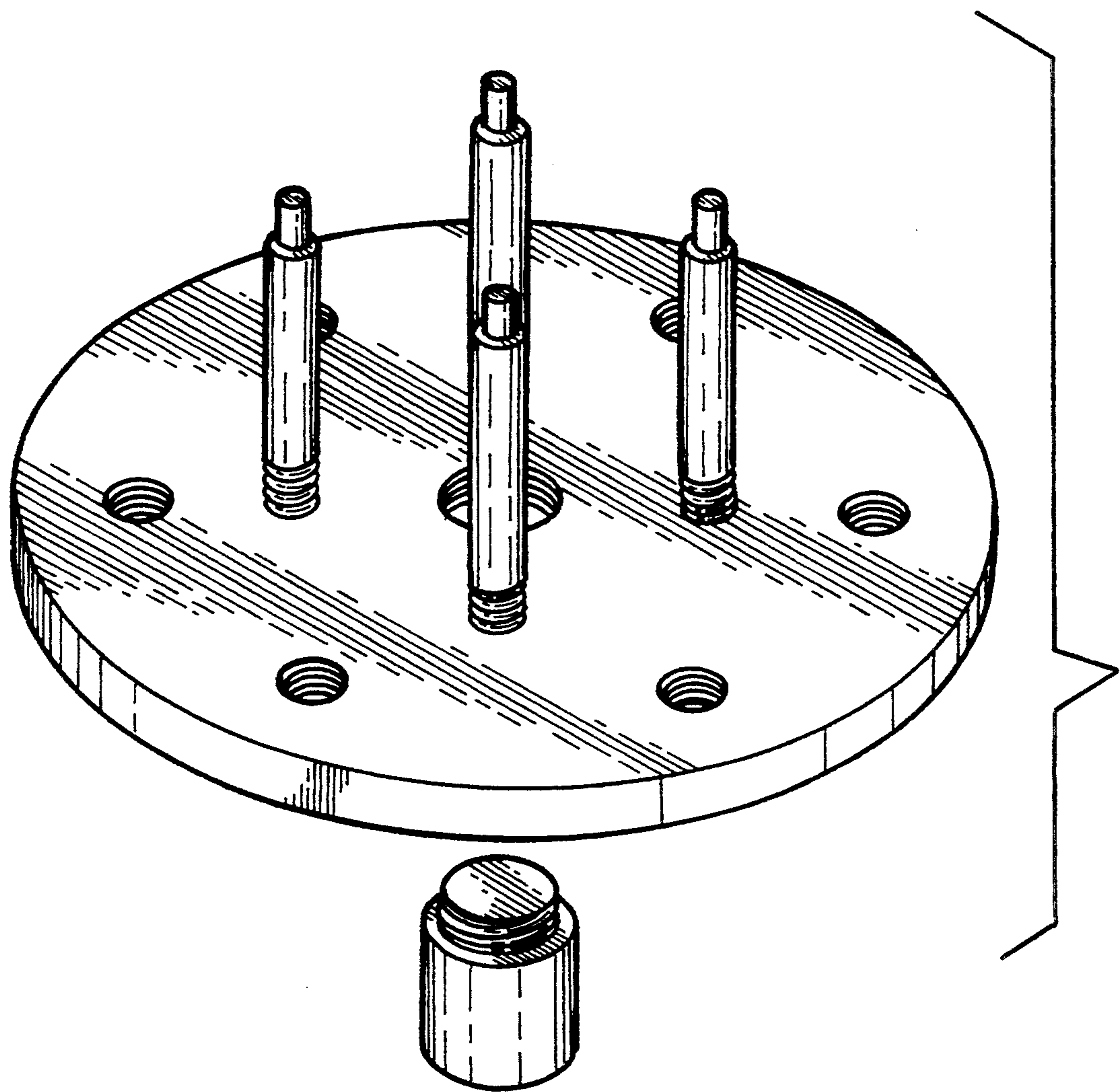


FIG. 1

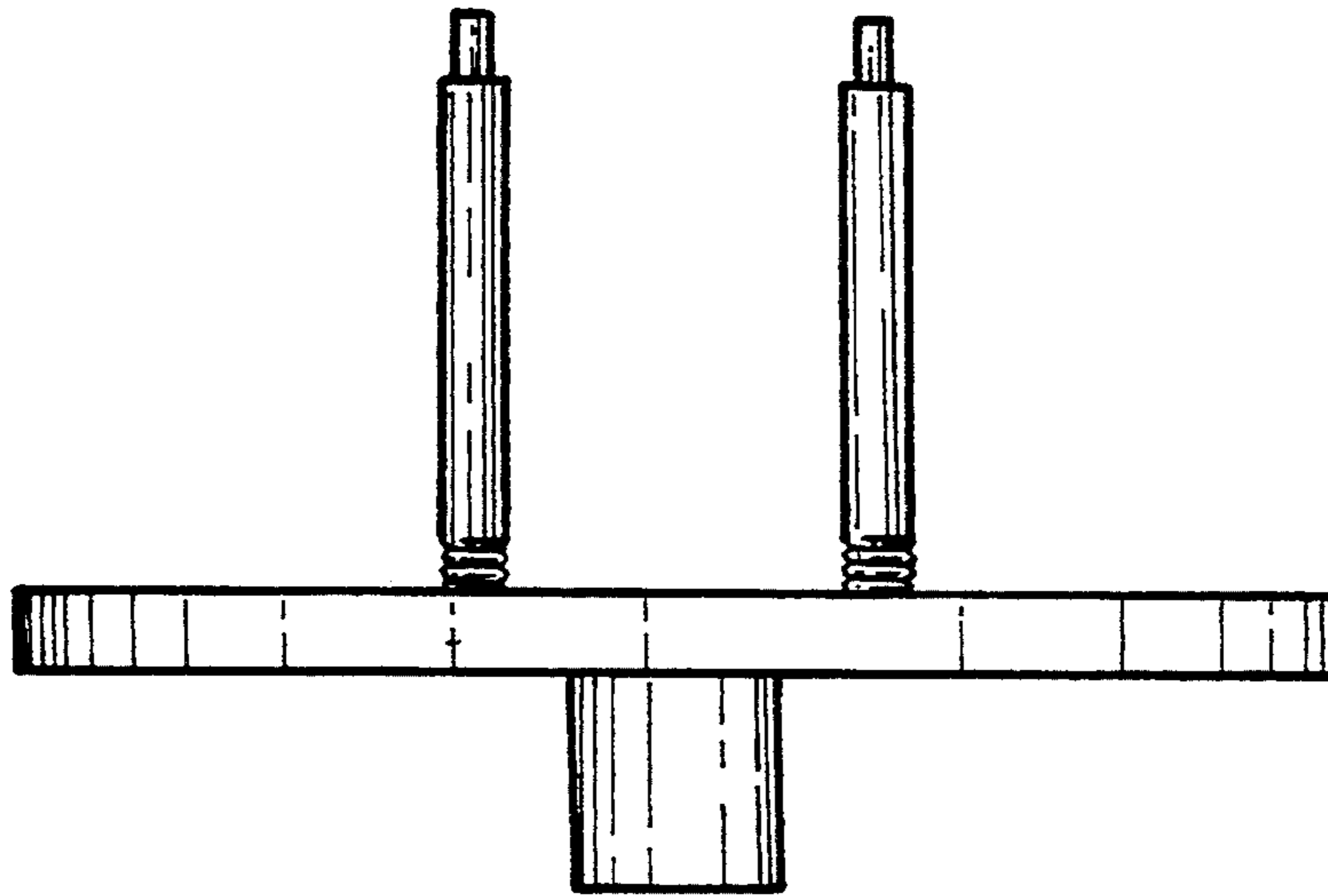


FIG 2

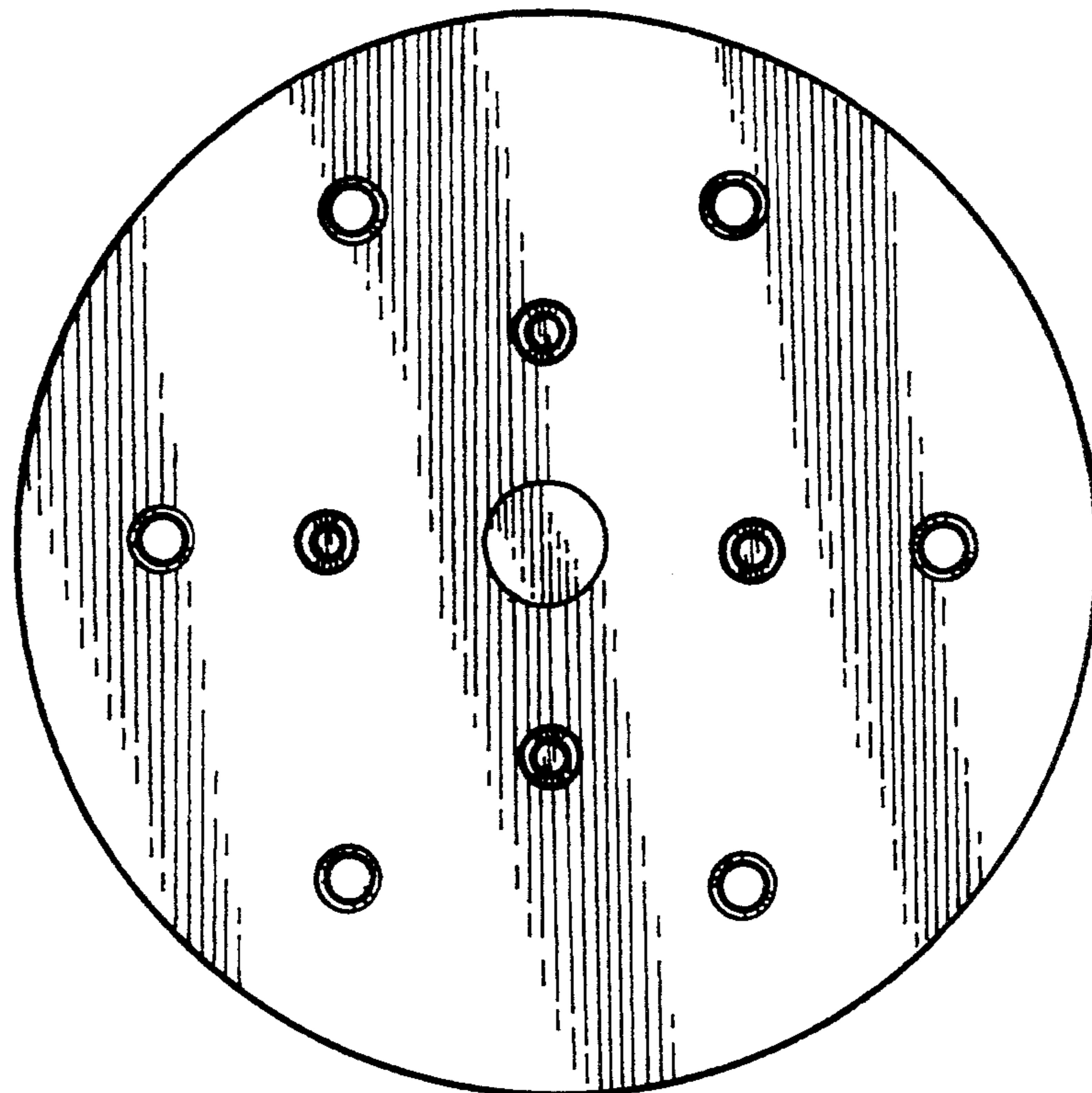


FIG. 3

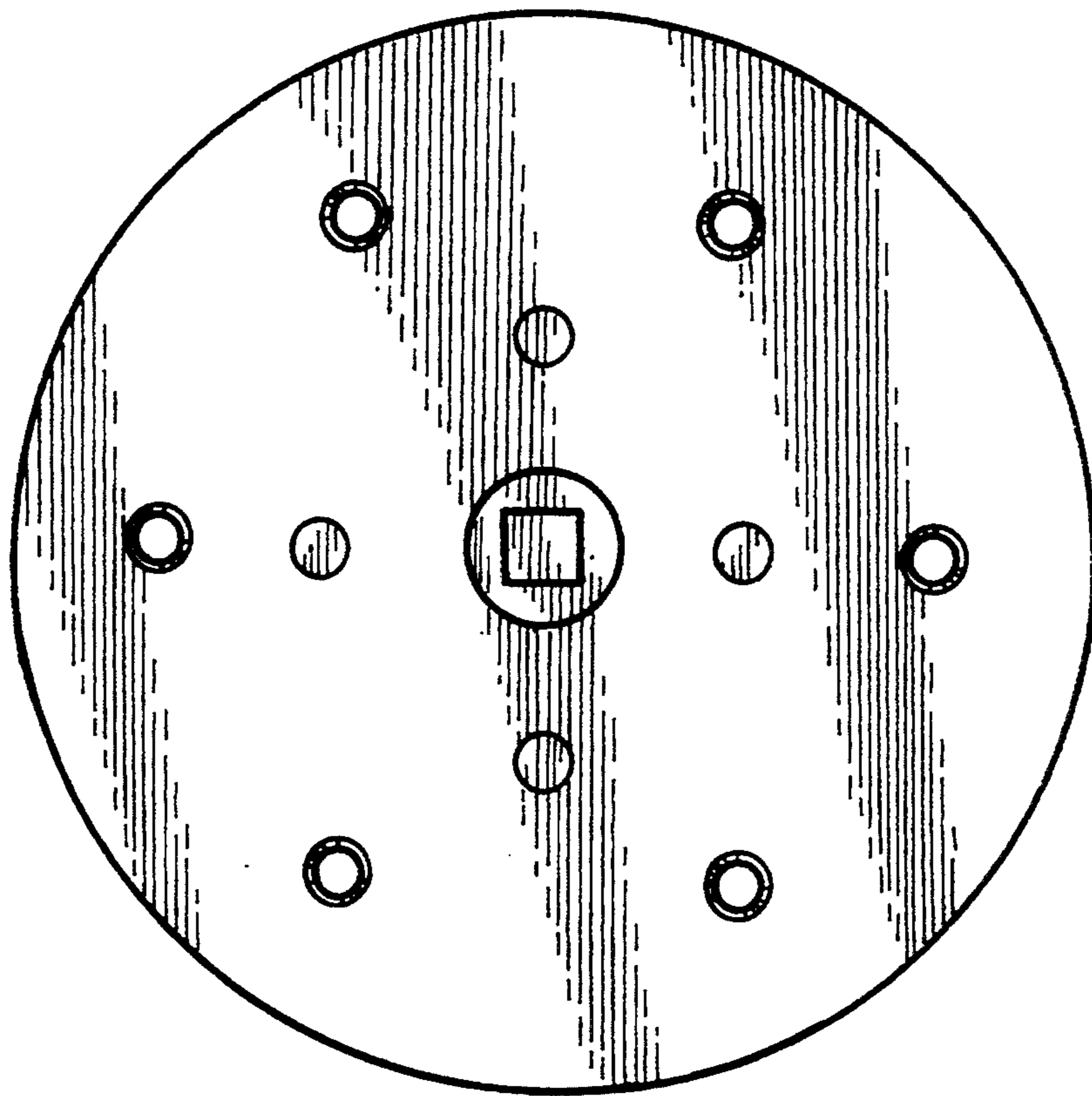


FIG. 4