



US00D361925S

# United States Patent [19]

[11] Patent Number: **Des. 361,925**

**Kelly**

[45] Date of Patent: **\*\* Sep. 5, 1995**

[54] **FLAVOR INJECTOR**

[76] Inventor: **Harry C. Kelly**, 4225 Colorado Ave. NW., Washington, D.C.

[\*\*] Term: **14 Years**

[21] Appl. No.: **586,039**

[22] Filed: **Sep. 21, 1990**

[52] U.S. Cl. .... **D7/669**

[58] Field of Search ..... **D7/669; 99/345, 485, 99/494, 532**

[56] **References Cited**

**U.S. PATENT DOCUMENTS**

D. 139,605 12/1944 Fuchs ..... **D7/669 X**  
3,043,208 7/1962 Swartz ..... **99/532**

*Primary Examiner*—Terry A. Pfeffer

[57] **CLAIM**

The ornamental design for flavor injector, as shown.

**DESCRIPTION**

FIG. 1 is a perspective view of a flavor injector showing my new design;

FIG. 2 is a right side elevational view thereof;

FIG. 3 is a rear elevational view thereof;

FIG. 4 is a front elevational view thereof;

FIG. 5 is a left side elevational view thereof;

FIG. 6 is a top plan view thereof;

FIG. 7 is a bottom plan view thereof;

FIG. 8 is an exploded perspective view thereof;

FIG. 9 is a cross-sectional view taken along line 9—9 of FIG. 8; and,

FIG. 10 is a cross-sectional view taken along line 10—10 of FIG. 8.

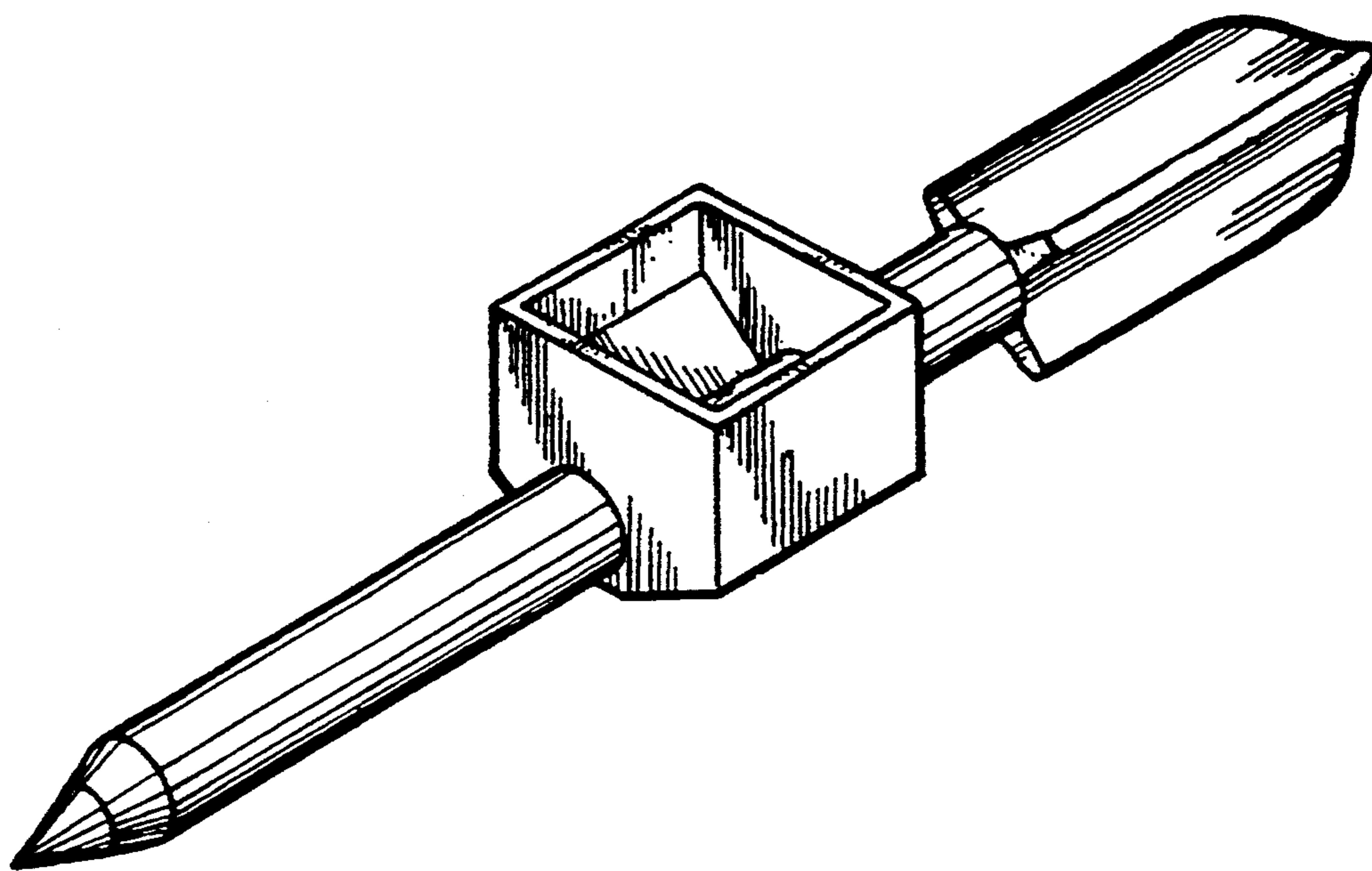


FIG. 1

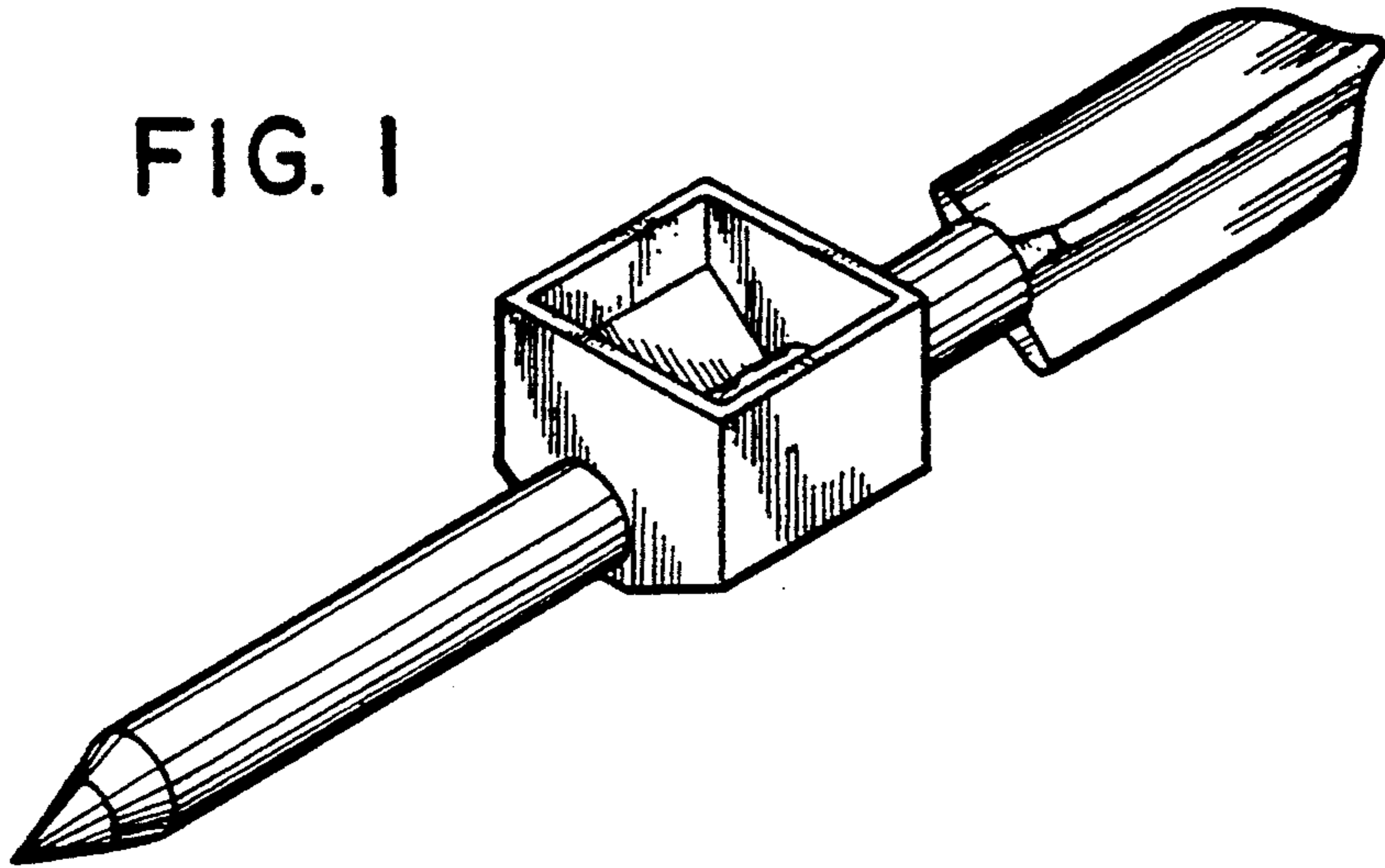


FIG. 2

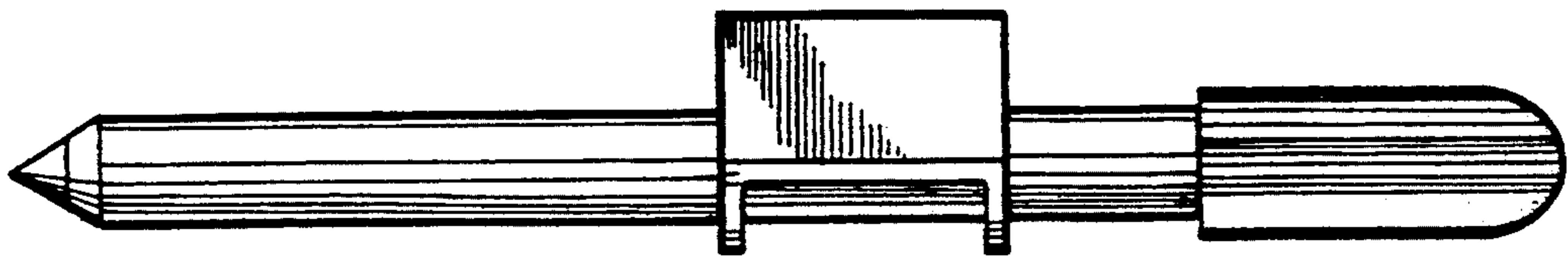


FIG. 3

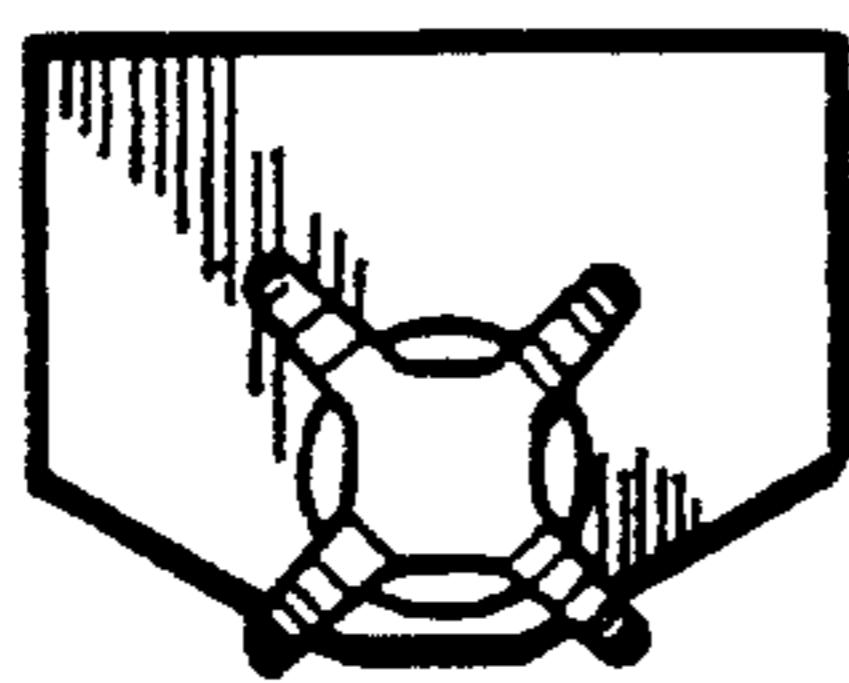


FIG. 4

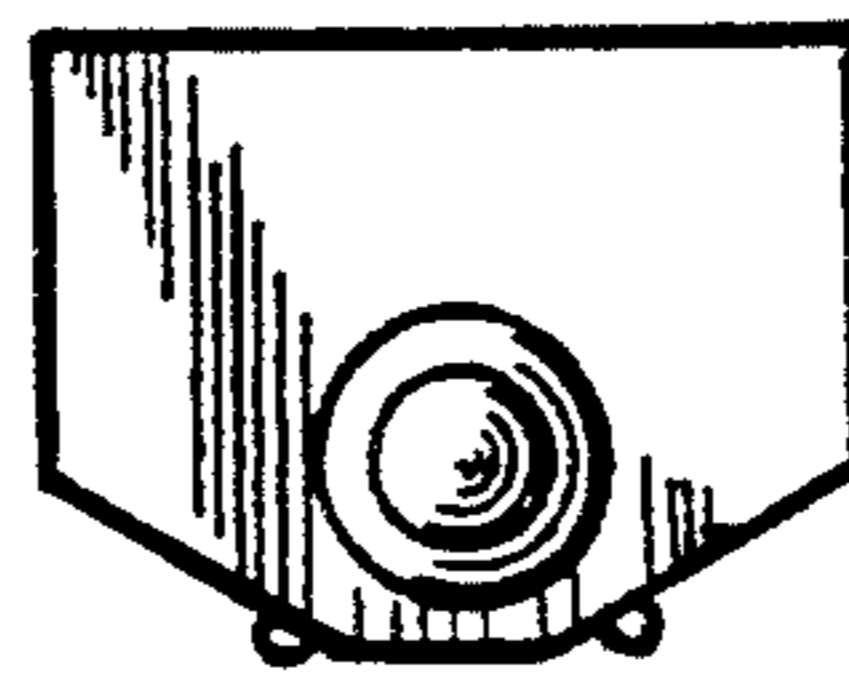


FIG. 5

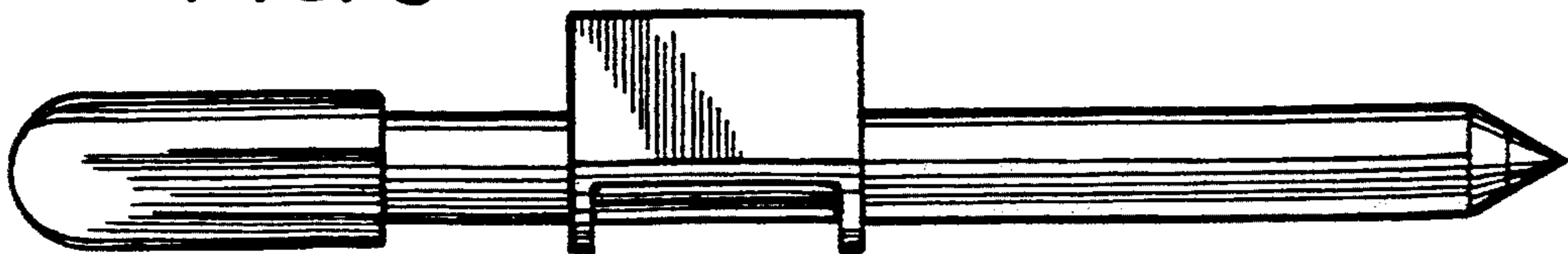


FIG. 6

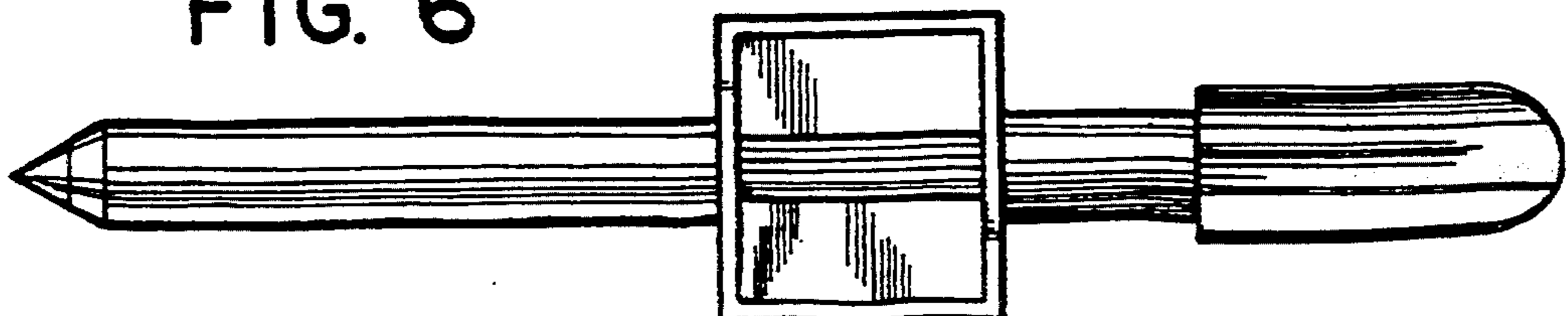


FIG. 7

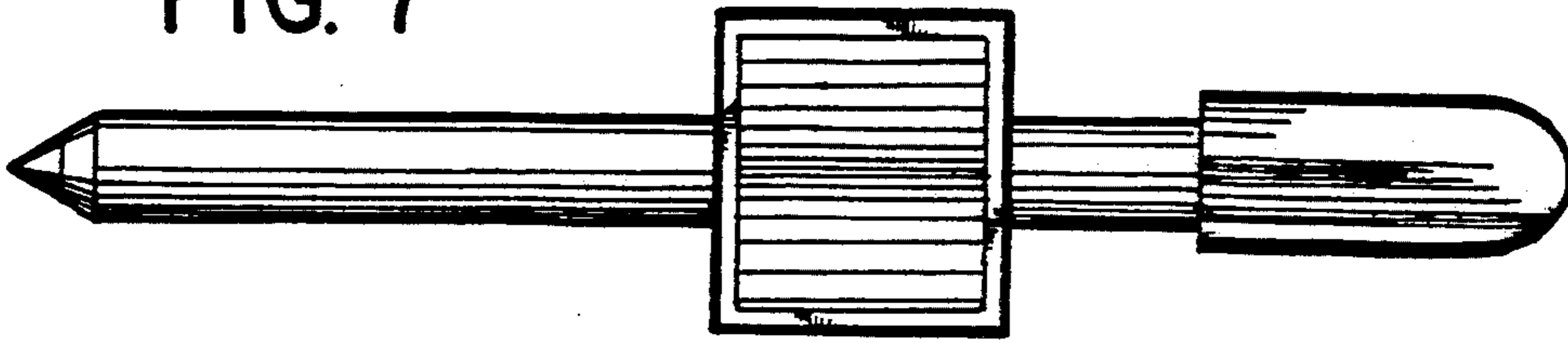


FIG. 8

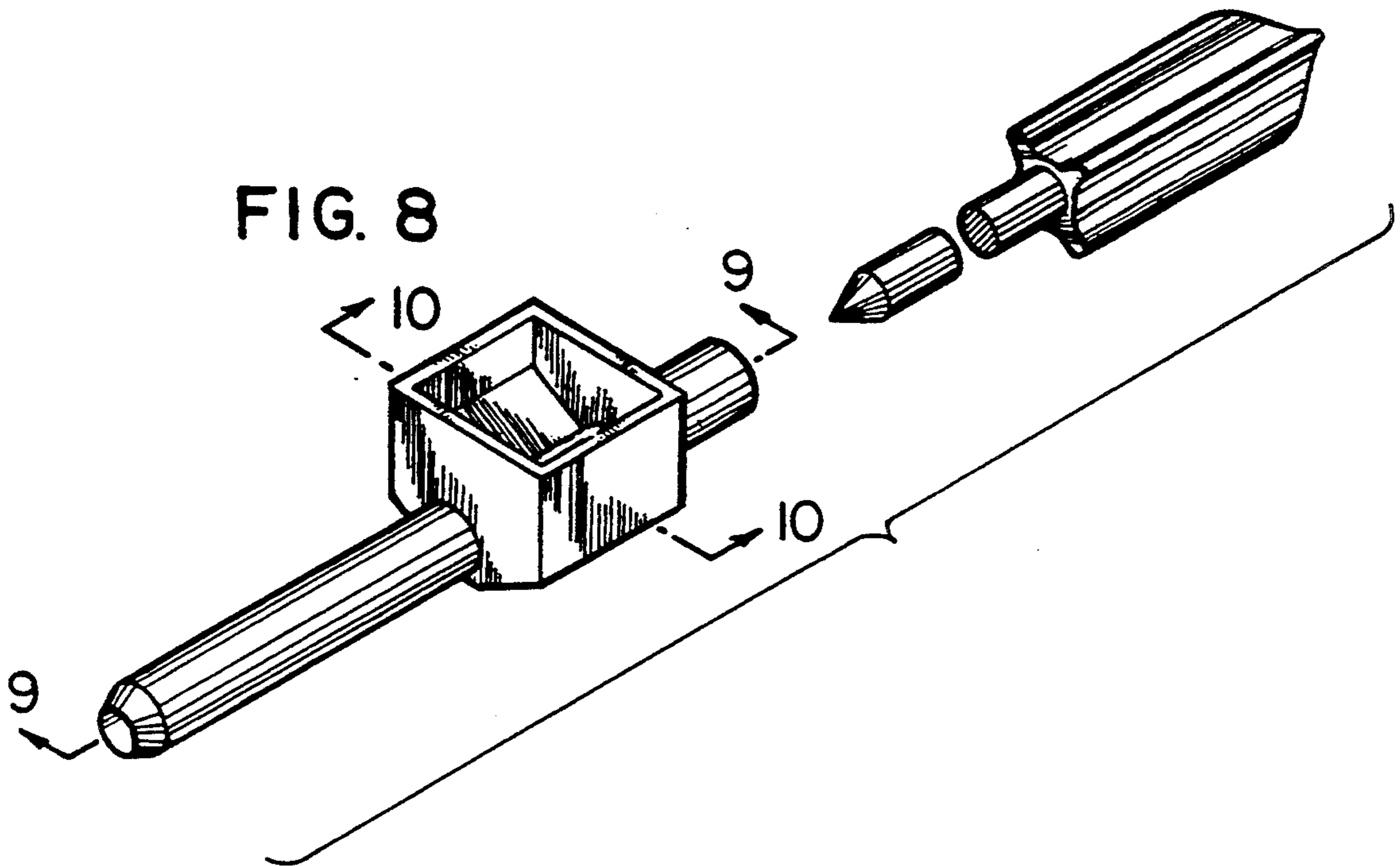


FIG. 9

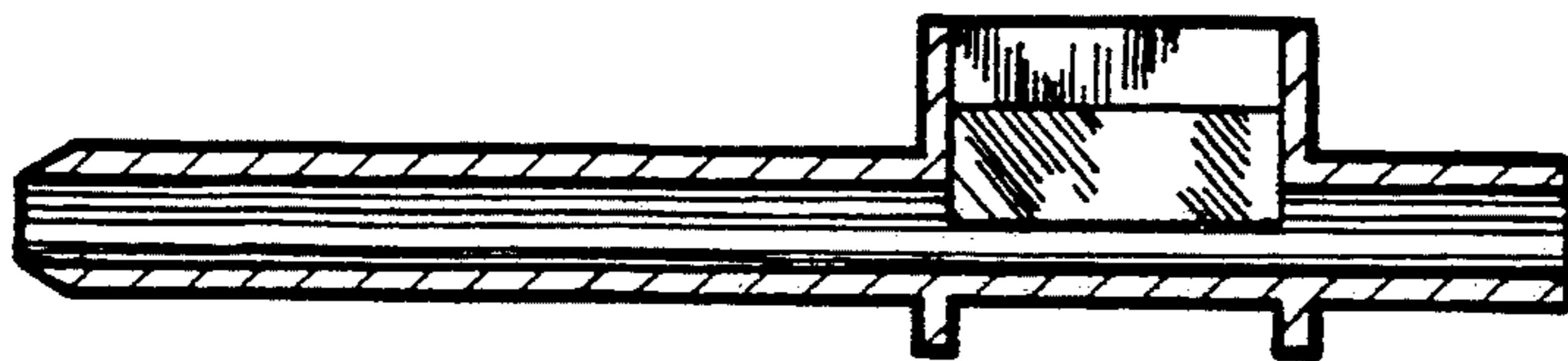


FIG. 10

