



US00D361924S

United States Patent [19]

[11] Patent Number: **Des. 361,924**

Becker

[45] Date of Patent: **** Sep. 5, 1995**

[54] **COMBINED WATER BOTTLE AND PERSONAL STEREO HOLDER**

5,042,770 8/1991 Louthan D7/620 X
5,114,108 5/1992 Olschansky 248/311.2

[76] Inventor: **Robert W. Becker**, 816 Wilson St., Naperville, Ill. 60540

Primary Examiner—Terry A. Wallace
Attorney, Agent, or Firm—Welsh & Katz, Ltd.

[**] Term: **14 Years**

[57] **CLAIM**

[21] Appl. No.: **26,433**

The ornamental design for a combined water bottle and personal stereo holder, as shown and described.

[22] Filed: **Jul. 27, 1994**

[52] U.S. Cl. **D7/620**

[58] Field of Search D7/619, 620; 211/71, 211/74, 75, 87; 224/30 R, 42.45 R, 42.46 R; 248/311.2, 313; D6/512, 513, 535, 553, 556, 567; D21/191, 221, 223

DESCRIPTION

FIG. 1 is a perspective view of a combined water bottle and personal stereo holder showing my new design, the broken lines showing the personal stereo, water bottle and bar are for illustrative purposes only and form no part of the claimed design;
FIG. 2 is a left side elevation view thereof, the opposite side being a mirror image;
FIG. 3 is a top plan view thereof;
FIG. 4 is a front elevation view thereof;
FIG. 5 is a rear elevation view thereof; and,
FIG. 6 is a bottom plan view thereof.

[56] **References Cited**

U.S. PATENT DOCUMENTS

D. 231,296	4/1974	Morris et al.	D7/620 X
D. 280,263	8/1985	Hoye	D7/620 X
1,746,634	2/1930	Breneman	D7/620 X
4,831,673	5/1989	Winckler	248/311.2 X

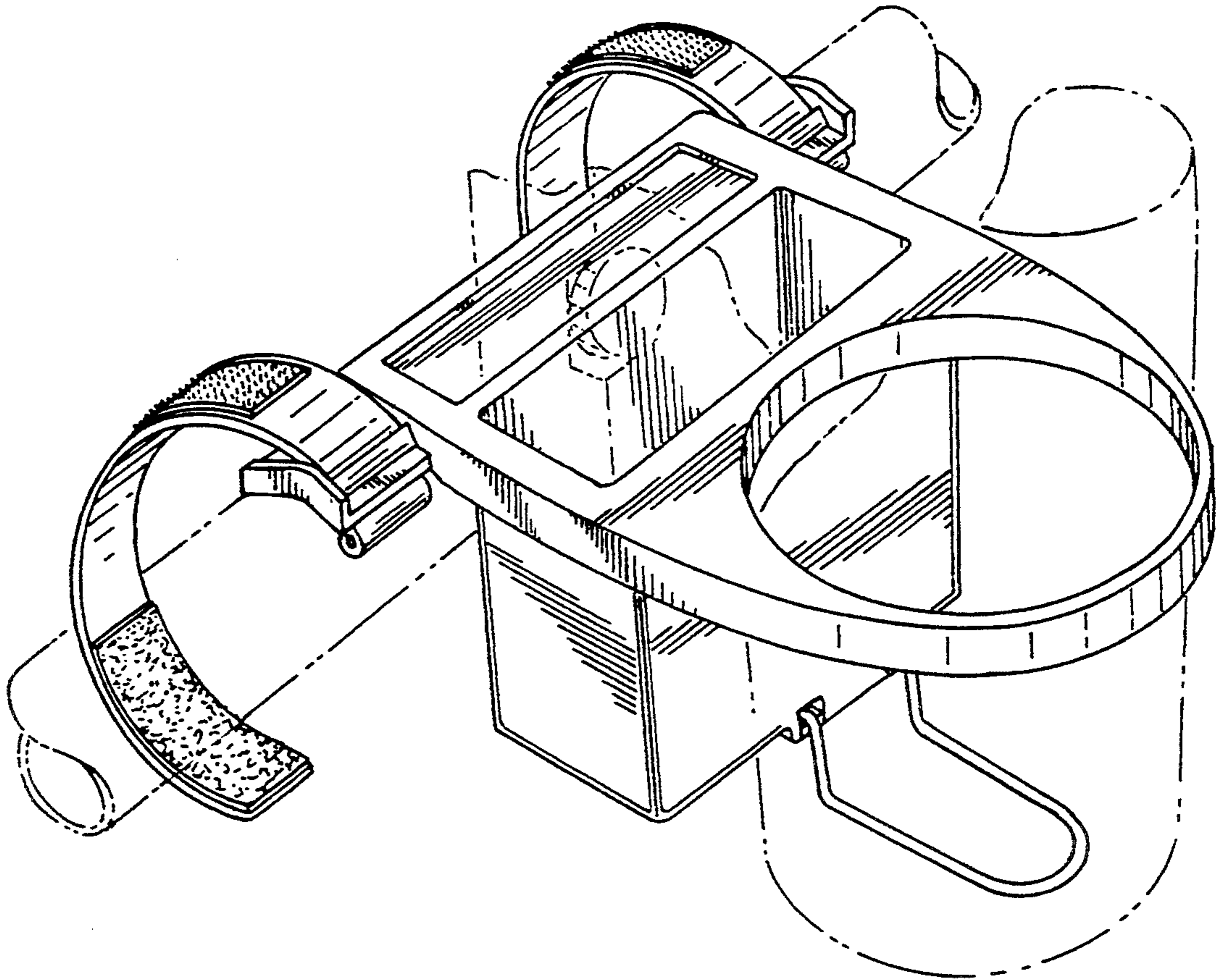


FIG. 1

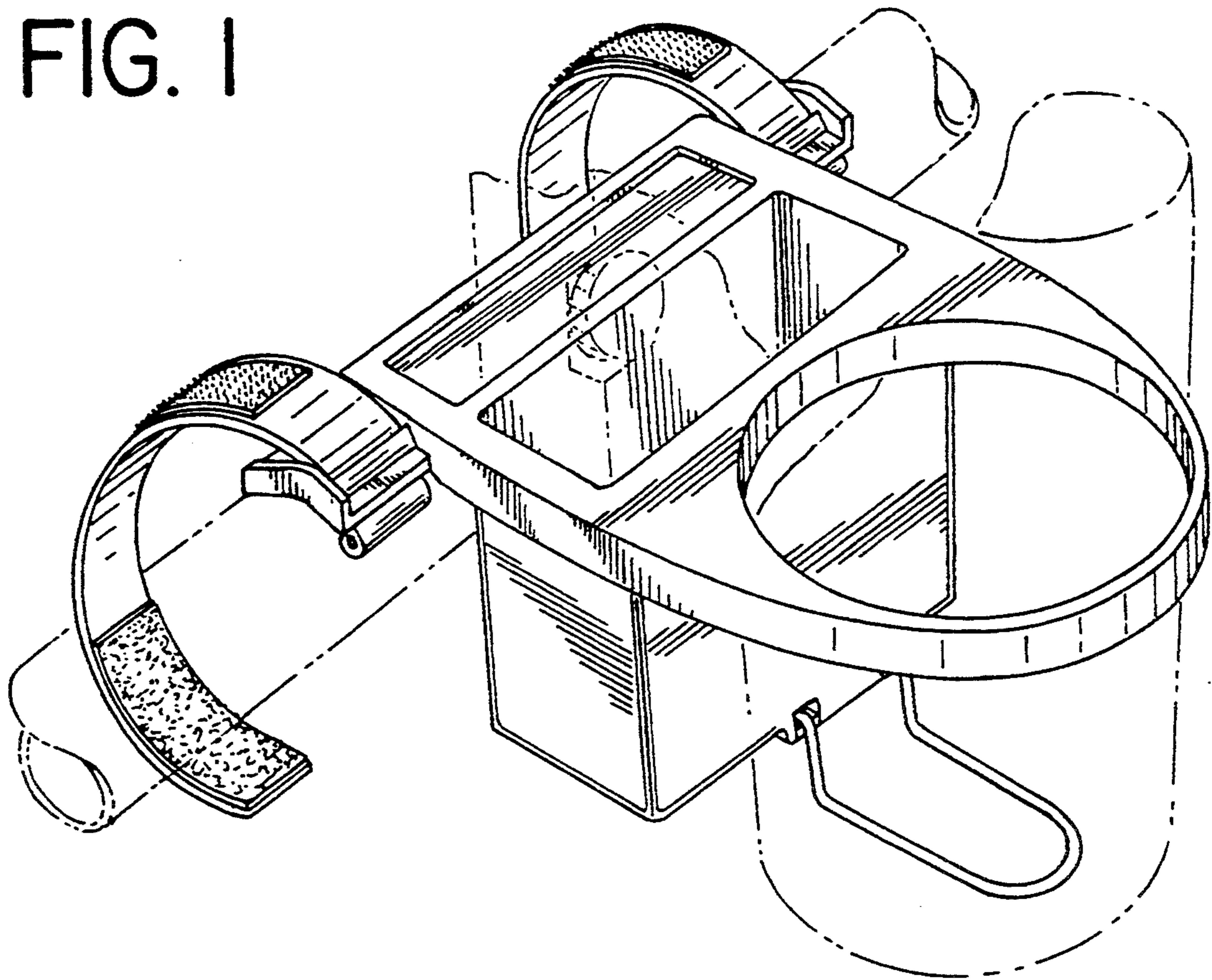


FIG. 2

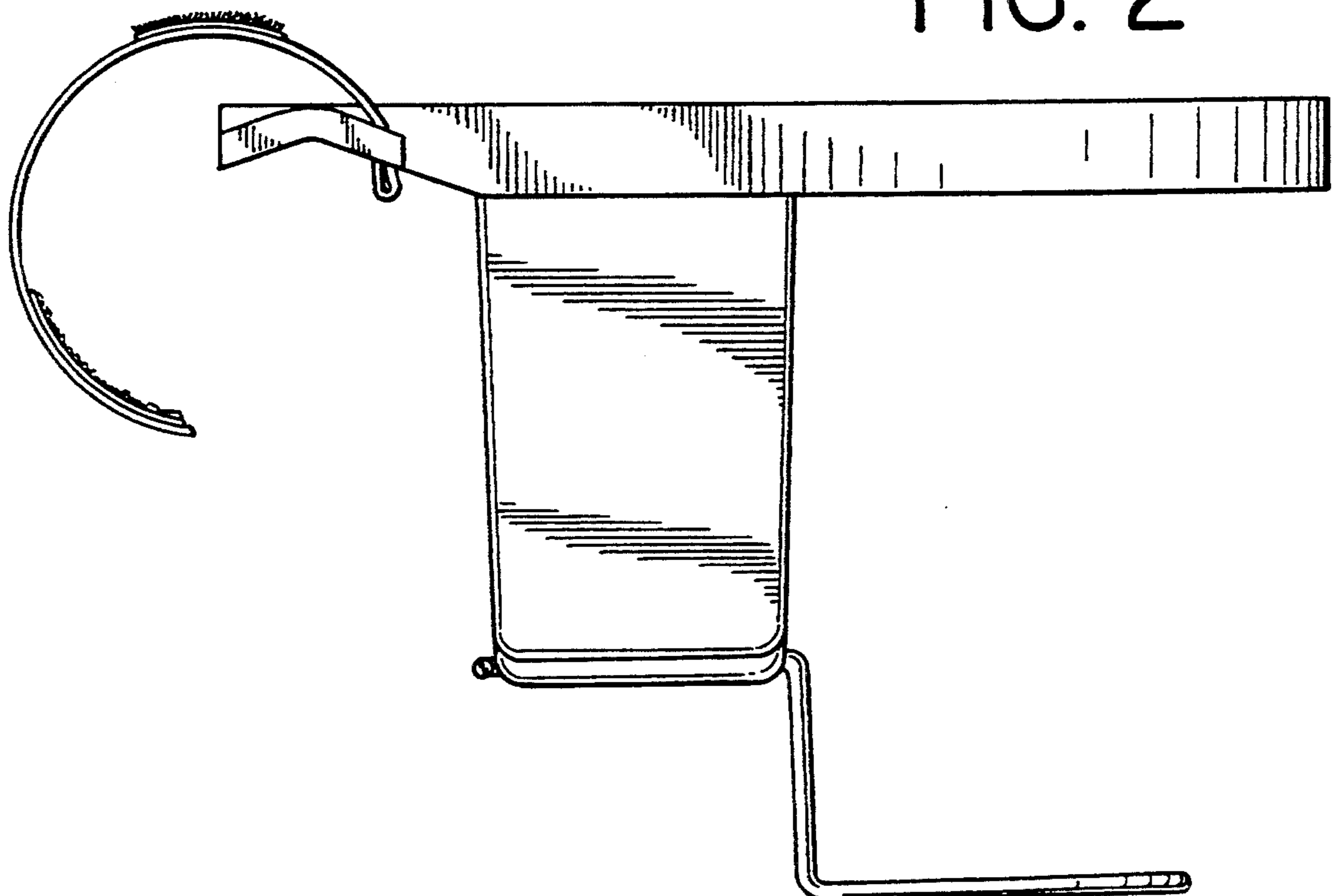


FIG. 3

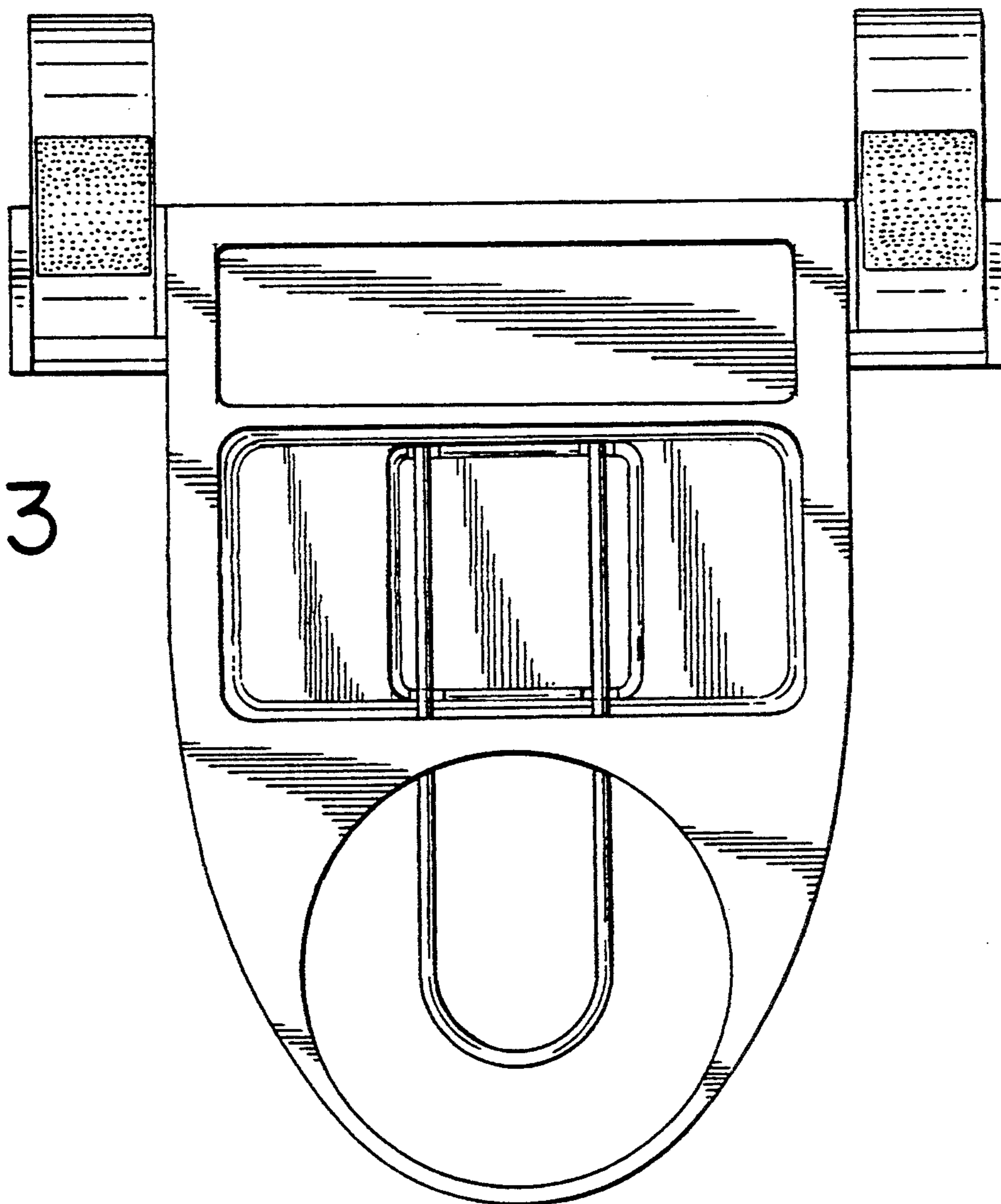
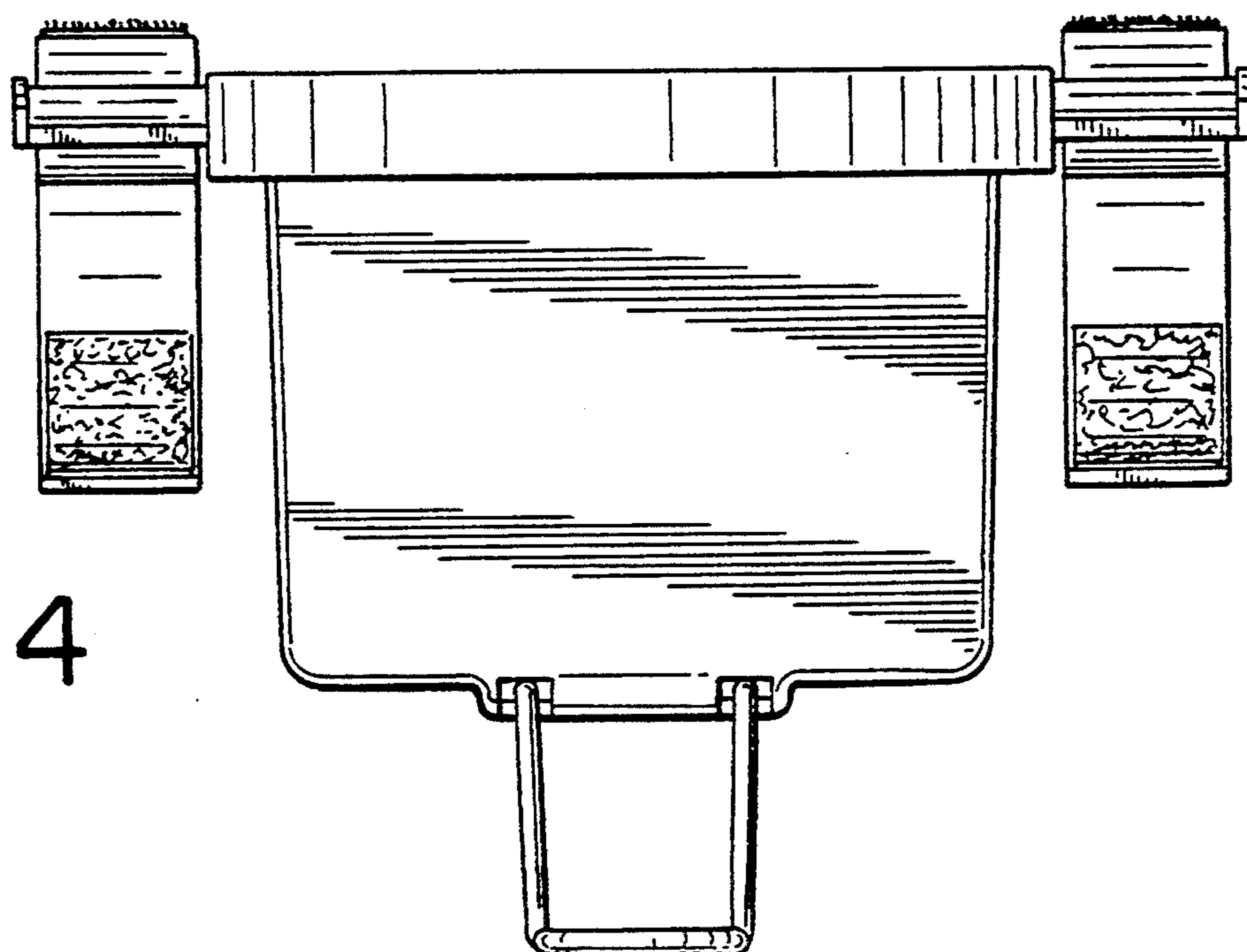


FIG. 4



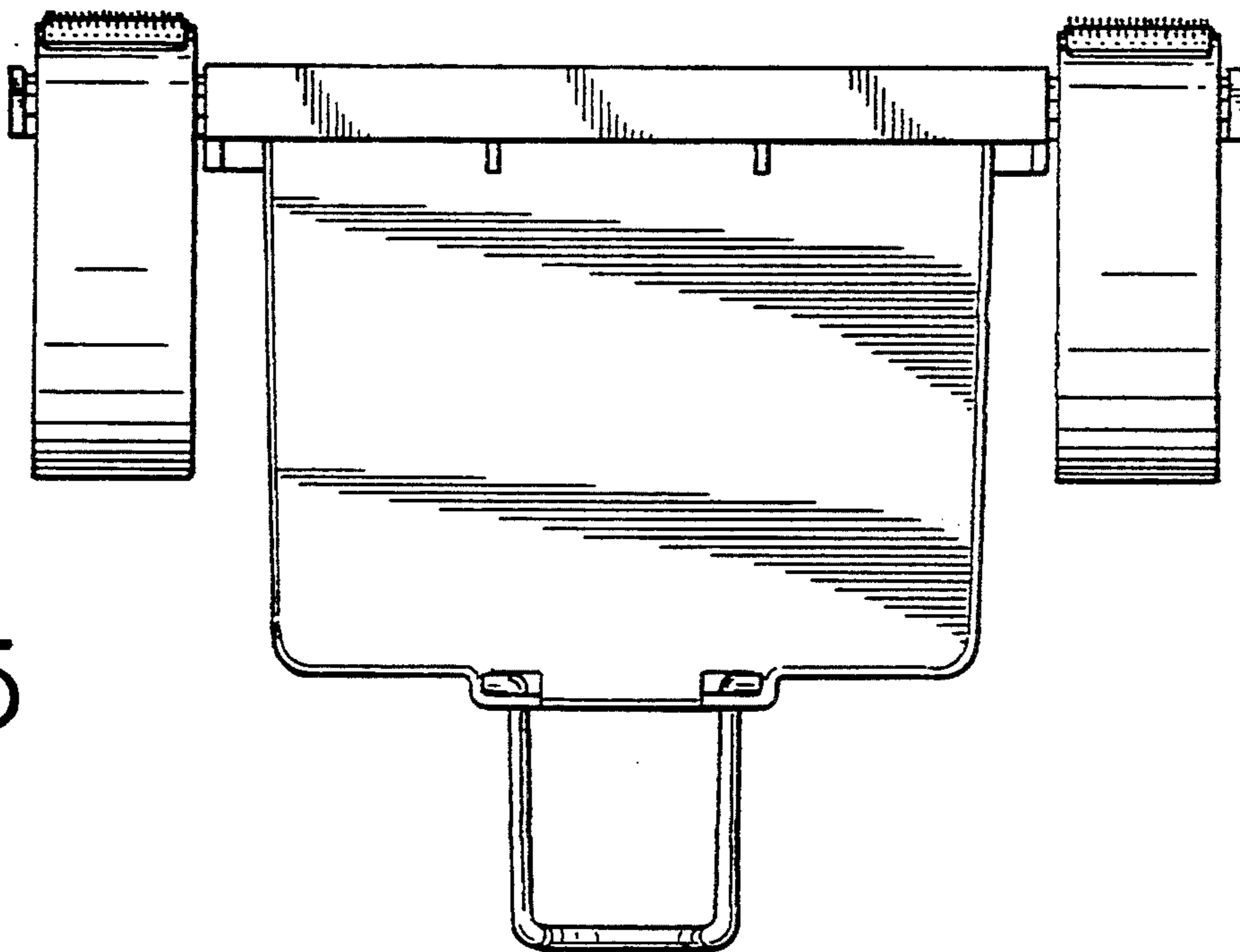


FIG. 5

FIG. 6

