



US00D361919S

United States Patent [19]

[11] Patent Number: **Des. 361,919**

Fouquet

[45] Date of Patent: **** Sep. 5, 1995**

[54] MEASURING COFFEE-MILL

[75] Inventor: **Jacques Fouquet, Lyon, France**

[73] Assignee: **Santos S.A., Vaulx En Velin, France**

[**] Term: **14 Years**

[21] Appl. No.: **17,689**

[22] Filed: **Jan. 21, 1994**

[30] Foreign Application Priority Data

Aug. 4, 1993 [FR] France 93 4188

[52] U.S. Cl. **D7/373**

[58] Field of Search **D7/372-374,**
D7/383-384, 679, 591-592, 596-597, 665;
241/DIG. 17, 83, 168-169, 169.1, 277,
279-280, 273.1

[56] References Cited

U.S. PATENT DOCUMENTS

D. 248,080 6/1978 Maejima D7/373

D. 248,159 6/1978 Maejima D7/373
D. 290,332 6/1987 Foley et al. D7/373
D. 295,359 4/1988 Nidiffer et al. D7/373
D. 296,181 6/1988 Schaaf et al. D7/373
D. 353,075 12/1994 Littmann et al. D7/373

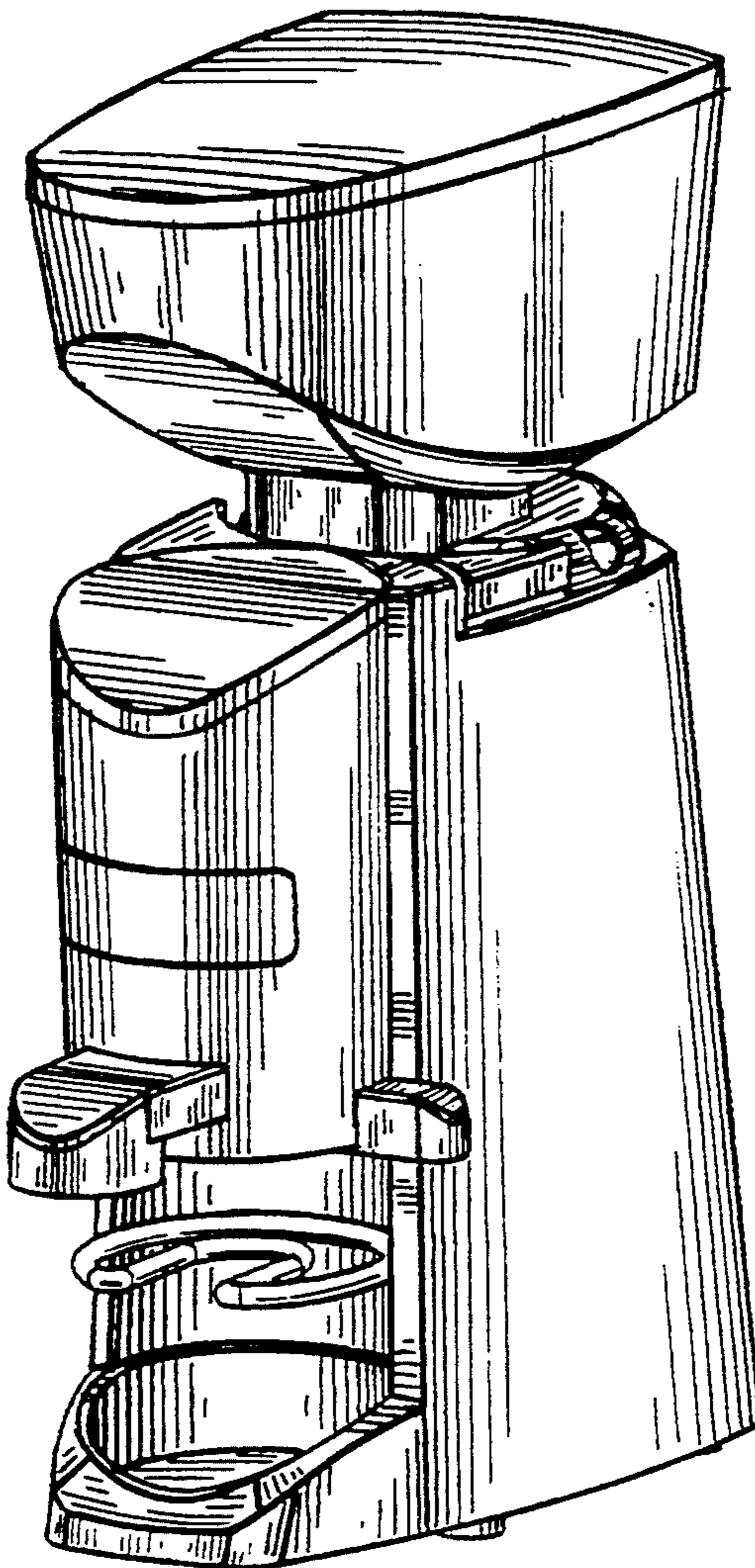
Primary Examiner—Ruth McInroy
Attorney, Agent, or Firm—Dowell & Dowell

[57] CLAIM

The ornamental design for a measuring coffee-mill, as shown.

DESCRIPTION

FIG. 1 is a front perspective view of a measuring coffee mill showing my new design;
FIG. 2 is a rear perspective view thereof;
FIG. 3 is a front elevation view thereof;
FIG. 4 is a bottom plan view thereof;
FIG. 5 is a right side elevation view thereof;
FIG. 6 is a left side elevation view thereof;
FIG. 7 is a rear elevation view thereof; and,
FIG. 8 is a top plan view thereof.



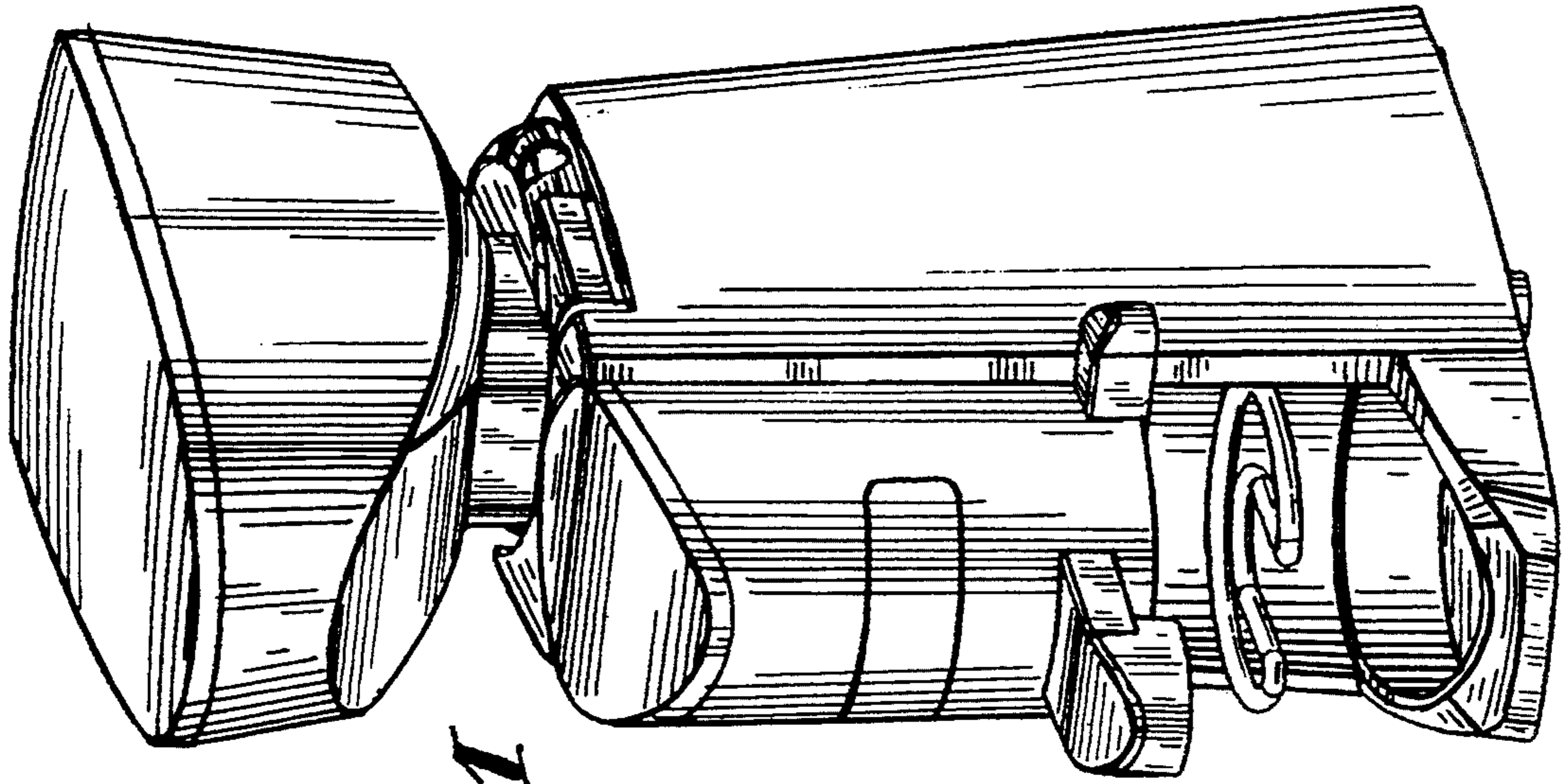


Fig. 1

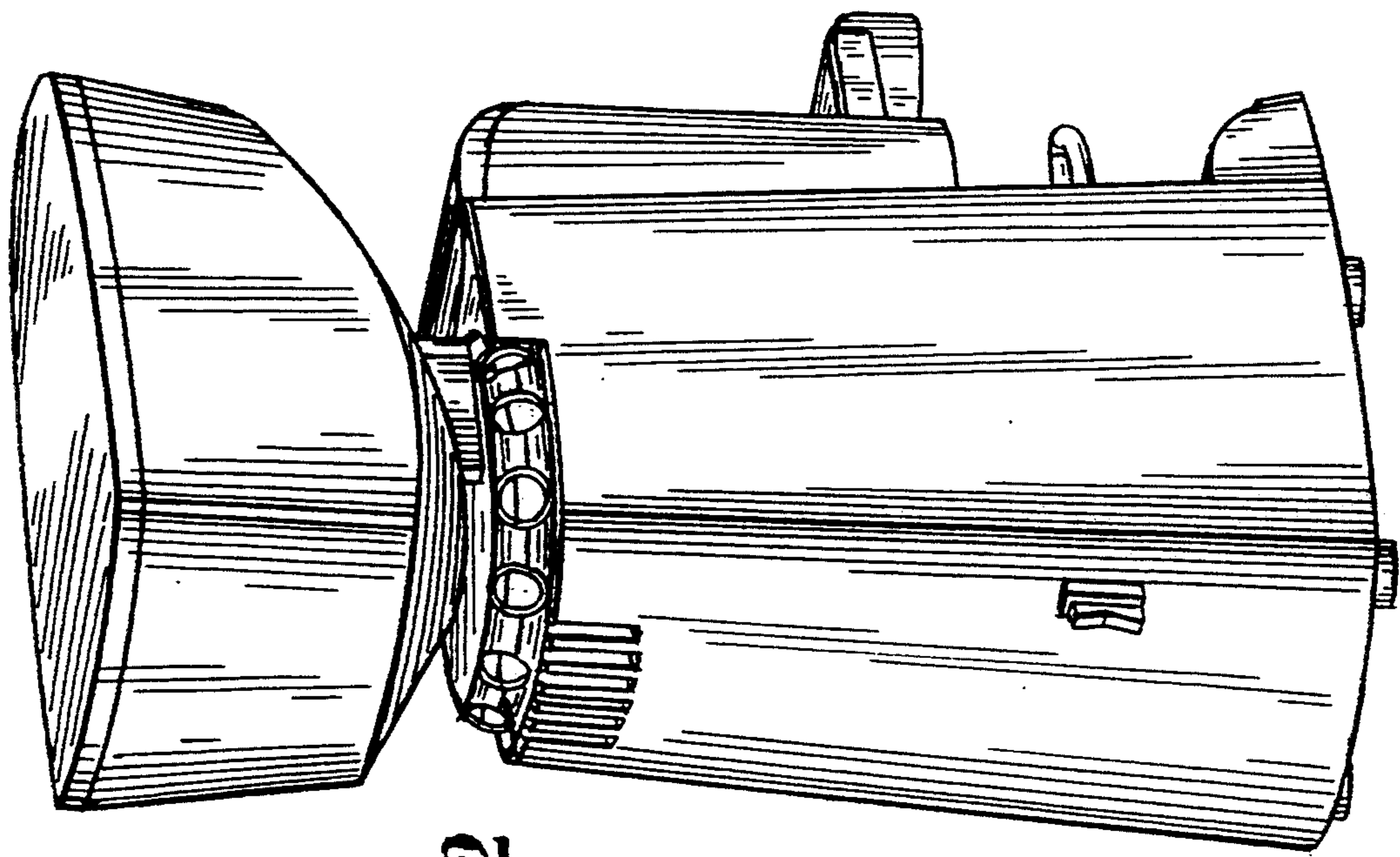


Fig. 2

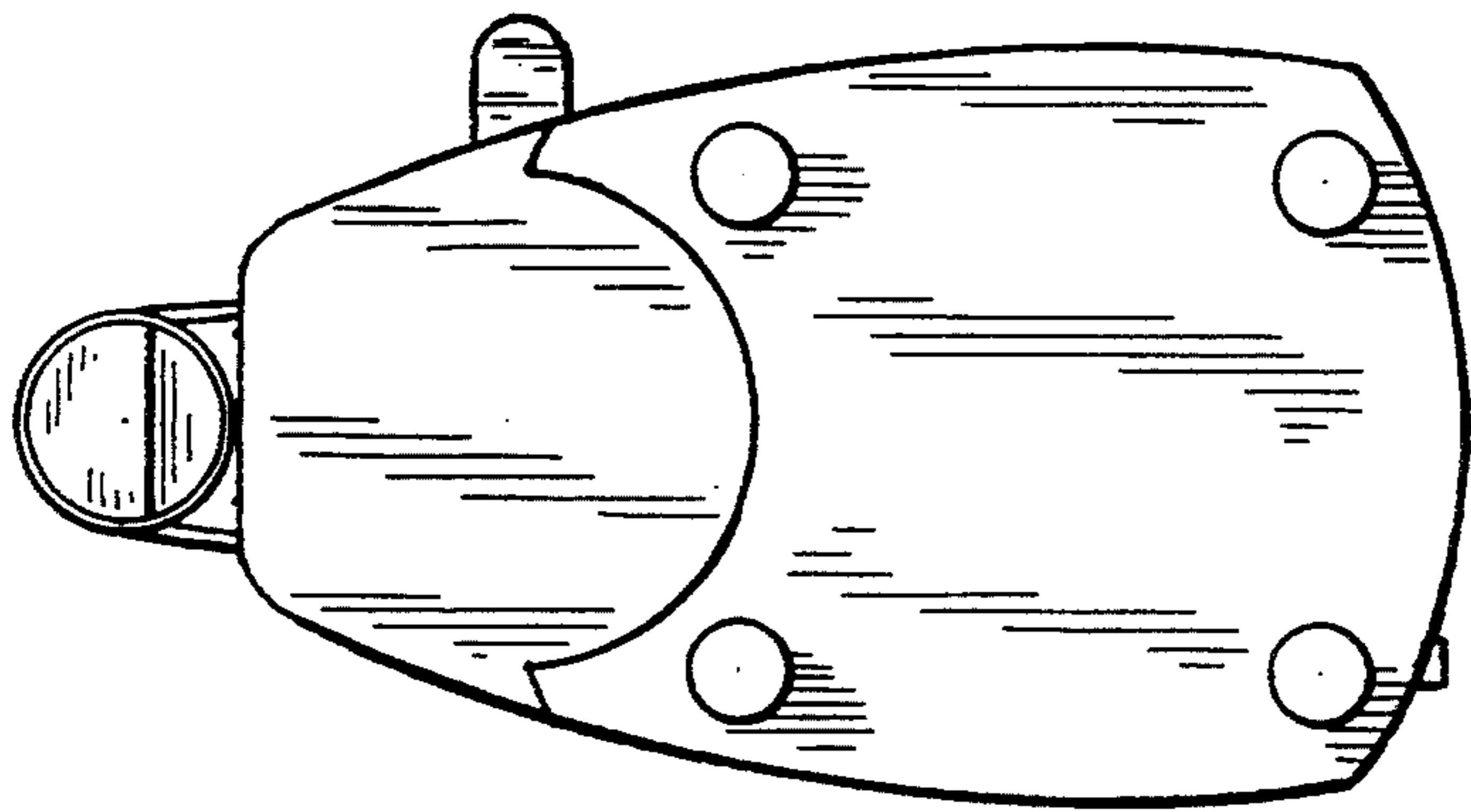


Fig. 4

Fig. 5

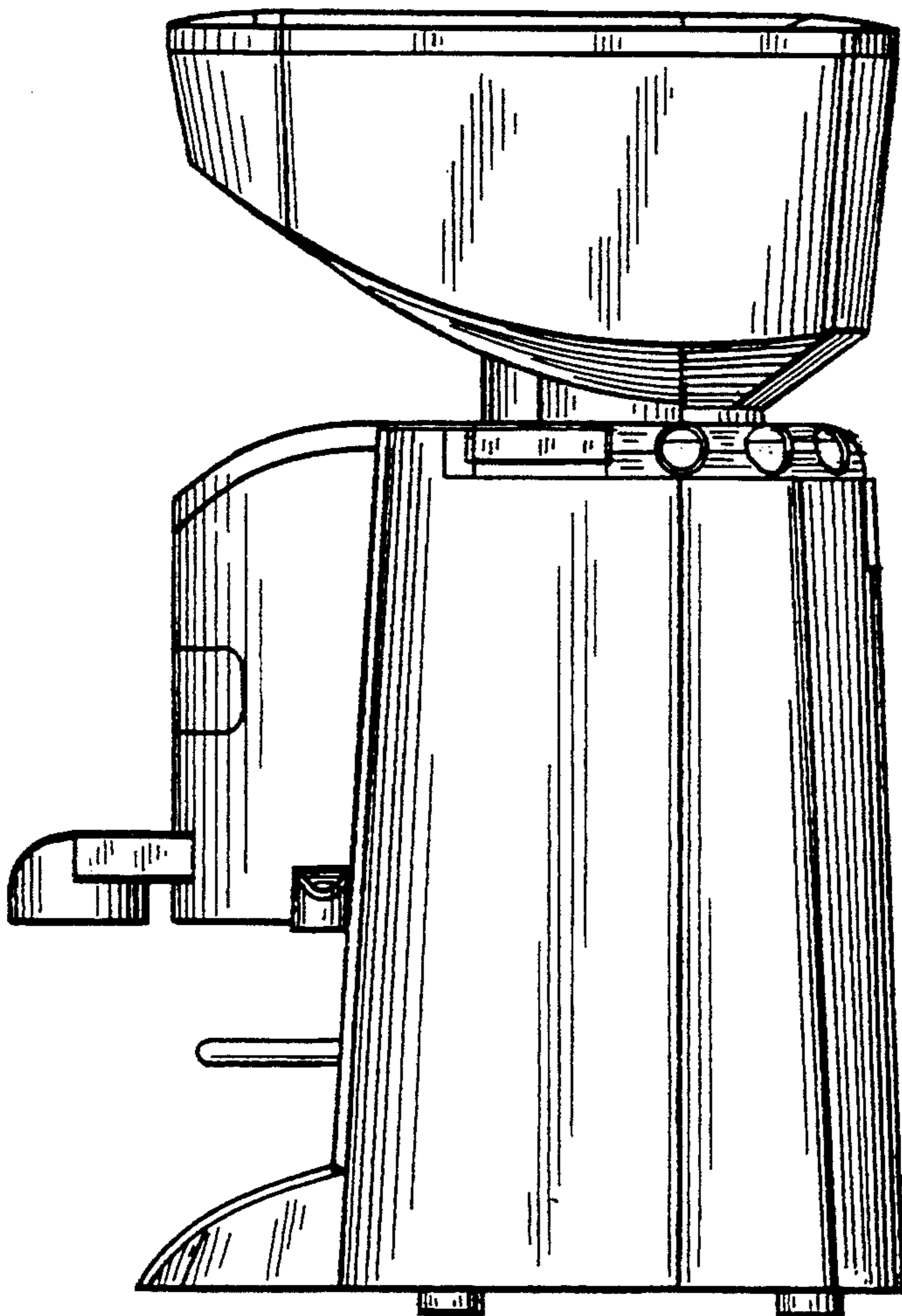
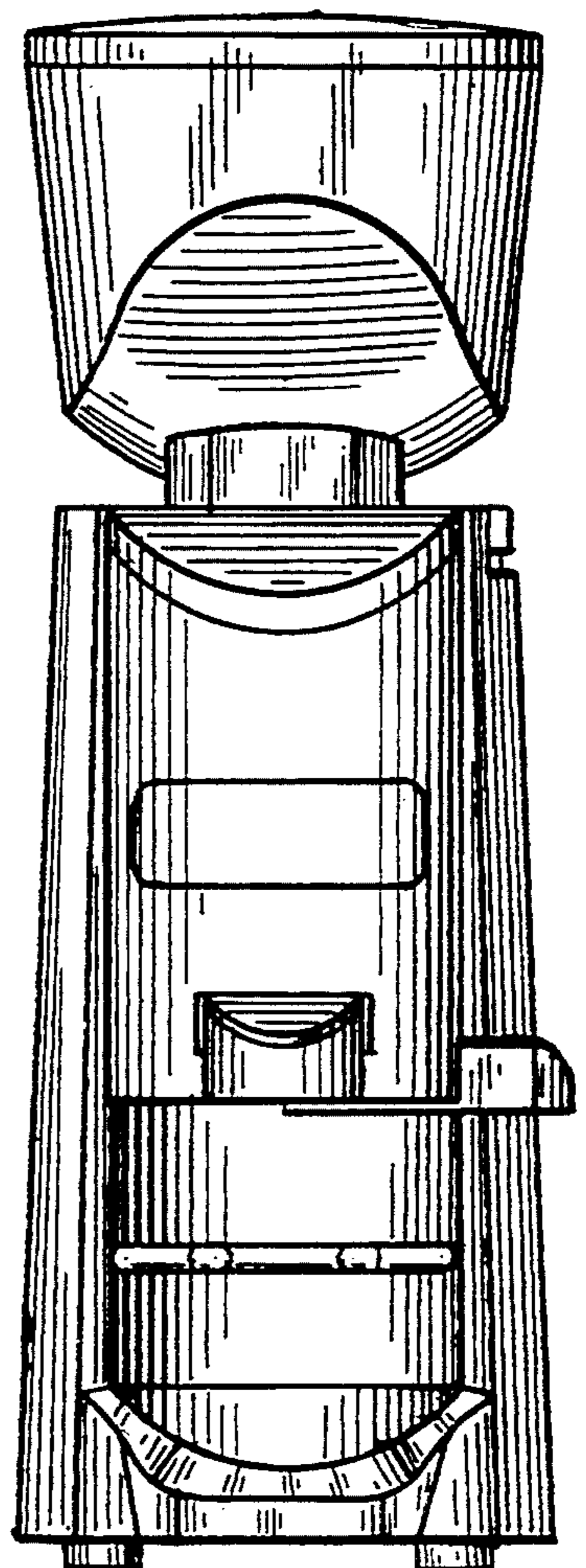


Fig. 3



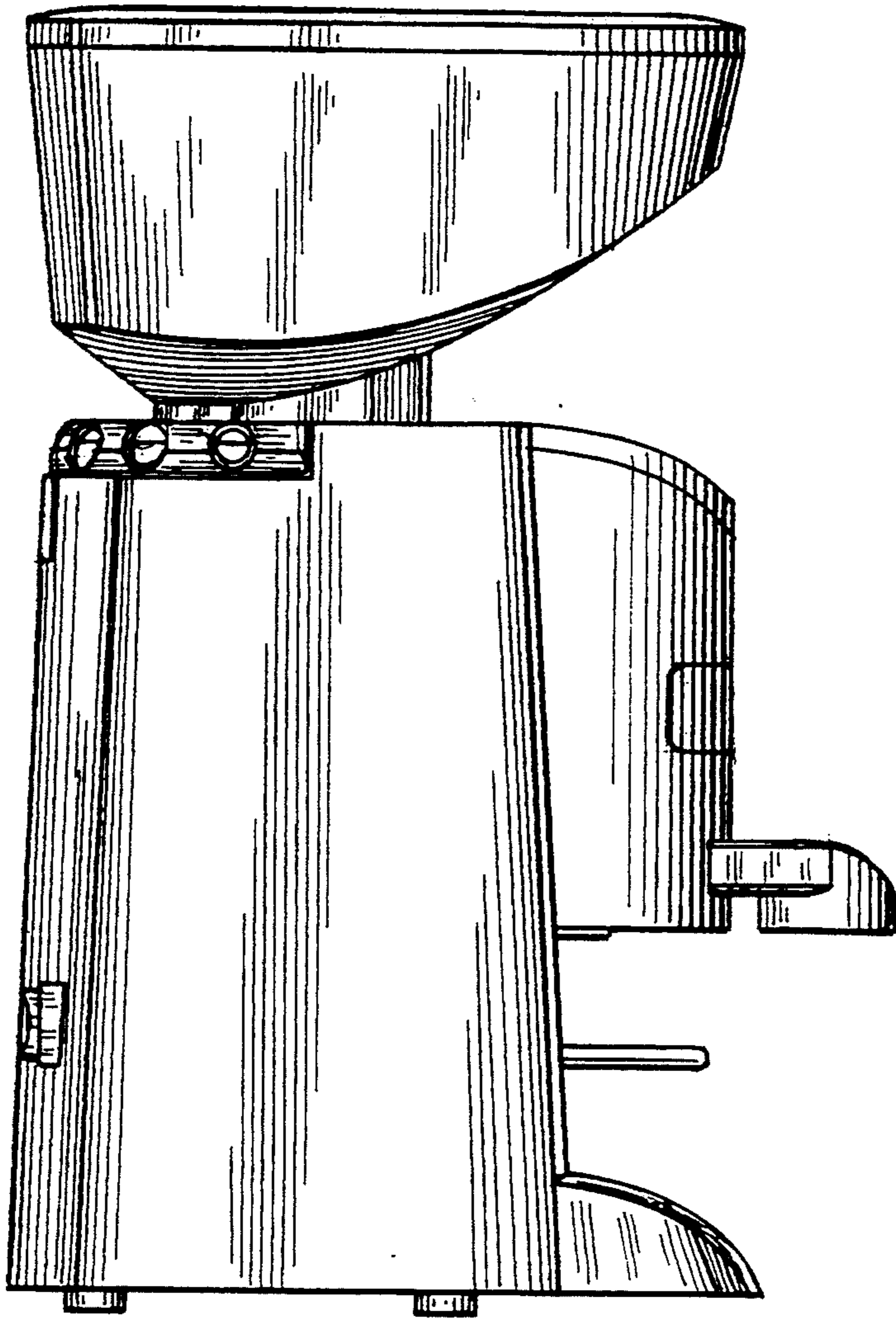


Fig. 6

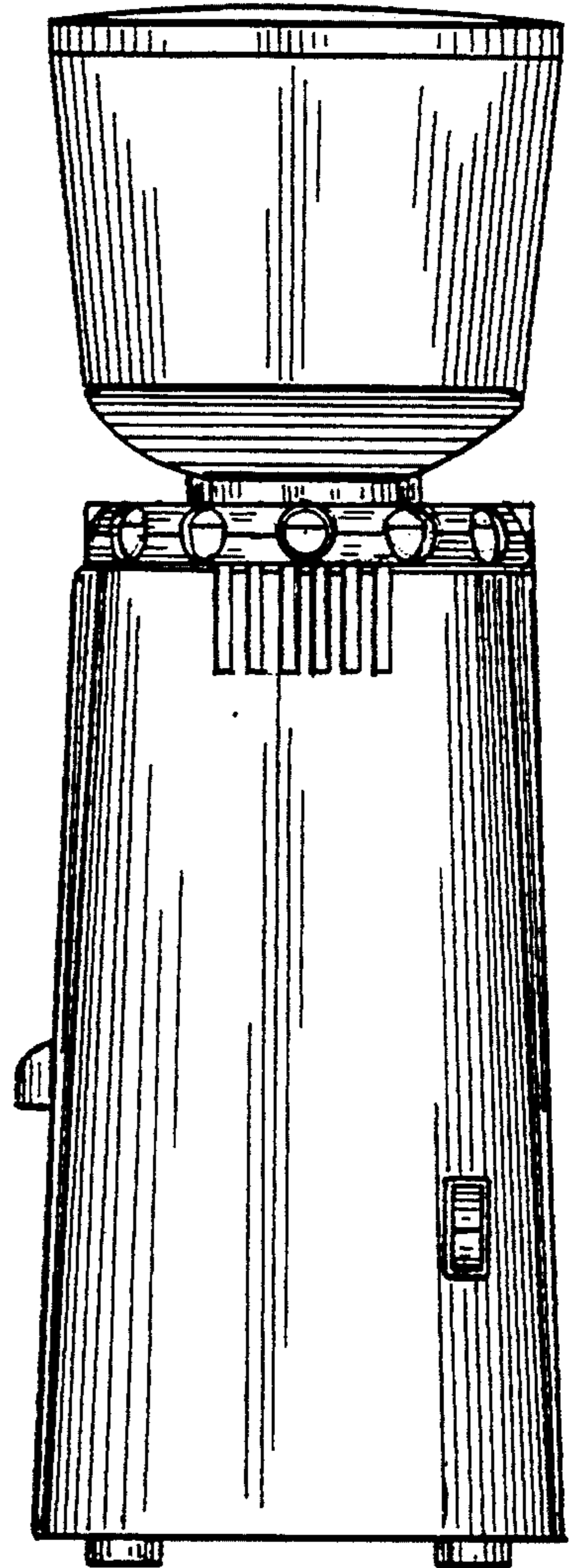


Fig. 7

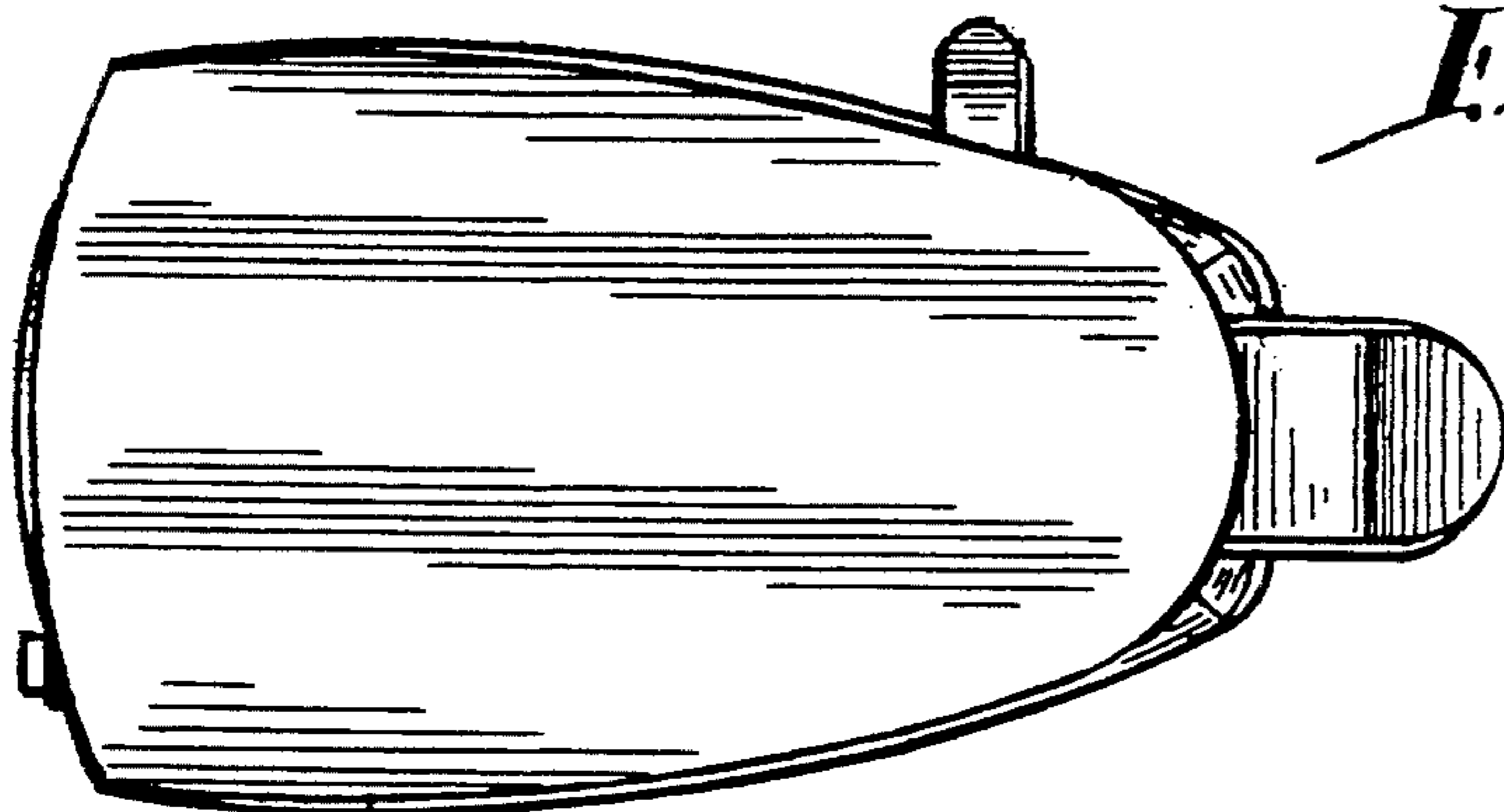


Fig. 8