



US00D361918S

United States Patent [19]

[11] Patent Number: **Des. 361,918**

Cesaroni et al.

[45] Date of Patent: **** Sep. 5, 1995**

[54] **HOT AIR CORN POPPER**

[75] Inventors: **William C. Cesaroni**, Glenview;
Anthony M. Kulusic, Chicago, both
of Ill.

[73] Assignee: **The West Bend Company**, West Bend,
Wis.

[**] Term: **14 Years**

[21] Appl. No.: **26,273**

[22] Filed: **Jul. 25, 1994**

[52] U.S. Cl. **D7/325**

[58] Field of Search **D7/323, 325; 99/323.5,
99/442**

[56] **References Cited**

U.S. PATENT DOCUMENTS

D. 262,426	12/1981	Bluestein et al.	D7/325
D. 279,448	7/1985	Spoeth, Jr.	D7/325
D. 338,800	8/1993	Duquaine, Jr. et al.	D7/325
4,748,903	6/1988	Fereshetian	D7/325 X

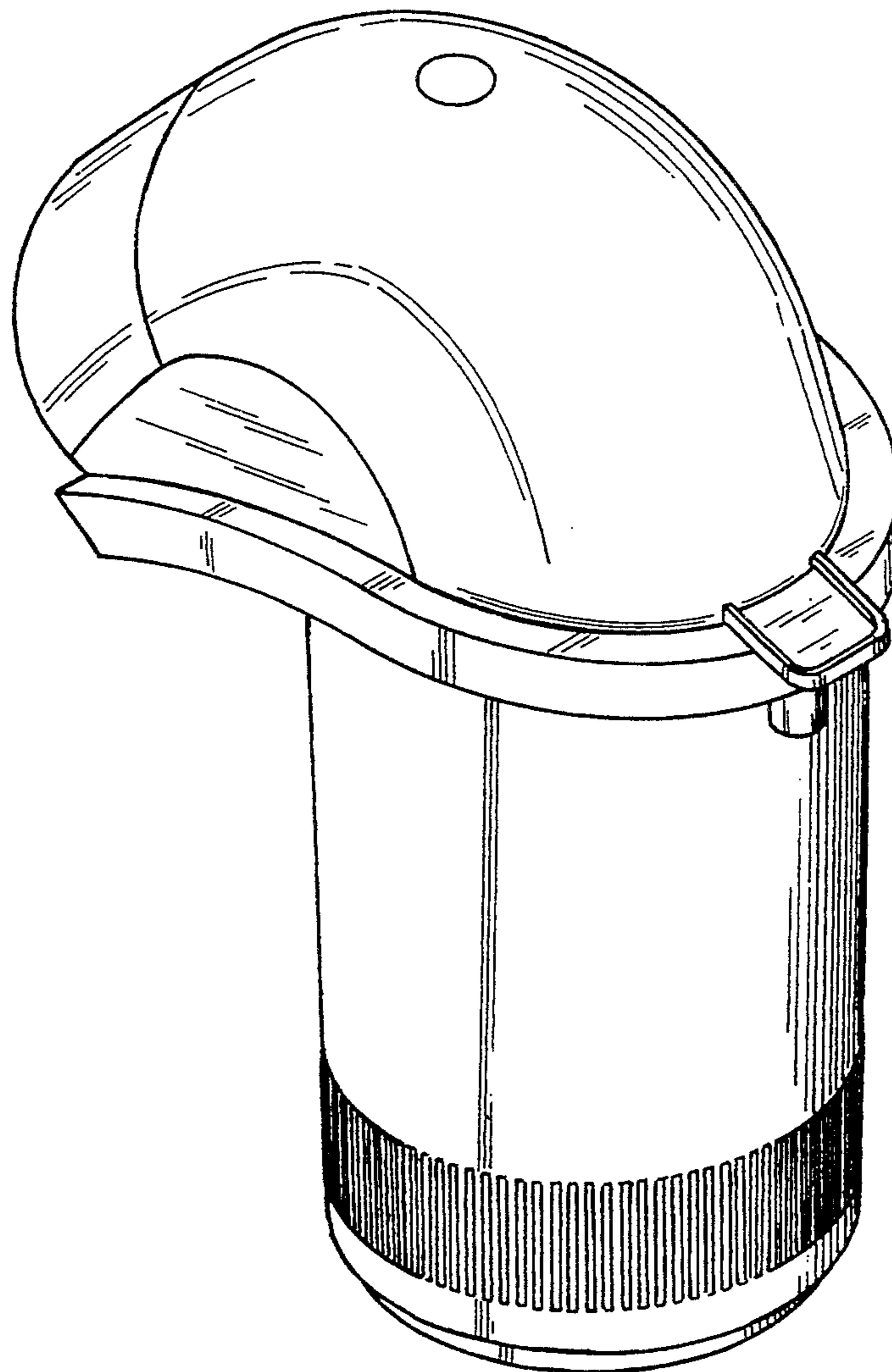
Primary Examiner—Alan P. Douglas
Assistant Examiner—Caron D. Veyner
Attorney, Agent, or Firm—Jansson & Shupe, Ltd.

[57] **CLAIM**

The ornamental design for a hot air corn popper, as shown and described.

DESCRIPTION

FIG. 1 is a perspective view of the design of this application;
FIG. 2 is a front elevation view of the design of this application, the rear elevation view being a mirror image thereof;
FIG. 3 is a top plan view of the design of this application;
FIG. 4 is a left side elevation of the design of this application;
FIG. 5 is a right side elevation of the design of this application; and,
FIG. 6 is a bottom plan view of the design of this application.



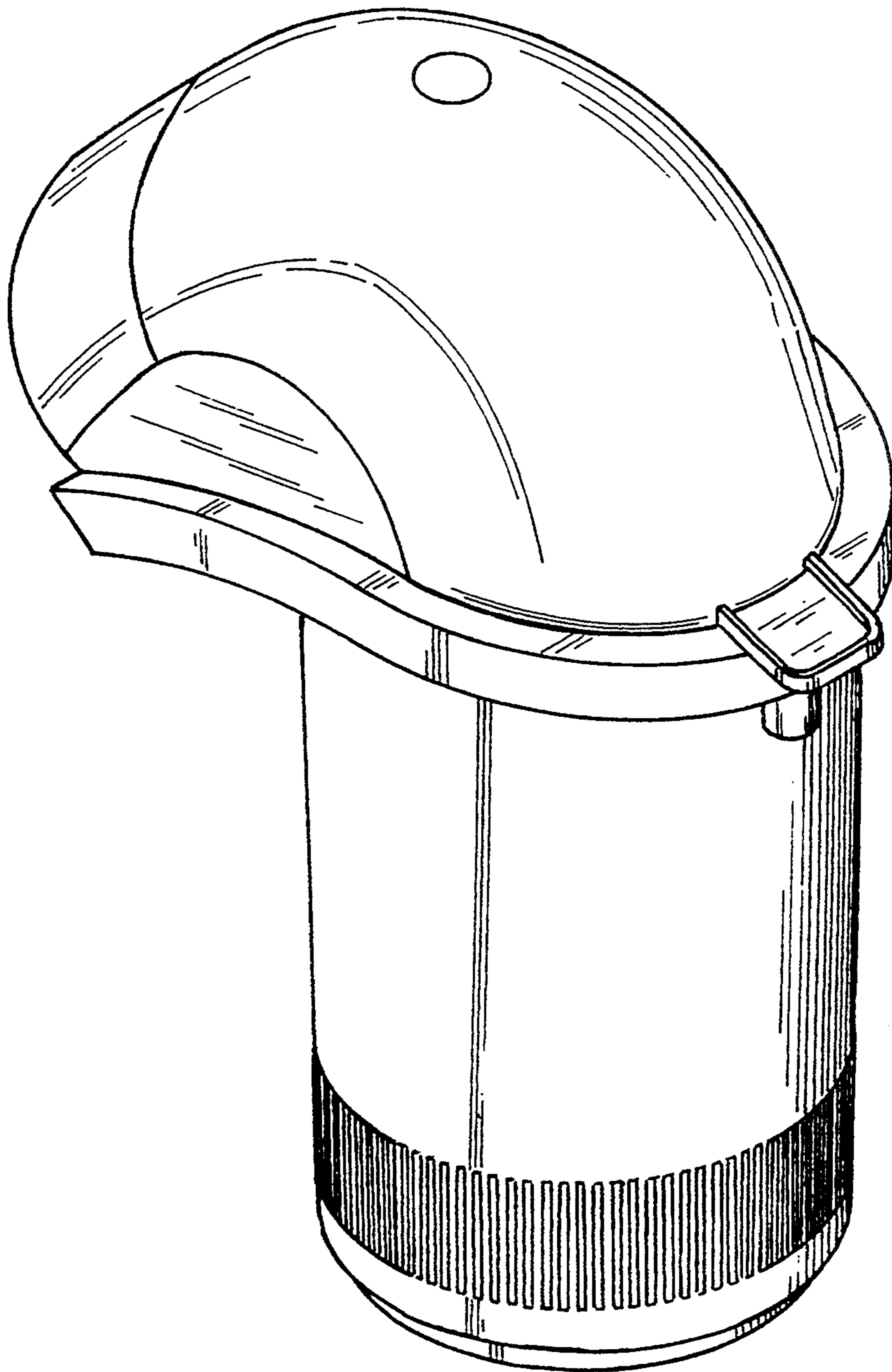


FIG. 1

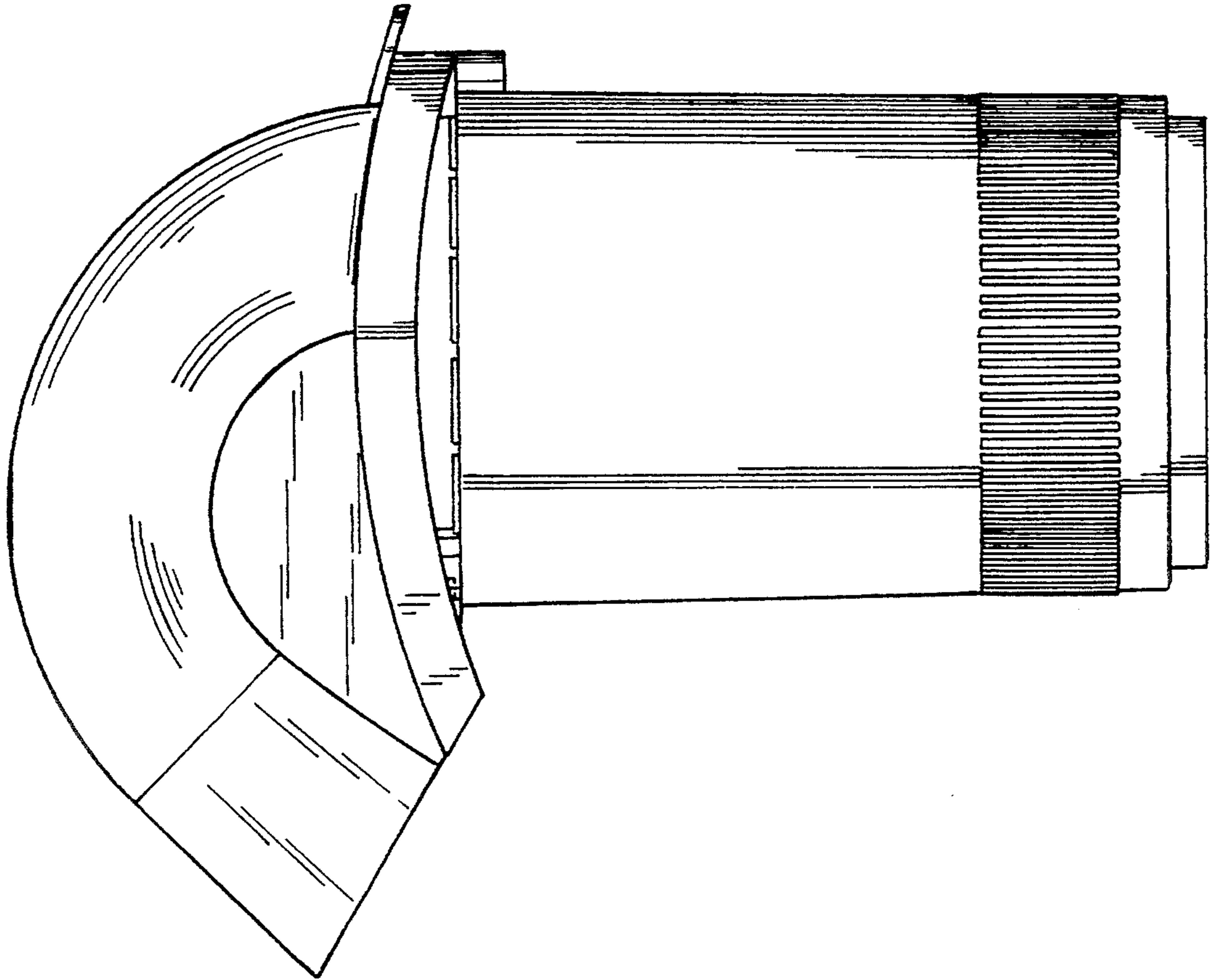


FIG. 2

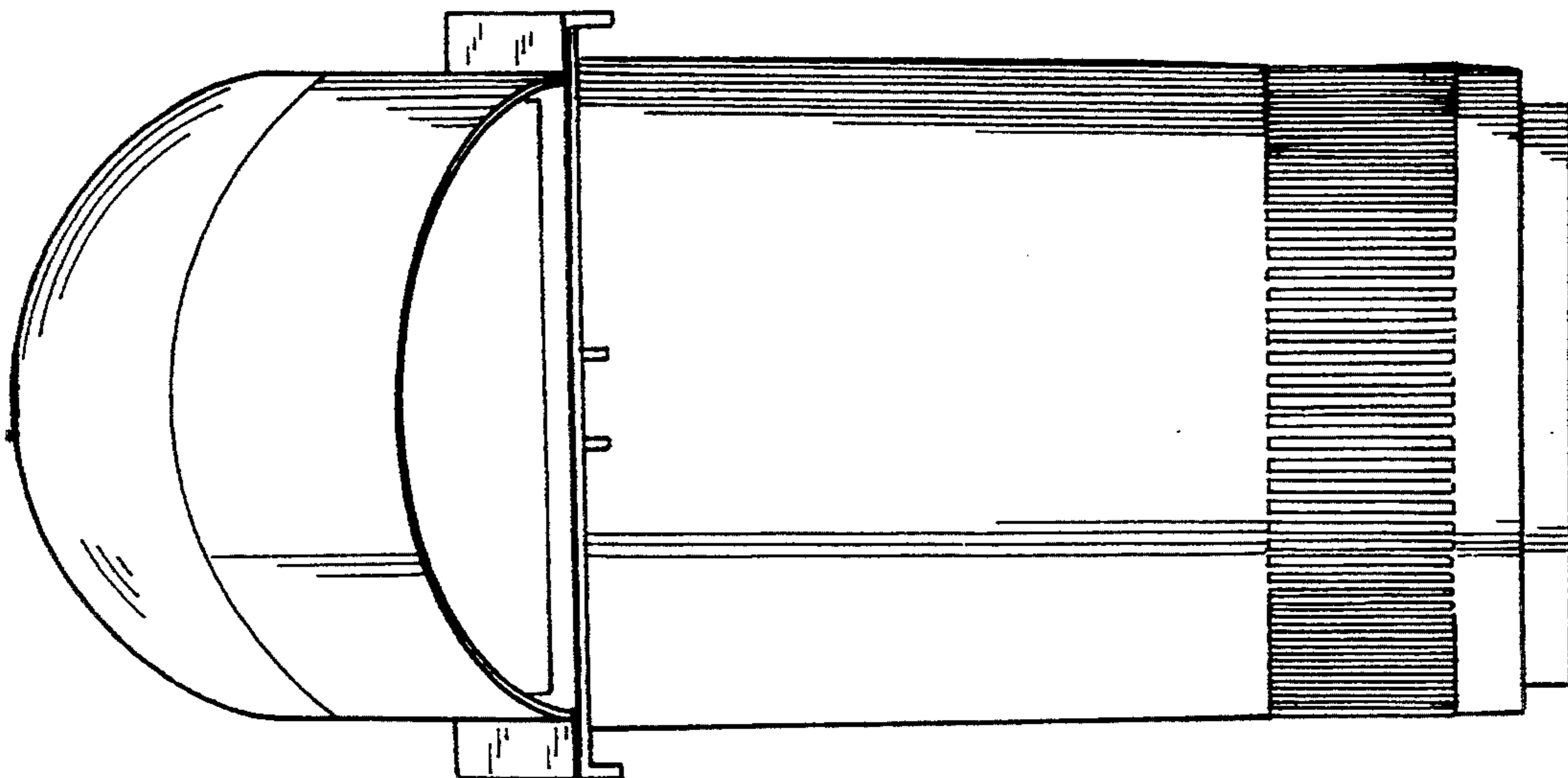


FIG. 4

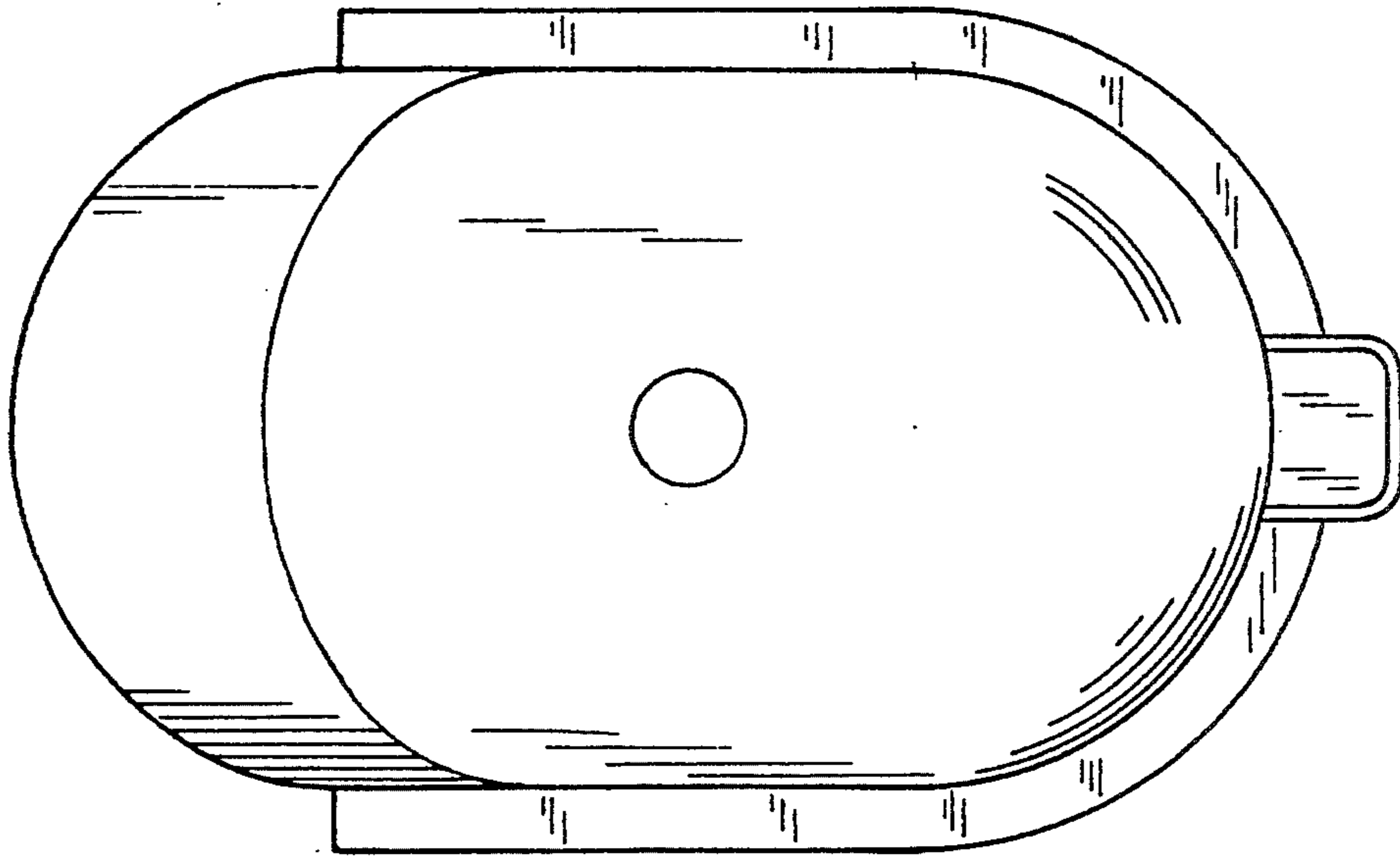


FIG. 3

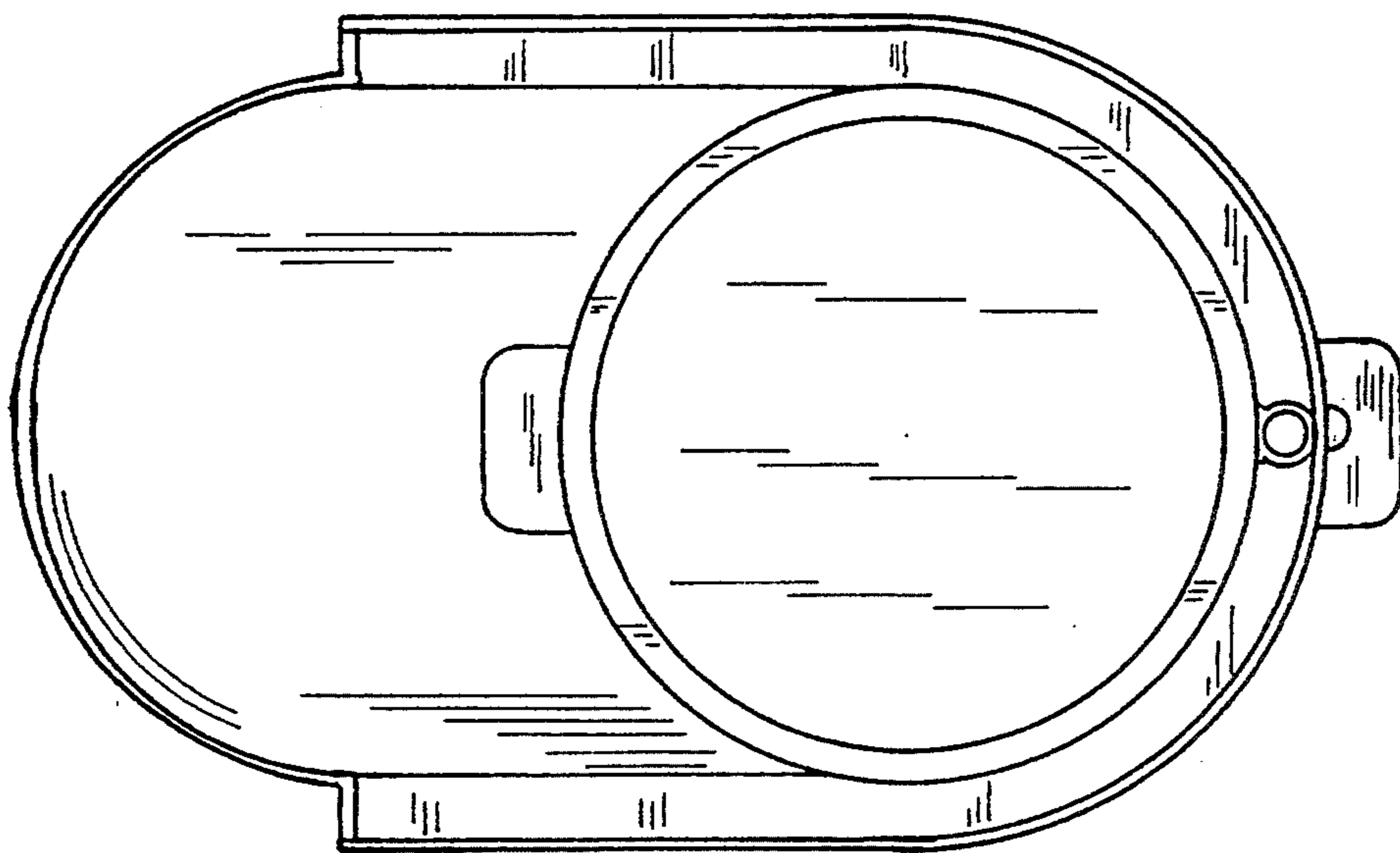


FIG. 6

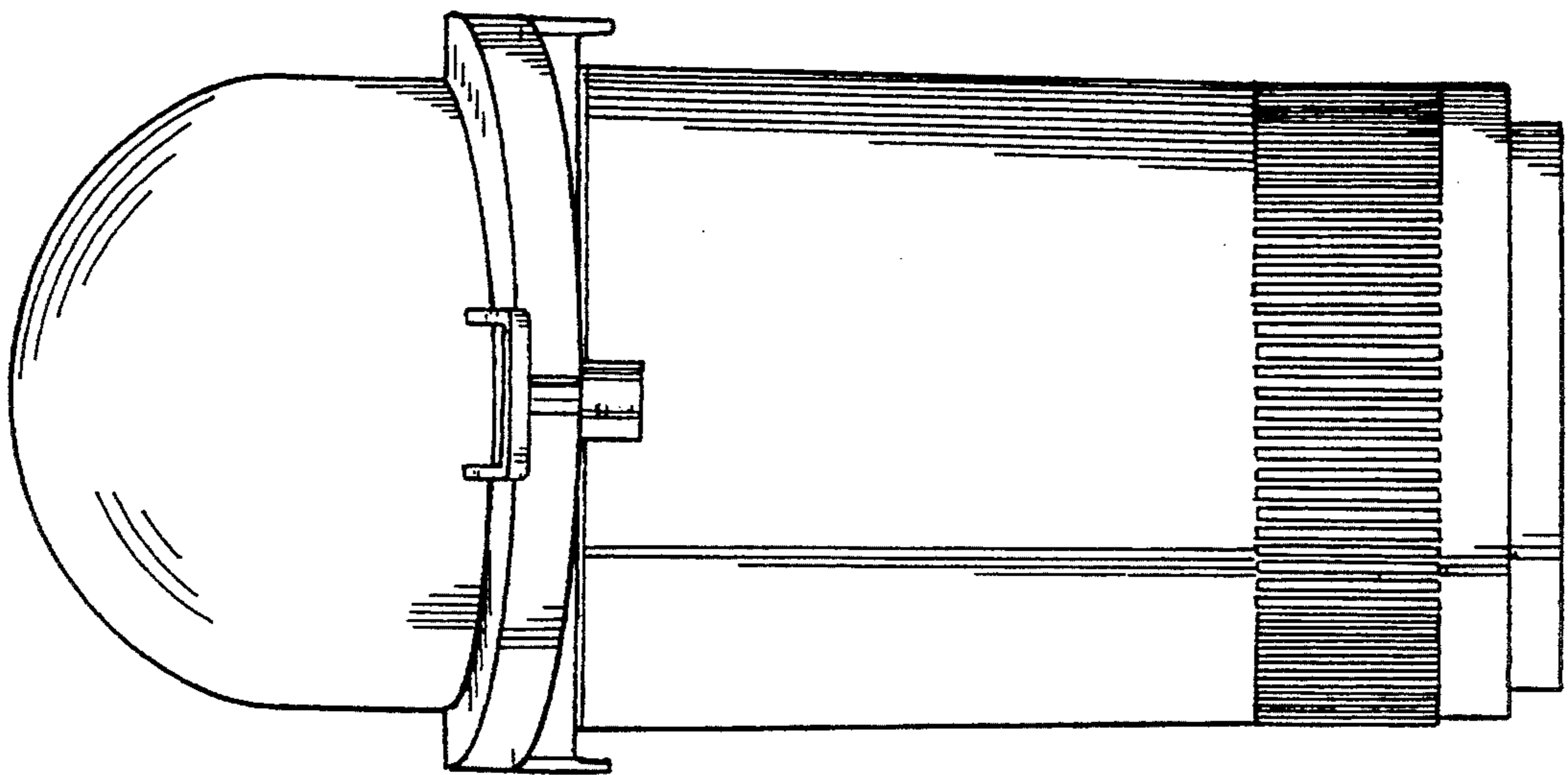


FIG. 5