



US00D361909S

# United States Patent [19]

[11] Patent Number: **Des. 361,909**

Natuzzi et al.

[45] Date of Patent: **\*\* Sep. 5, 1995**

[54] SEAT

[75] Inventors: **Pasquale Natuzzi; Raffaella Lucarelli**, both of Santeramo In Colle, Italy

[73] Assignee: **Industrie Natuzzi SPA**, Bari, Italy

[\*\*] Term: **14 Years**

[21] Appl. No.: **20,626**

[22] Filed: **Mar. 30, 1994**

[52] U.S. Cl. .... **D6/381; D6/335**

[58] Field of Search ..... **D6/334, 335, 336, 371, D6/364, 373, 381, 500, 501, 502; 297/232**

[56] **References Cited**

**U.S. PATENT DOCUMENTS**

- D. 284,145 6/1986 Staats et al. .... D6/381
- D. 342,168 12/1993 Gibson ..... D6/381

**OTHER PUBLICATIONS**

- Domus, Dec. 1979, P. HH, sofa in background, mid-page.
- Domus, Jan. 1984, P. J. sofa at bottom.
- Domus, May 1981, P. WWW, sofa at bottom.
- Ekornes, p. 31 sofa at bottom right.
- Natuzzi Model No. 450 Oct. 1988 at International Home Furnishings Market in High Point, N.C.
- Natuzzi Model No. 722 Oct. 1989 at International Home Furnishings Market in High Point, N.C.
- Natuzzi Model No. 881 Oct. 1991 at International Home Furnishings Market in High Point, N.C.

Natuzzi Model No. 970 Oct. 1992 at International Home Furnishings Market in High Point, N.C.  
 Natuzzi Model No. 989 Oct. 1992 at International Home Furnishings Market in High Point, N.C.  
 Natuzzi Model No. 1020 Mar. 1993 at International Home Furnishings Market in High Point, N.C.

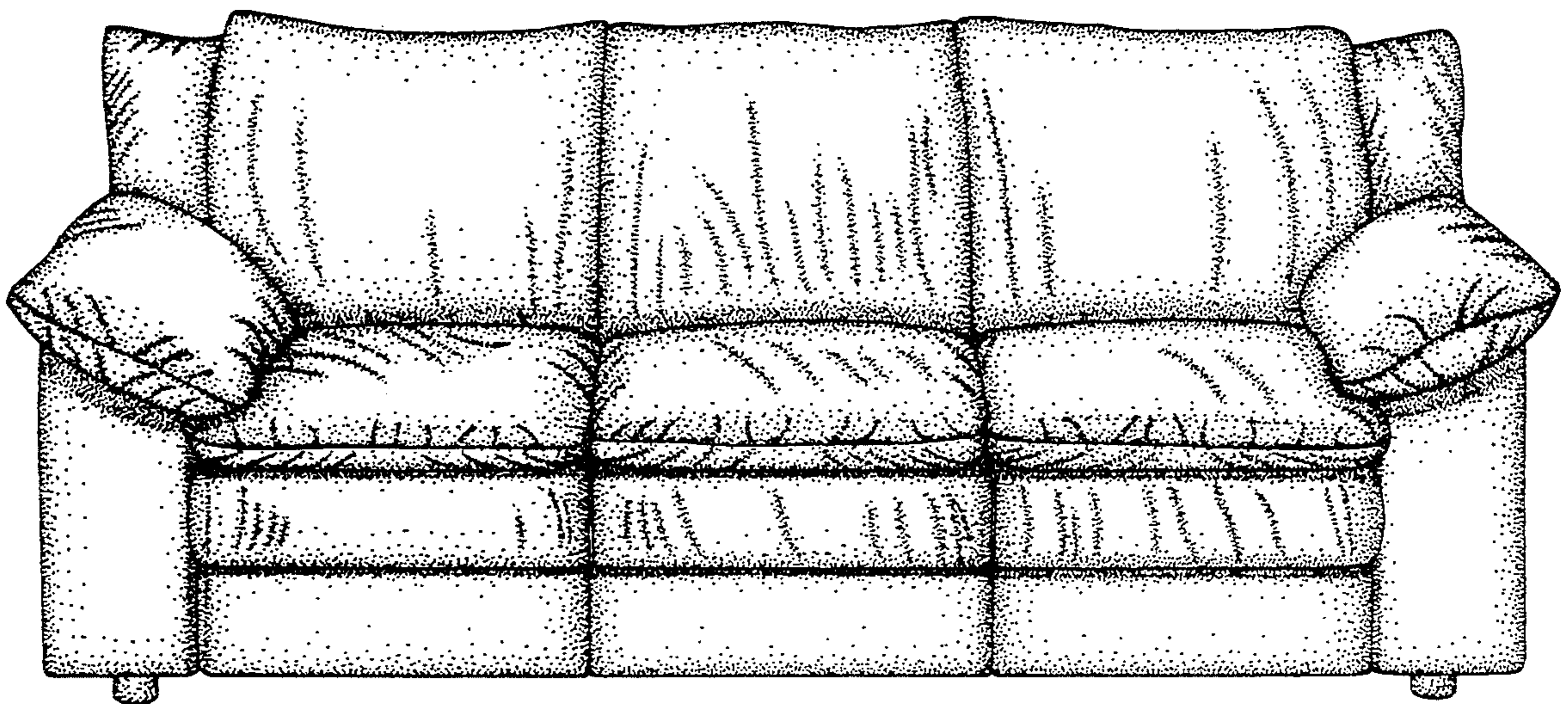
*Primary Examiner*—Alan P. Douglas  
*Assistant Examiner*—Gary D. Watson  
*Attorney, Agent, or Firm*—Bell, Seltzer, Park & Gibson

[57] **CLAIM**

The ornamental design for a seat, as shown and described.

**DESCRIPTION**

FIG. 1 is a perspective view of a seat showing our new design in the form of a sofa;  
 FIG. 2 is a front elevational view;  
 FIG. 3 is a top plan view;  
 FIG. 4 is a right side elevational view, and the left side elevational view being a mirror image thereof;  
 FIG. 5 is a rear perspective view;  
 FIG. 6 is a perspective view of a seat showing our new design in the form of a sectional;  
 FIG. 7 is a top plan view of FIG. 6;  
 FIG. 8 is a front elevational view of FIG. 6;  
 FIG. 9 is a left side elevational view of FIG. 6;  
 FIG. 10 is a right side elevational view of FIG. 6;  
 FIG. 11 is a rear perspective view of FIG. 6 taken from the left; and,  
 FIG. 12 is a rear perspective view of FIG. 6 taken from the right.  
 The rear view of the various figures is plain and conforms to the designs shown in FIGS. 1 through 4 and FIGS. 6 through 10 respectively.



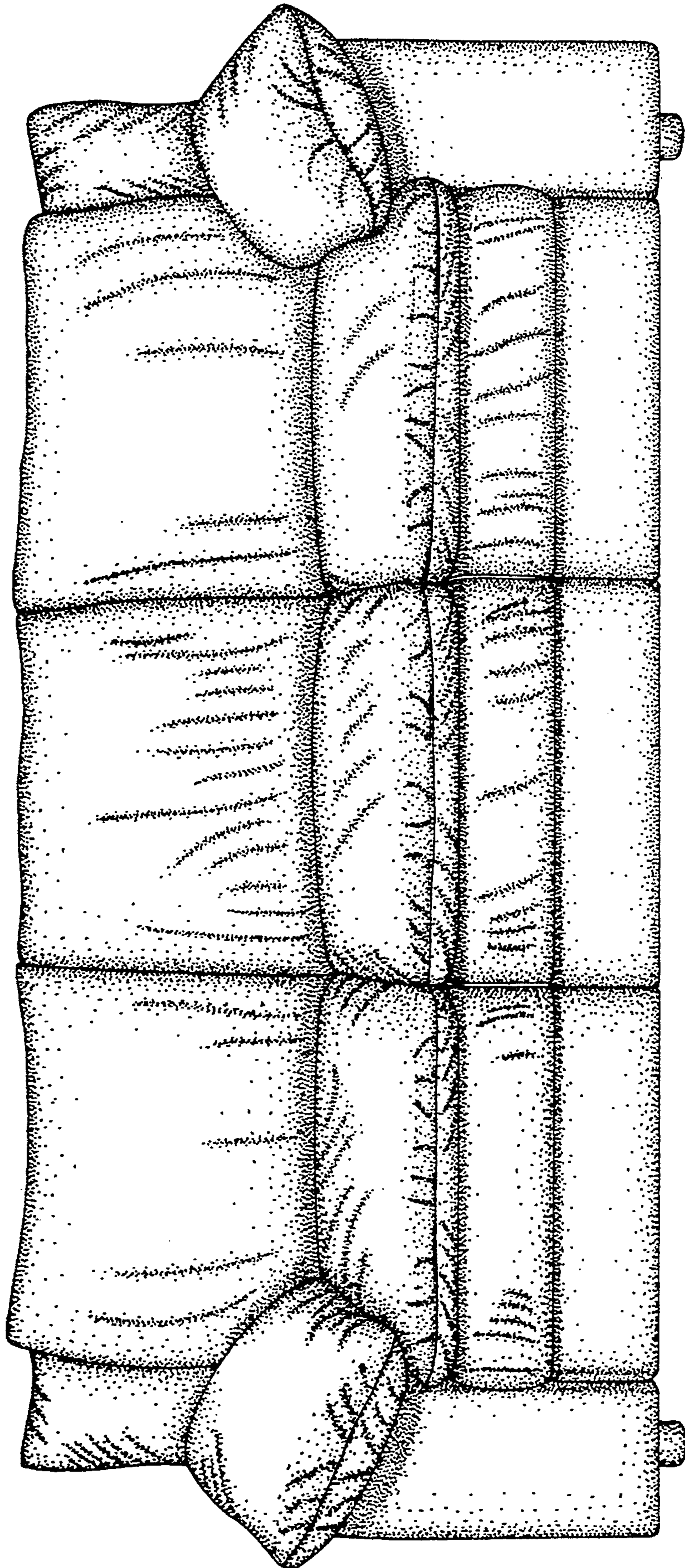


FIG. 1

FIG. 2

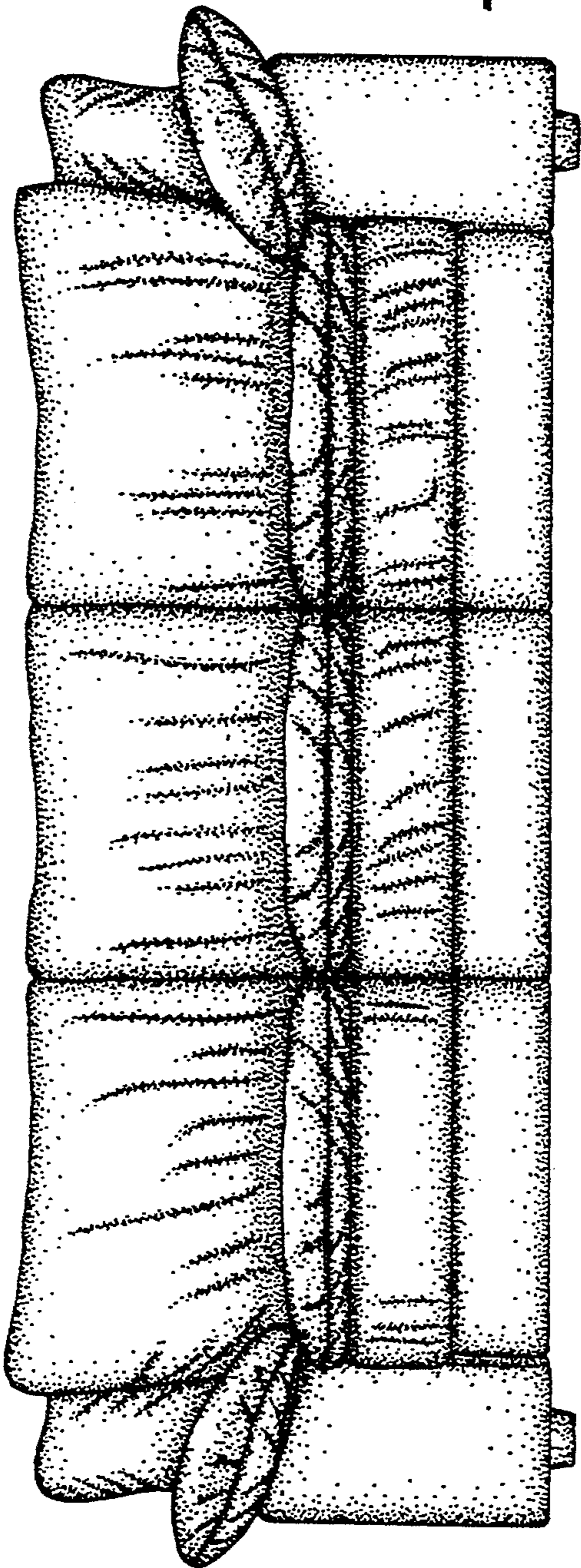
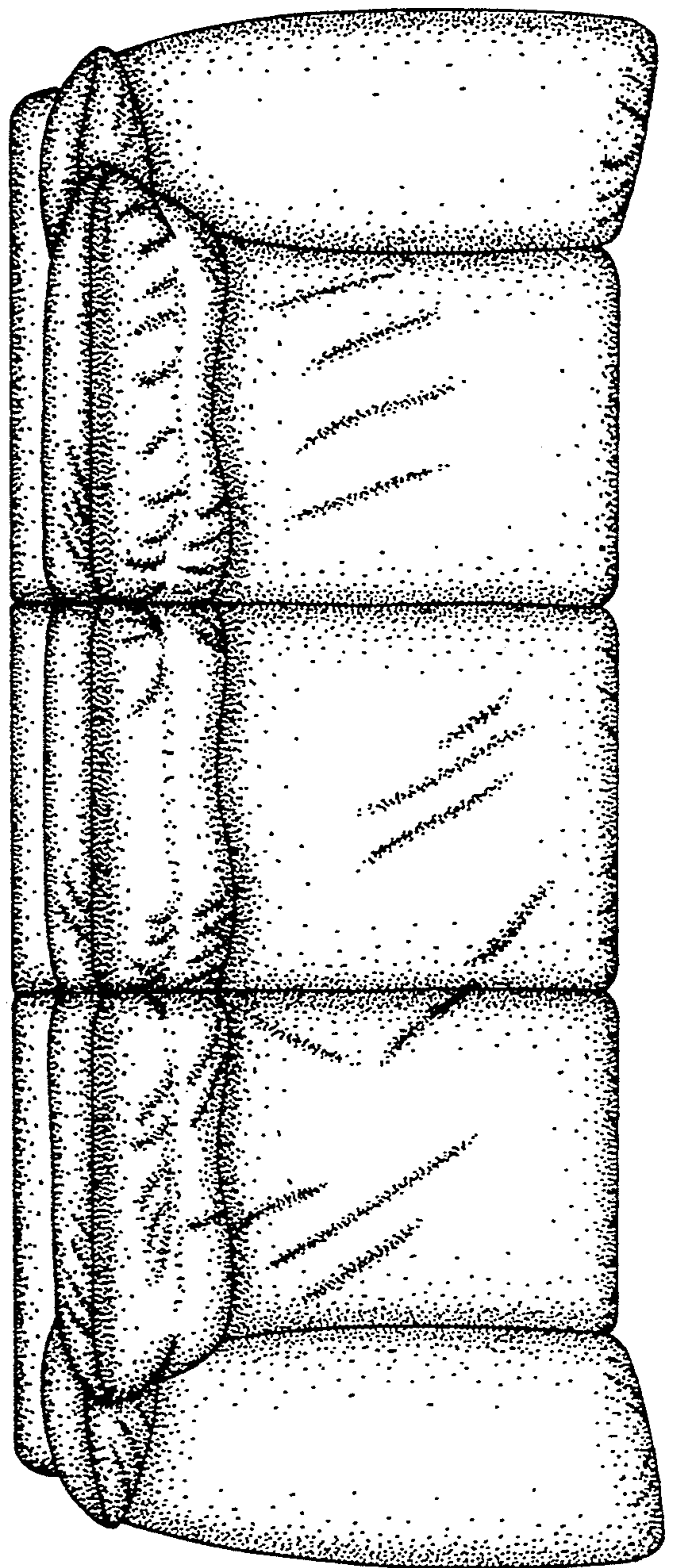


FIG. 3



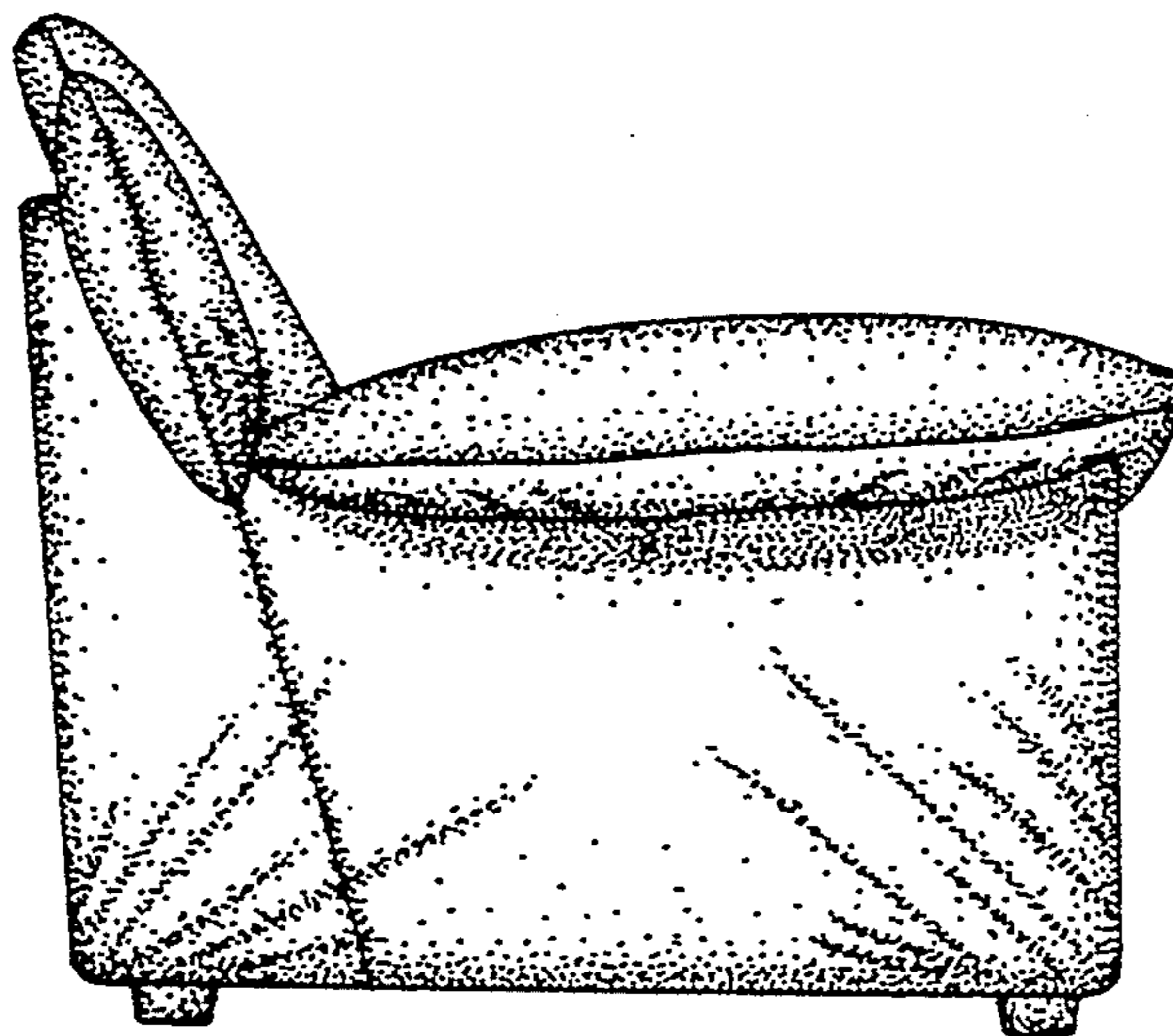


FIG-4

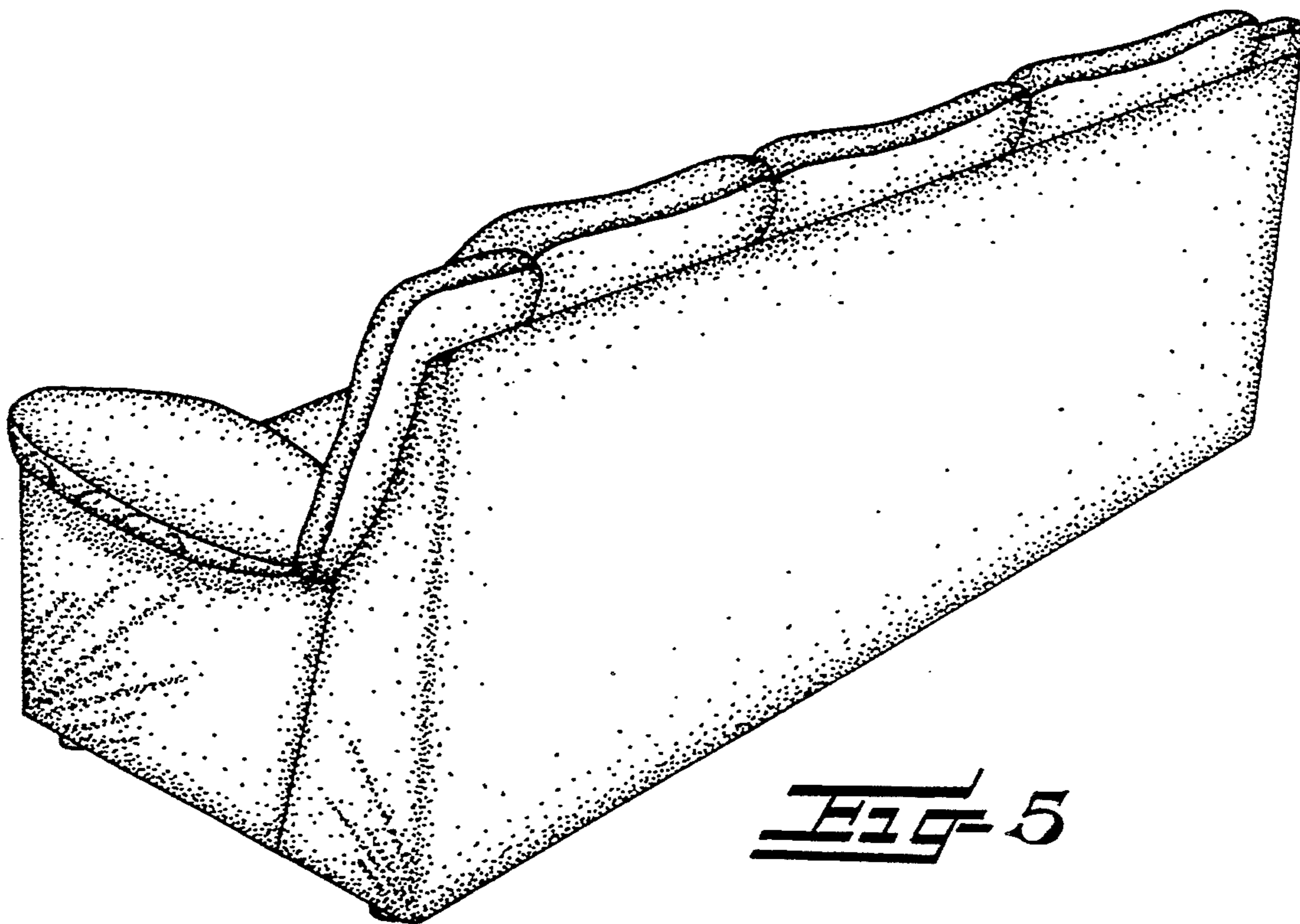


FIG-5

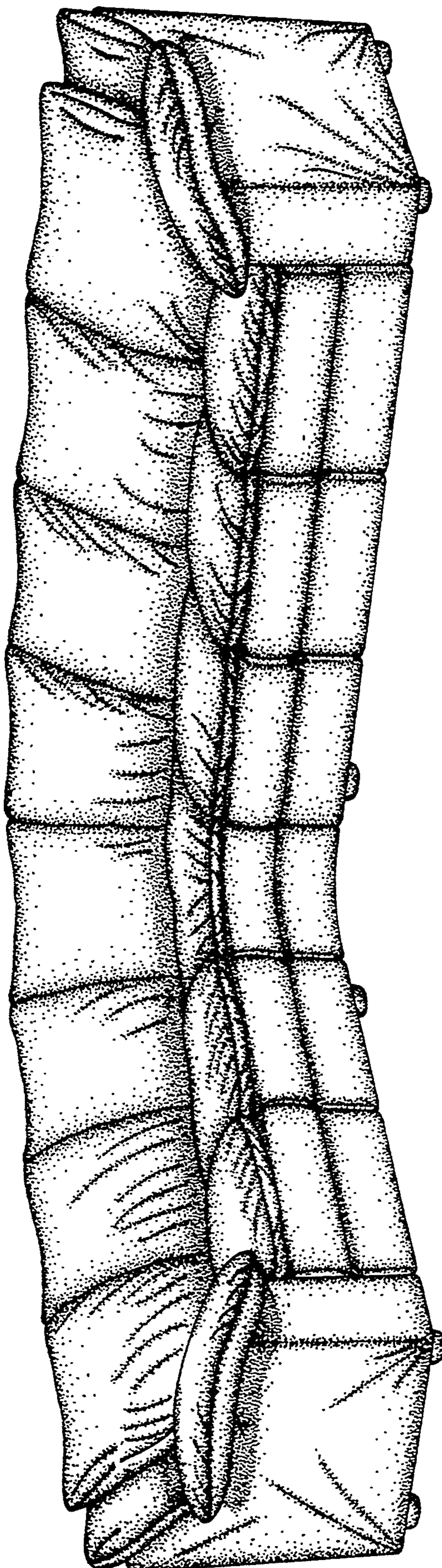
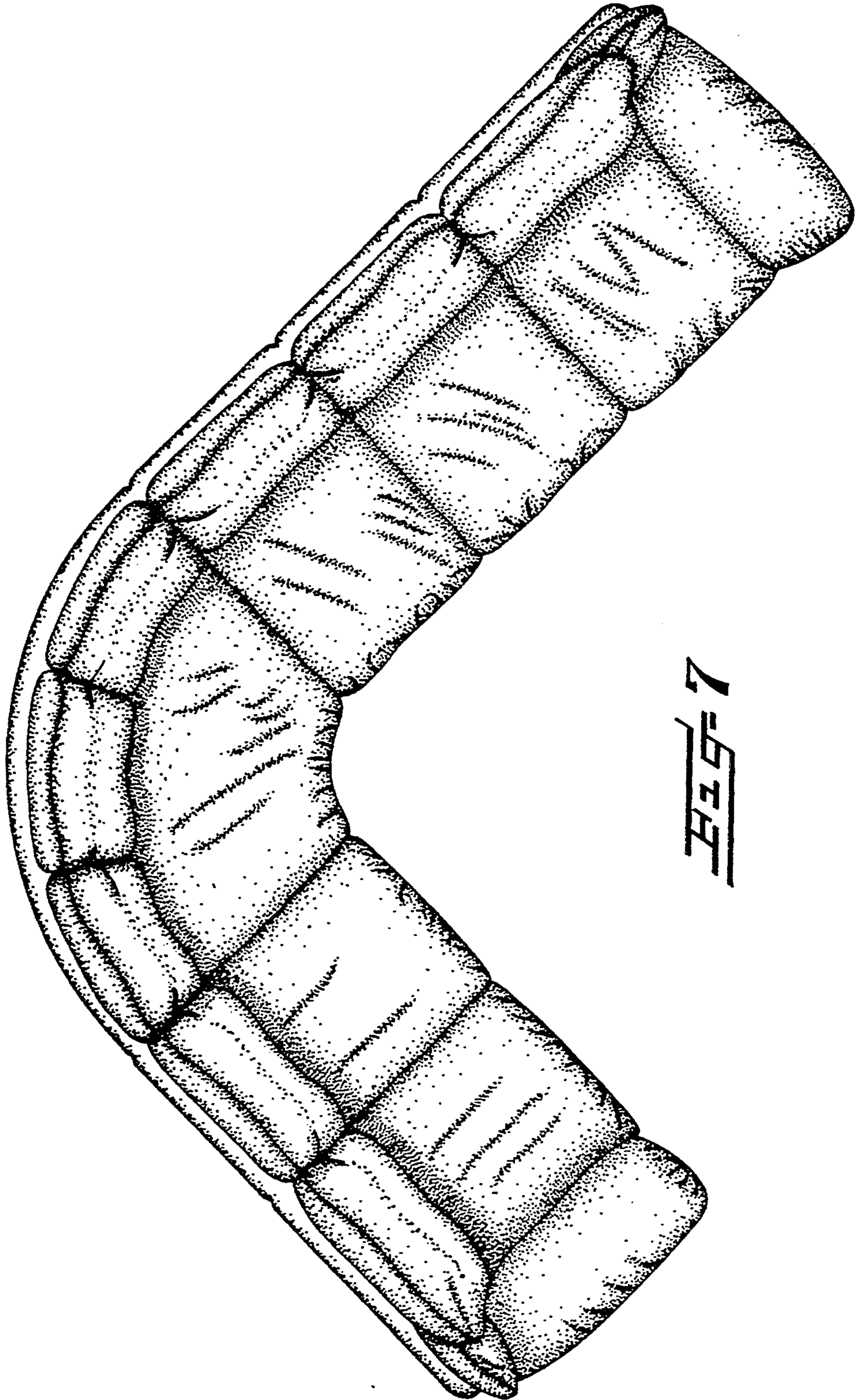


FIG. 6



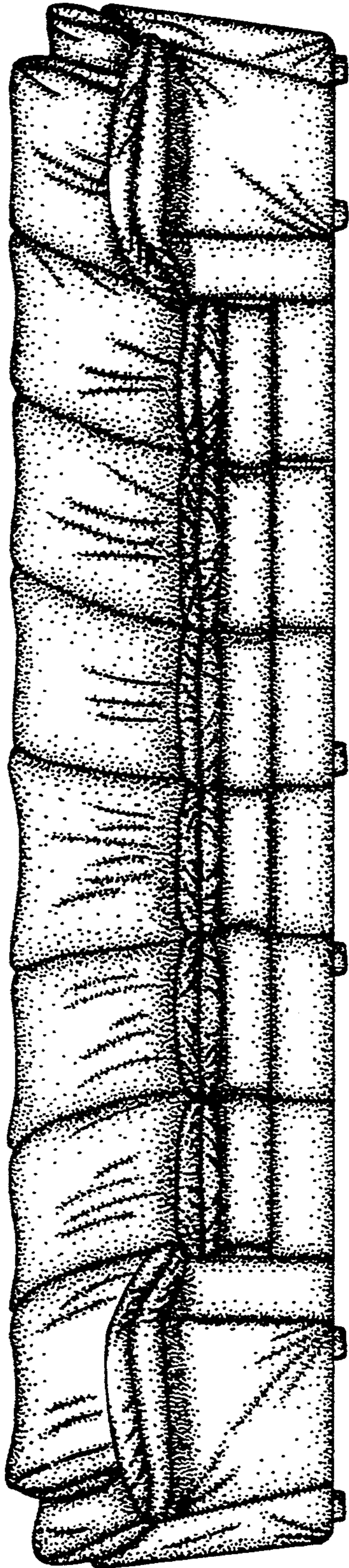


FIG-8

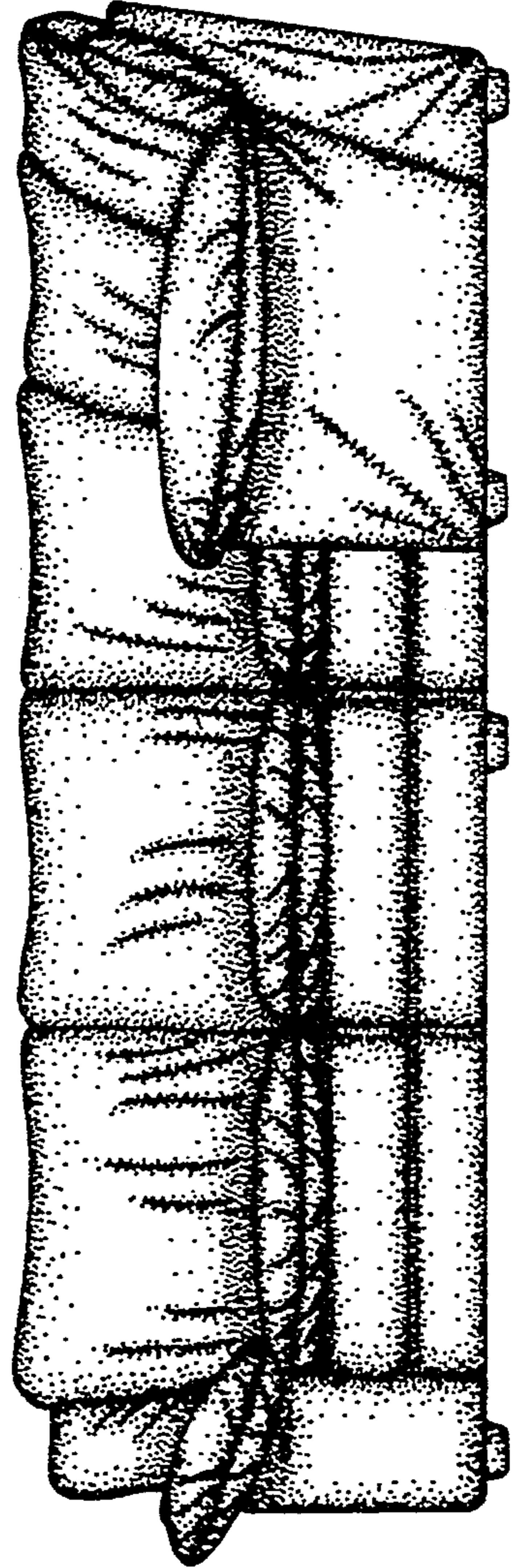
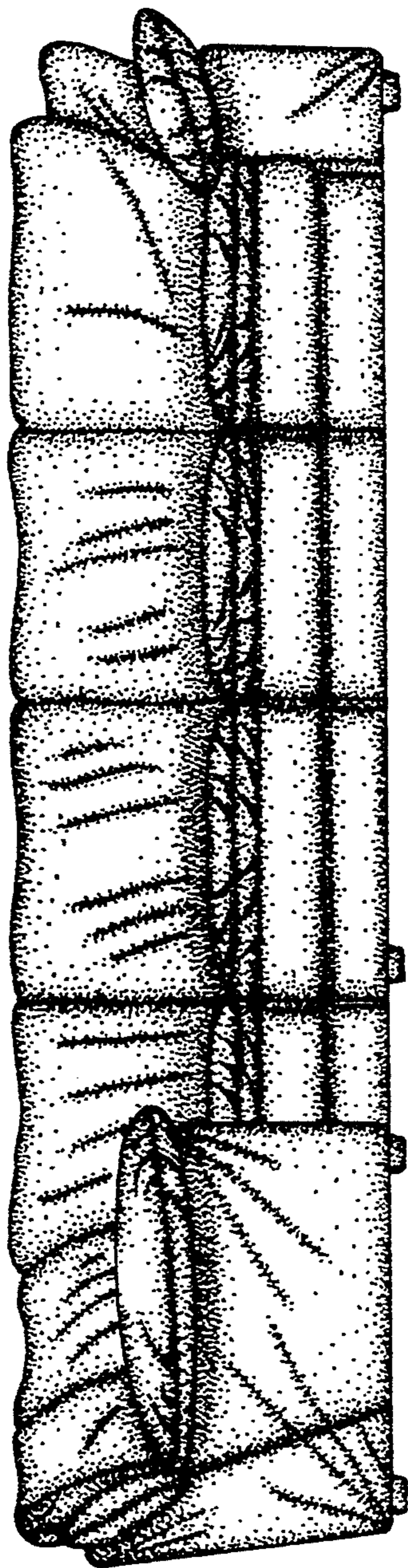
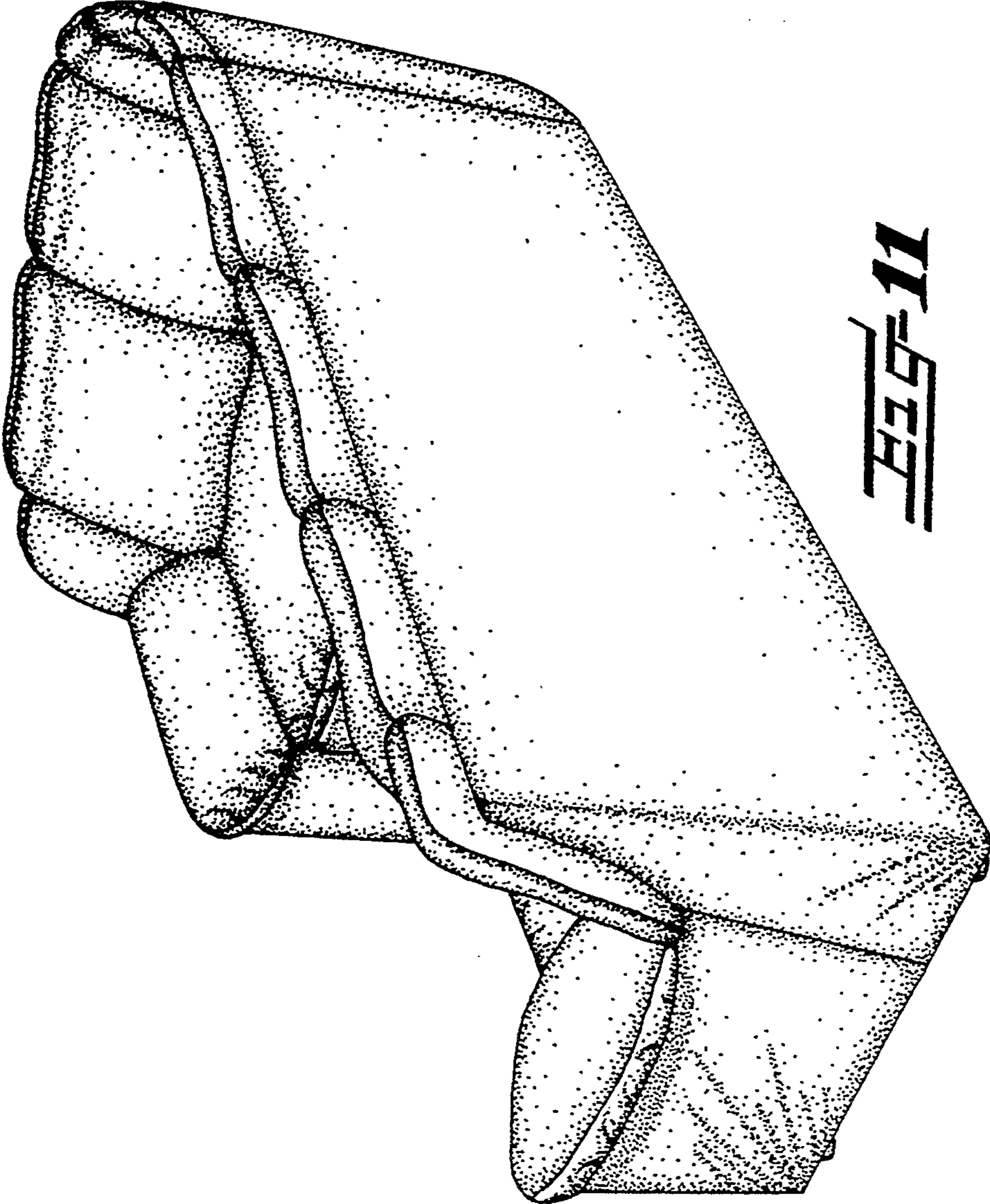


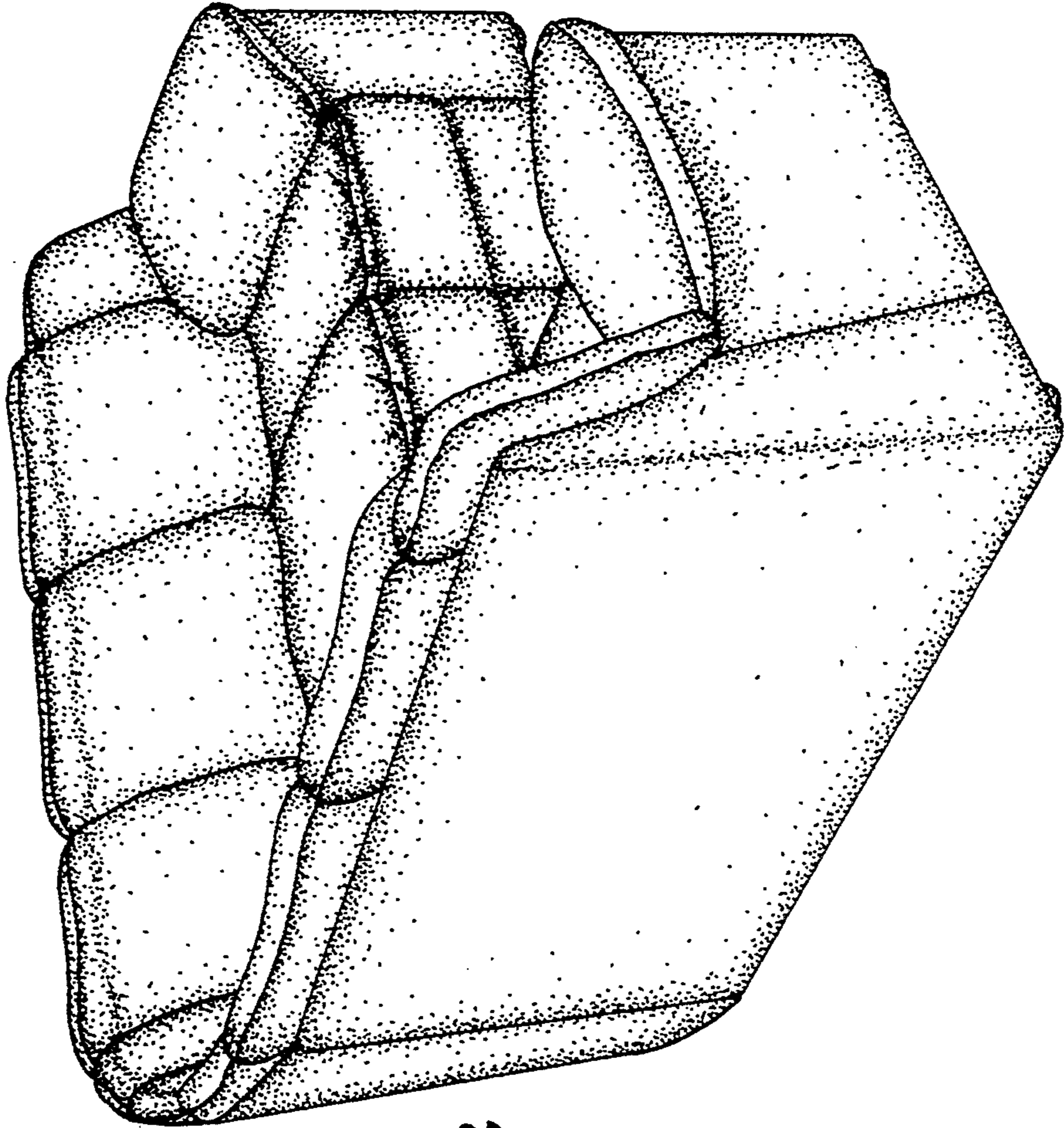
FIG-9



**FIG-10**







**FIG. 12**