



US00D361907S

# United States Patent [19]

[11] Patent Number: **Des. 361,907**

Arthur, Jr.

[45] Date of Patent: **\*\* Sep. 5, 1995**

[54] CHAIR

### OTHER PUBLICATIONS

[76] Inventor: **James R. Arthur, Jr.**, 22802 Via Orvieto, Monarch Beach, Calif. 92629

Thinline, p. 13, Chair #2865-30 at top left. Abitar Identikit Chair Book May 1995, pp. 12-13, Chair shown on p. 13.

[\*\*] Term: **14 Years**

*Primary Examiner*—Alan P. Douglas  
*Assistant Examiner*—Gary D. Watson  
*Attorney, Agent, or Firm*—Pollock, Vande Sande & Priddy

[21] Appl. No.: **11,824**

### [57] CLAIM

[22] Filed: **Aug. 13, 1993**

The ornamental design for a chair, as shown and described.

[52] U.S. Cl. .... **D6/376; D6/380**

[58] Field of Search ..... D6/334, 374, 376, 379, D6/380, 500, 501, 502; 297/411.44, 446

### DESCRIPTION

### [56] References Cited

#### U.S. PATENT DOCUMENTS

D. 156,764	1/1950	Primavera .....	D6/380
D. 176,618	1/1956	Kranz .....	D6/380
D. 284,815	7/1986	Shaw et al. ....	D6/376
D. 335,778	5/1993	Hess .....	D6/376
2,437,304	3/1948	Molla .....	297/411.44

FIG. 1 is a perspective view of the preferred embodiment of the new design;  
FIG. 2 is a front view of the embodiment of FIG. 1;  
FIG. 3 is a top view of the embodiment of FIG. 1;  
FIG. 4 is a side view of the embodiment of FIG. 1;  
FIG. 5 is a bottom view of the embodiment of FIG. 1;  
and,  
FIG. 6 is a back view of the embodiment of FIG. 1.



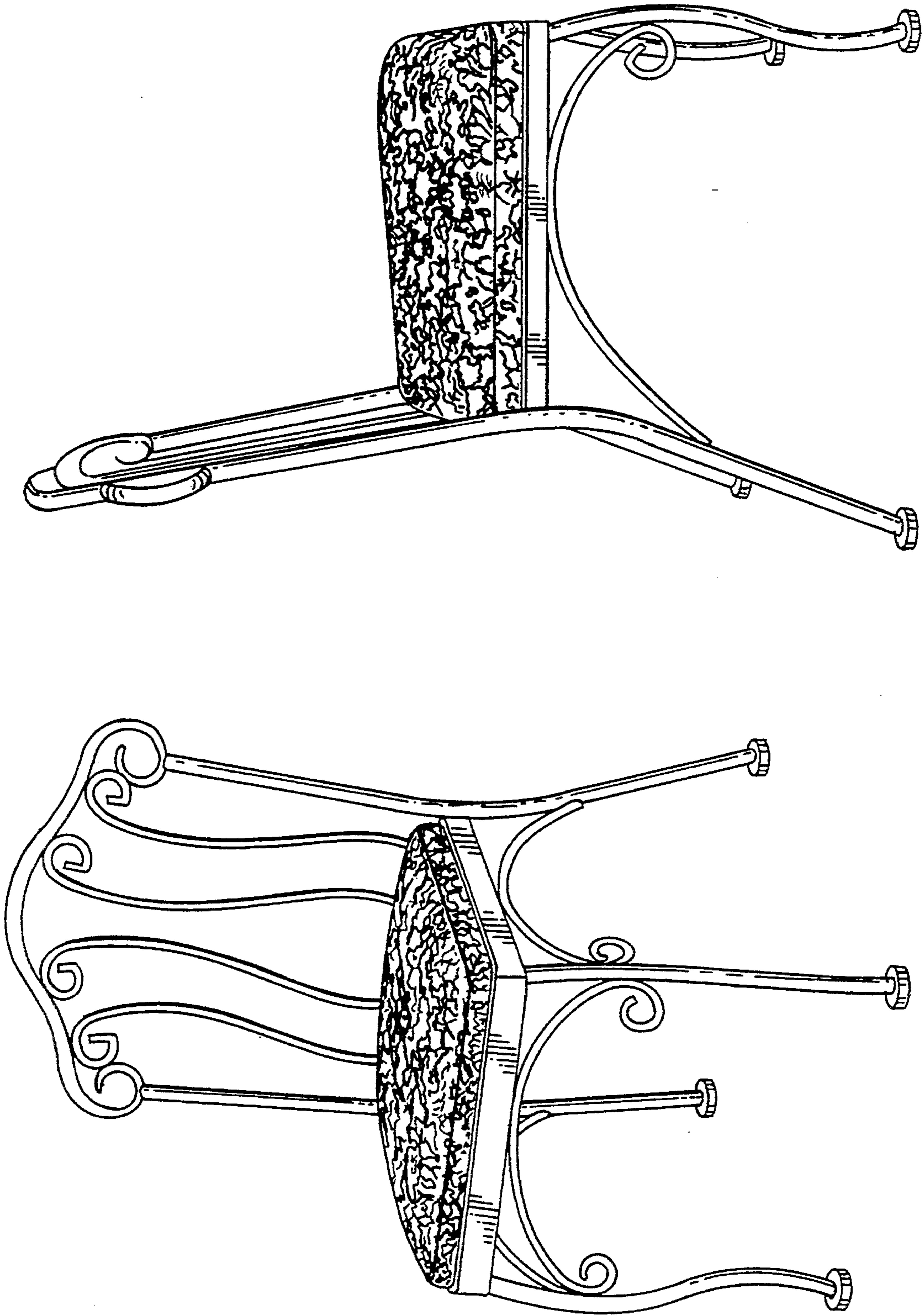


FIG. 4

FIG. 1

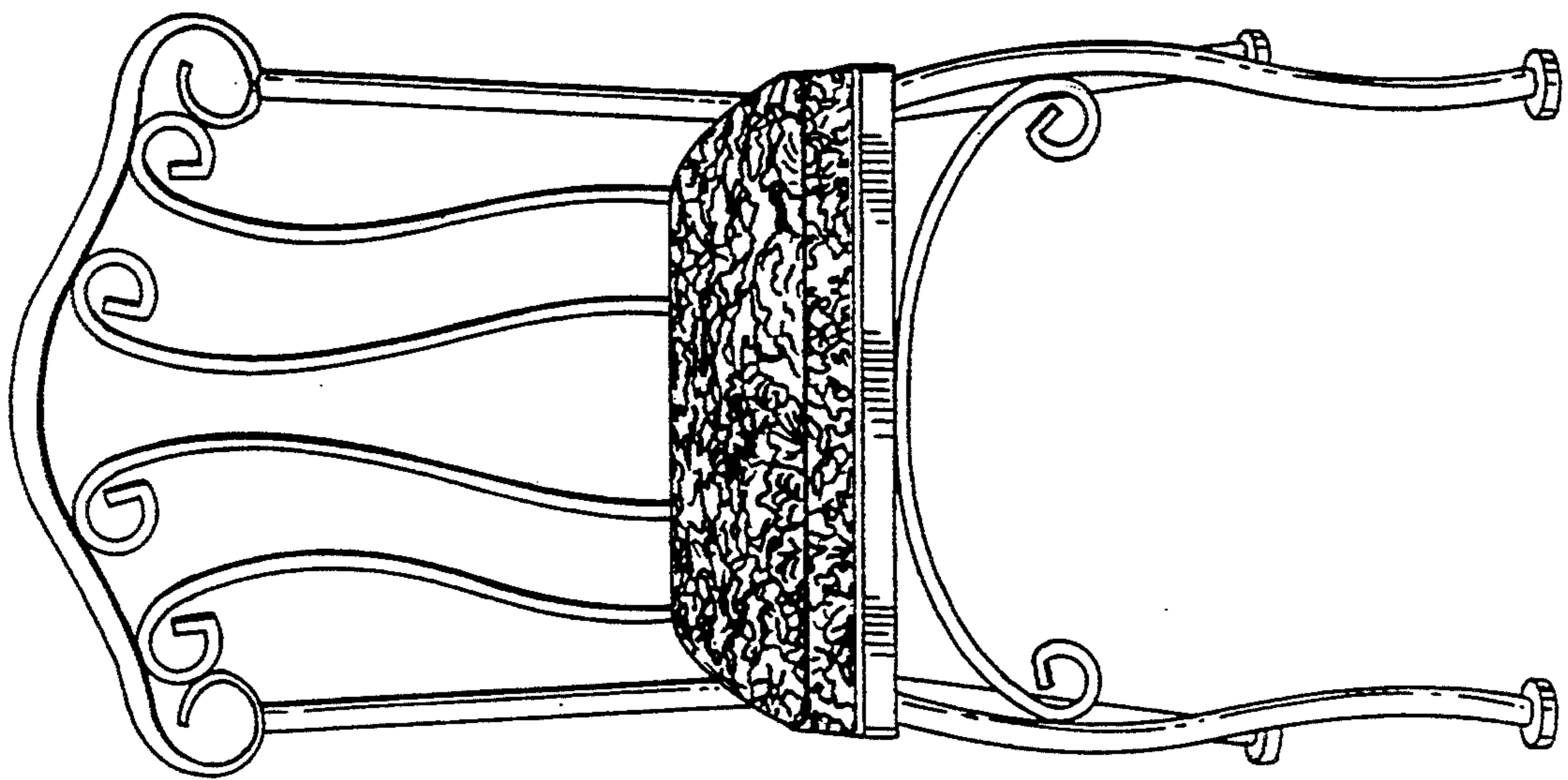


FIG. 2

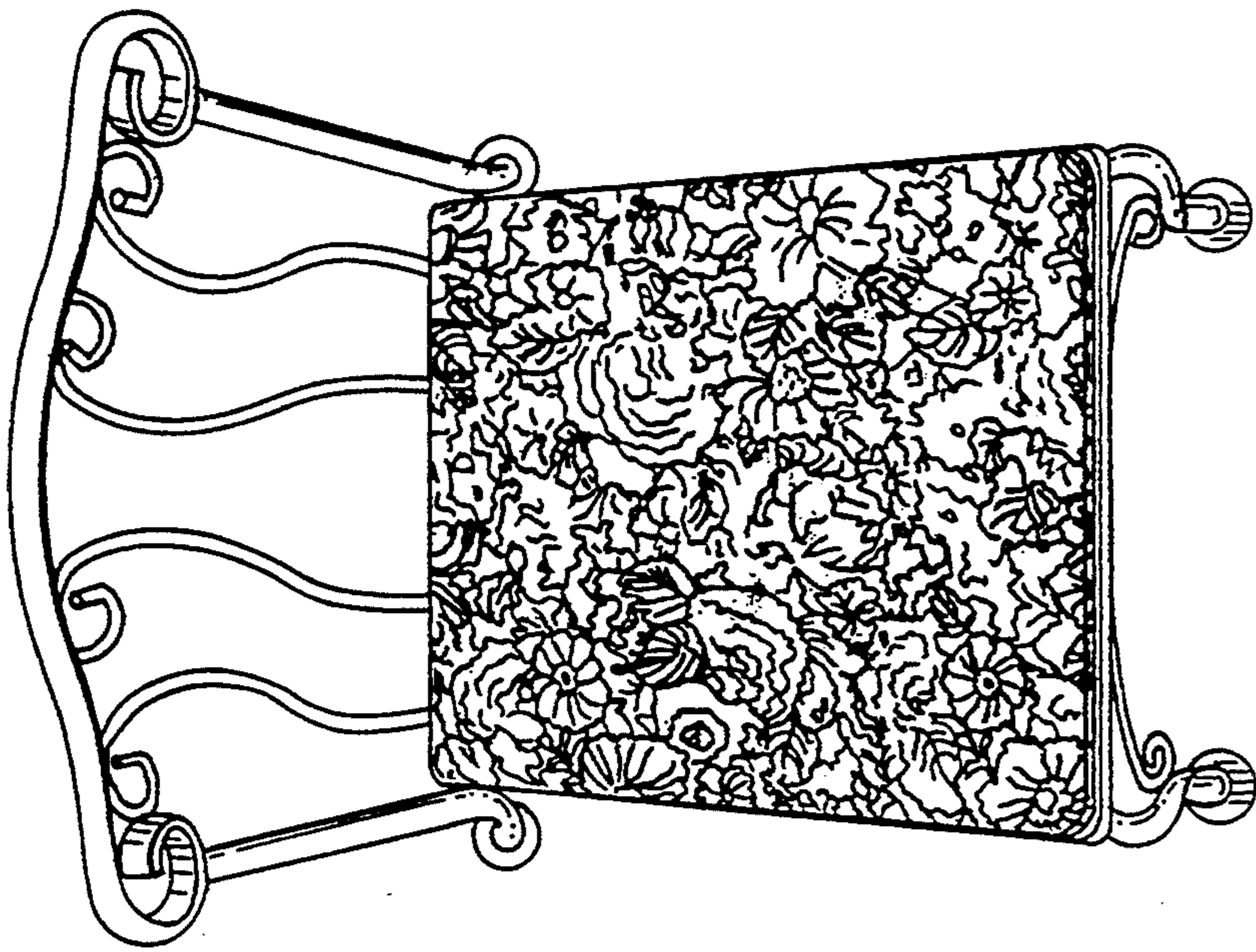


FIG. 3

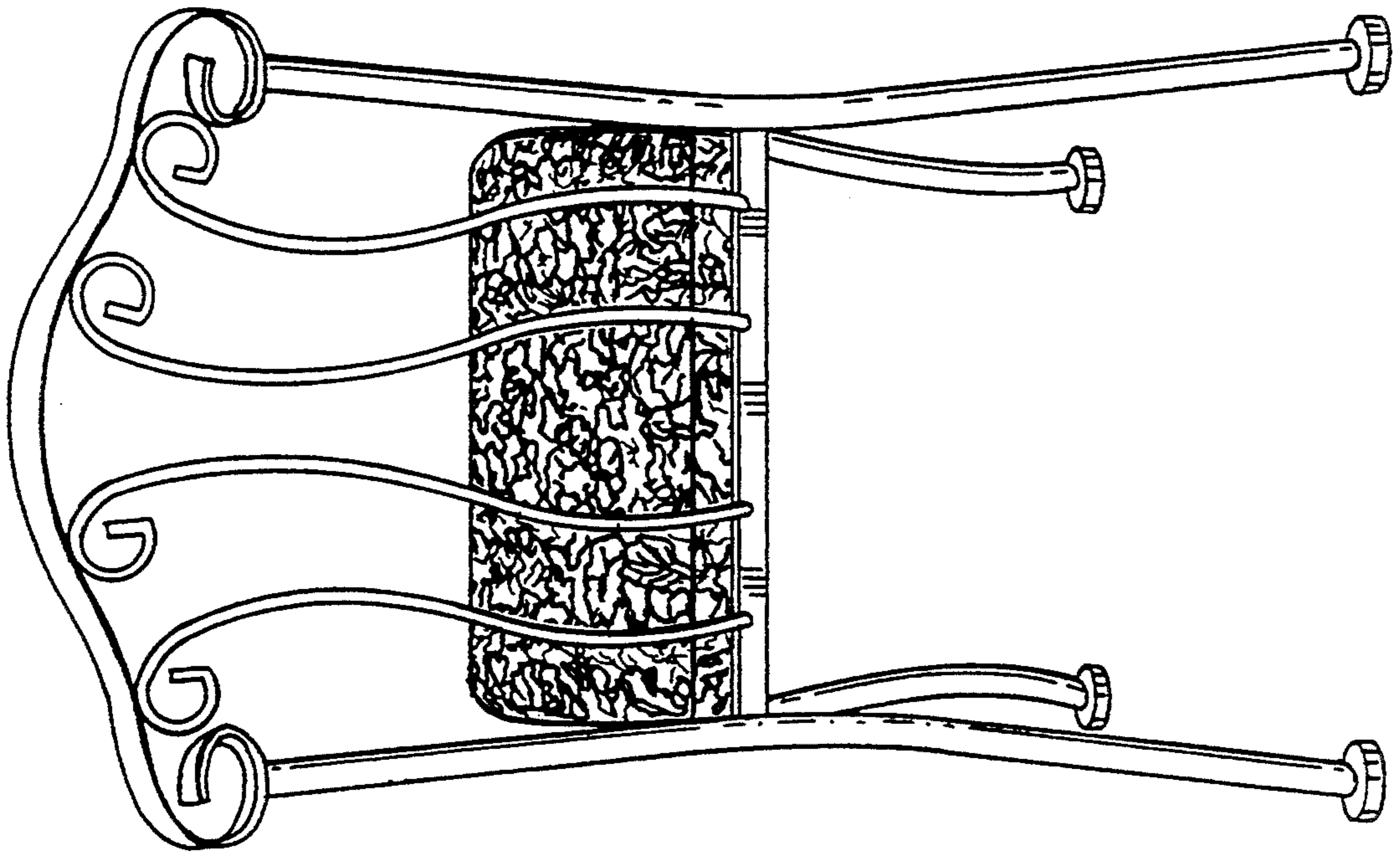


FIG. 6

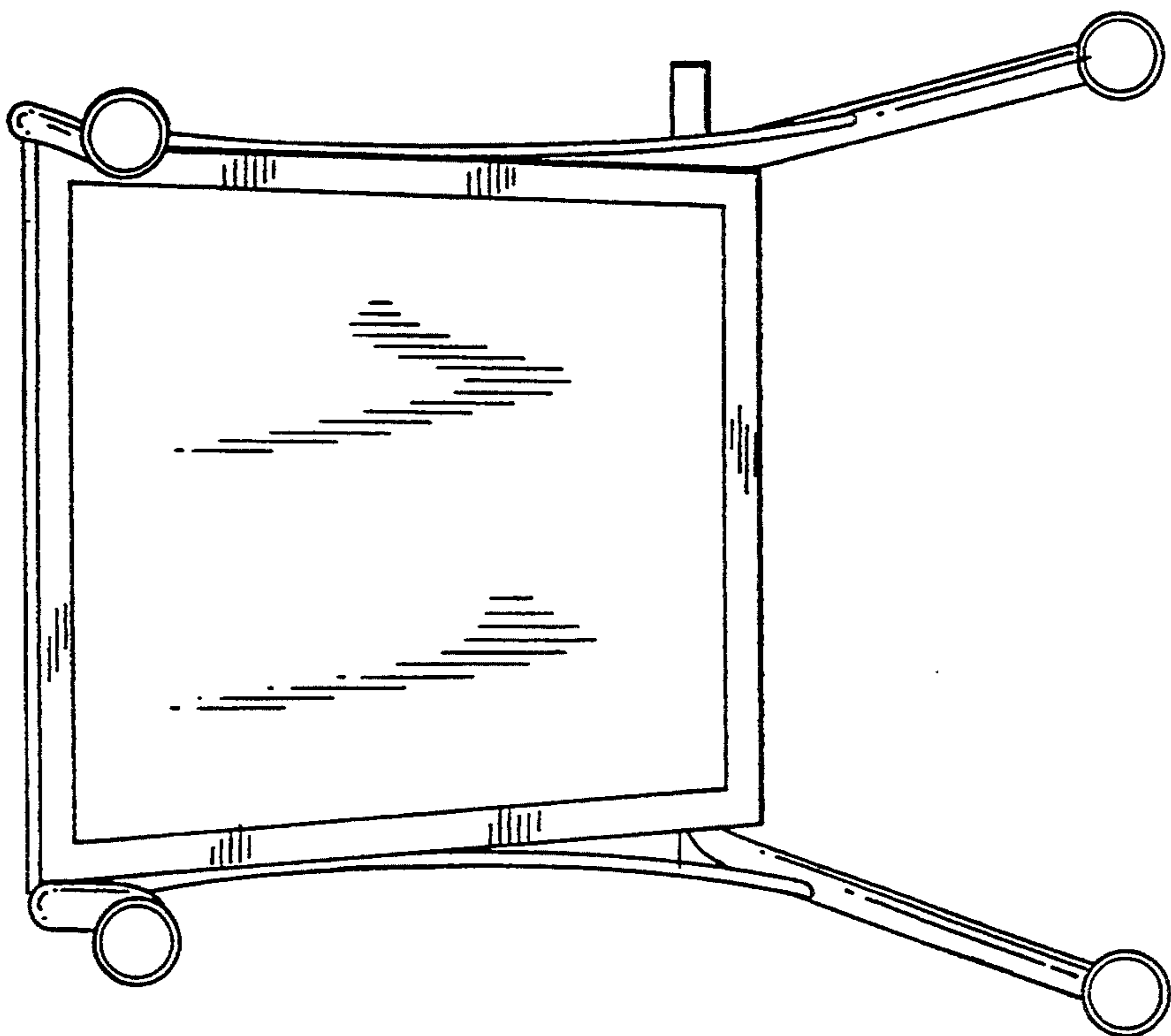


FIG. 5