



US00D361902S

United States Patent [19]

[11] Patent Number: **Des. 361,902**

VanSkiver

[45] Date of Patent: **** Sep. 5, 1995**

[54] CHAIR

D. 335,972 6/1993 Lamalle D6/379

[75] Inventor: **Ralph VanSkiver**, Arlington, Tex.

D. 336,174 6/1993 Lamalle D6/379

D. 338,347 8/1993 Hubert D6/370

[73] Assignee: **Doskocil Manufacturing Company, Inc.**, Arlington, Tex.

OTHER PUBLICATIONS

Evans catalog, p. 6, Rubbermaid chair at bottom left.

[**] Term: **14 Years**

Primary Examiner—Alan P. Douglas

Assistant Examiner—Gary D. Watson

[21] Appl. No.: **27,018**

Attorney, Agent, or Firm—Andrew J. Dillon

[22] Filed: **Aug. 11, 1994**

[52] U.S. Cl. **D6/370; D6/379**

[58] Field of Search **D6/334, 369, 370, 374, D6/375, 379, 380, 500, 501, 502; 297/239, 411.42, 445, 446, DIG. 2**

[57] CLAIM

The ornamental design for a chair, as shown and described.

[56] References Cited

DESCRIPTION

U.S. PATENT DOCUMENTS

D. 234,240	2/1975	Noda et al.	D6/379
D. 274,770	7/1984	Massonnet	D6/375
D. 303,736	10/1989	Grosfillex	D6/379
D. 317,088	5/1991	Grosfillex	D6/379
D. 328,827	8/1992	Grosfillex	D6/370
D. 329,339	9/1992	Grosfillex	D6/370
D. 330,291	10/1992	Grosfillex	D6/370
D. 331,323	12/1992	Grosfillex	D6/370
D. 331,324	12/1992	Grosfillex	D6/375
D. 333,926	3/1993	Hubert	D6/374

FIG. 1 is a perspective view of the chair of the present invention;

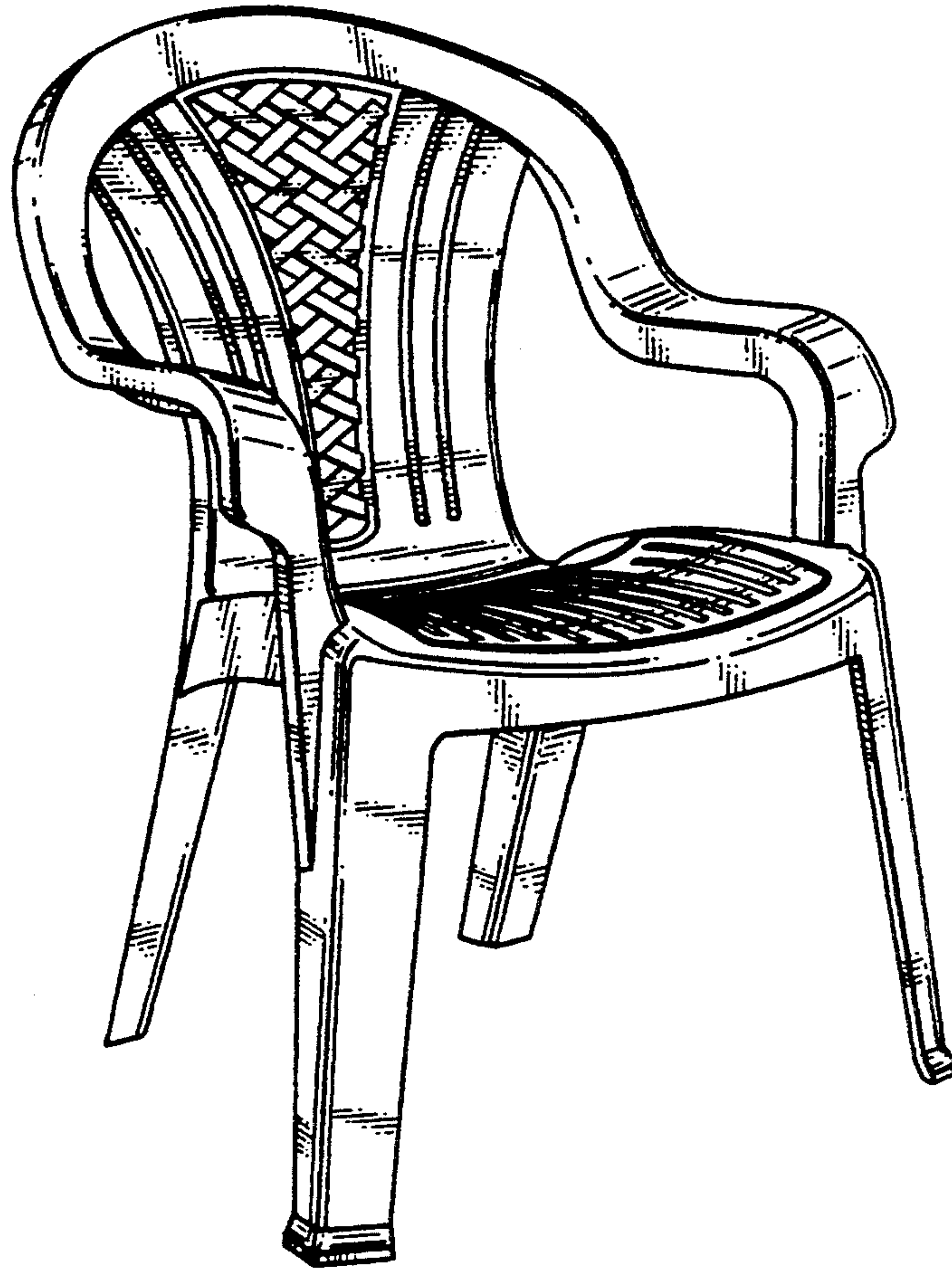
FIG. 2 is a top view of the chair of the present invention;

FIG. 3 is a front view of the chair of the present invention;

FIG. 4 is a side view of the chair, the opposite side being a mirror image thereof of the present invention;

FIG. 5 is a back view of the chair of the present invention; and,

FIG. 6 is a bottom view of the chair of the present invention.



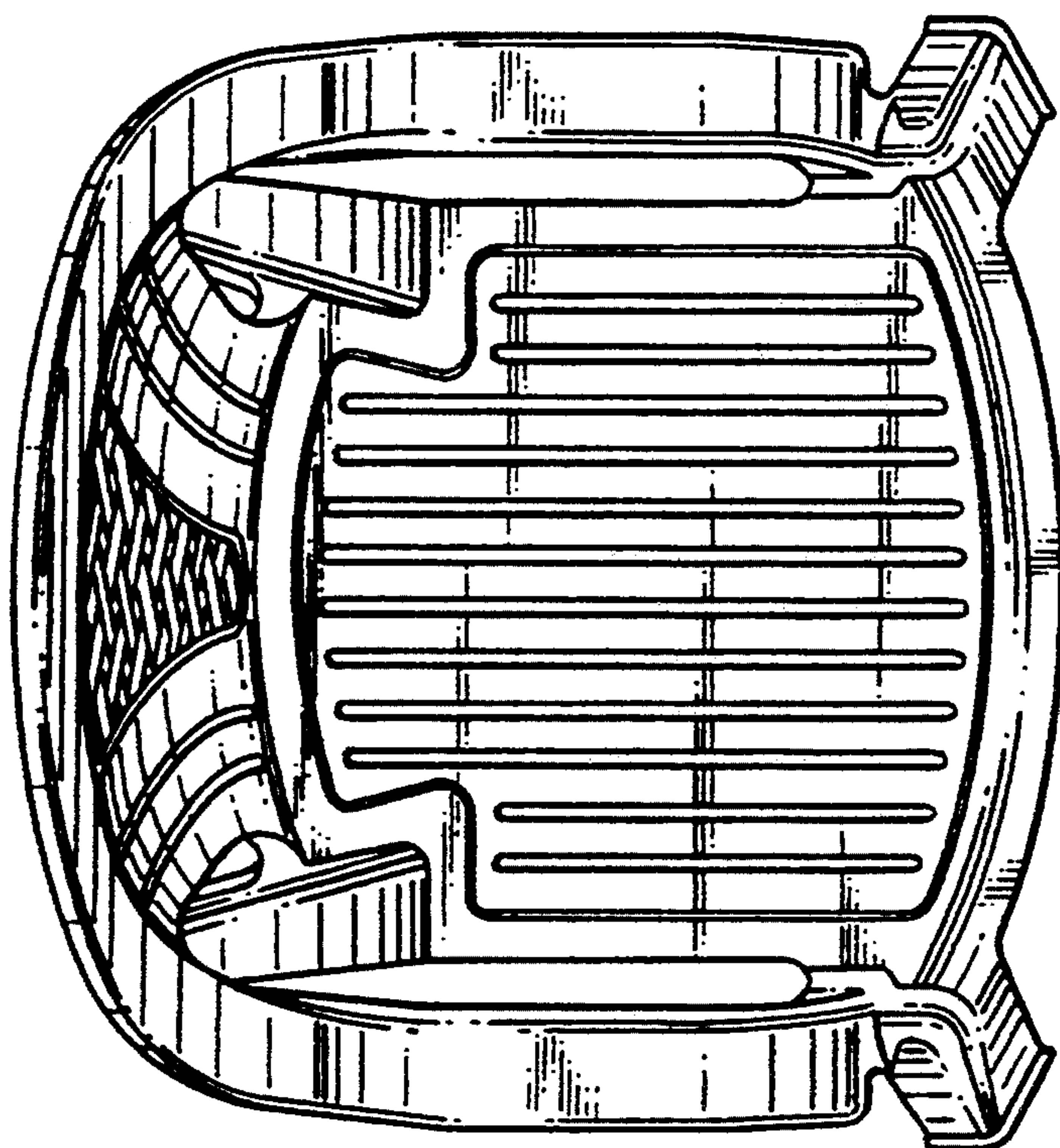


Fig. 2

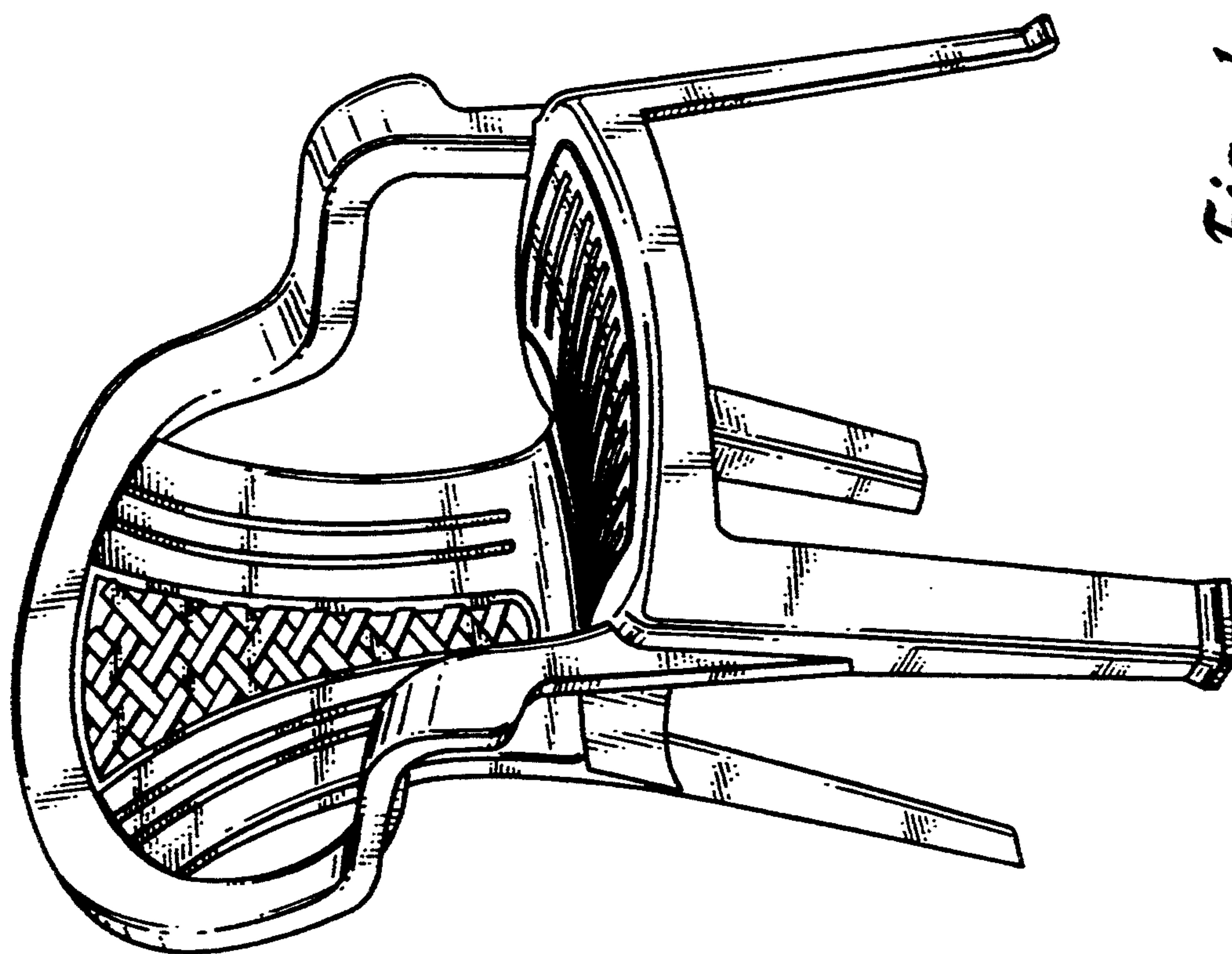


Fig. 1

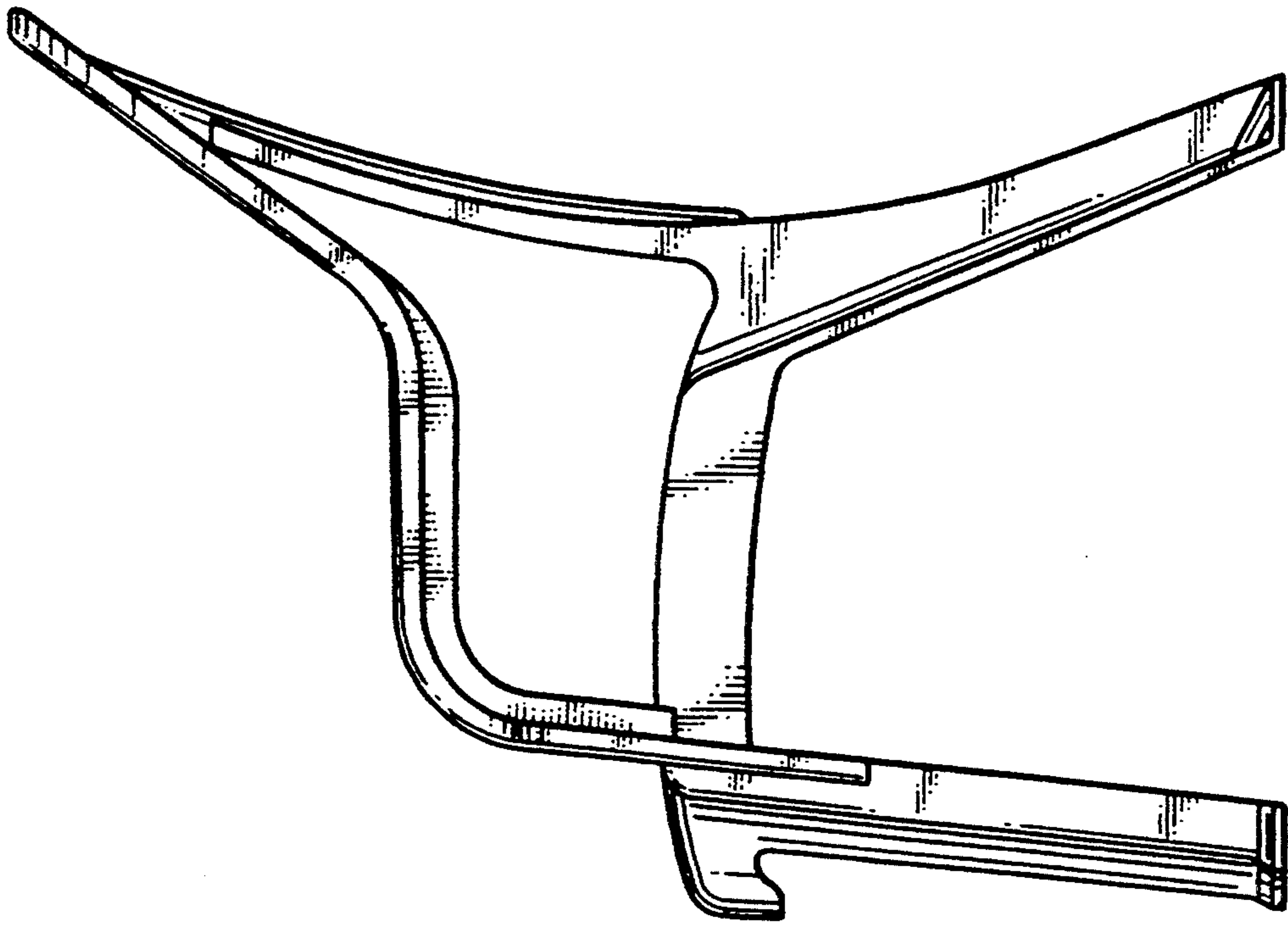


Fig. 4

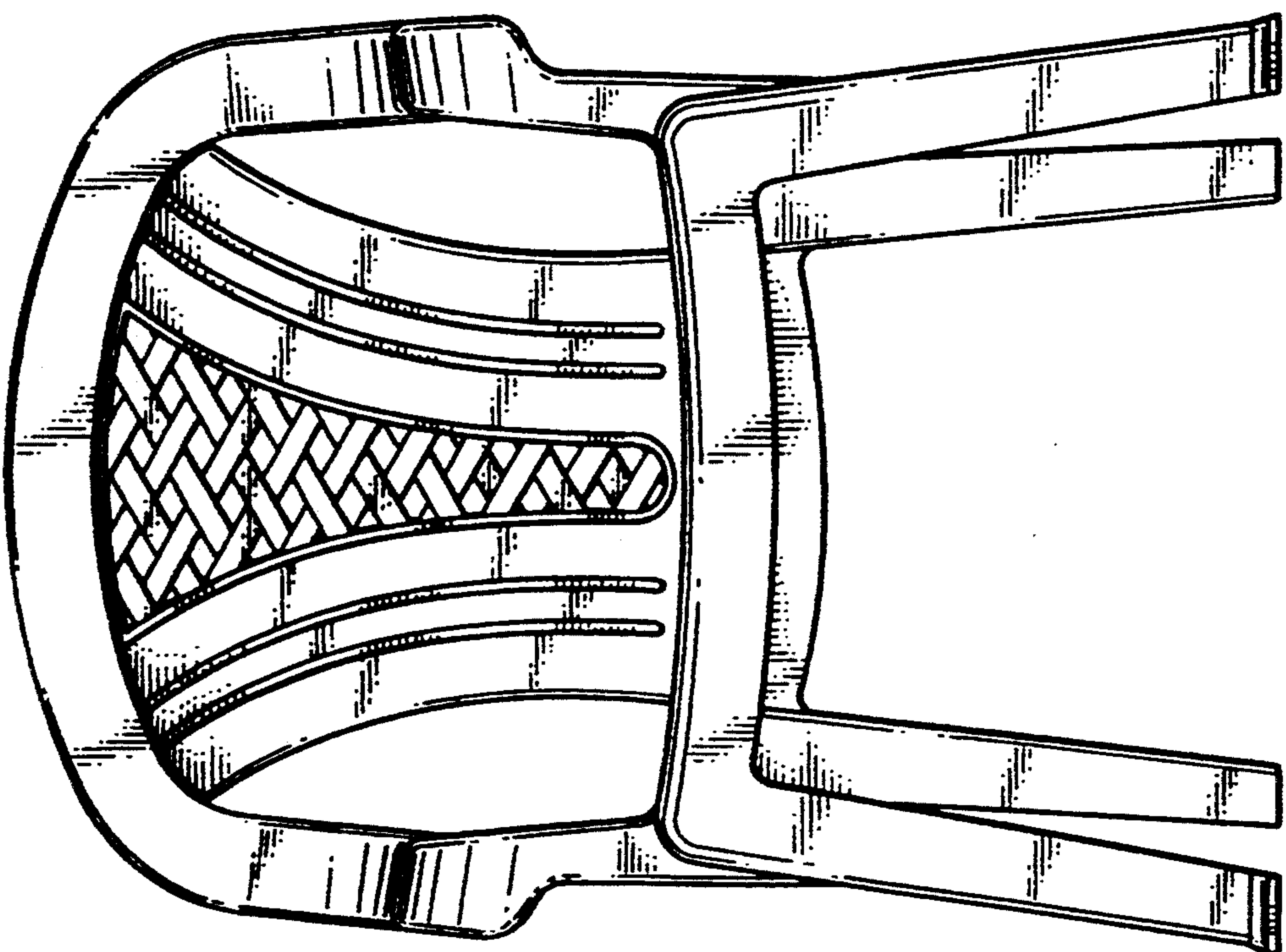


Fig. 3

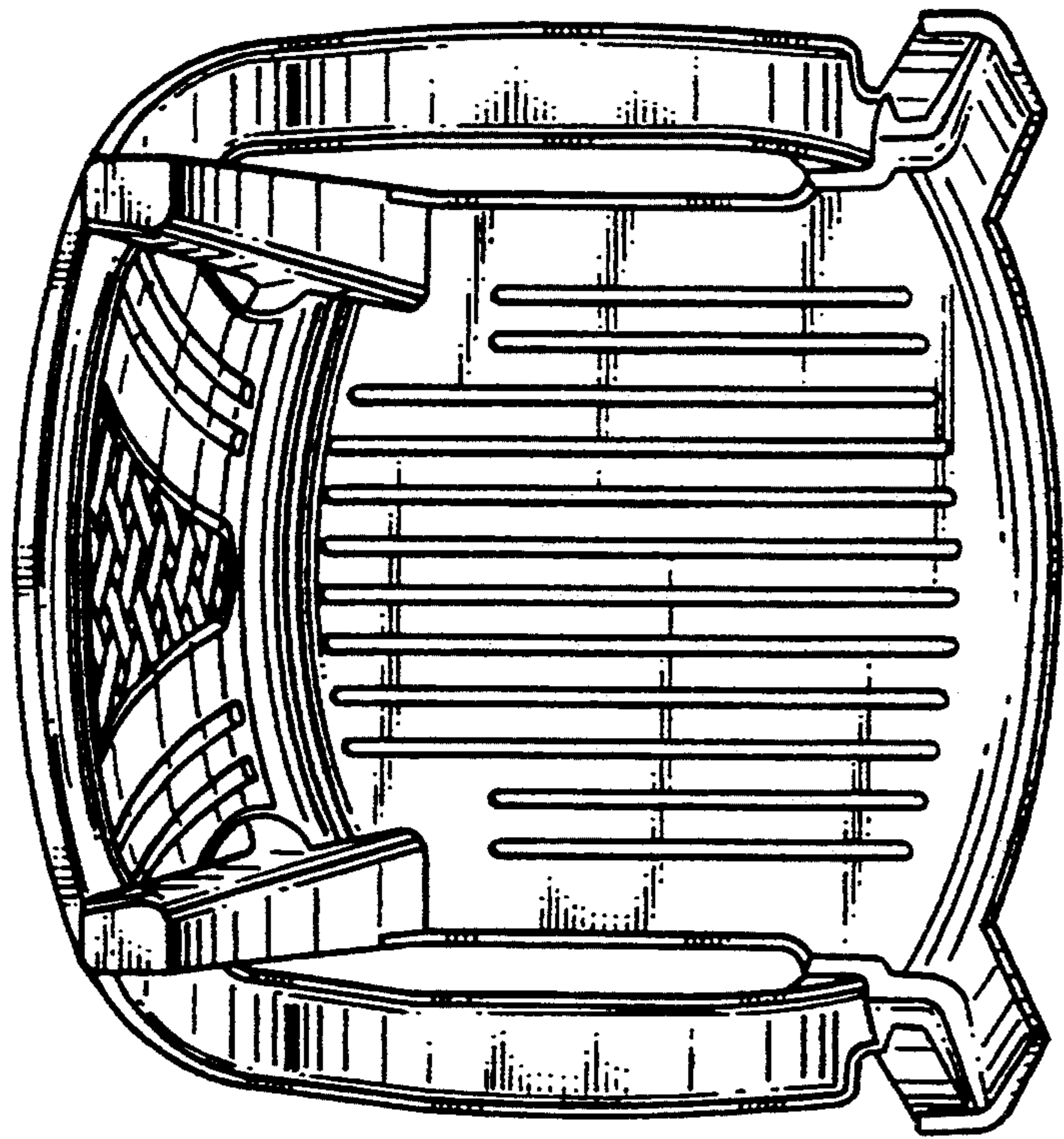


Fig. 6

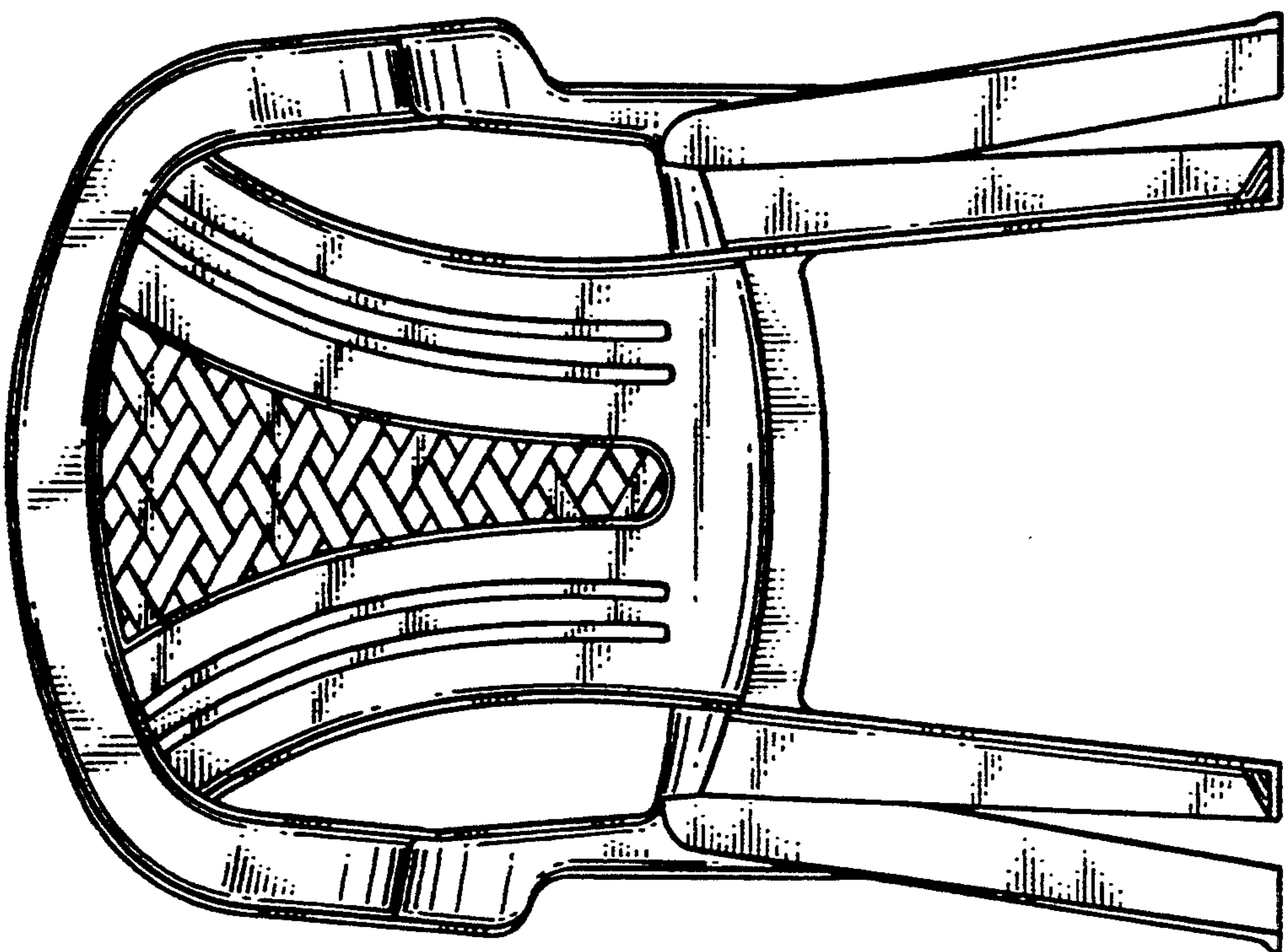


Fig. 5