



US00D361901S

United States Patent [19]

[11] Patent Number: **Des. 361,901**

Szekely

[45] Date of Patent: **** Sep. 5, 1995**

[54] BENCH

[75] Inventor: **Martin Szekely**, Paris, France

[73] Assignee: **J.C. Decaux**, France

[**] Term: **14 Years**

[21] Appl. No.: **16,495**

[22] Filed: **Dec. 17, 1993**

[30] **Foreign Application Priority Data**

Jun. 18, 1993 [FR] France 933 204

[52] U.S. Cl. **D6/370; D6/381**

[58] Field of Search D6/334, 335, 344, 349,
D6/370, 371, 372, 373, 374, 375, 379, 380, 381,
500, 501, 502; 297/232, 445

[56] **References Cited**

U.S. PATENT DOCUMENTS

- D. 48,329 12/1915 Severt D6/370 X
- D. 61,891 2/1923 Cohee D6/370
- D. 227,205 6/1973 Moeckl D6/375 X

- D. 239,345 3/1976 Keller D6/375
- D. 263,353 3/1982 Beals D6/370
- D. 270,500 9/1983 Harper, Jr. et al. D6/344
- D. 339,925 10/1993 Farré-Escofet Paris D6/375 X
- D. 341,267 11/1993 Caldwell D6/381
- 763,617 6/1904 Lennon D6/349 X

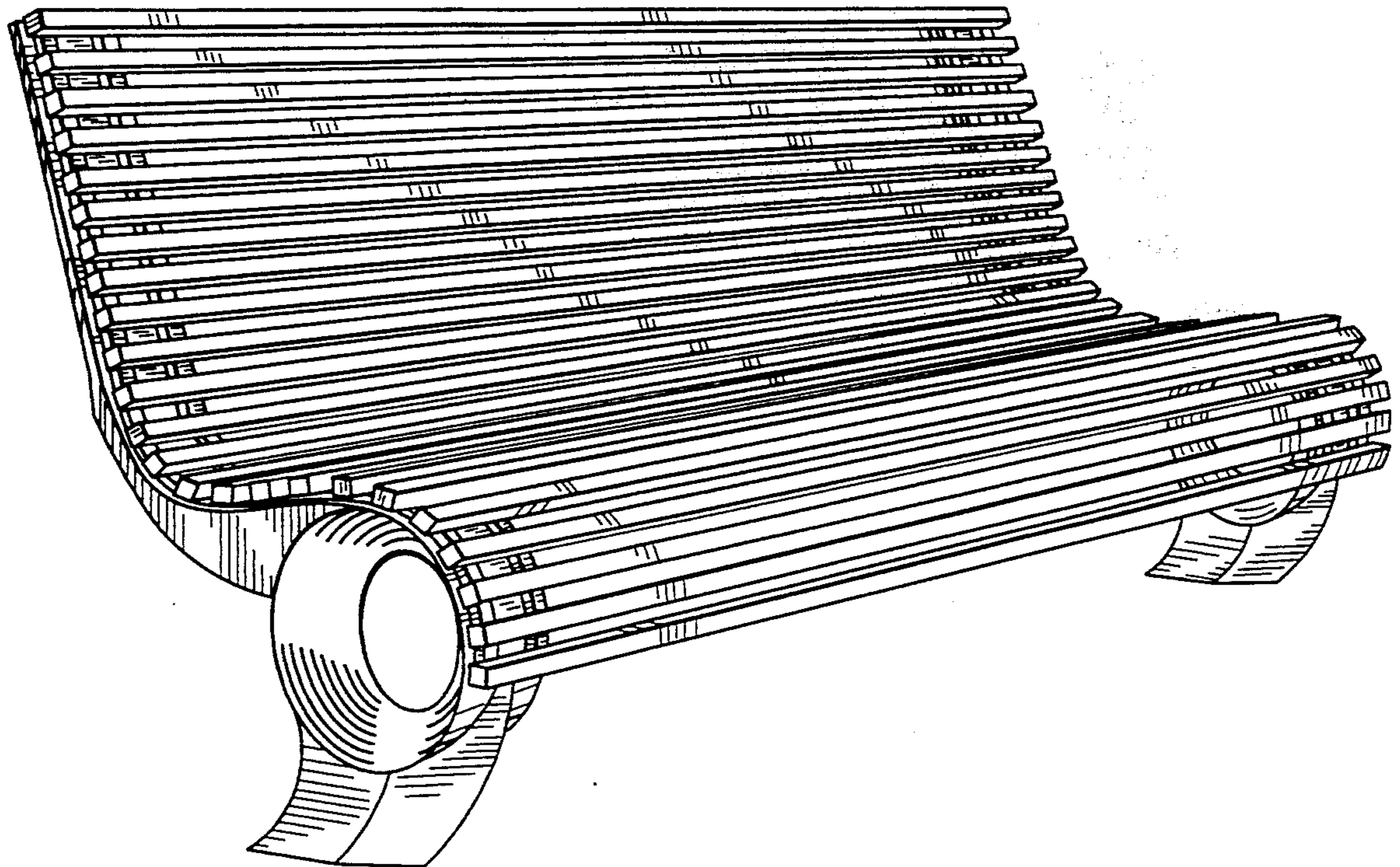
Primary Examiner—Alan P. Douglas
Assistant Examiner—Gary D. Watson
Attorney, Agent, or Firm—Andrus, Scales, Starke & Sawall

[57] **CLAIM**

The ornamental design for a bench, as shown and described.

DESCRIPTION

FIG. 1 is a side view of a bench incorporating the design sought to be patented, the view from the other side of the bench being a mirror image thereof; FIG. 2 is a front view of the bench; FIG. 3 is a top view of the bench; FIG. 4 is a bottom view of the bench; and, FIG. 5 is a perspective view of the bench.



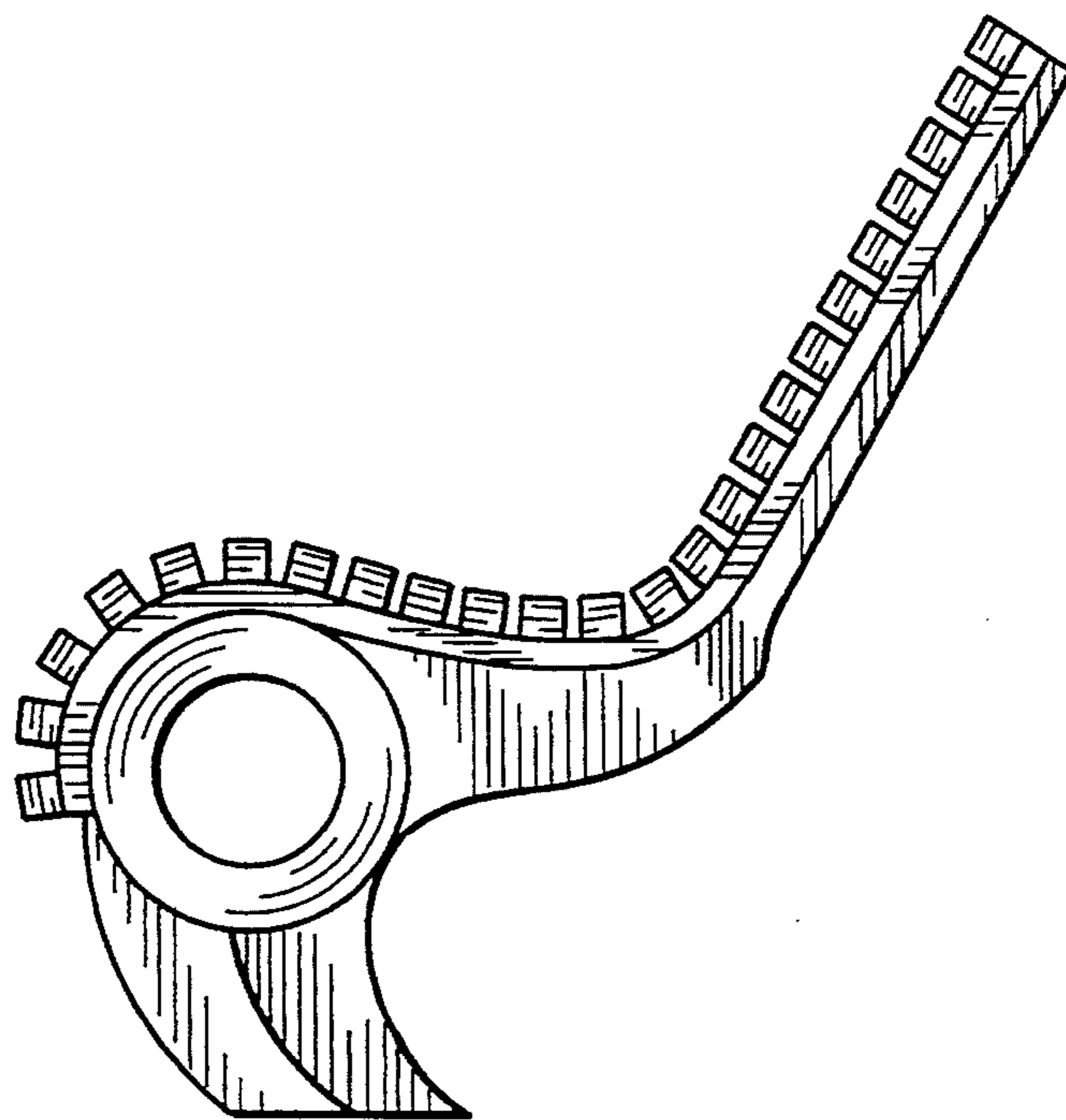


FIG. 1

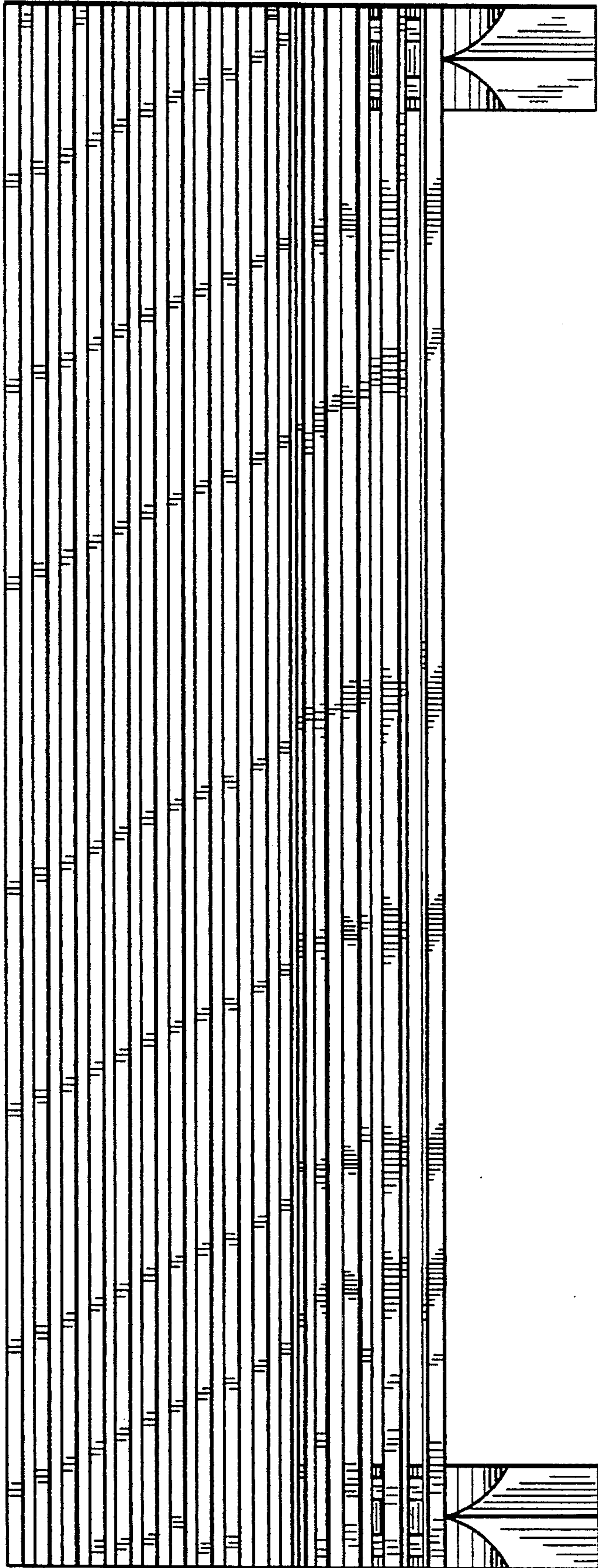


FIG. 2

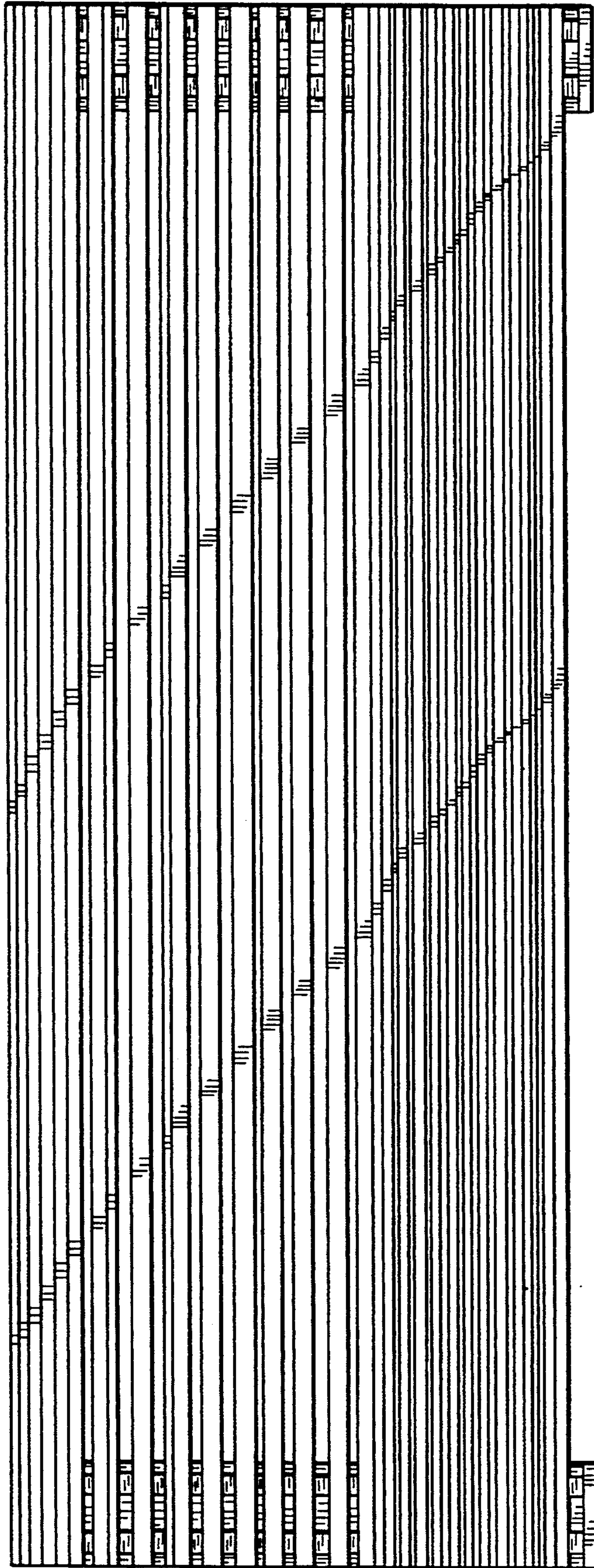


FIG. 3

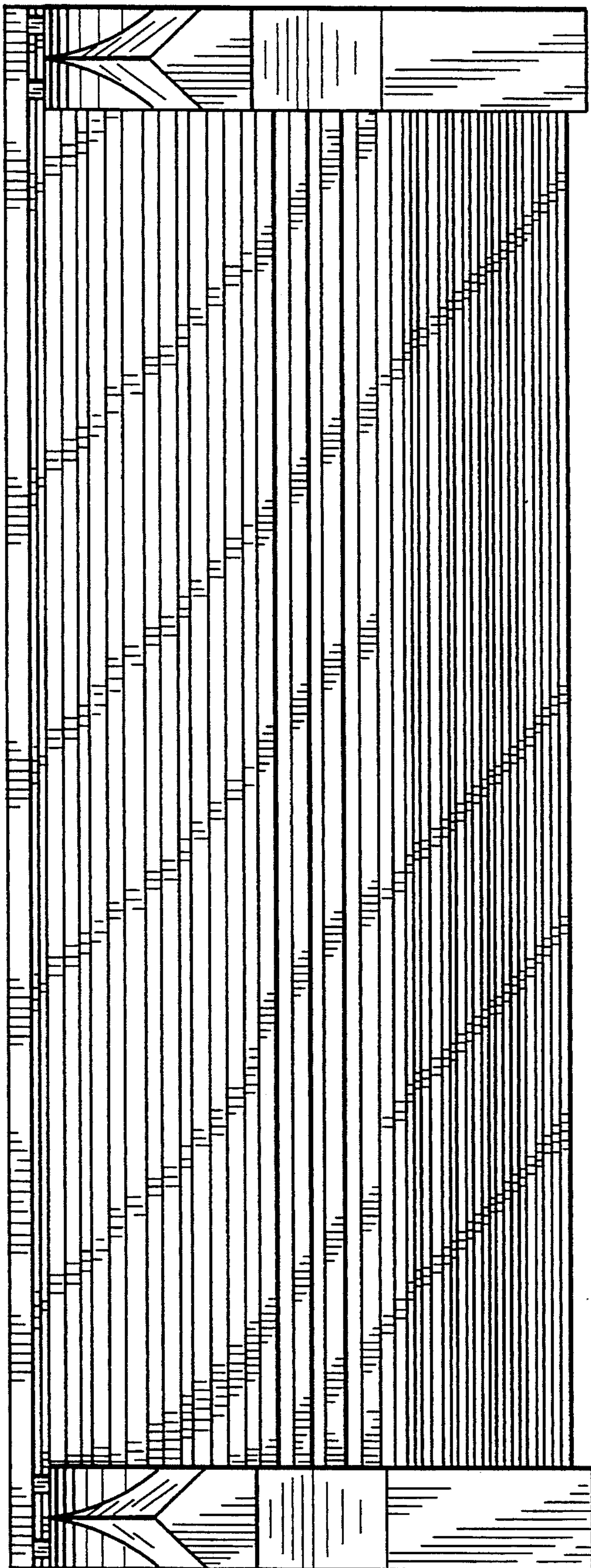


FIG. 4

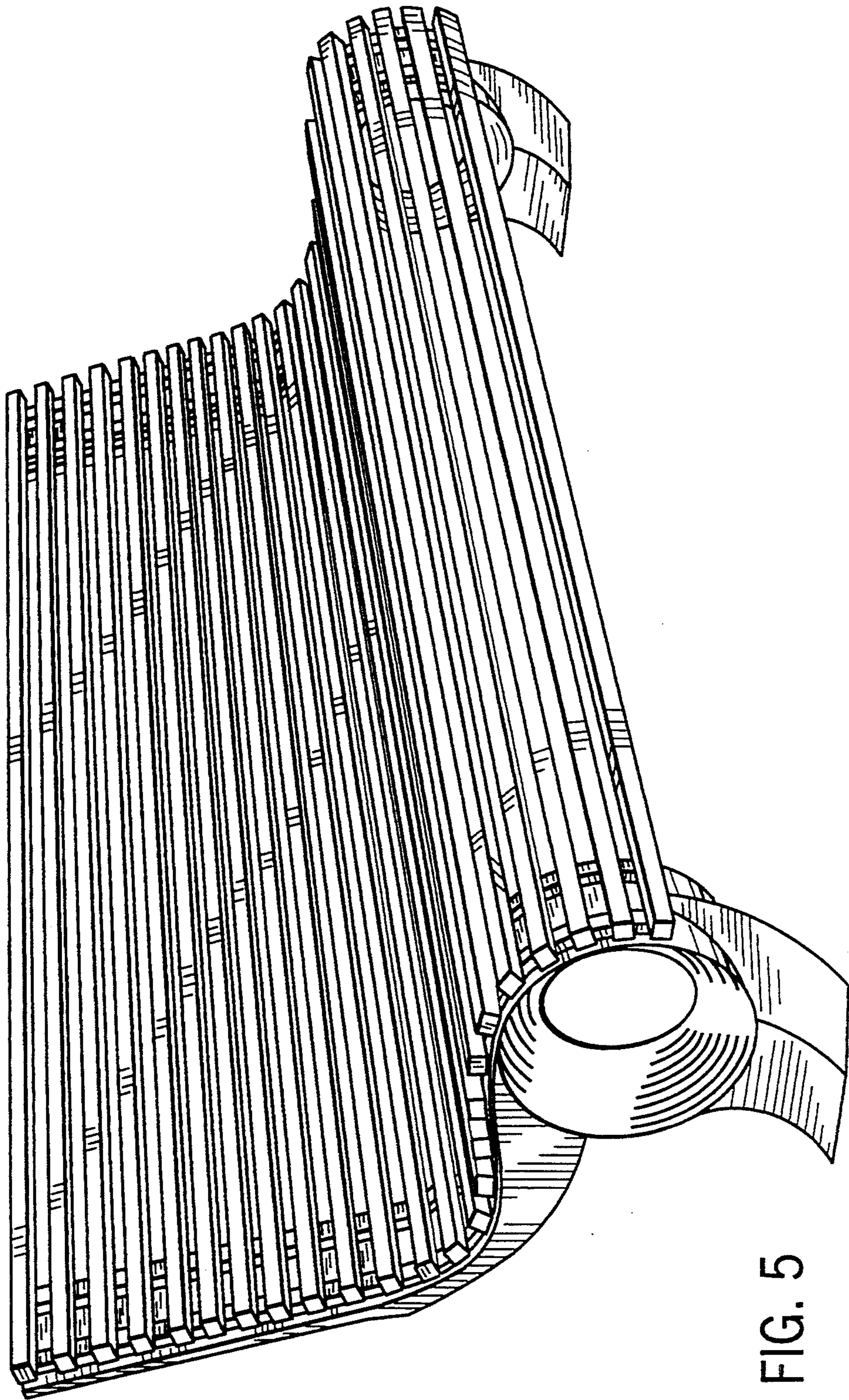


FIG. 5