



US00D361899S

United States Patent [19]

[11] Patent Number: **Des. 361,899**

Wolff

[45] Date of Patent: **** Sep. 5, 1995**

[54] **STOOL**

[75] Inventor: **Stacy L. Wolff, Akron, Ohio**

[73] Assignee: **Rubbermaid Incorporated, Wooster, Ohio**

[**] Term: **14 Years**

[21] Appl. No.: **17,702**

[22] Filed: **Jan. 13, 1994**

[52] U.S. Cl. **D6/349**

[58] Field of Search **D6/349, 355, 360, 406, D6/480, 484; 297/452.21, 461, 462, 452.29**

[56] **References Cited**

U.S. PATENT DOCUMENTS

D. 159,509	8/1950	Mars	D6/349
D. 171,677	3/1954	Adler	D33/14
D. 252,426	7/1979	Brelsford	D6/34
D. 265,025	6/1982	Nichols et al.	D6/32
D. 271,256	11/1983	McClelland	D6/32
D. 284,529	7/1986	Reed	D6/353
D. 293,743	1/1988	Hoyt	D6/360
D. 307,800	5/1990	Hradisky	D25/65
D. 317,537	6/1991	Pino	D6/484
D. 317,839	7/1991	Pino	D6/484
D. 319,358	8/1991	Giugiaro	D6/406
D. 330,462	10/1992	Szablak et al.	D6/350
D. 335,966	6/1993	Schwartzkopf	D6/350
2,727,564	12/1955	Gruber	155/150
4,485,892	12/1984	Maloney et al.	182/161
5,044,690	9/1991	Torrey	297/16

OTHER PUBLICATIONS

Sell sheet, kick-step stool; Cramer, Inc., 625 Adams Street, Kansas City, Kans. 66105. Publication date Oct., 1986.

P. 74, Multibox; Beylerian, address unknown. Publication date Jun., 1980.

P. 7, Euro stool; Dupol-Rubbermaid, GmbH, An der Trift 63, D-6072, Dreieich, West Germany. Publication date 1989.

P. 33, Step stools; Rubbermaid Commercial Products Inc., 3124 Valley Avenue, Winchester, Va. 22601. Publication date 1992.

Primary Examiner—Janice E. Seeger

Attorney, Agent, or Firm—Richard B. O'Planick; Lisa B. Riedesel

[57] **CLAIM**

The ornamental design for a stool, as shown and described.

DESCRIPTION

FIG. 1 is a top right front perspective view of a stool showing my new design;

FIG. 2 is a top plan view thereof;

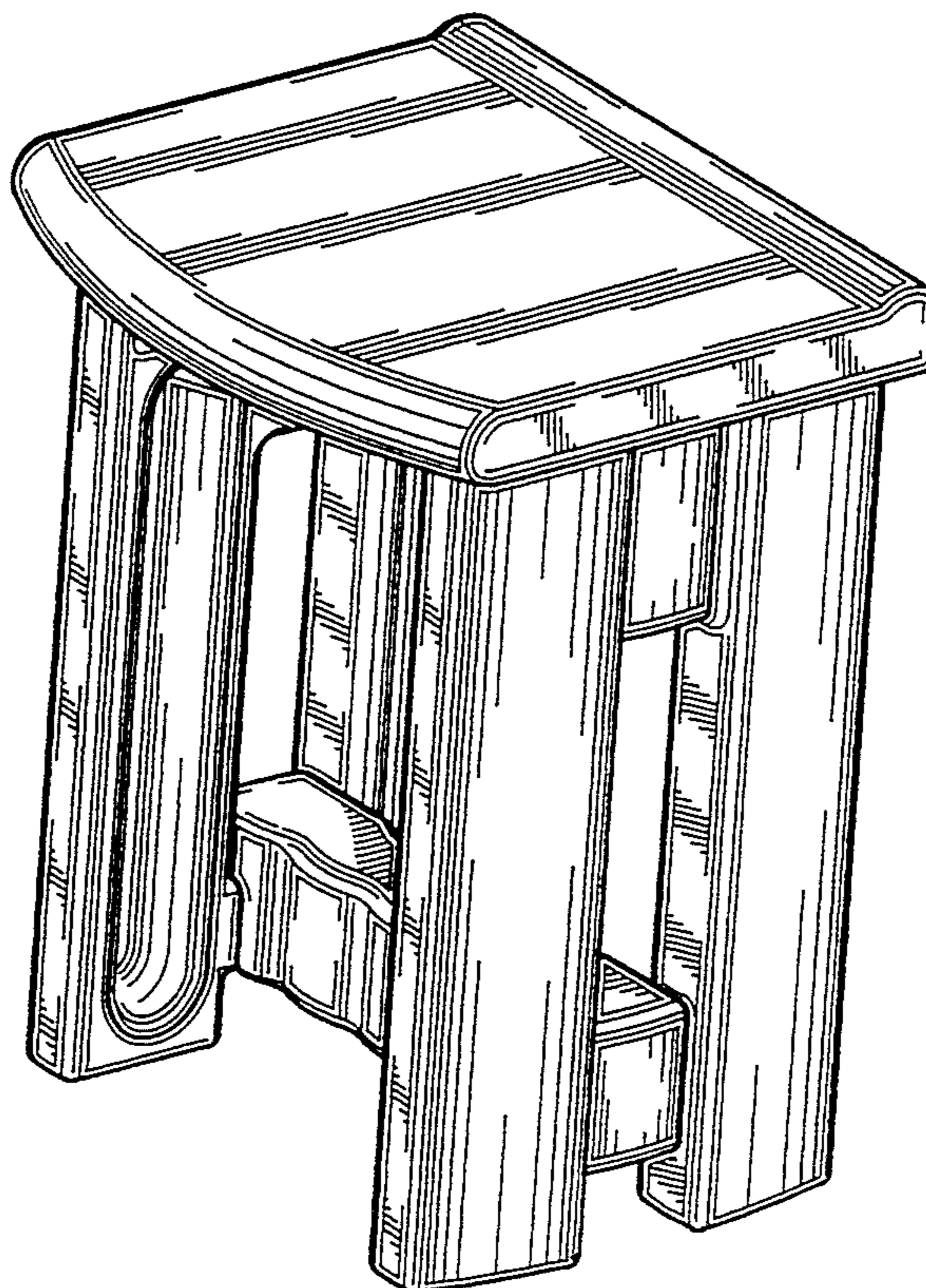
FIG. 3 is a front elevational view thereof;

FIG. 4 is a right side elevational view thereof; the left side elevational view being a mirror image;

FIG. 5 is a bottom plan view thereof; and,

FIG. 6 is a rear elevational view thereof.

FIG. 7 is a cross-sectional view taken through line 7—7 in FIG. 3.



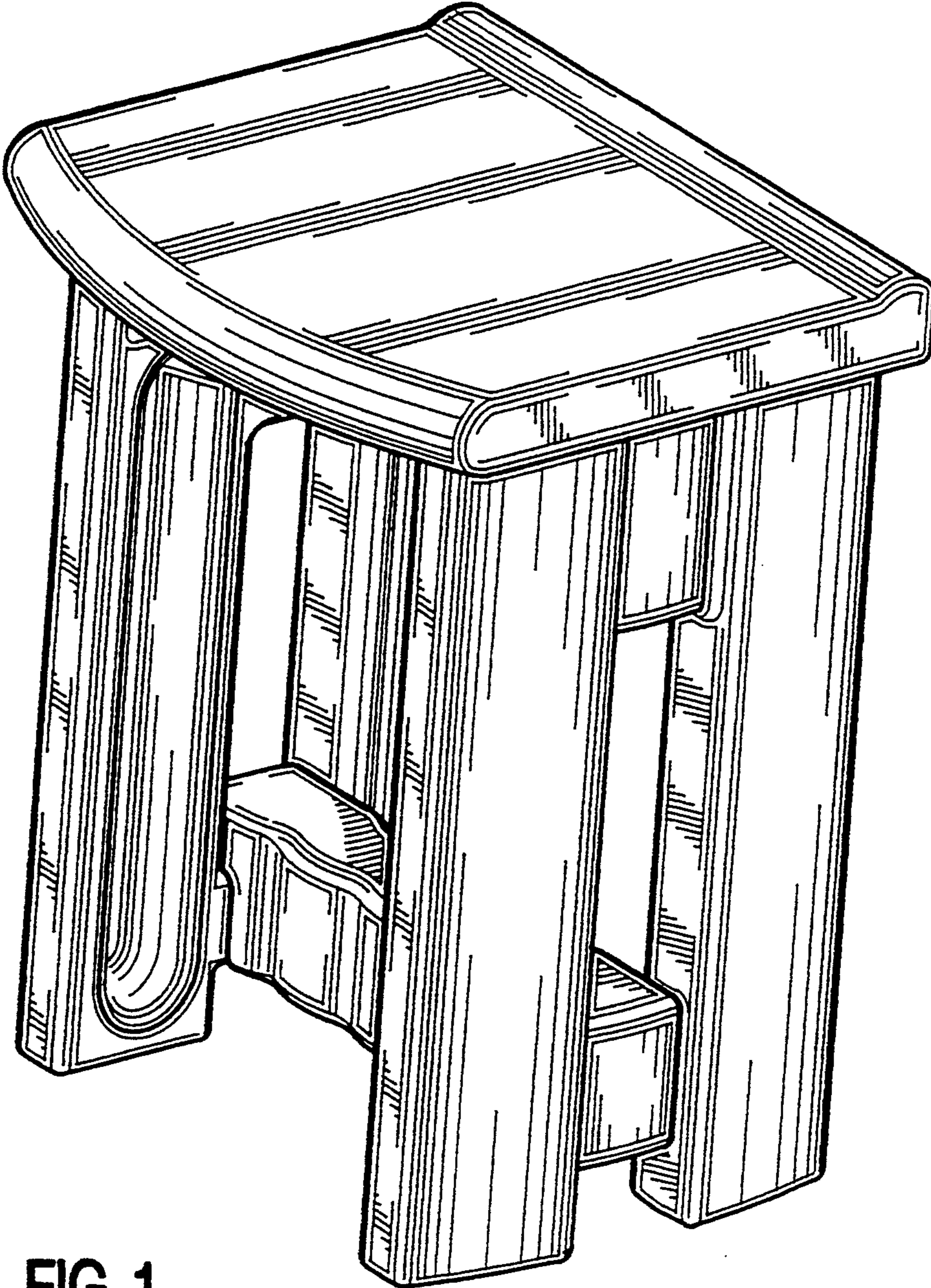


FIG. 1

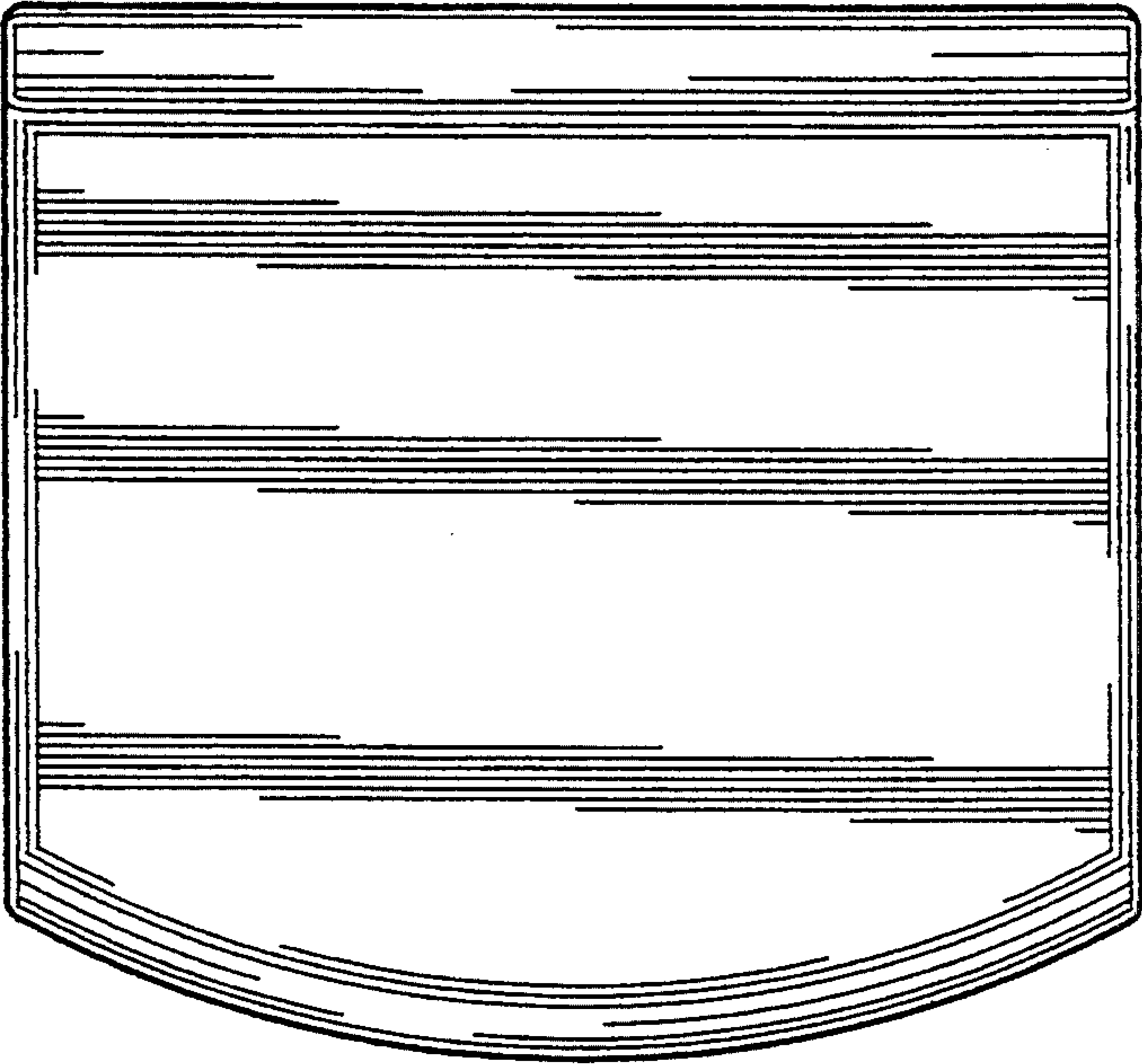


FIG. 2

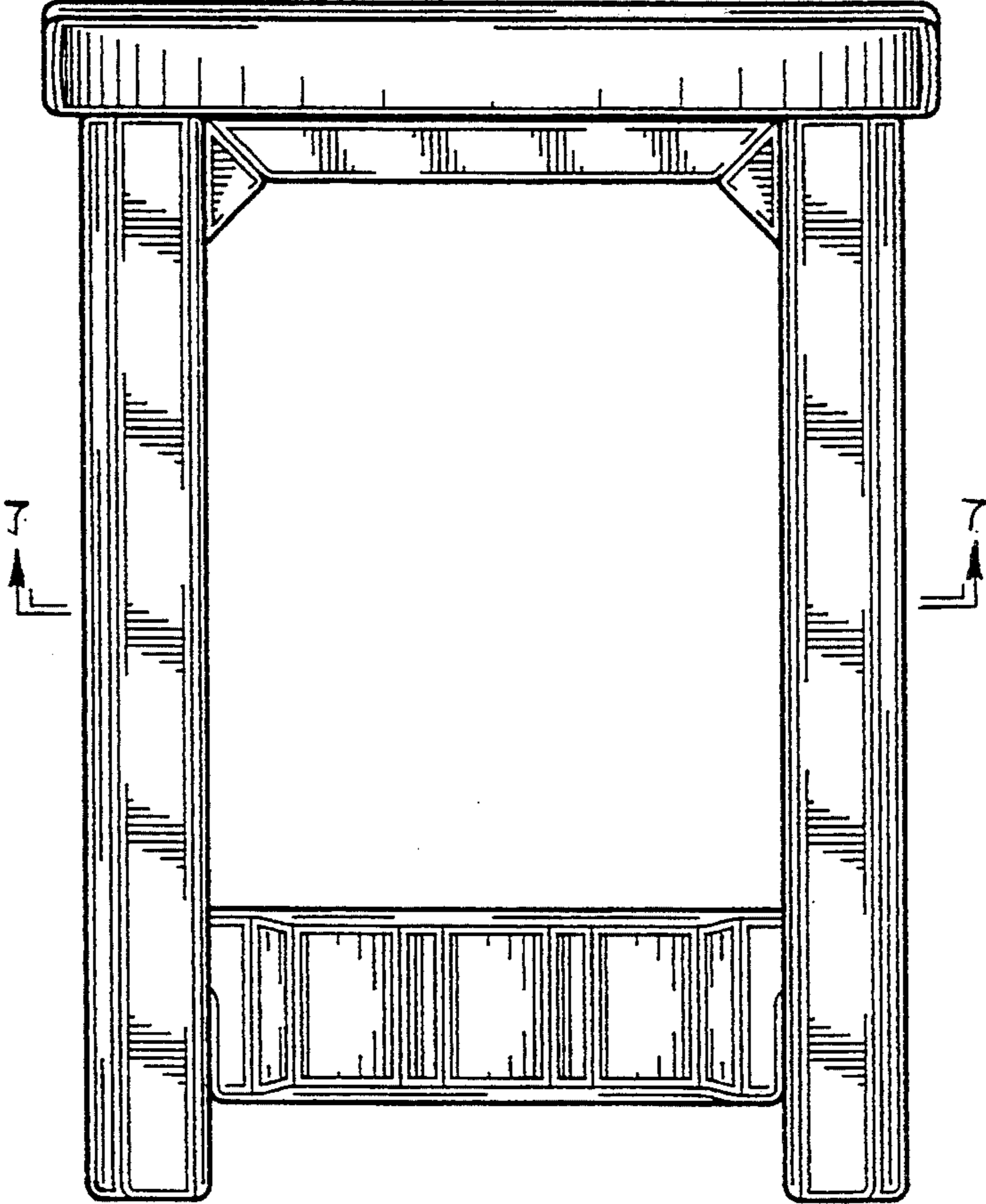


FIG. 3

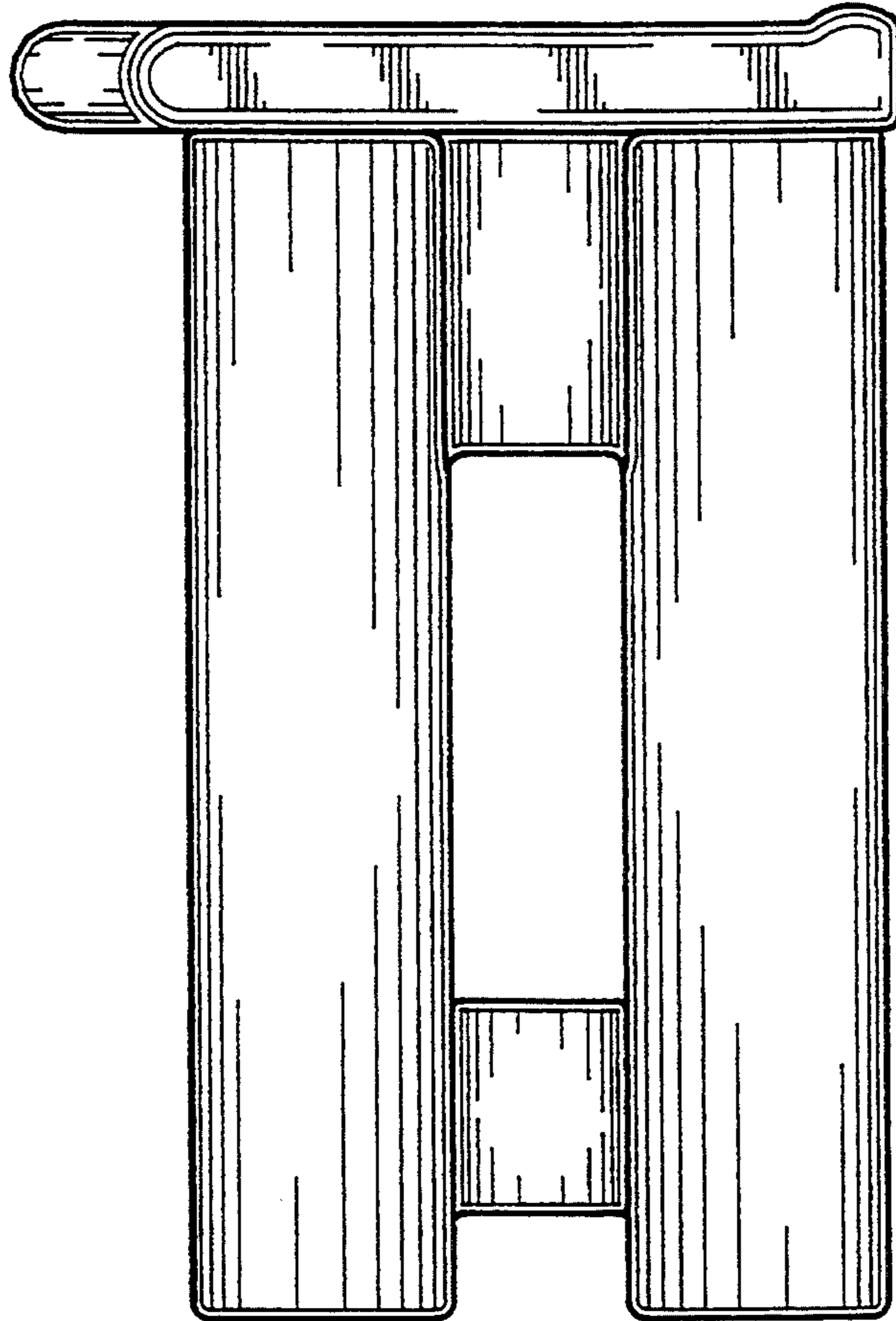


FIG. 4

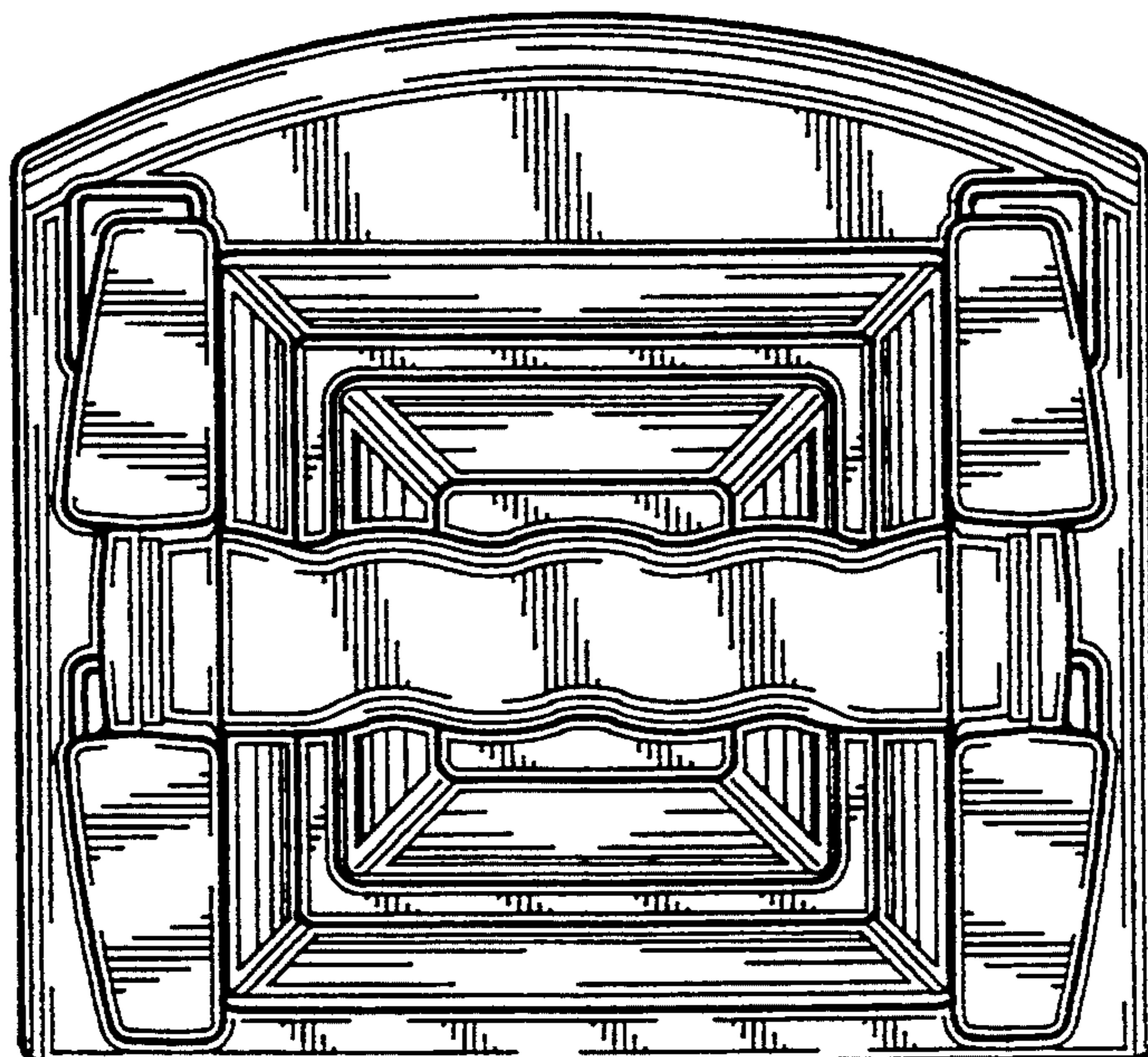


FIG. 5

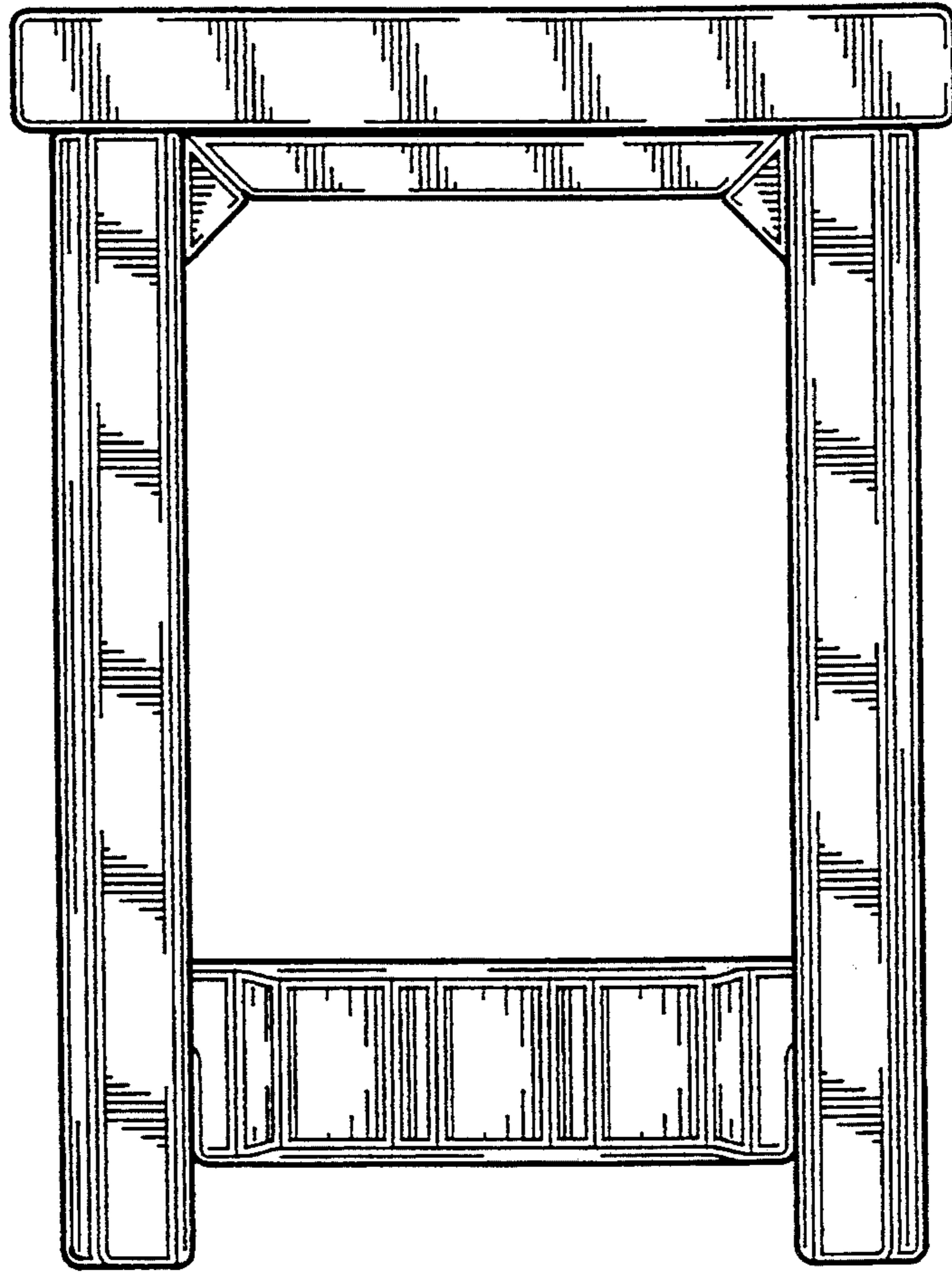


FIG. 6

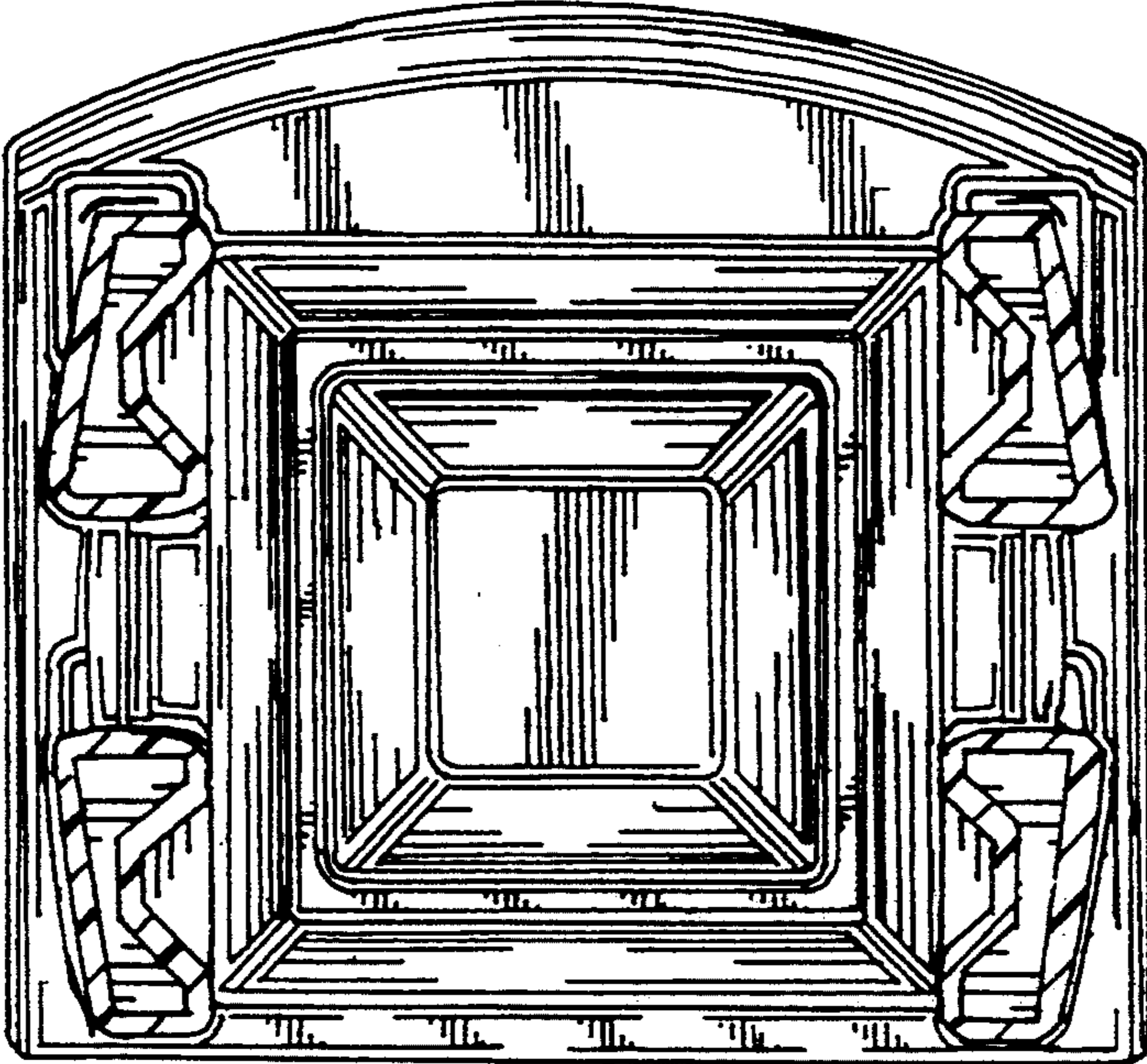


FIG. 7