



US00D361892S

United States Patent [19]

[11] Patent Number: **Des. 361,892**

Quaintance

[45] Date of Patent: **** Sep. 5, 1995**

[54] **POULTRY BOX**

| | | | | |
|-----------|---------|-----------|-------|-----------|
| 3,397,831 | 8/1968 | Adams | | 206/586 X |
| 3,918,630 | 11/1975 | Meyers | . | |
| 4,362,265 | 12/1982 | Williams | . | |
| 4,417,686 | 11/1983 | Wozniacki | . | |
| 4,792,084 | 2/1988 | Dreeszen | . | |

[75] Inventor: **Benjamin W. Quaintance,**
Germantown, Tenn.

[73] Assignee: **International Paper, Purchase, N.Y.**

[**] Term: **14 Years**

FOREIGN PATENT DOCUMENTS

| | | | | |
|---------|--------|--------|-------|-------------|
| 0850436 | 9/1939 | France | | 206/557 |
| 0009488 | 6/1992 | WIPO | | 220/DIG. 14 |

[21] Appl. No.: **18,683**

[22] Filed: **Feb. 14, 1994**

[52] U.S. Cl. **D3/305**

[58] Field of Search **D3/304, 305, 307-309,**
D3/314; D30/109; 206/586, 557; 217/36, 123;
224/906; 229/108, 120.01, 183, 198.3;
220/DIG. 14

Primary Examiner—Terry A. Wallace
Assistant Examiner—Richelle Shelton
Attorney, Agent, or Firm—Michael J. Doyle

[57] CLAIM

The ornamental design for a poultry box, as shown and described.

[56]

References Cited

U.S. PATENT DOCUMENTS

| | | | | |
|------------|---------|----------------------|-------|-----------|
| D. 4,359 | 9/1870 | Leslie | . | |
| D. 272,289 | 1/1984 | Segura Palenzuela | | D3/314 |
| 959,098 | 5/1910 | Adams | | 217/123 X |
| 1,623,715 | 4/1927 | Berkowitz | . | |
| 1,960,635 | 5/1934 | Kinkenon | . | |
| 2,000,158 | 5/1935 | Black et al. | | 206/586 |
| 2,660,363 | 11/1953 | Trickett, Jr. et al. | . | |

DESCRIPTION

FIG. 1 is a top perspective view of poultry box showing my new design;
FIG. 2 is a top plan view;
FIG. 3 is a bottom plan view;
FIG. 4 is a side elevational view, both side elevational views being identical; and,
FIG. 5 is an end elevational view, both and elevational views being identical.

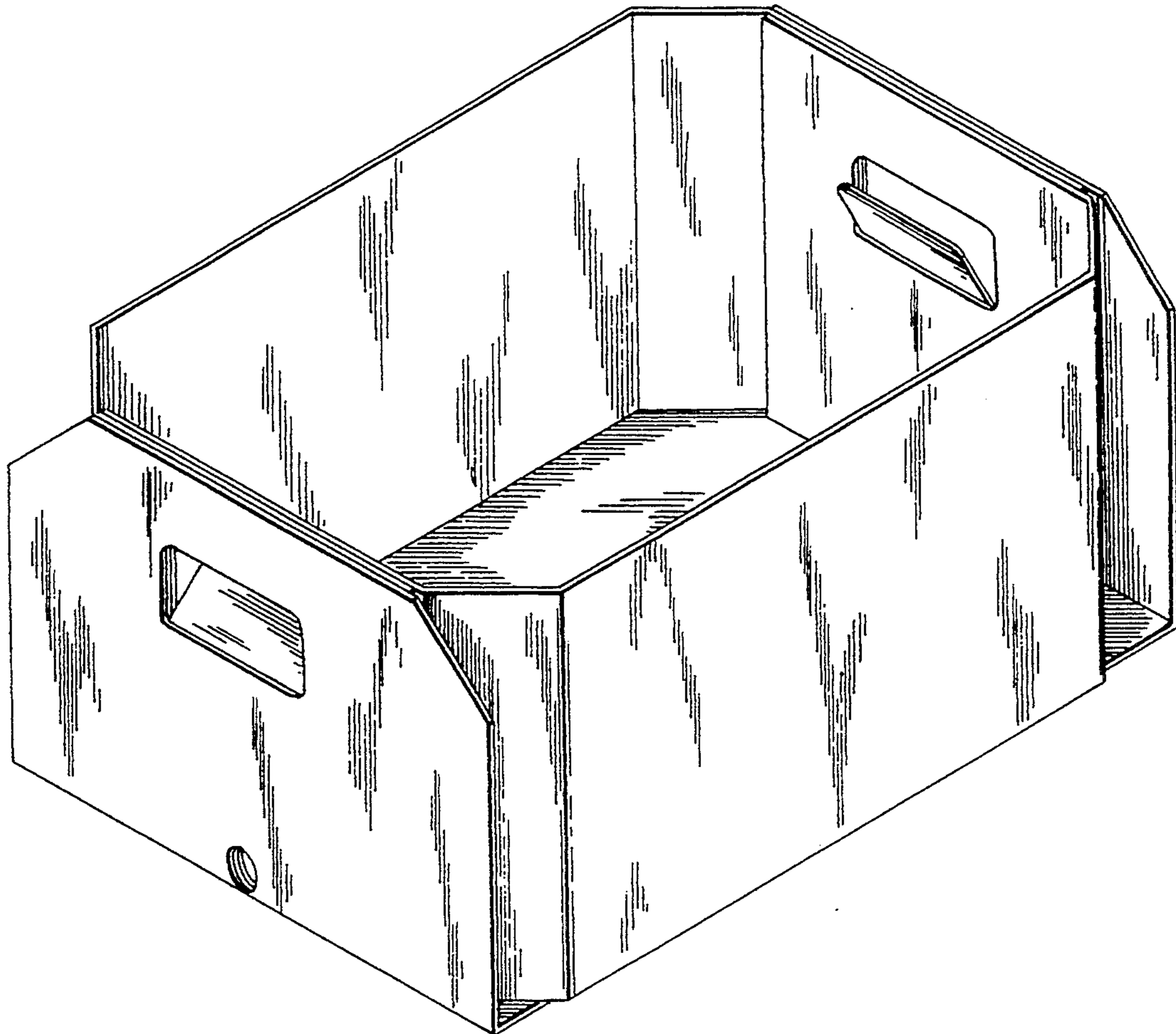


FIG. 1

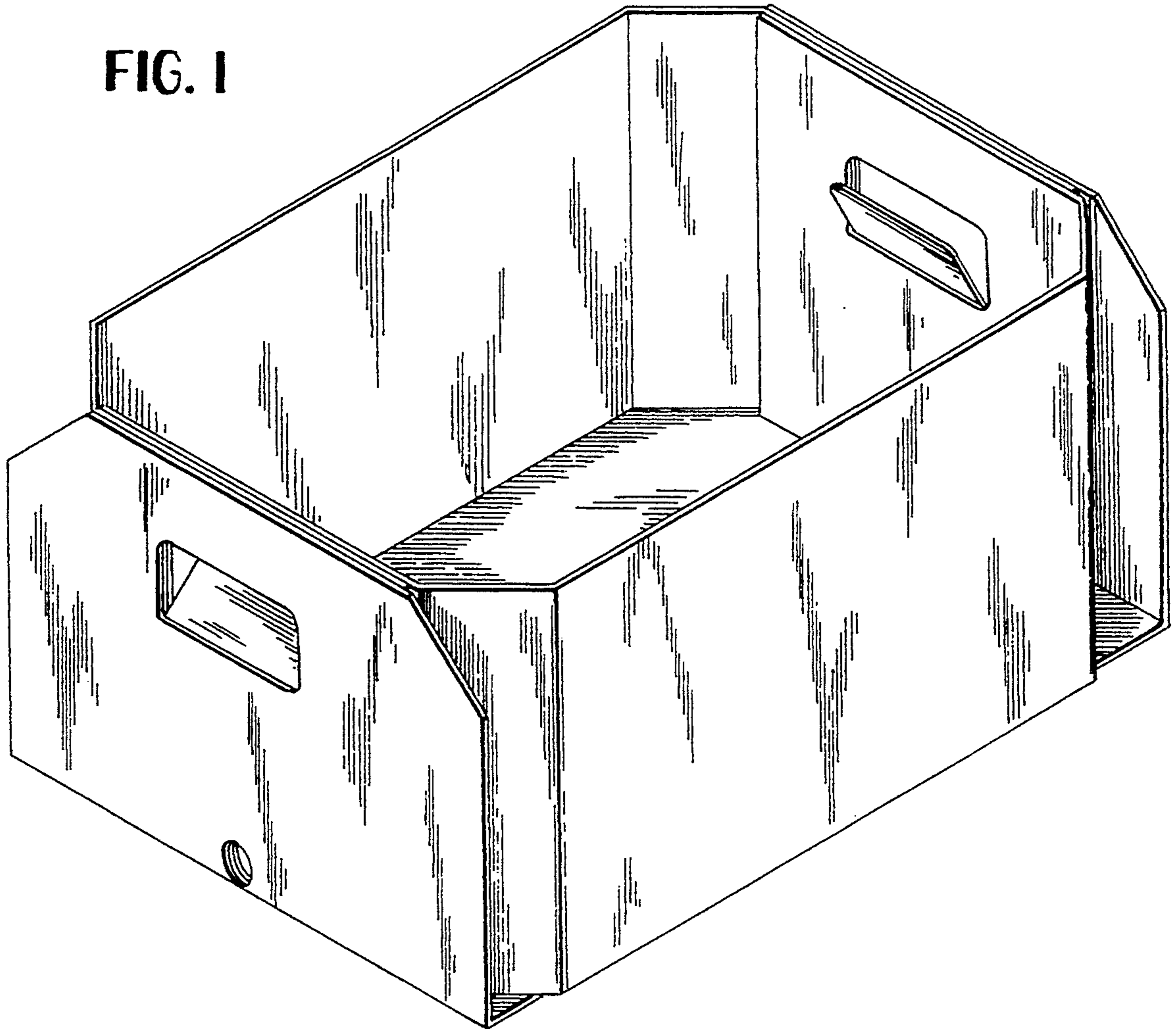


FIG. 2

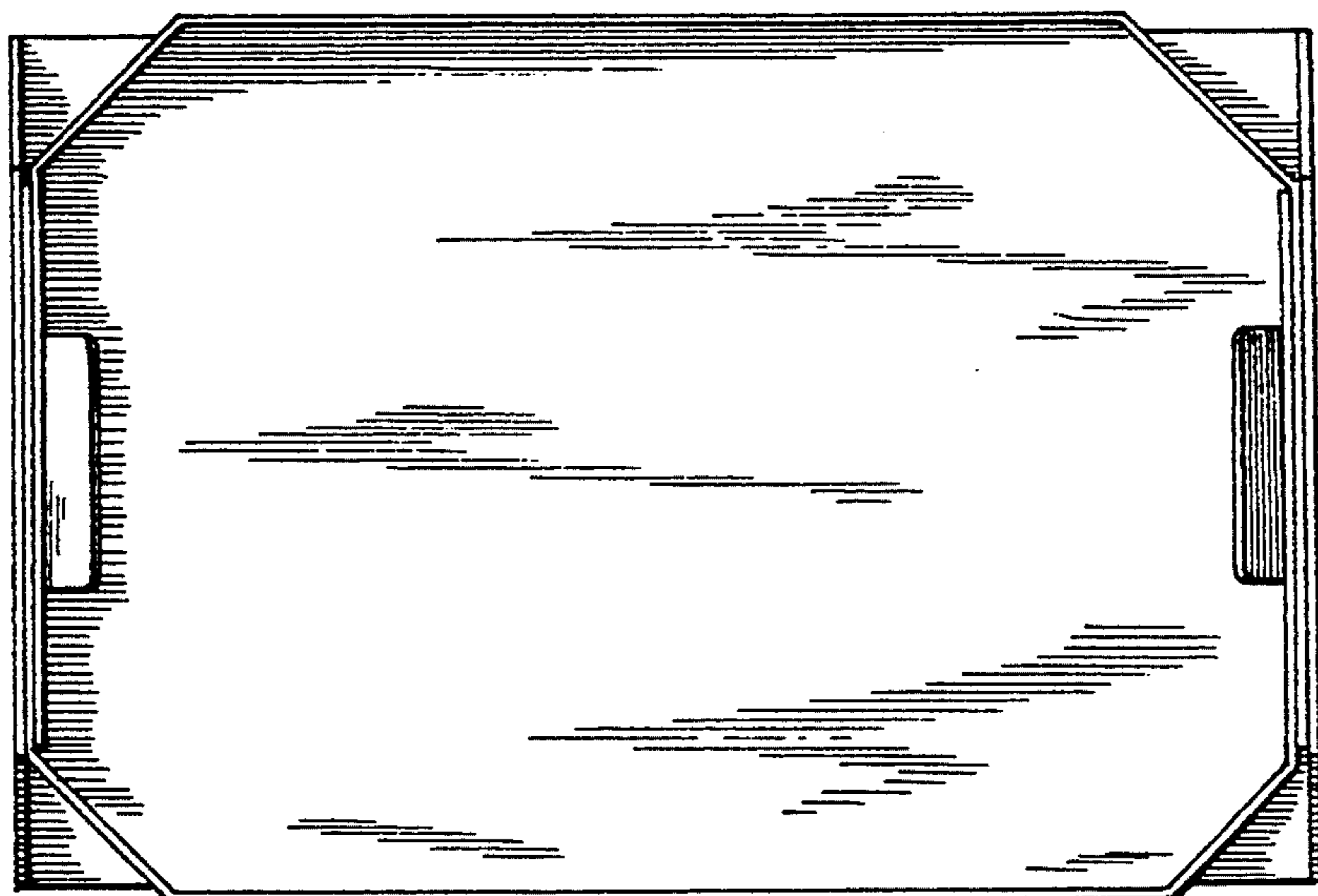


FIG. 3

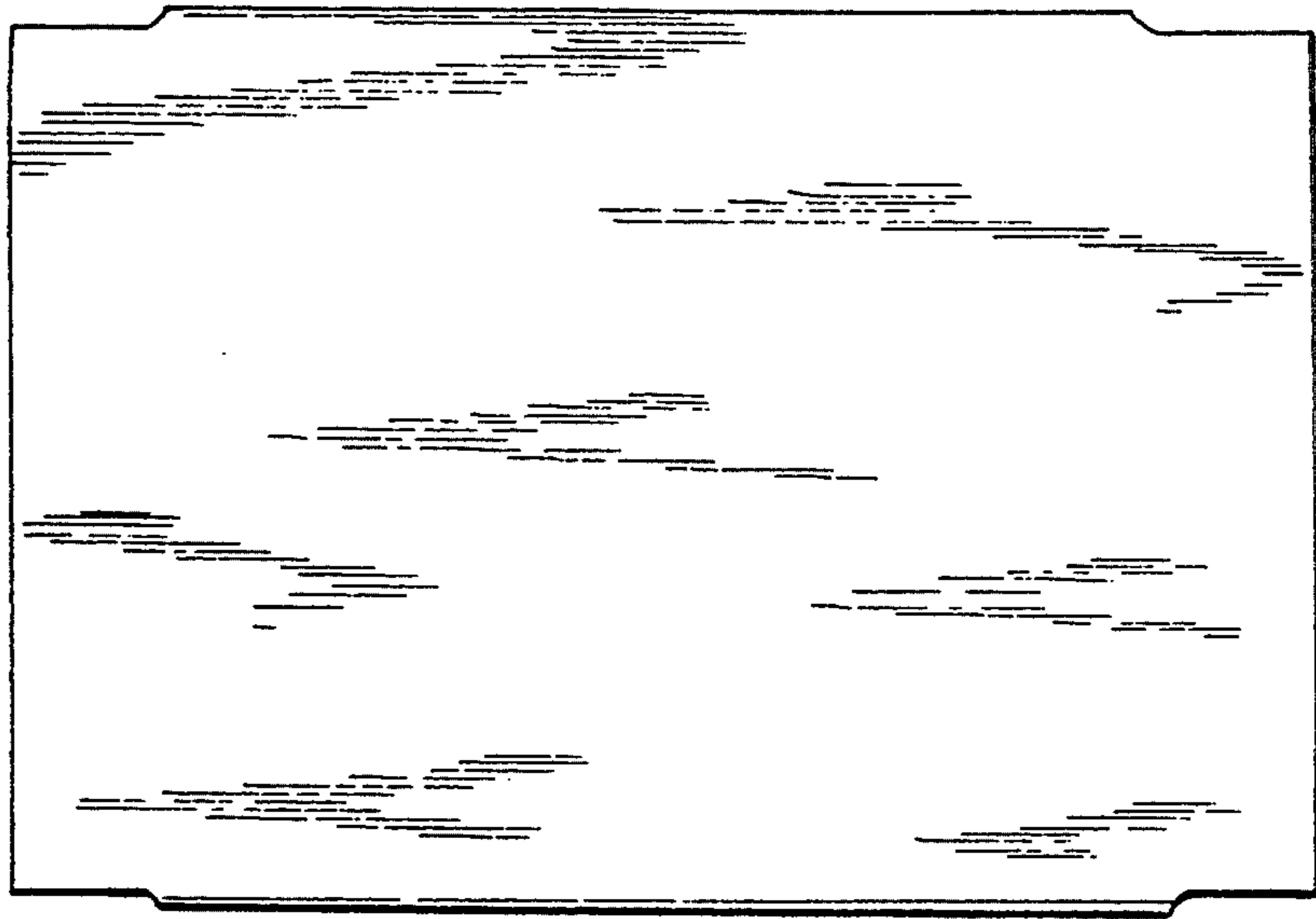


FIG. 4

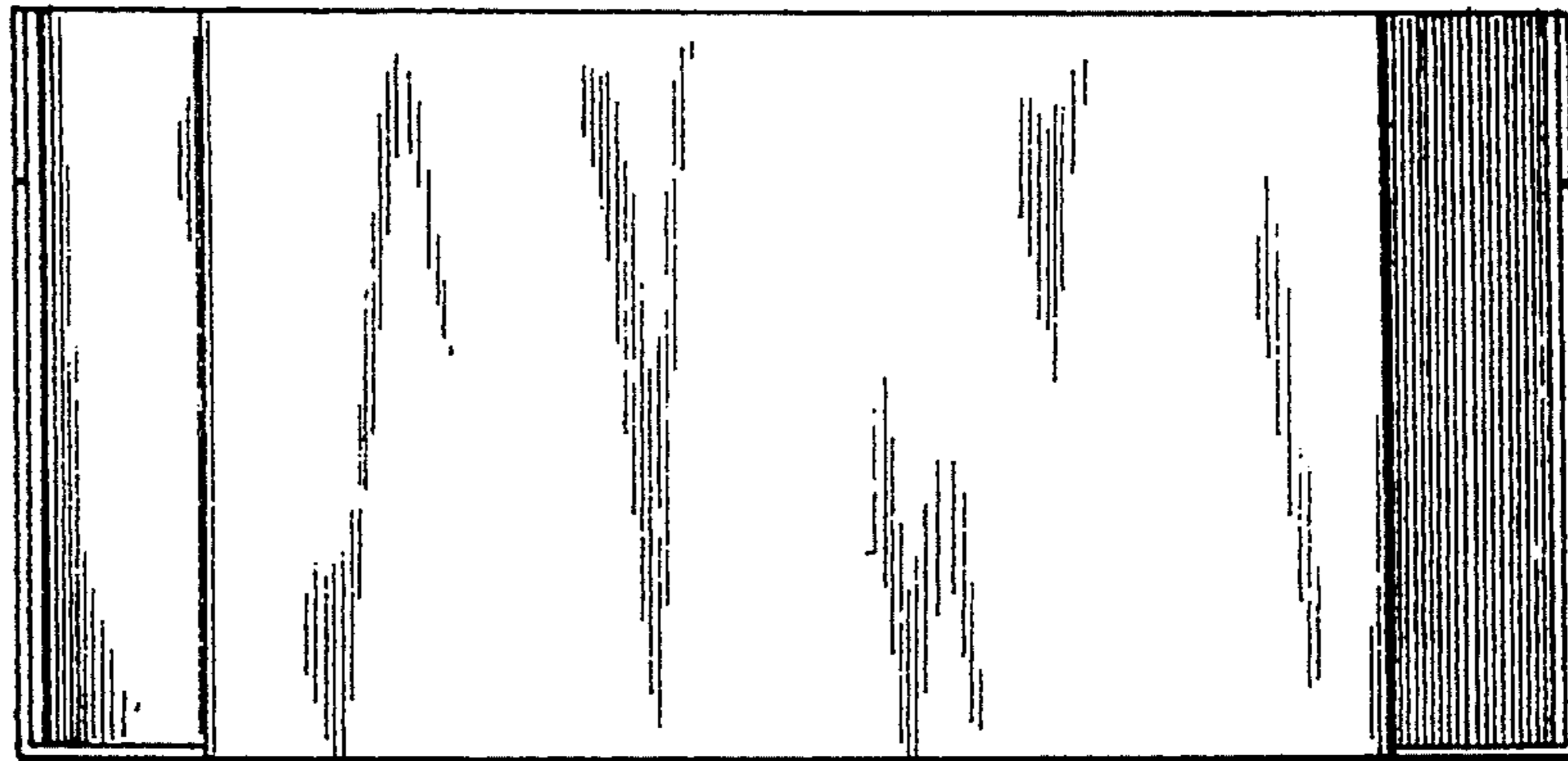


FIG. 5

