



US00D361888S

# United States Patent [19]

[11] Patent Number: **Des. 361,888**

**Kahl et al.**

[45] Date of Patent: **\*\* Sep. 5, 1995**

[54] **FRONT ACCESS TACKLE BOX**  
 [75] Inventors: **W. Henry Kahl, Wooster; John Koenig, Columbus, both of Ohio**  
 [73] Assignee: **Rubbermaid Specialty Products Inc., Wooster, Ohio**  
 [\*\*] Term: **14 Years**  
 [21] Appl. No.: **10,017**  
 [22] Filed: **Jun. 28, 1993**  
 [52] U.S. Cl. .... **D3/260; D3/905**  
 [58] Field of Search ..... **D3/905, 260, 254, 281, D3/282, 291, 292, 294, 276; 206/315.11, 314; 190/114; 43/57.1, 54.1**

3,606,005 9/1971 Meksula .  
 3,606,511 9/1971 Henning et al. .  
 3,628,843 12/1971 Wynne et al. .  
 3,948,579 4/1976 Schirmer .  
 3,967,869 7/1976 Jackson .  
 3,985,409 10/1976 Kneier .  
 4,023,304 5/1977 Singer .  
 4,085,987 4/1978 Vartdal ..... 312/269  
 4,118,086 10/1978 Kneier ..... 312/270  
 4,139,096 2/1979 Sieger ..... 206/315.11  
 4,240,222 12/1980 Covington .  
 4,474,291 10/1984 Fortson ..... 206/315.11  
 4,589,546 5/1986 Sunderland ..... 206/315.11  
 4,691,470 9/1987 Landell et al. .... 43/55  
 4,729,474 3/1988 Lanius et al. .... 206/315.11  
 4,739,577 4/1988 Lanius ..... 43/54.1  
 4,768,651 9/1988 Lanius ..... 206/315.11  
 4,782,619 11/1988 Richards ..... 43/54.1  
 4,784,304 11/1988 Schweitzer ..... 224/202  
 4,892,241 1/1990 Mavrakis ..... 224/216  
 4,958,730 9/1990 Bunten ..... 206/315  
 4,984,687 1/1991 Hanna et al. .... 206/373  
 5,238,142 8/1993 Hanna et al. .... 220/772

[56] **References Cited**  
**U.S. PATENT DOCUMENTS**

D. 158,368 5/1950 Fetts et al. .  
 D. 161,866 2/1951 Peterson .  
 D. 218,266 8/1970 Belskin .  
 D. 246,071 10/1977 Landell et al. .  
 D. 246,139 10/1977 Landell et al. .  
 D. 246,548 11/1977 Uyeda ..... D3/905  
 D. 284,422 7/1986 Pomaville .  
 D. 299,586 1/1989 Lanius .  
 D. 306,936 4/1990 McMillan et al. .  
 D. 308,915 7/1990 Lanius .  
 D. 320,504 10/1991 Mroczka .  
 D. 322,164 12/1991 Hanna et al. .  
 D. 325,672 4/1992 Baker .  
 D. 328,818 8/1992 Hanna et al. .  
 D. 328,819 8/1992 Hanna et al. .  
 1,882,756 10/1932 Boynton .  
 2,299,375 10/1942 Bruske .  
 2,673,783 3/1954 Rahm et al. .... 312/312  
 2,723,175 11/1955 Berry ..... 312/269  
 2,936,066 5/1960 Meksula .  
 3,047,349 7/1962 Powell ..... 312/287  
 3,050,356 8/1962 Messmer ..... 312/201  
 3,182,872 5/1965 Brosseau .  
 3,251,638 5/1966 Schwartz .  
 3,301,619 1/1967 Mead .  
 3,310,905 3/1967 Davis et al. .  
 3,330,608 7/1967 Druger .  
 3,346,733 10/1967 Woolworth .  
 3,399,939 9/1968 Anderson .  
 3,410,018 11/1968 Woolworth .  
 3,481,066 12/1969 Woolworth .  
 3,490,169 1/1970 Tweed .  
 3,493,102 2/1970 Belokin, Jr. .  
 3,600,840 8/1971 Meyer .

### OTHER PUBLICATIONS

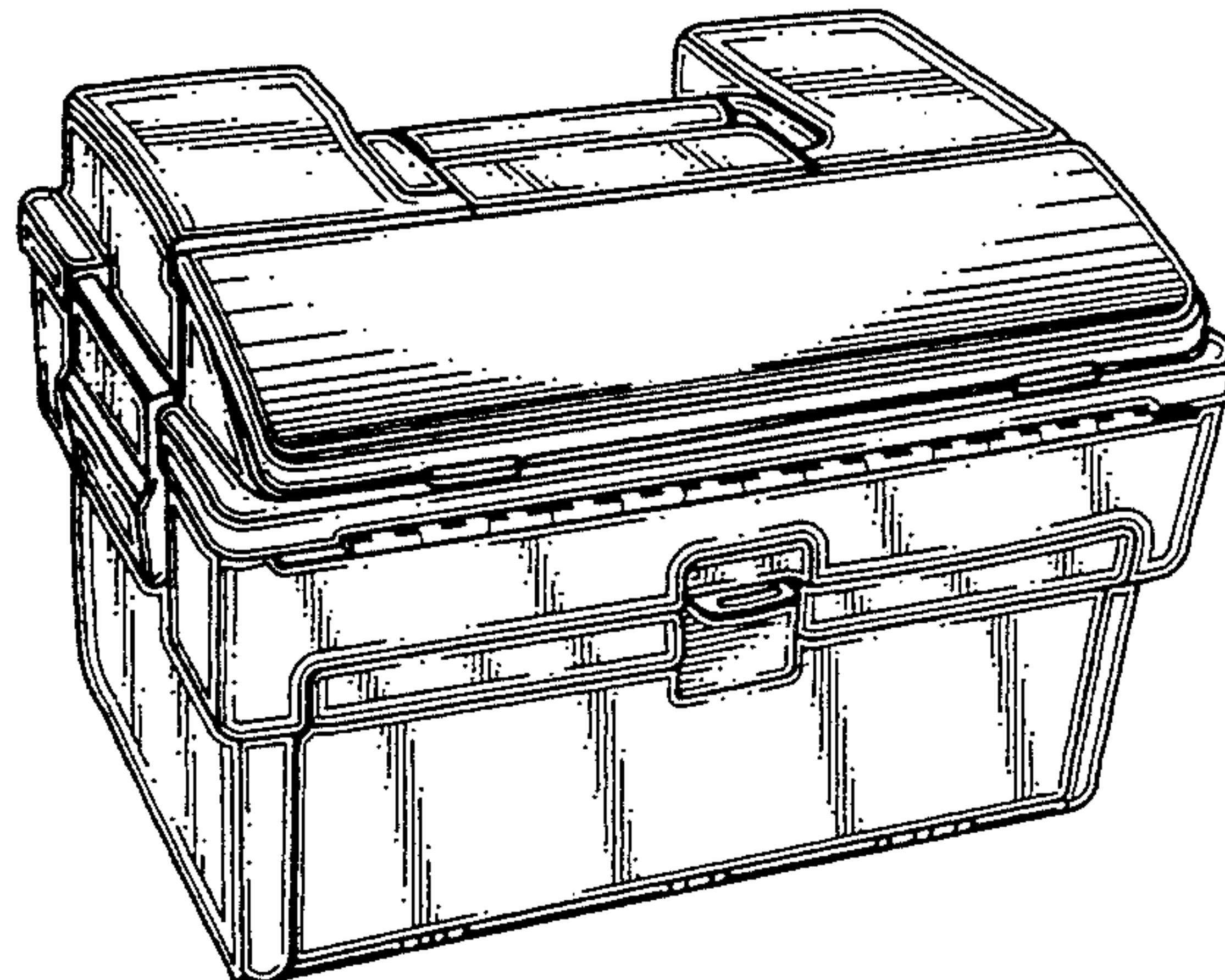
Pp. 2-5, Tackle Boxes; Woodstream, Ekco Canada, Inc., P.O. Box 210, Niagara Falls, Ontario, L2E 6T3. Publication Date 1992.  
 Pp. 2, 4, 5, 7, 8, 9, 11, 13, 14, 15, 17, 18, 19 and 20, Tackle boxes; Plano Molding Company, 431 East South Street, Plano, Ill. 60545-1601. Publication date 1993.  
 Pp. 2-19 and 22, Tackle boxes; Flambeau Products Corporation, 15981 Valplast Road, Middlefield, Ohio 44062. Publication date 1992.  
*Primary Examiner*—Doris V. Coles  
*Attorney, Agent, or Firm*—Richard B. O'Planick; Lisa B. Riedesel

### CLAIM

[57] The ornamental design for a front access tackle box, as shown and described.

### DESCRIPTION

FIG. 1 is a top left front perspective view of a front access tackle box showing our new design; FIG. 2 is a front elevational view thereof; FIG. 3 is a right side elevational view thereof; the left side elevational view being a mirror image; FIG. 4 is a rear elevational view thereof; FIG. 5 is a top plan view thereof; and, FIG. 6 is a bottom plan view thereof.



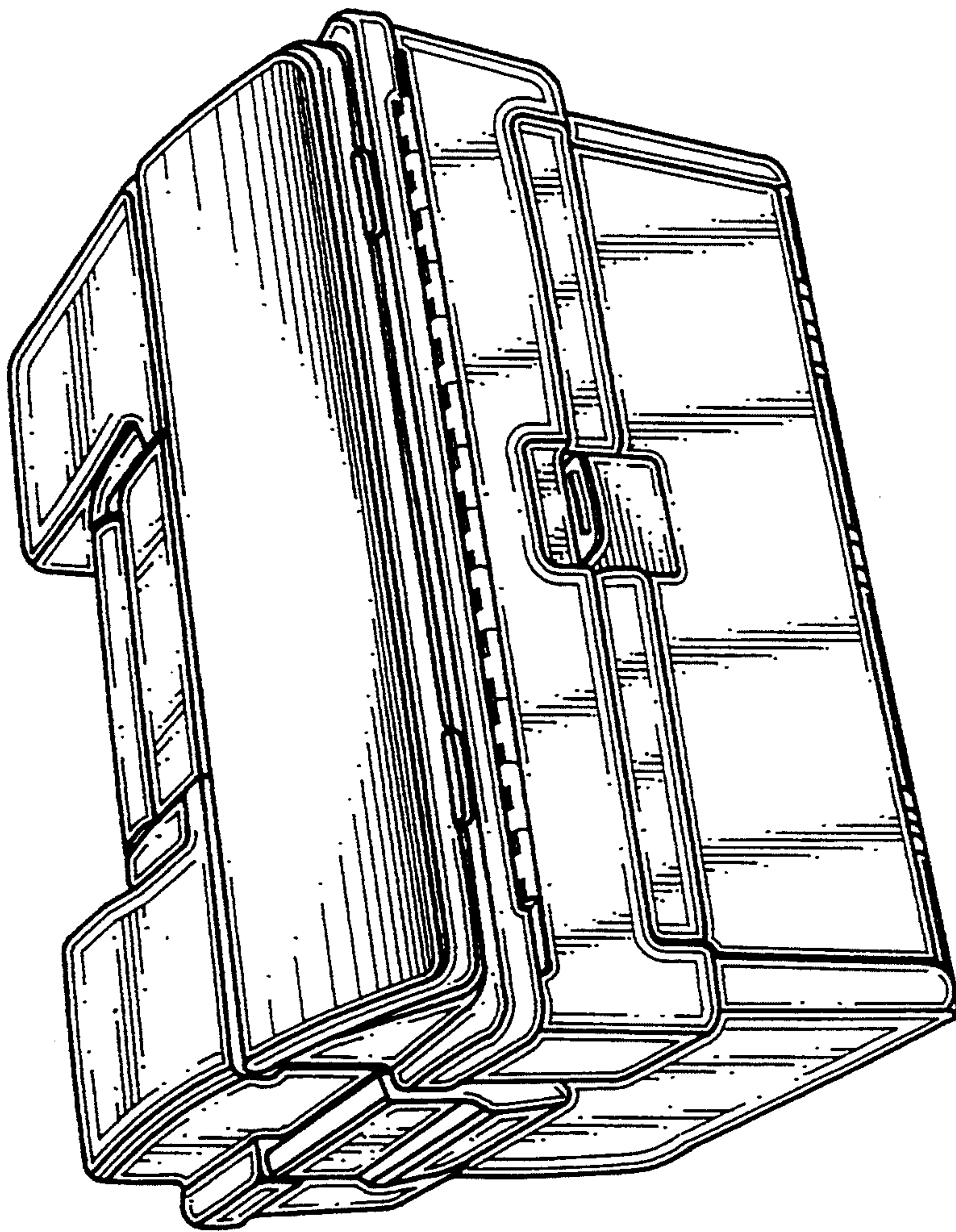


FIG. 1



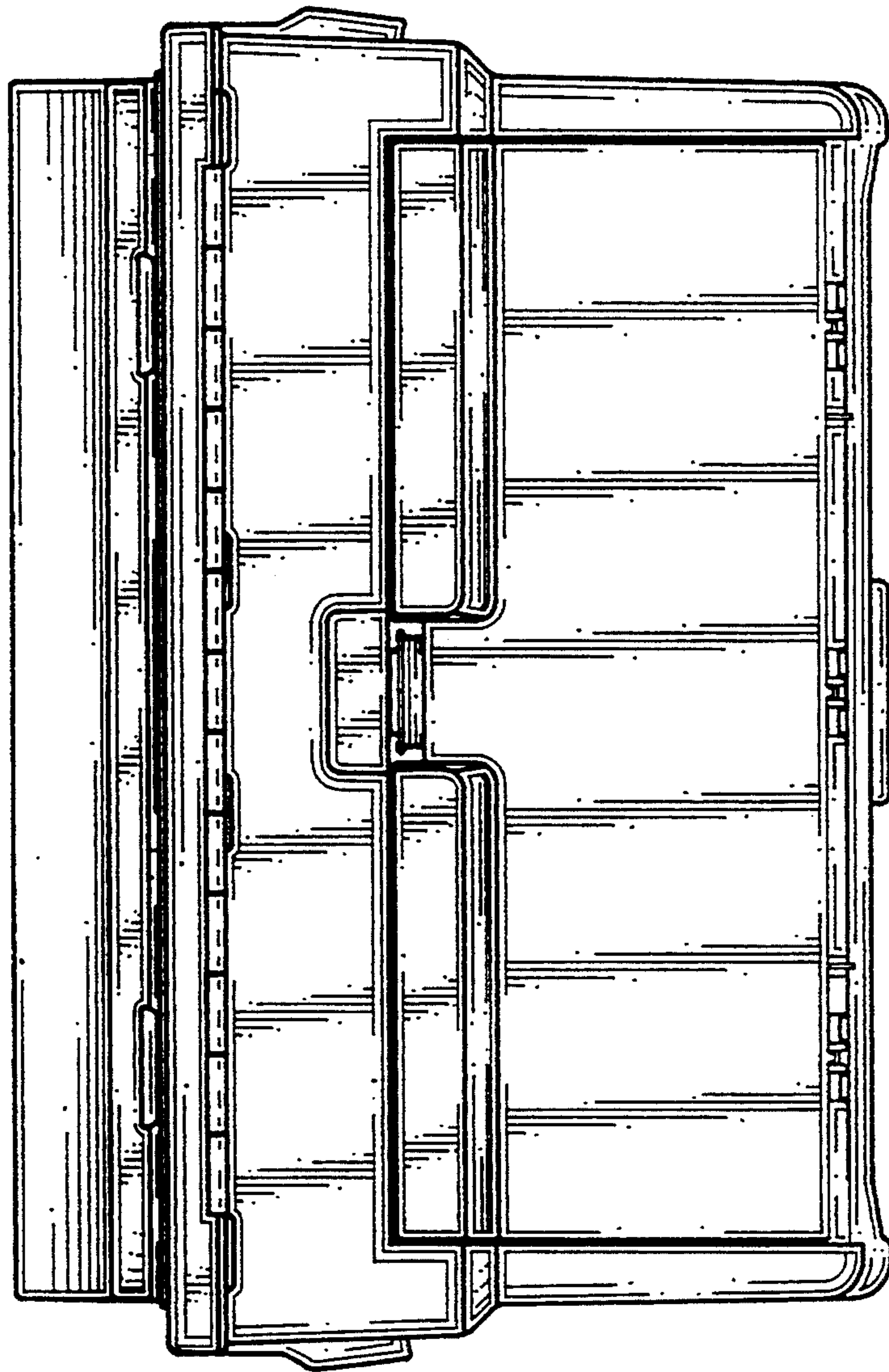


FIG. 2

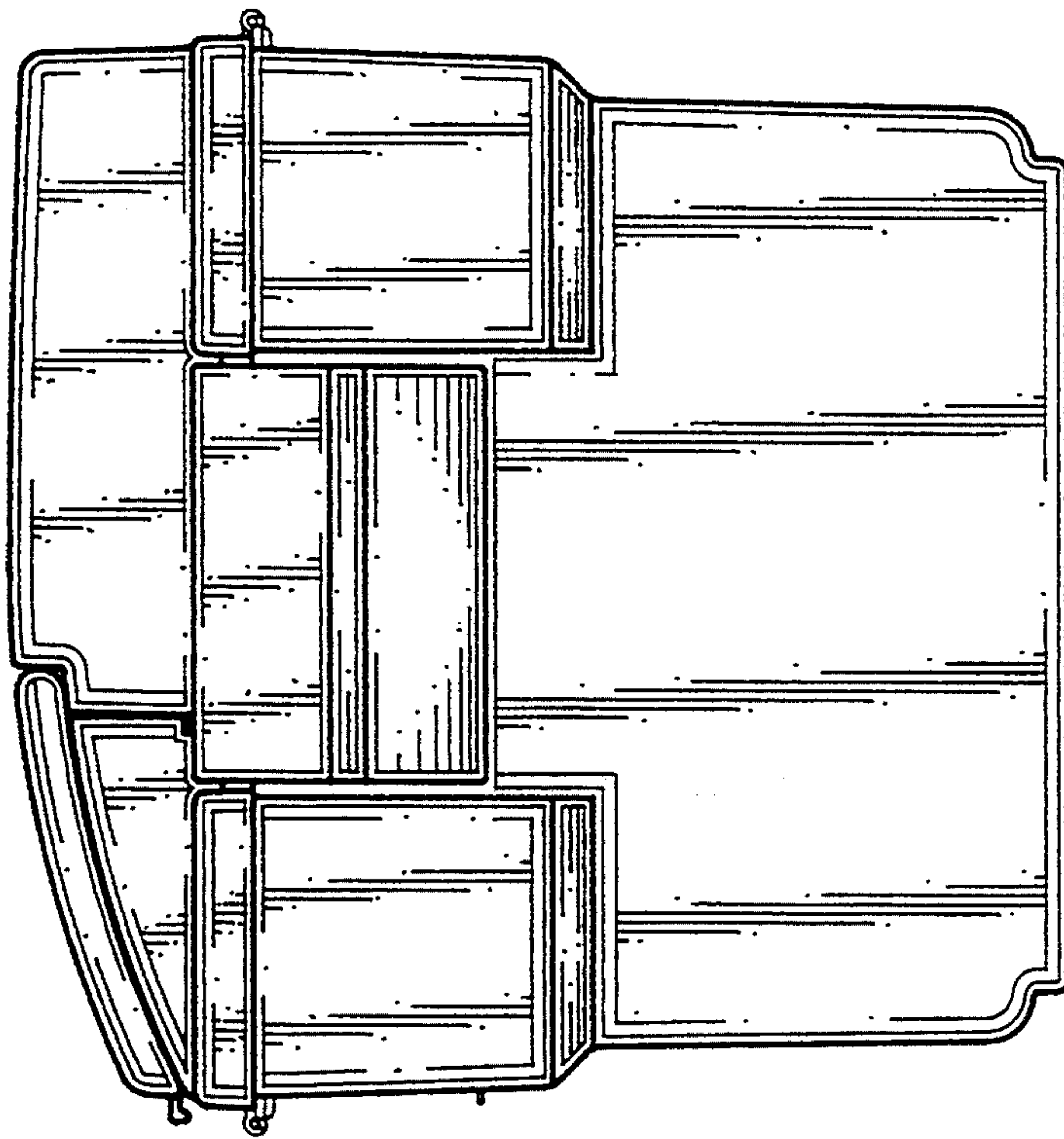


FIG. 3

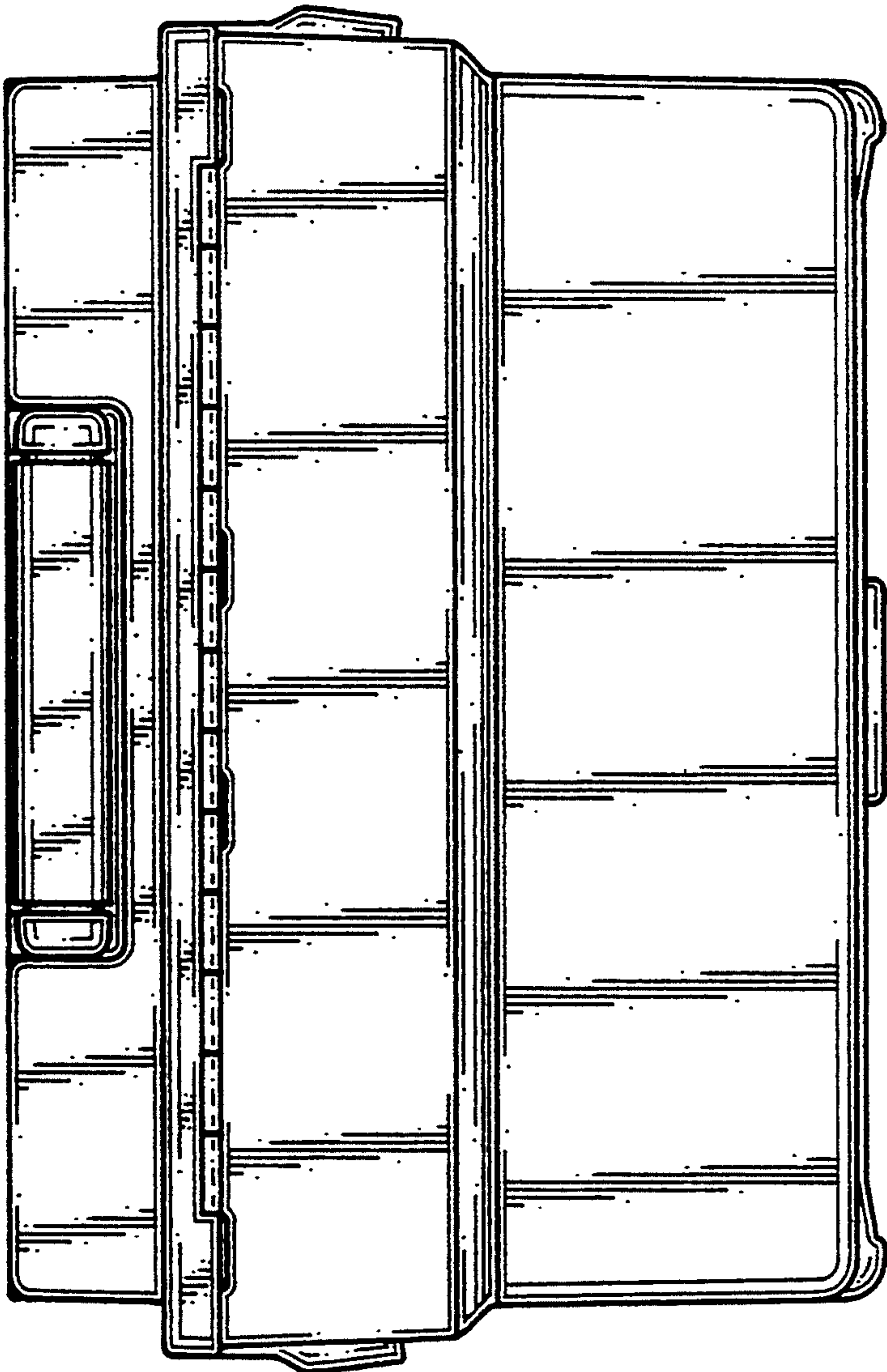


FIG. 4

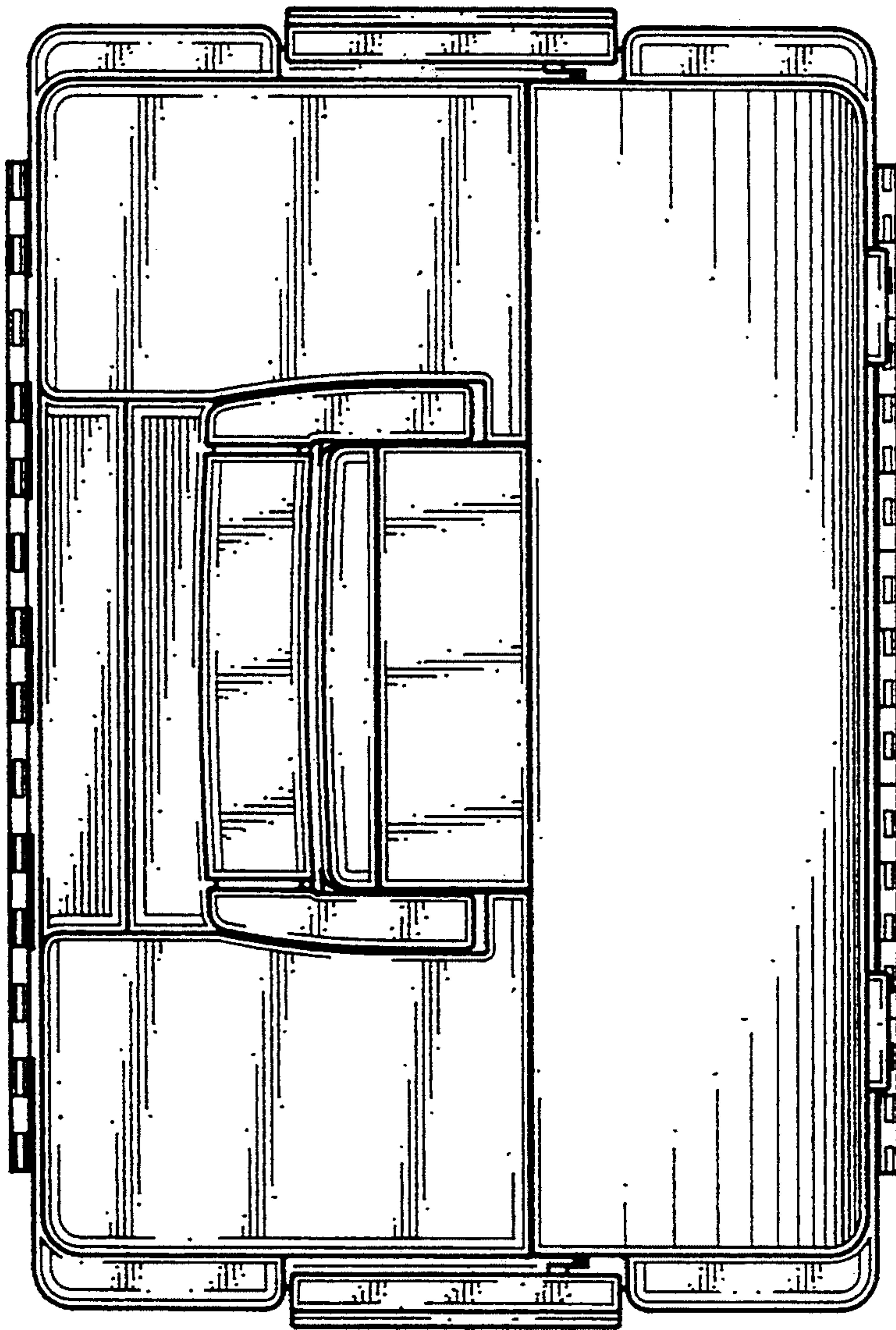


FIG. 5



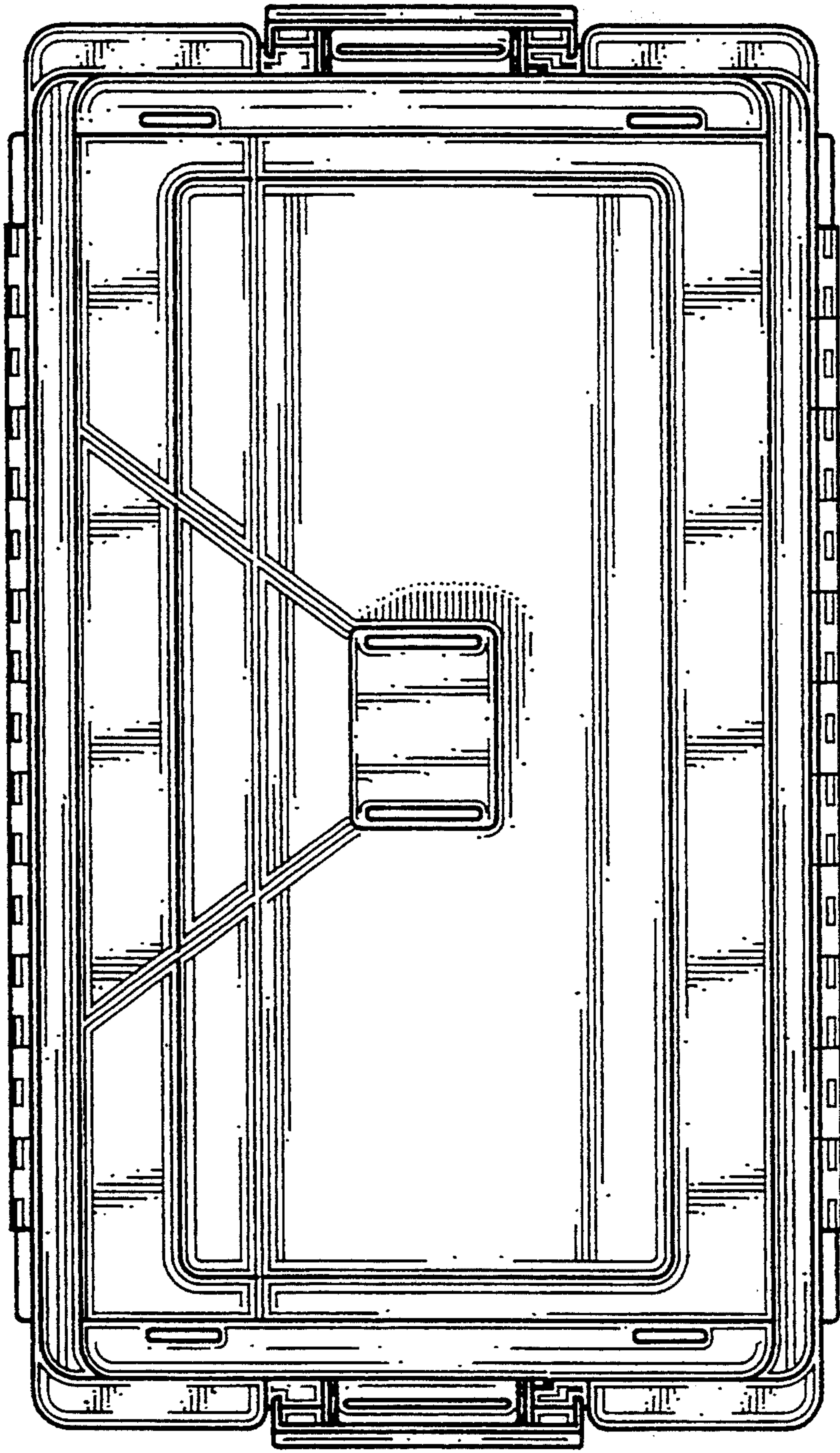


FIG. 6